



US00D651591S

(12) **United States Design Patent**
Hunter et al.

(10) **Patent No.:** **US D651,591 S**
(45) **Date of Patent:** **** Jan. 3, 2012**

(54) **COMBINATION RFID HOLDER AND RFID TAG**

(75) Inventors: **Scott Hunter**, Arlington, TX (US);
Brian Christopher Witkowski,
Weatherford, TX (US); **Nadiya V. Fuller**,
Plano, TX (US)

(73) Assignee: **S.P.M. Flow Control, Inc.**, Fort Worth,
TX (US)

(**) Term: **14 Years**

(21) Appl. No.: **29/393,452**

(22) Filed: **Jun. 3, 2011**

(51) **LOC (9) Cl.** **14-03**

(52) **U.S. Cl.** **D14/230; D14/238**

(58) **Field of Classification Search** D14/354,
D14/230–238, 299, 358; D6/495; 343/700 R,
343/878–892; 455/90.2, 90.3, 91, 128, 269,
455/344, 347, 562.1, 561; D16/242

See application file for complete search history.

(56) **References Cited**

U.S. PATENT DOCUMENTS

2,007,203	A *	7/1935	Kraeft	429/97
2,191,782	A *	2/1940	Valane	248/229.26
D326,927	S *	6/1992	Catalina	D26/138
D354,677	S *	1/1995	Troyer	D8/396
D371,370	S *	7/1996	Fenton et al.	D14/238
D406,590	S *	3/1999	Heiligenstein et al.	D14/230
D408,269	S *	4/1999	Ross	D8/356
D527,378	S *	8/2006	Raymond et al.	D14/230
D535,982	S *	1/2007	Inoue	D14/230

OTHER PUBLICATIONS

U.S. Appl. No. 29/393,454, filed Jun. 3, 2011.
U.S. Appl. No. 29/393,453, filed Jun. 3, 2011.
U.S. Appl. No. 61/493,282, filed Jun. 3, 2011.
U.S. Appl. No. 61/493,274, filed Jun. 3, 2011.
U.S. Appl. No. 61/493,278, filed Jun. 3, 2011.
E&P Aug. 2010, "New wireless solution improves visibility, value, safety" Terence Leung, p. 20.
TROI-Home, <http://www.troirfid.com>, last visited Jul. 12, 2011.
PC-102-Dome specification sheet, available at http://troirfid.com/yahoo_site_admin/assets/docs/PC-102_Dome.277173131.xls, last visited Jul. 12, 2011.

* cited by examiner

Primary Examiner — Celia A. Murphy
Assistant Examiner — John Windmuller

(74) *Attorney, Agent, or Firm* — Bracewell & Giuliani LLP

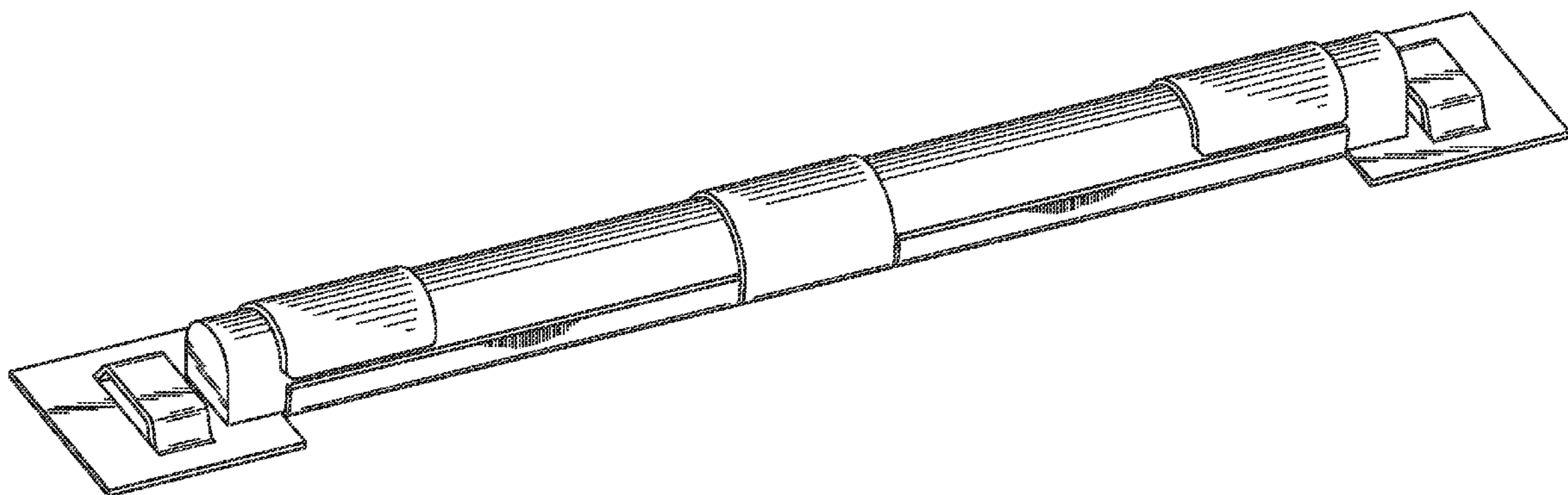
(57) **CLAIM**

The ornamental design for a combination RFID holder and RFID tag, as shown and described.

DESCRIPTION

FIG. 1 is a perspective view of the front, top, and left side of the combination RFID holder and RFID tag showing an embodiment of the design of our invention; FIG. 2 is a right side view of the combination RFID holder and RFID tag of FIG. 1. FIG. 3 is a top view of the combination RFID holder and RFID tag of FIG. 1; and, FIG. 4 is a front elevation view of the combination RFID holder and RFID tag of FIG. 1.

1 Claim, 2 Drawing Sheets



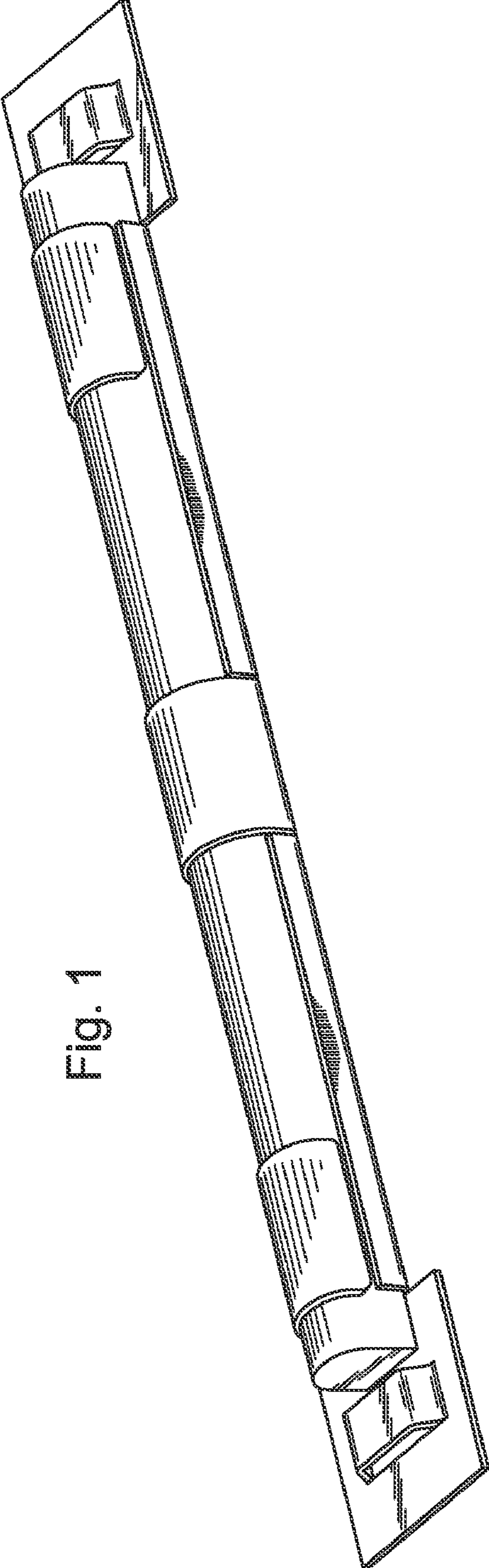


Fig. 1

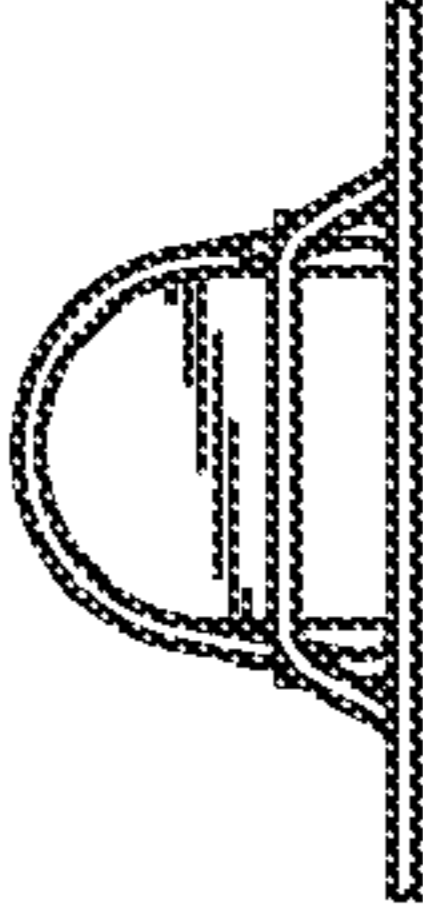


Fig. 2

Fig. 3

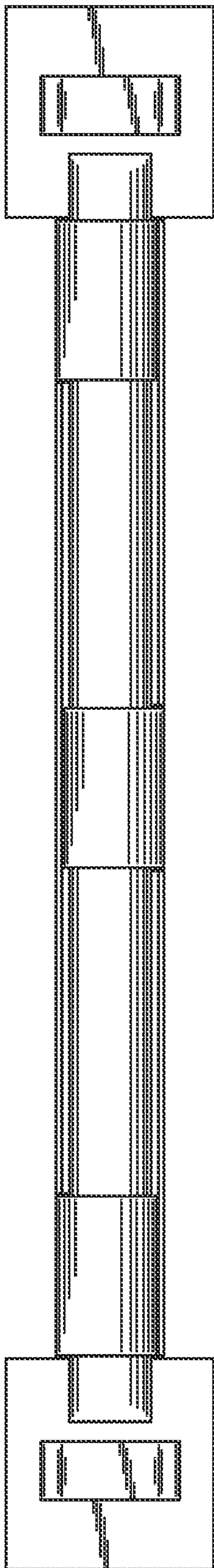


Fig. 4

