



US00D651590S

(12) **United States Design Patent**
Kang et al.

(10) **Patent No.:** **US D651,590 S**
(45) **Date of Patent:** **** Jan. 3, 2012**

(54) **BLUETOOTH CAR KIT FOR MOBILE PHONE**

(75) Inventors: **Young Soo Kang**, Seoul (KR); **Won Sang Choi**, Gyeonggi-do (KR); **Soon Hyun Park**, Seoul (KR)

(73) Assignee: **LG Electronics, Inc.**, Seoul (KR)

(**) Term: **14 Years**

(21) Appl. No.: **29/377,681**

(22) Filed: **Oct. 25, 2010**

(30) **Foreign Application Priority Data**

Apr. 29, 2010 (KR) 30-2010-0019129

(51) **LOC (9) Cl.** **14-01**

(52) **U.S. Cl.** **D14/224; D14/223**

(58) **Field of Classification Search** D14/205,
D14/206, 223, 224, 224.1, 225, 150, 138,
D14/137, 142, 192, 147, 148, 155, 229; 181/129,
181/130, 135; 379/430; 320/107, 111, 113;
455/90.3, 569.1, 575.1
See application file for complete search history.

(56) **References Cited**

U.S. PATENT DOCUMENTS

2,000,571	A *	5/1935	Oswald	320/100
D298,940	S *	12/1988	Lau	D14/138 R
D302,689	S *	8/1989	Murakami et al.	D14/138 R
D306,583	S *	3/1990	Krolopp et al.	D14/137
D319,439	S *	8/1991	Danielson et al.	D14/141.1
D320,982	S *	10/1991	Siddoway	D14/137
D322,436	S *	12/1991	Myoga	D14/138 R
D329,221	S *	9/1992	Khoo	D13/107
D347,222	S *	5/1994	Hino et al.	D14/149
5,594,314	A *	1/1997	Hagiuda et al.	320/110

D381,332	S *	7/1997	Biasotti et al.	D14/150
5,841,858	A *	11/1998	Frierson	379/430
6,236,187	B1 *	5/2001	Chen	320/113
D464,038	S *	10/2002	Bebenroth	D14/223
D472,538	S *	4/2003	Chan	D14/149
D496,029	S *	9/2004	Skulley et al.	D14/224
D518,477	S *	4/2006	Chen	D14/223
D551,216	S *	9/2007	Wei	D14/223
7,557,533	B2 *	7/2009	Yang	320/107
D602,007	S *	10/2009	Lee et al.	D14/223
D630,620	S *	1/2011	Lee et al.	D14/223
D632,674	S *	2/2011	Behar et al.	D14/223

* cited by examiner

Primary Examiner — Paula Greene

(74) *Attorney, Agent, or Firm* — Morgan, Lewis & Bockius LLP

(57) **CLAIM**

The ornamental design for a bluetooth car kit for mobile phone, as shown and described.

DESCRIPTION

FIG. 1 is a perspective view of a bluetooth car kit for mobile phone showing our new design;
FIG. 2 is a front view thereof;
FIG. 3 is a rear view thereof;
FIG. 4 is a left side view thereof;
FIG. 5 is a right side view thereof;
FIG. 6 is a top plan view thereof;
FIG. 7 is a bottom plan view thereof; and,
FIG. 8 is a perspective view showing the state in which the bluetooth headset has been detaching therefrom.
The broken lines depict portions of the bluetooth car kit for mobile phone that form no part of the claimed design. The portions of the headset of the bluetooth car kit not shown in the drawings form no part of the claimed designed.

1 Claim, 7 Drawing Sheets

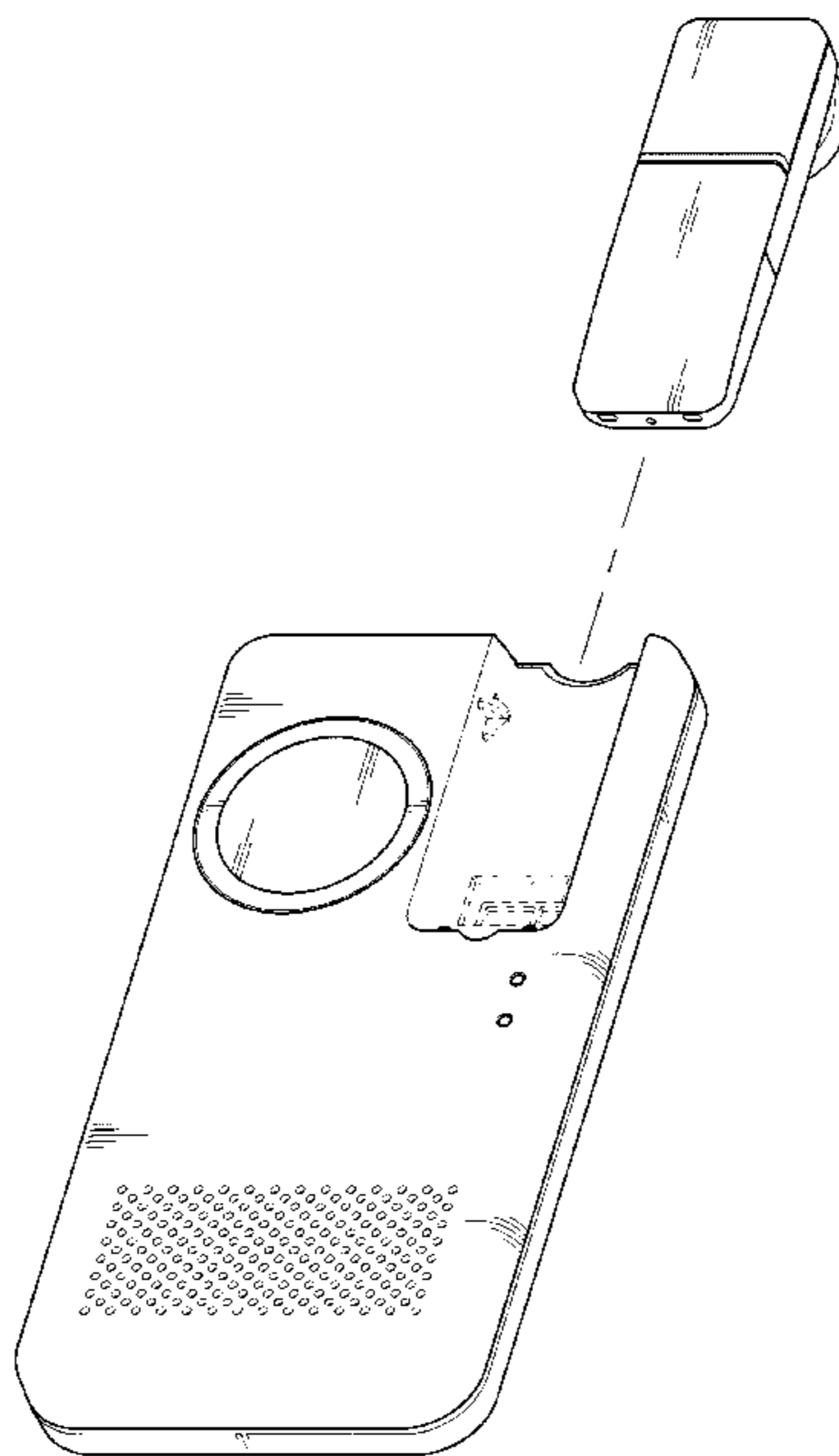


FIG. 1

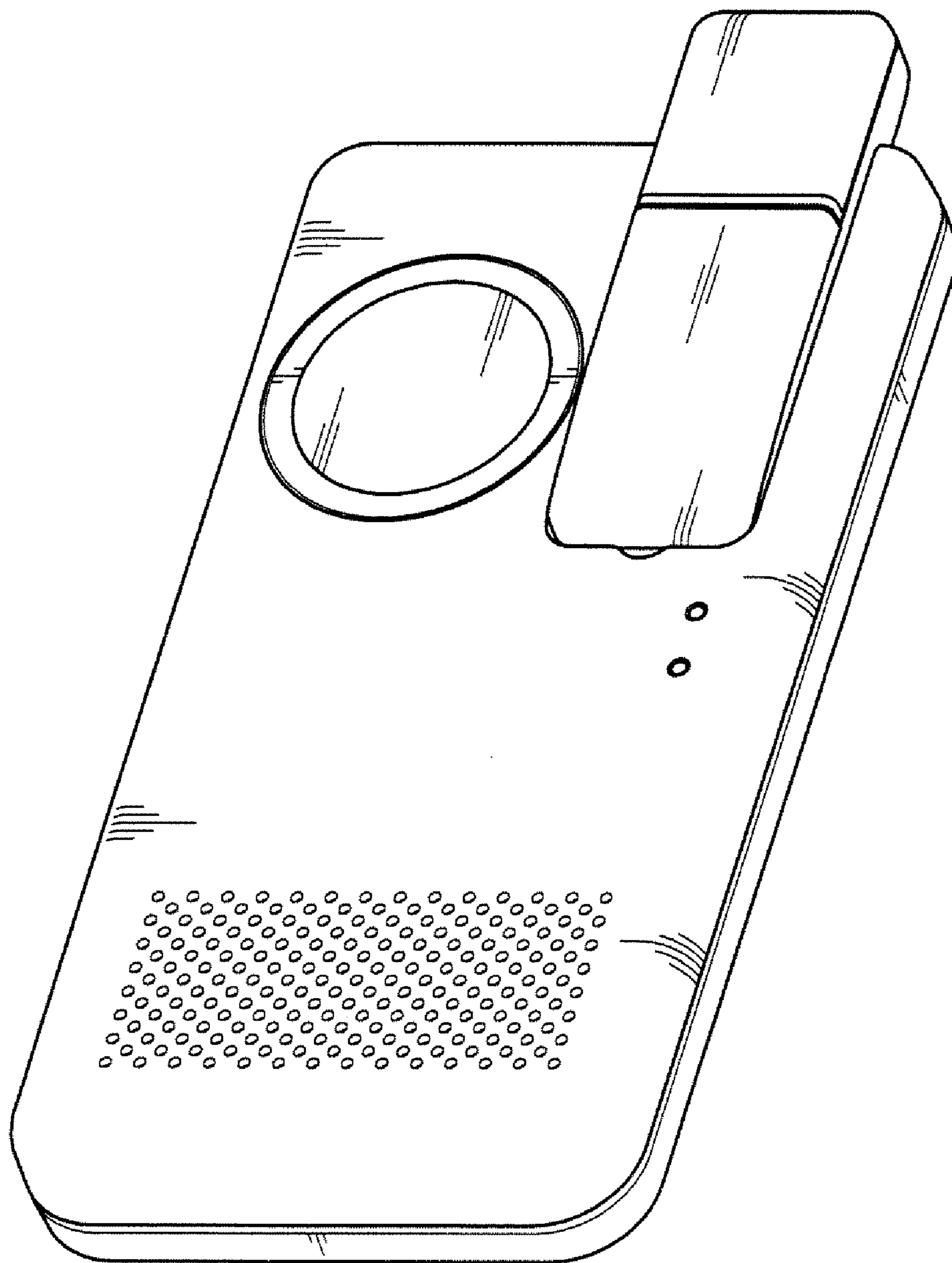


FIG. 2

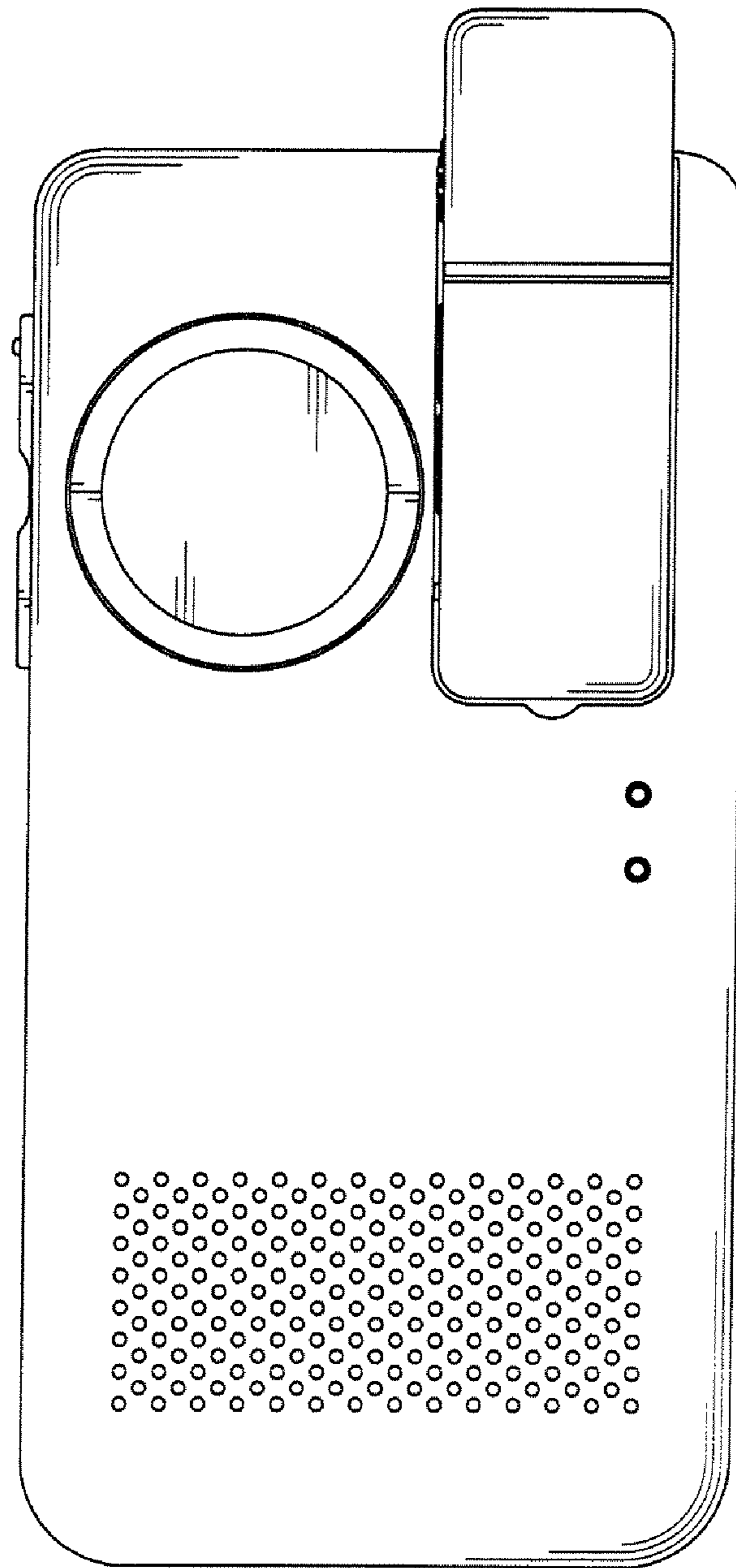


FIG. 3

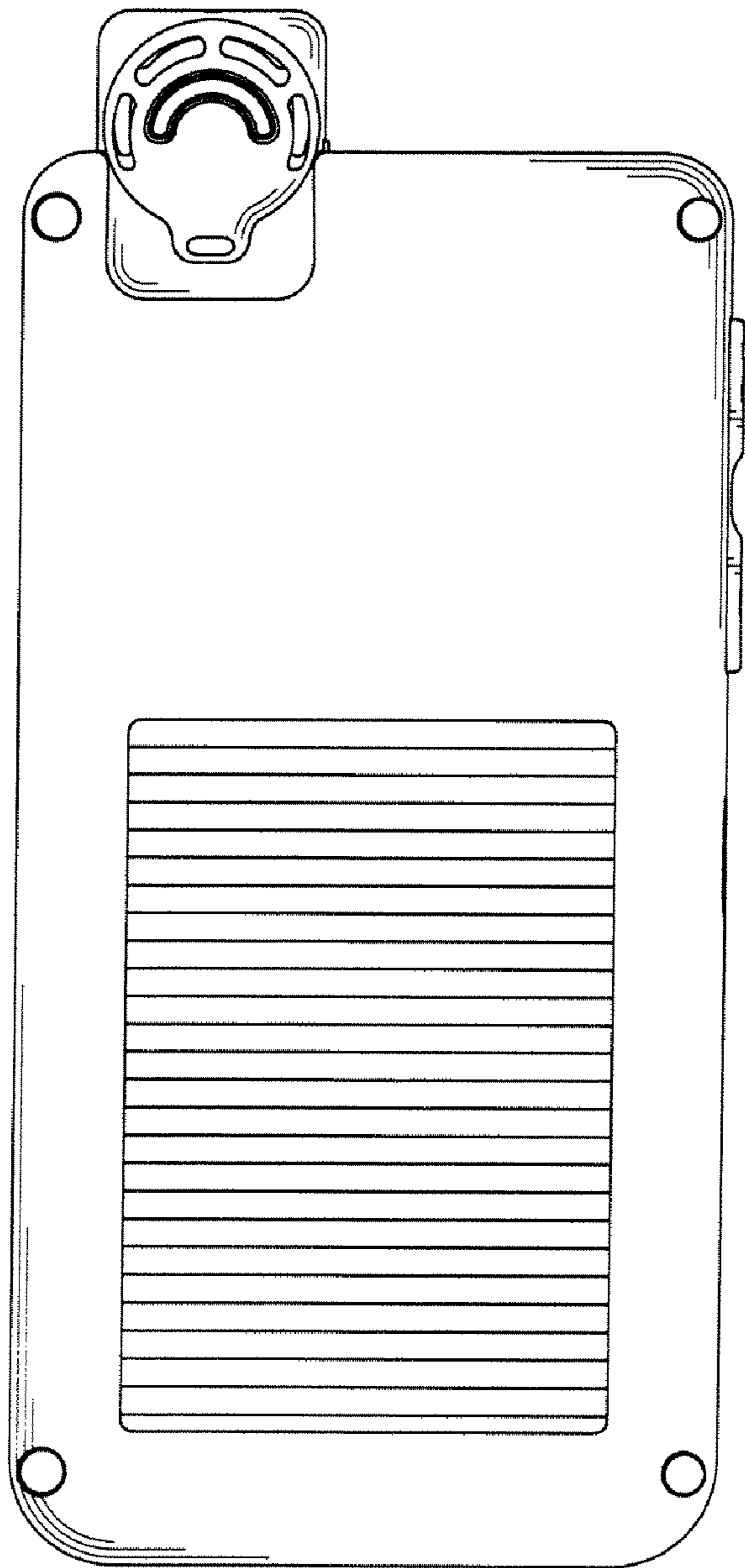


FIG. 4

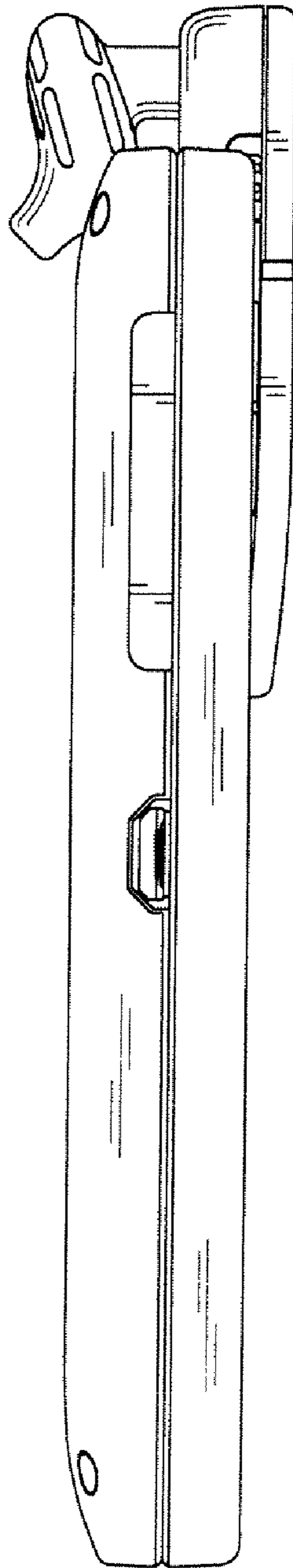


FIG. 5

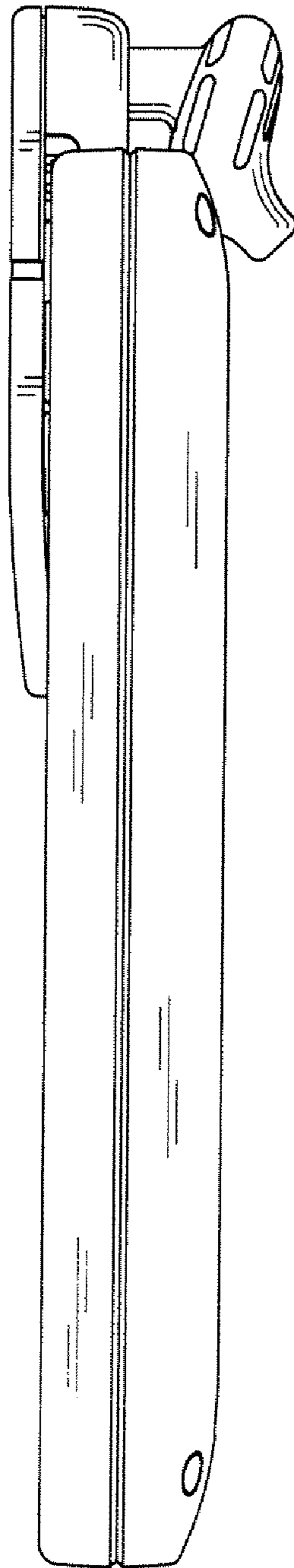


FIG. 6

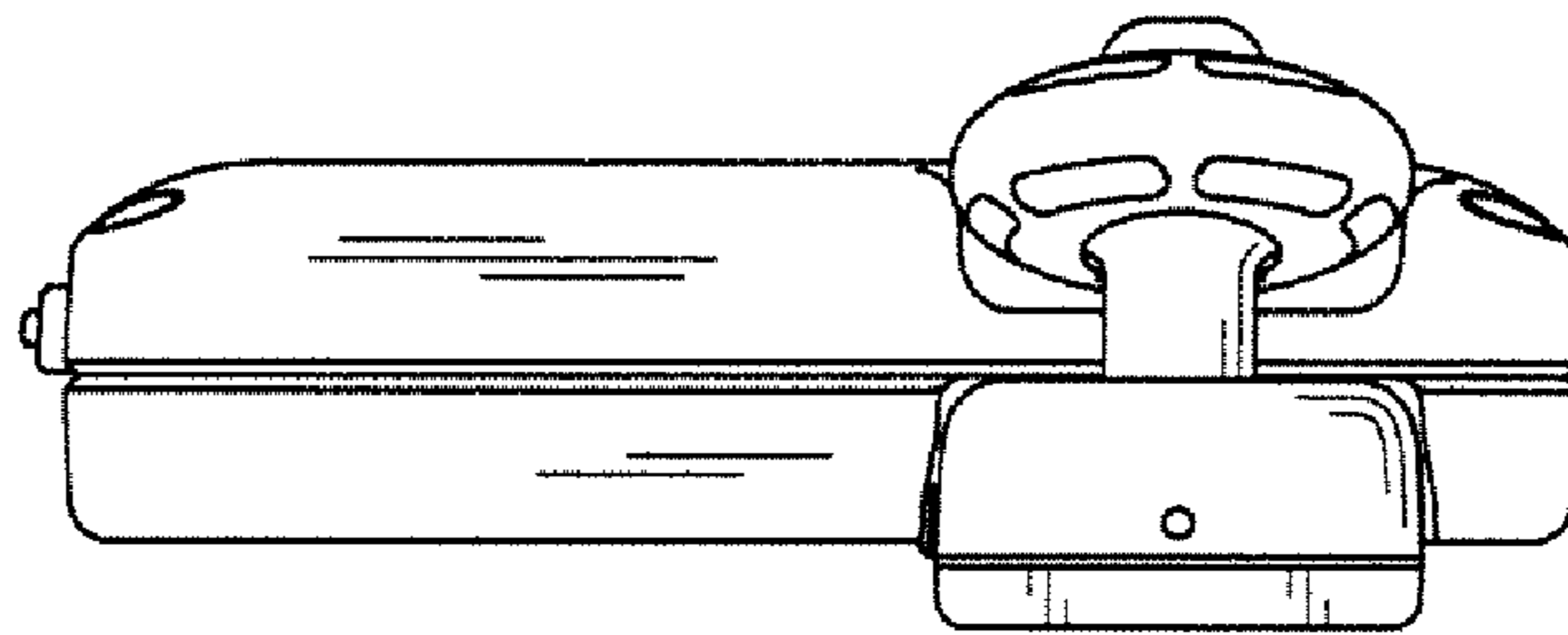


FIG. 7

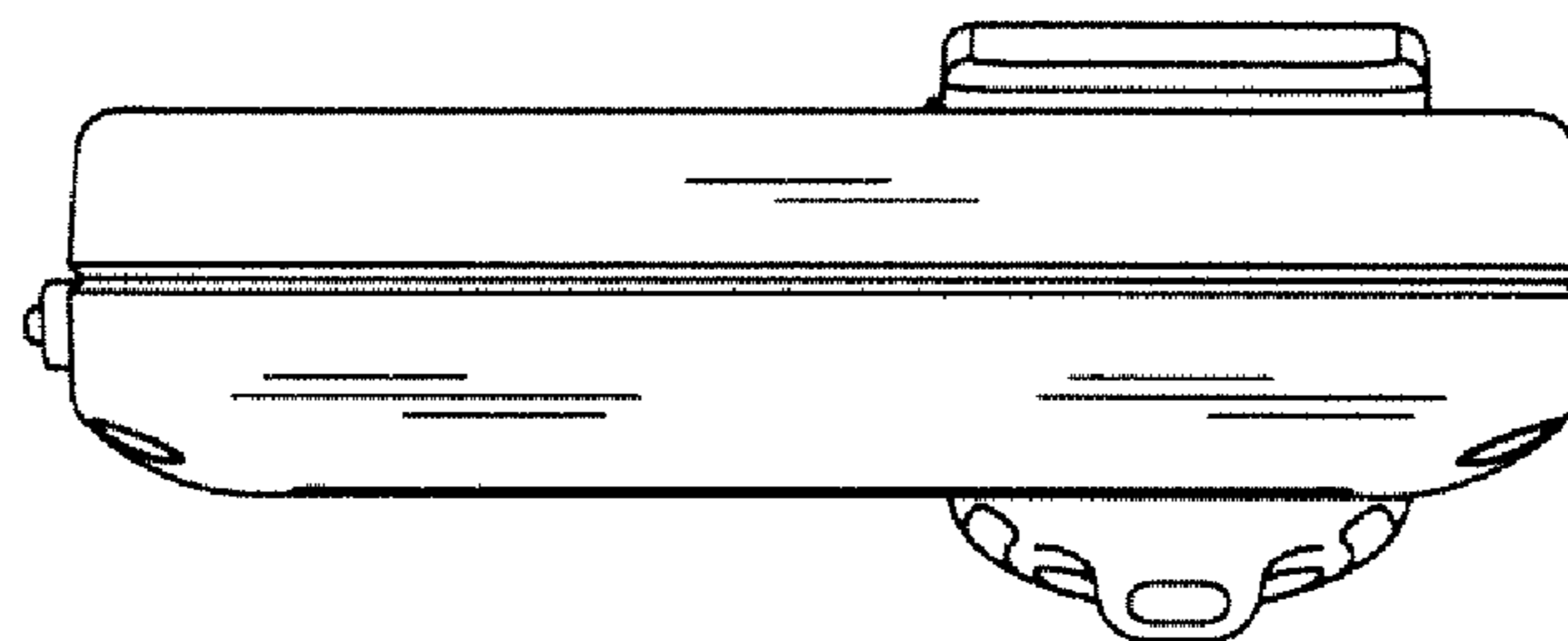


FIG. 8

