



US00D651589S

(12) **United States Design Patent**
Fischer

(10) **Patent No.:** **US D651,589 S**
(45) **Date of Patent:** **** Jan. 3, 2012**

(54) **CONTROLLER**

- (75) Inventor: **Joshua James Fischer**, Shenzhen (CN)
- (73) Assignee: **Microsoft Corporation**, Redmond, WA (US)
- (**) Term: **14 Years**
- (21) Appl. No.: **29/384,467**
- (22) Filed: **Jan. 31, 2011**
- (51) **LOC (9) Cl.** **14-03**
- (52) **U.S. Cl.** **D14/218**
- (58) **Field of Classification Search** D14/218,
D14/455; D13/168; D21/566; D10/104,
D10/106; 345/169; 348/14.05, 114, 211.99,
348/734; 340/825.24; 341/22; 455/92, 95,
455/128, 151.1–151.4, 352, 355, FOR. 121;
700/65
See application file for complete search history.

(56) **References Cited**

U.S. PATENT DOCUMENTS

D299,922 S *	2/1989	Schremmer	D14/218
D517,052 S *	3/2006	Skulley	D14/223
D530,681 S *	10/2006	Huang	D13/168
D533,542 S *	12/2006	Suzuki et al.	D14/218
D543,537 S *	5/2007	Chau	D14/218
D548,728 S *	8/2007	Yoshiyama	D14/218
D554,626 S *	11/2007	Christopher	D14/223
D585,876 S *	2/2009	Griffin	D14/218
D596,623 S *	7/2009	Laine	D14/218
D606,980 S *	12/2009	Bradford	D14/218
D608,765 S *	1/2010	Tsai et al.	D14/218
D617,746 S *	6/2010	Choi	D13/168
D620,456 S *	7/2010	Akana et al.	D13/168
D632,263 S *	2/2011	Lin et al.	D13/168

OTHER PUBLICATIONS

- Specialist Gaming Headset—Blue; Picture at URL: <http://www.gamingsheadset.com/specialist-gaming-headset-blue/>; Website dated Oct. 18, 2010.
- Tritton Tech AX Pro Heatset; Picture at URL <http://www.alluplay.co.uk/gaming/surroundsound-headsets-beneficial-or-superficial/>; Website dated Jun. 10, 2009.
- Psyko 5.1 Gaming Headset; Picture at URL <http://forums.vortez.net/reviews/1068-psyko-5-1-gaming-headset-review.html>; Website dated Oct. 23, 2010.
- Razer Megalodon Gaming Headset; Picture at URL <http://www.amazon.com/Razer-Megalodon-Surround-Gaming-Headset/dp/B002EVPBH0>; Dated 2009.
- Creative HS-450 Gaming Headset; image found on Internet; Product believed to be introduced around 2008.

* cited by examiner

Primary Examiner — John Windmuller

(74) *Attorney, Agent, or Firm* — Banner & Witcoff, Ltd.

(57) **CLAIM**

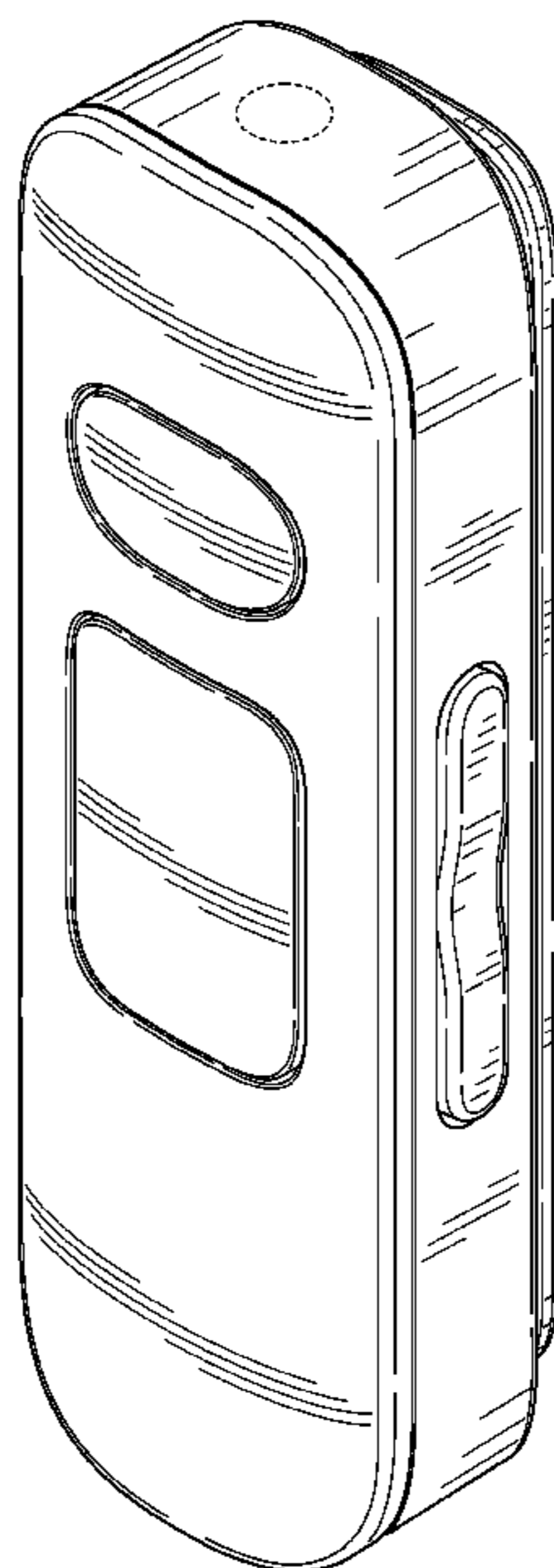
The ornamental design for a controller, as shown and described.

DESCRIPTION

FIG. 1 is a front perspective view of a controller showing my new design;
 FIG. 2 is a front view thereof;
 FIG. 3 is a rear view thereof;
 FIG. 4 is a right side view thereof;
 FIG. 5 is a left side view thereof;
 FIG. 6 is a top view thereof; and,
 FIG. 7 is a bottom view thereof.

The broken line showings of elements of the controller is for environmental purposes only and form no part of the claimed design.

1 Claim, 4 Drawing Sheets



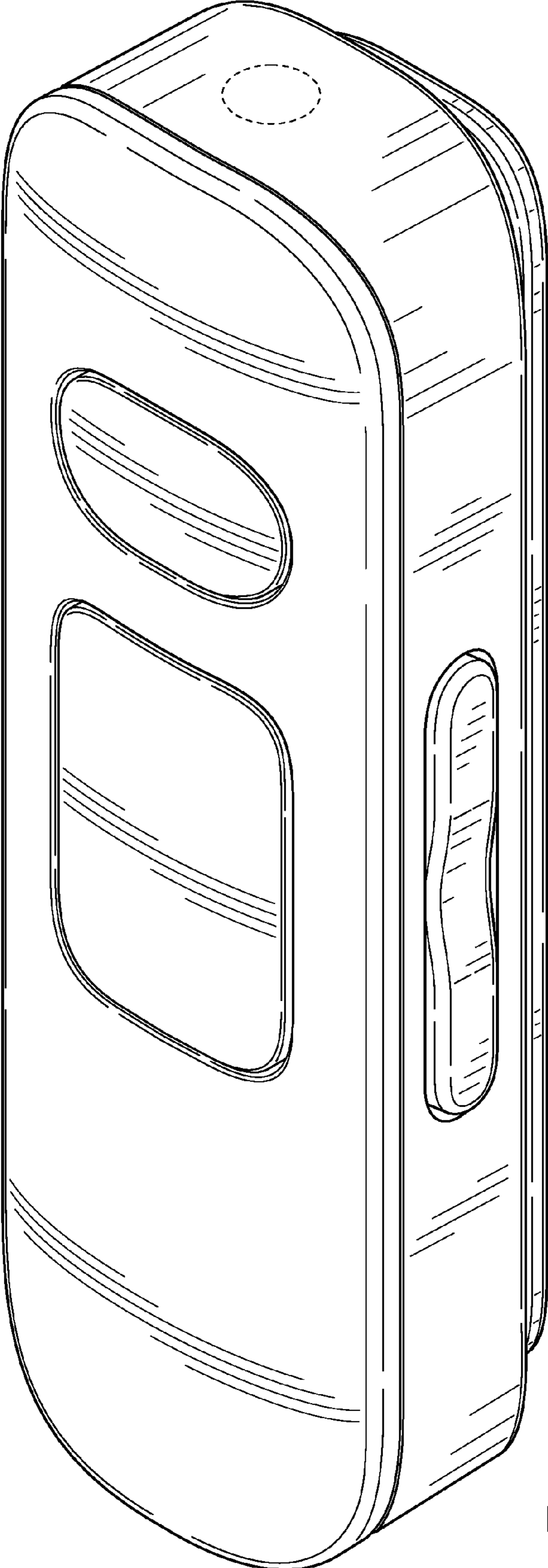


FIG. 1

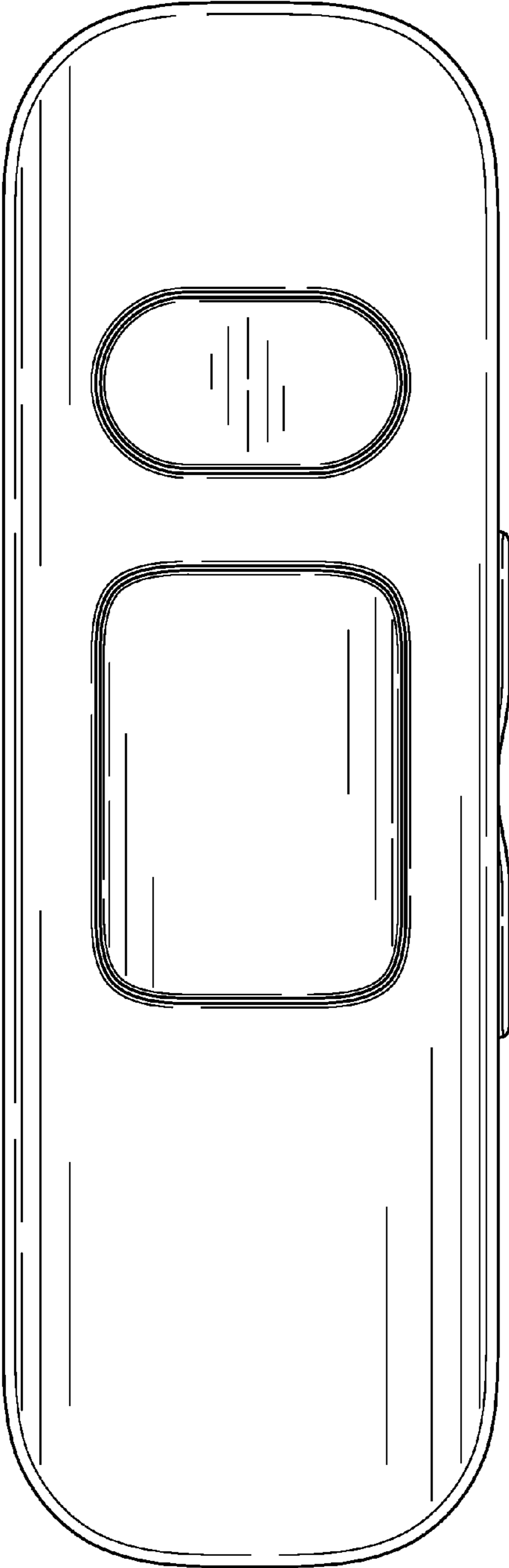


FIG. 2

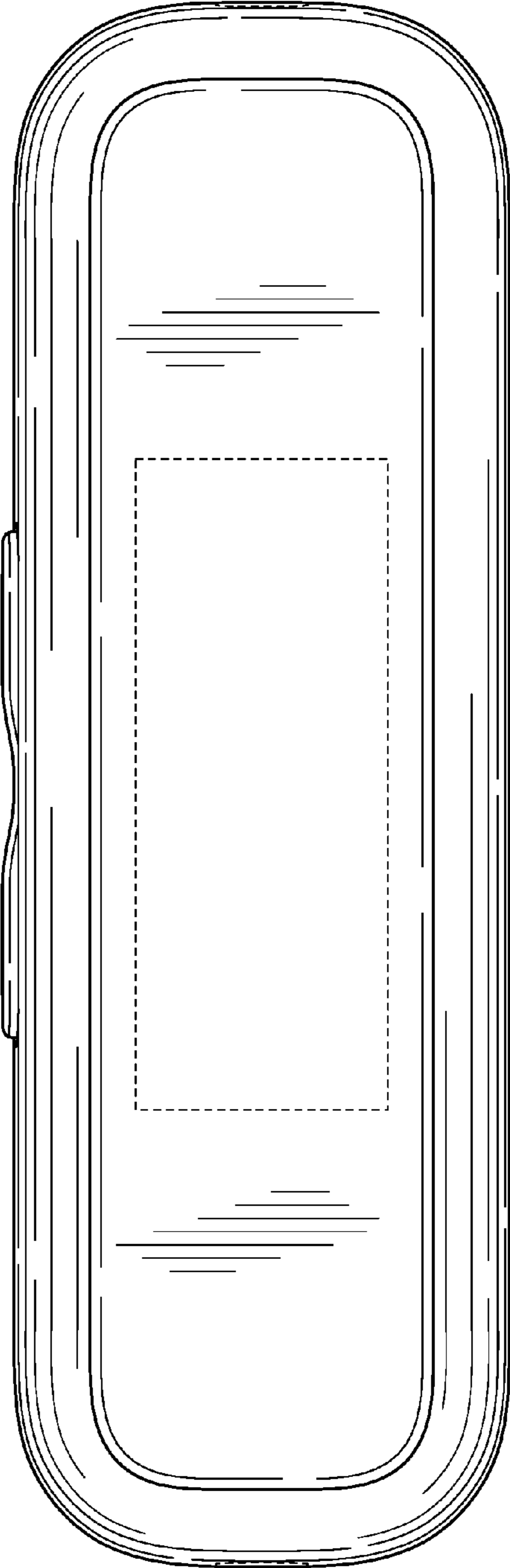


FIG. 3

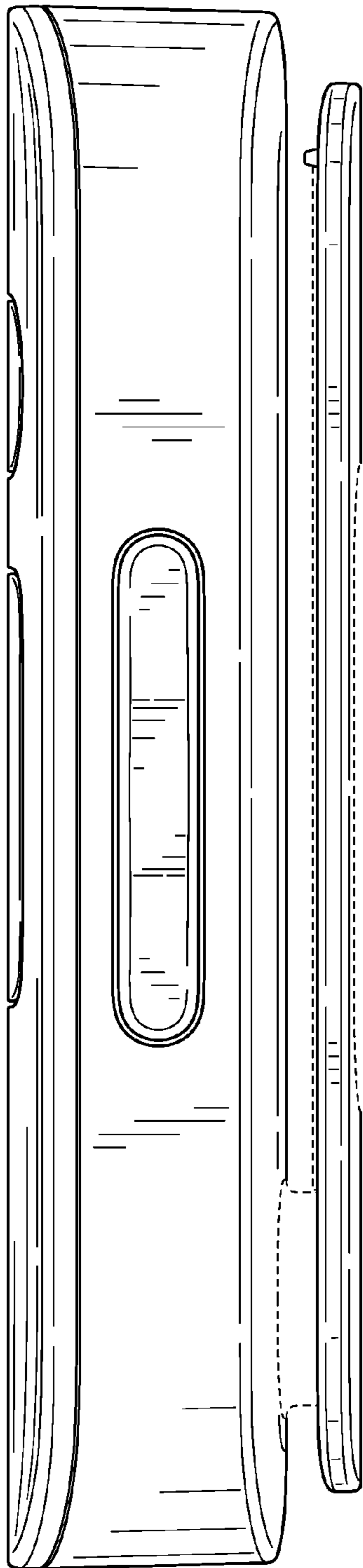


FIG. 4

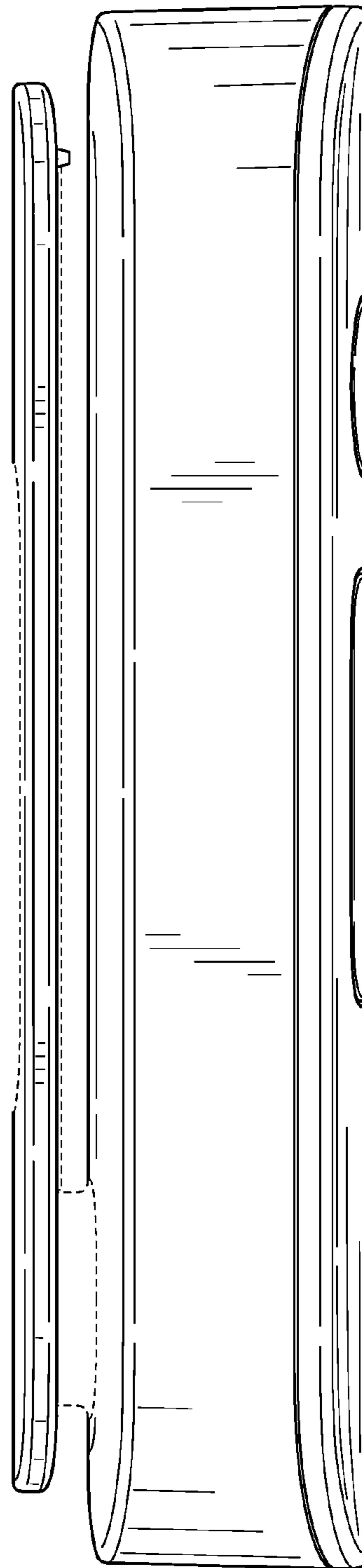


FIG. 5

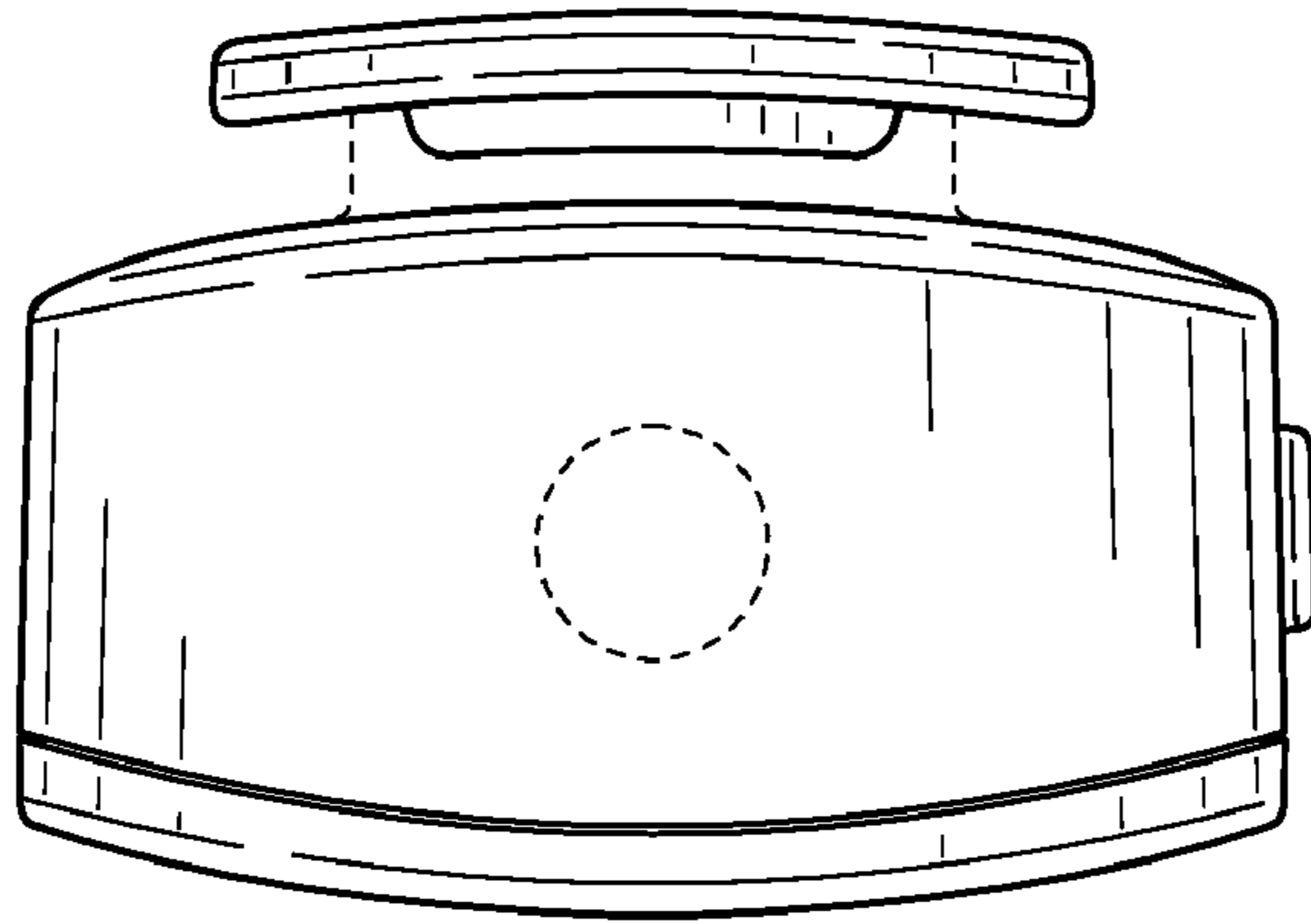


FIG. 6

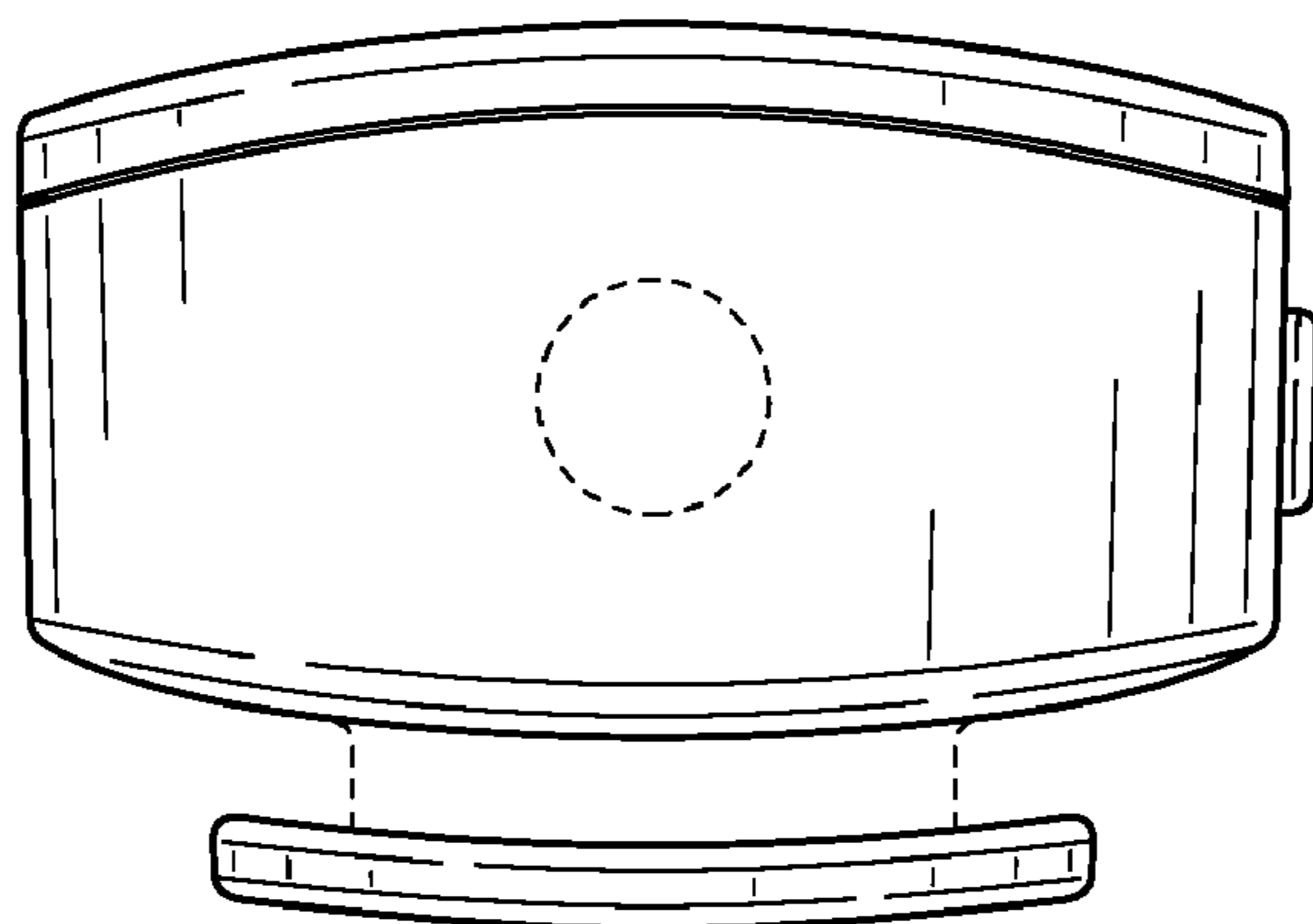


FIG. 7