



US00D651587S

(12) **United States Design Patent**
Kim et al.

(10) **Patent No.:** **US D651,587 S**
(45) **Date of Patent:** **** Jan. 3, 2012**

(54) **SPEAKER FOR HOME THEATER**

(75) Inventors: **Kyungmin Kim**, Seoul (KR); **Areum Kwon**, Seoul (KR); **Sooyoung Park**, Seoul (KR); **Kwangho Choi**, Seoul (KR); **Sangwon Yoon**, Seoul (KR)

(73) Assignee: **LG Electronics, Inc.**, Seoul (KR)

(**) Term: **14 Years**

(21) Appl. No.: **29/388,616**

(22) Filed: **Mar. 31, 2011**

(30) **Foreign Application Priority Data**
Oct. 5, 2010 (KR) 30-2010-0043259
(51) **LOC (9) Cl.** **14-01**
(52) **U.S. Cl.** **D14/211**
(58) **Field of Classification Search** D14/204,
D14/210-215, 129, 172; 181/143-144, 147-148,
181/150-153, 157, 198-199; 381/300-303,
381/306, 332-333, 336, 345, 361-364, 386-388
See application file for complete search history.

(56) **References Cited**

U.S. PATENT DOCUMENTS
D540,779 S * 4/2007 Joseph D14/211
D576,150 S * 9/2008 Lim et al. D14/211
D588,107 S * 3/2009 Khoo et al. D14/215
D597,531 S * 8/2009 Cho D14/215
* cited by examiner

Primary Examiner — Nanda Bondade
(74) *Attorney, Agent, or Firm* — Morgan, Lewis & Bockius LLP

(57) **CLAIM**
The ornamental design for a speaker for home theater, as shown and described.

DESCRIPTION

FIG. 1 is a perspective view of a speaker for home theater showing our new design;
FIG. 2 is a front view thereof;
FIG. 3 is a rear view thereof;
FIG. 4 is a left side view thereof where the right side view is a mirror image;
FIG. 5 is a top plan view thereof; and,
FIG. 6 is a bottom plan view thereof.
The broken lines in FIGS. 3 and 6 are for illustrative purposes only and form no part of the claimed design.

1 Claim, 5 Drawing Sheets

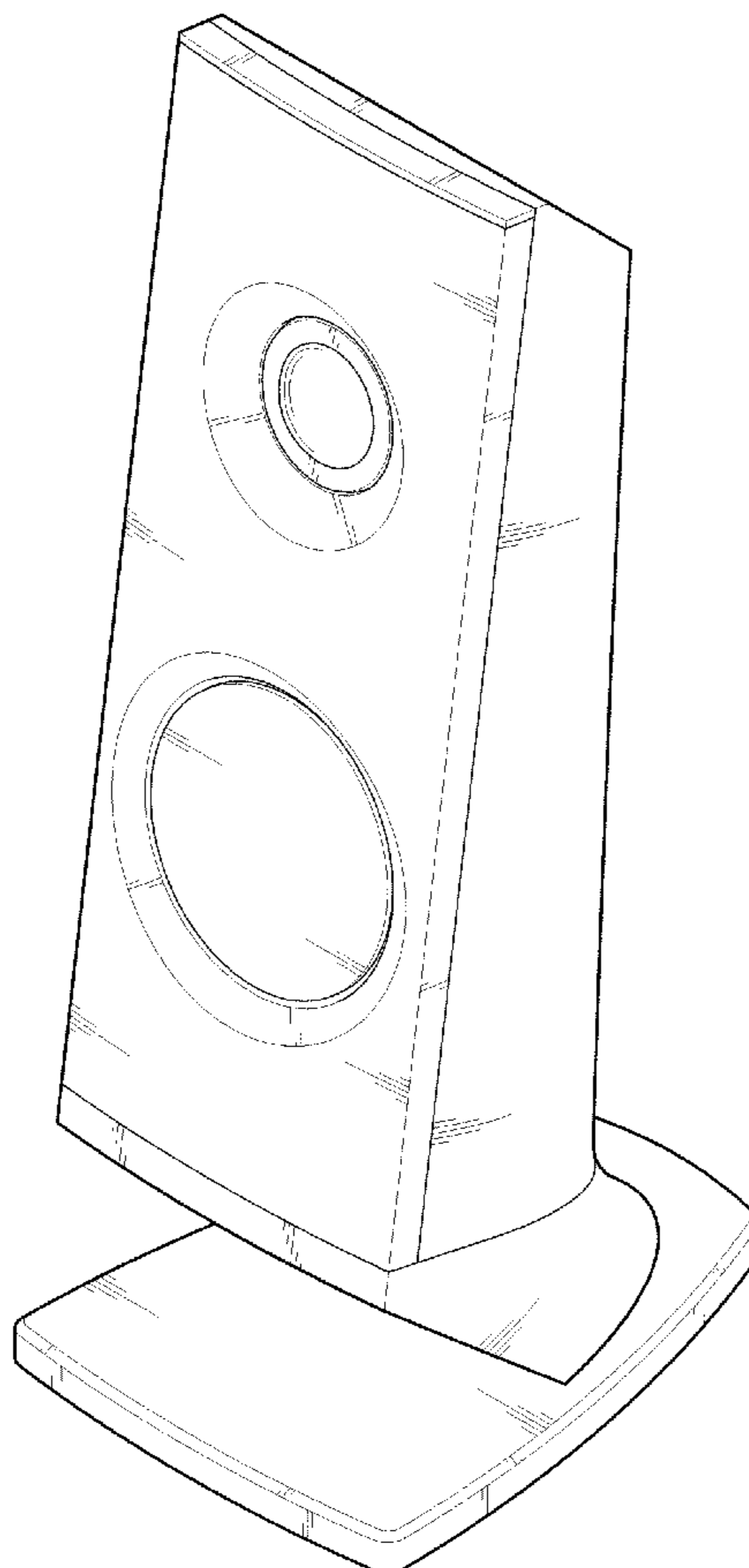


FIG. 1

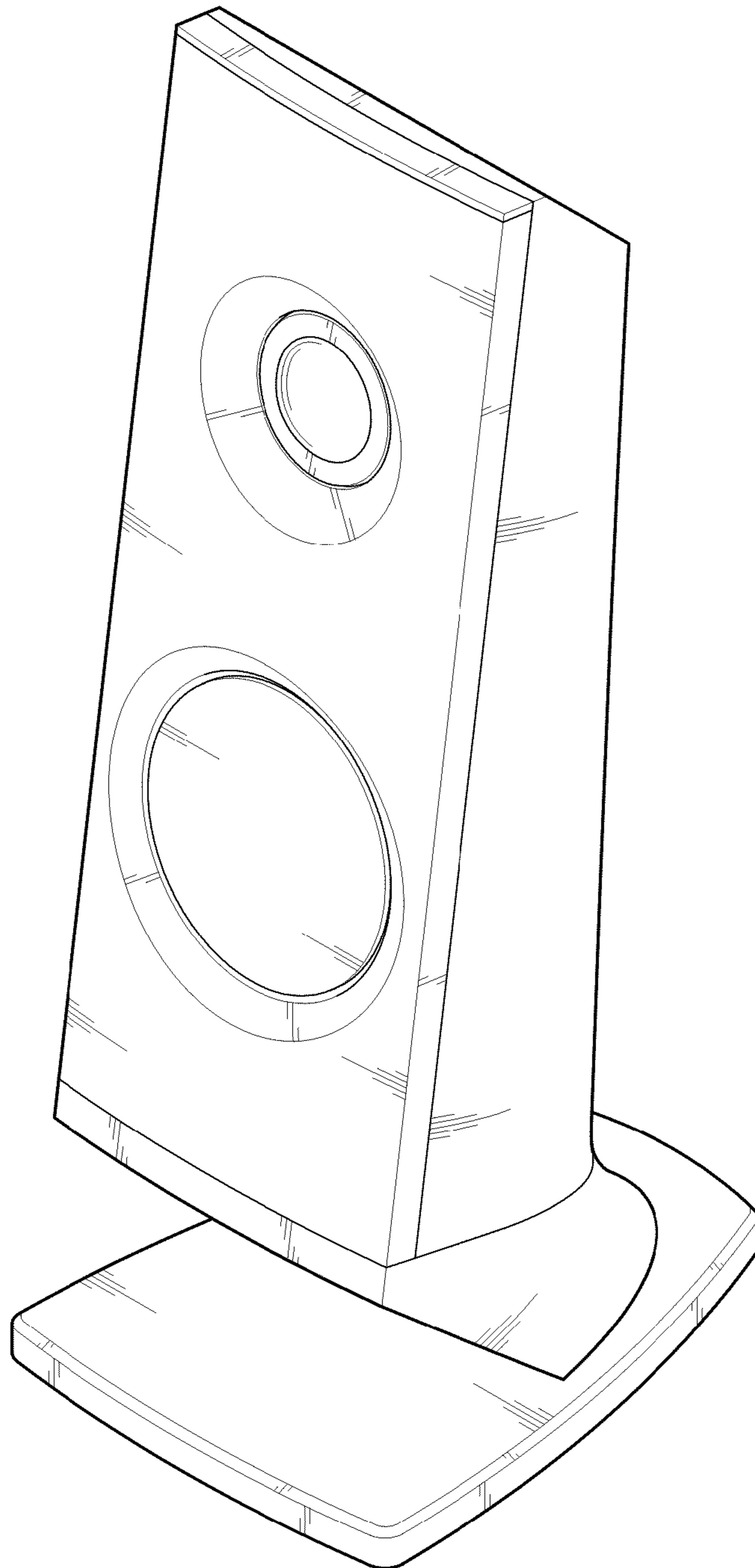


FIG. 2

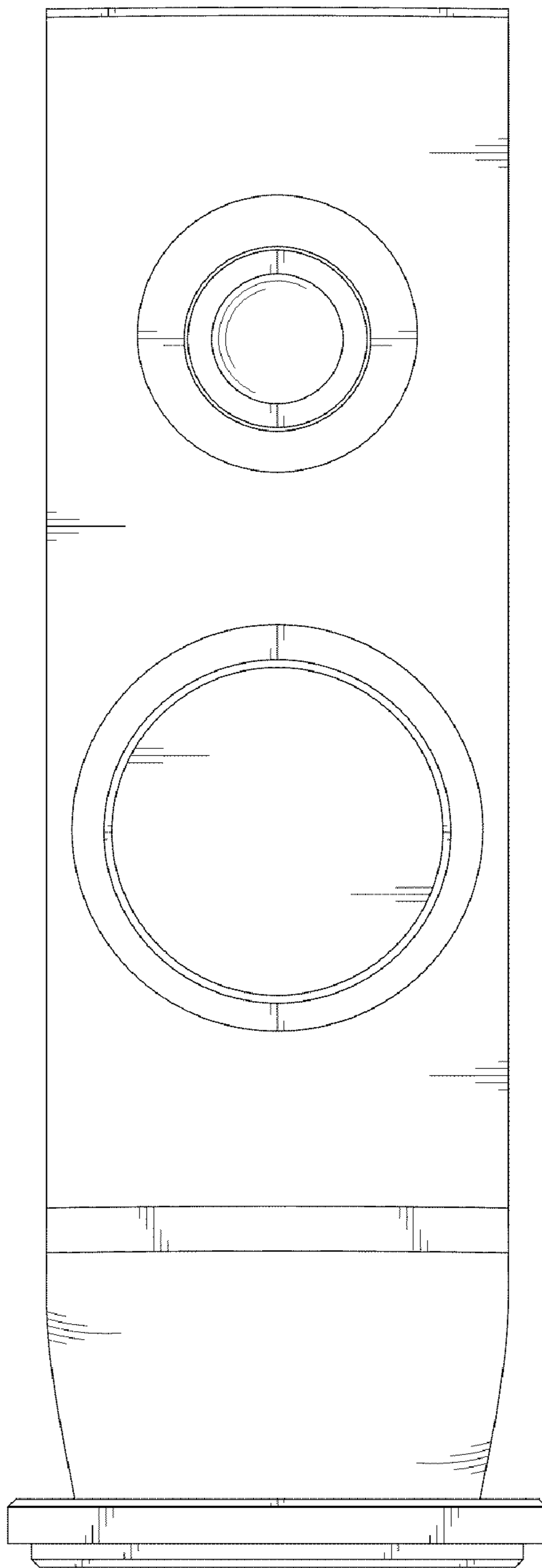


FIG. 3

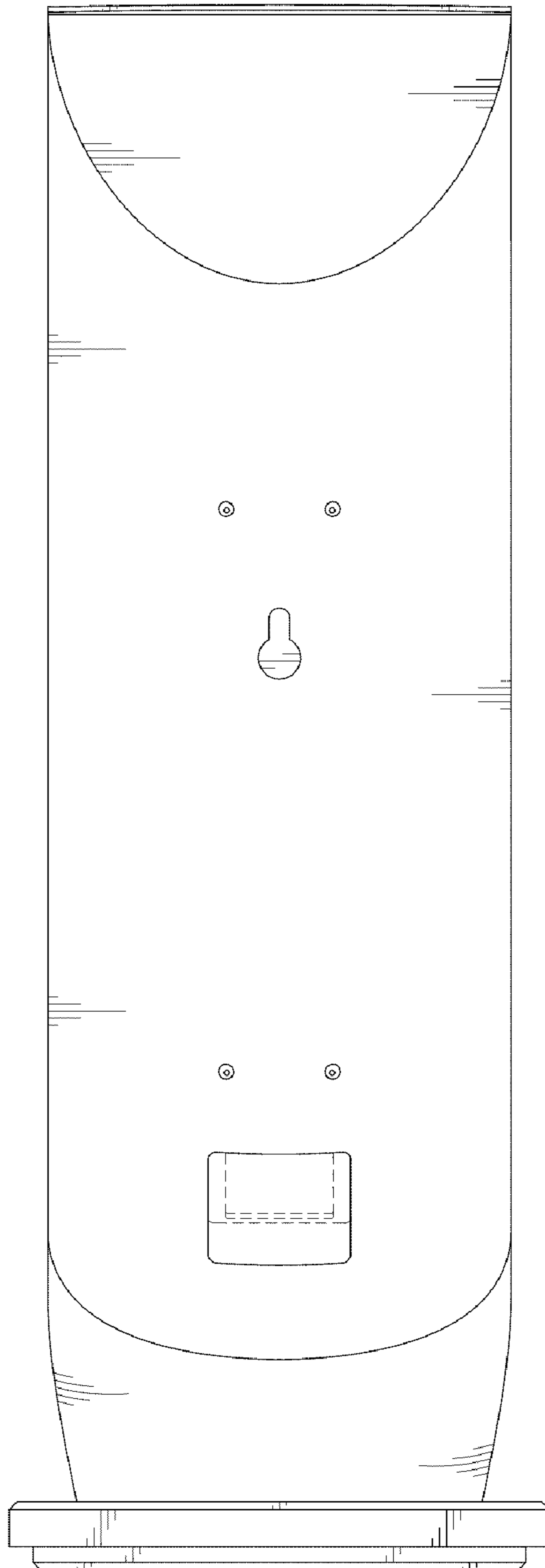


FIG. 4

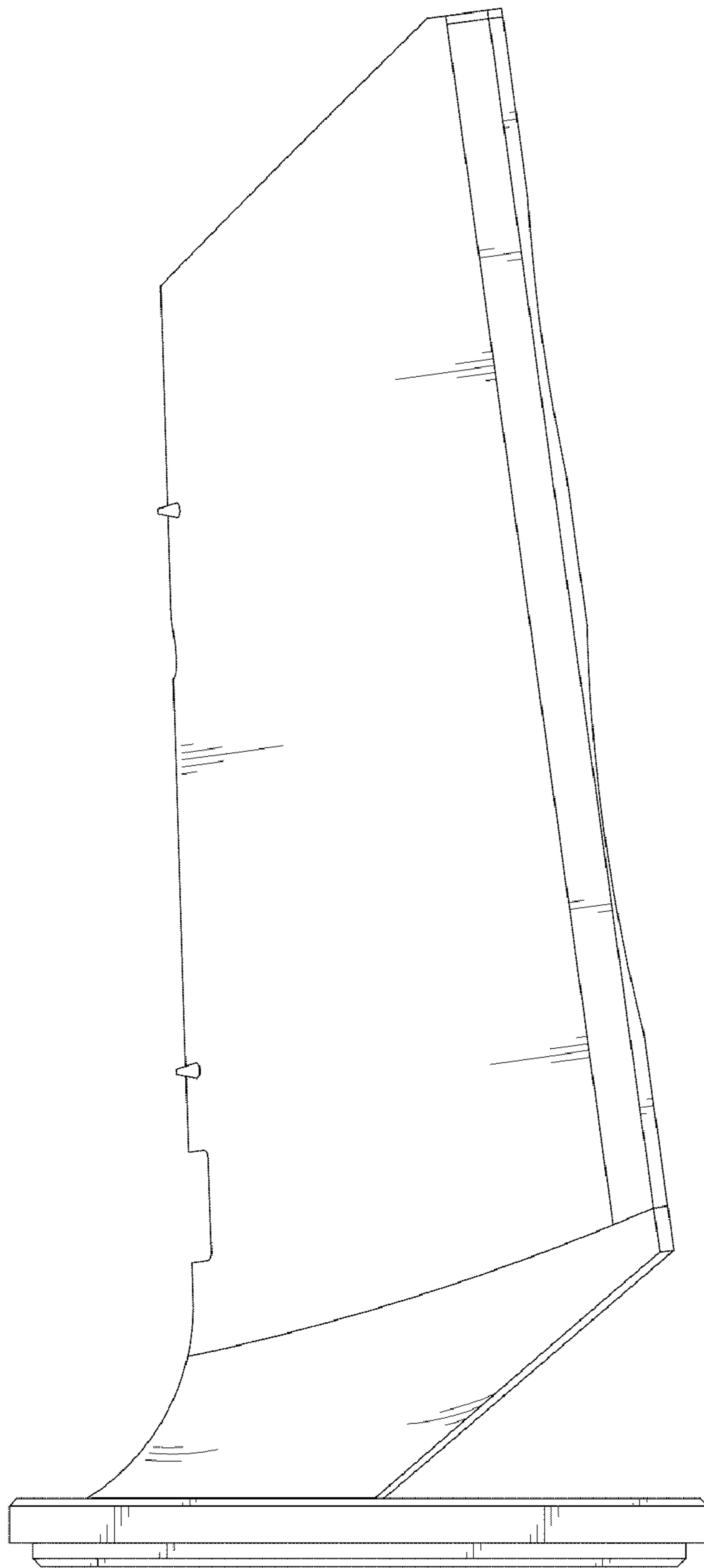


FIG. 5

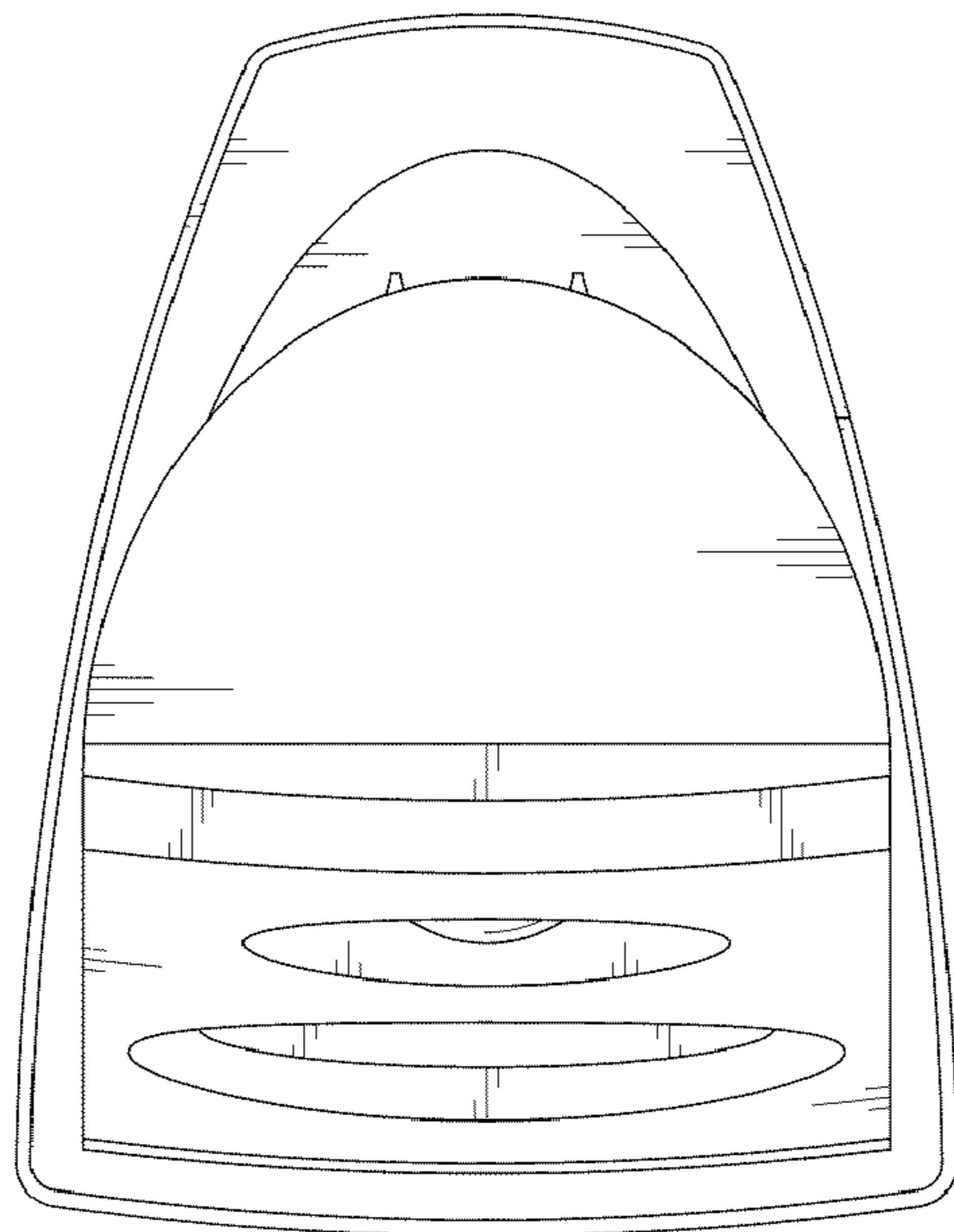


FIG. 6

