



US00D651581S

(12) **United States Design Patent**
Yano

(10) **Patent No.:** **US D651,581 S**
(45) **Date of Patent:** **** Jan. 3, 2012**

(54) **CONTROLLER**

(75) Inventor: **Ken Yano**, Tokyo (JP)

(73) Assignee: **Sony Computer Entertainment Inc.**,
Tokyo (JP)

(**) Term: **14 Years**

(21) Appl. No.: **29/379,061**

(22) Filed: **Nov. 12, 2010**

(51) **LOC (9) Cl.** **14-03**

(52) **U.S. Cl.** **D13/168**

(58) **Field of Classification Search** D13/168;
D9/503, 519, 549; D14/218, 247, 400, 401;
D21/324, 333; D24/197; 340/4.3, 4.42,
340/12.22, 12.23, 12.24, 12.29, 12.3, 13.2,
340/13.21, 13.24; 341/176; 345/158, 169;
348/734; 455/352; 700/17, 65, 83
See application file for complete search history.

(56) **References Cited**

U.S. PATENT DOCUMENTS

D370,915 S * 6/1996 Kava et al. D14/218
D379,798 S * 6/1997 McGrath et al. D13/168
6,120,379 A * 9/2000 Tanaka et al. 463/44
D610,206 S * 2/2010 Freemont, Jr. D21/385

D625,275 S * 10/2010 Yano D13/168
D626,517 S * 11/2010 Yano D13/168
D627,744 S * 11/2010 Yano D13/168
D628,577 S * 12/2010 Marks et al. D14/412
D630,168 S * 1/2011 Yano D13/168
7,942,745 B2 * 5/2011 Ikeda et al. 463/38
2010/0144436 A1 * 6/2010 Marks et al. 463/36

* cited by examiner

Primary Examiner — Selina Sikder

(74) *Attorney, Agent, or Firm* — Martine Penilla Group,
LLC

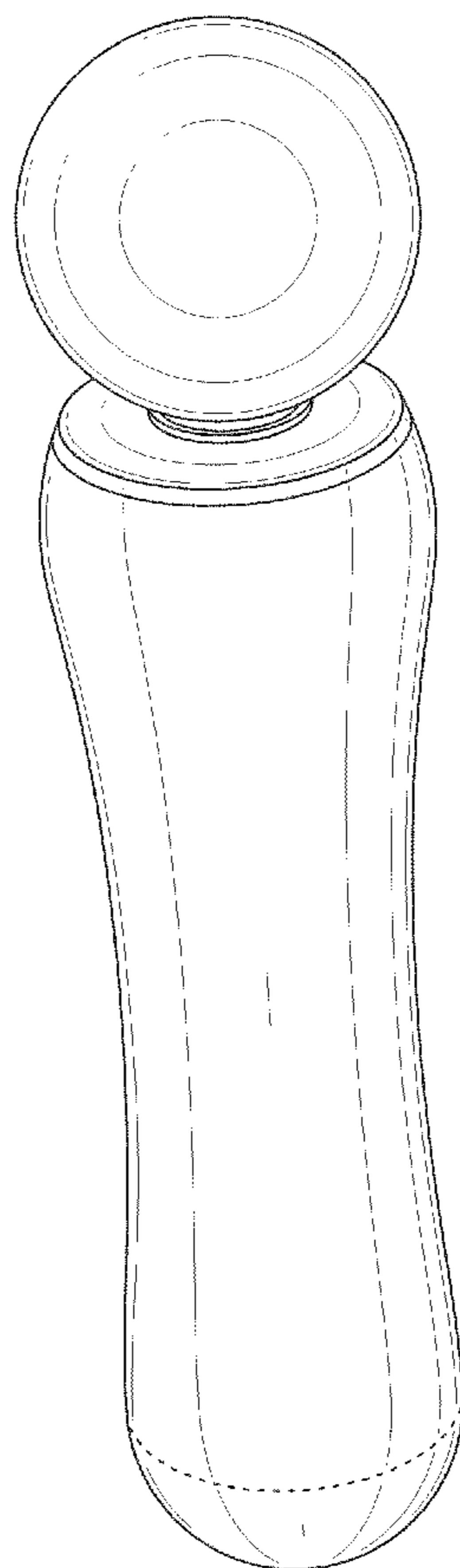
(57) **CLAIM**

The ornamental design for a controller, as shown and
described.

DESCRIPTION

FIG. 1 is a perspective view of our controller design;
FIG. 2 is a front view thereof;
FIG. 3 is a rear view thereof;
FIG. 4 is a right side view thereof;
FIG. 5 is a left right side view thereof;
FIG. 6 is a top view thereof; and
FIG. 7 is a bottom view thereof; and,
FIG. 8 is a perspective view of the controller shown in use.
The broken-lines form no part of the claimed design.

1 Claim, 5 Drawing Sheets



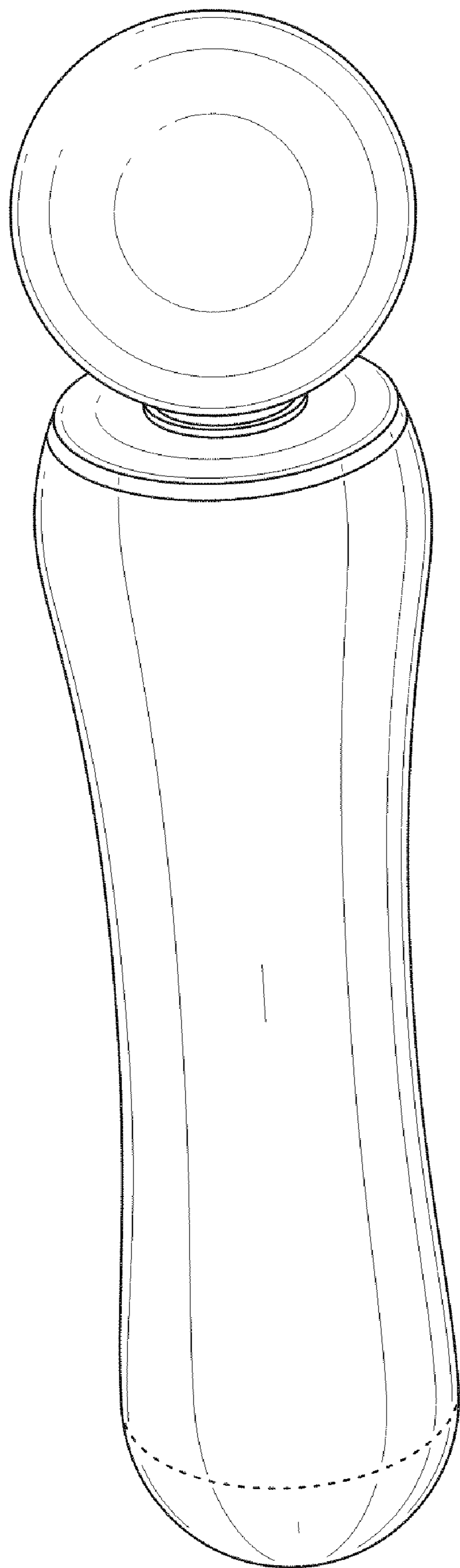


FIG. 1



FIG. 2

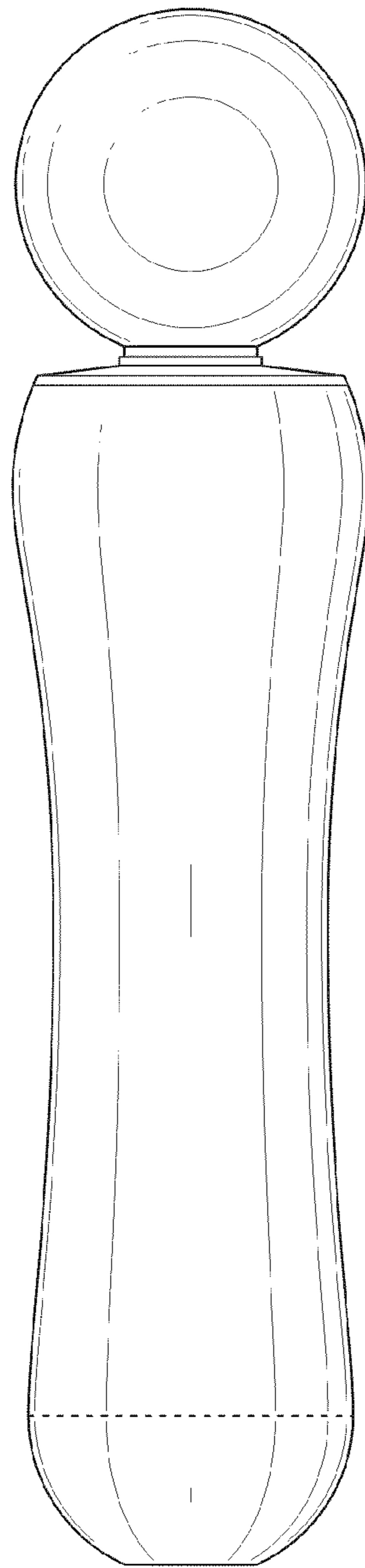


FIG. 3



FIG. 4



FIG. 5

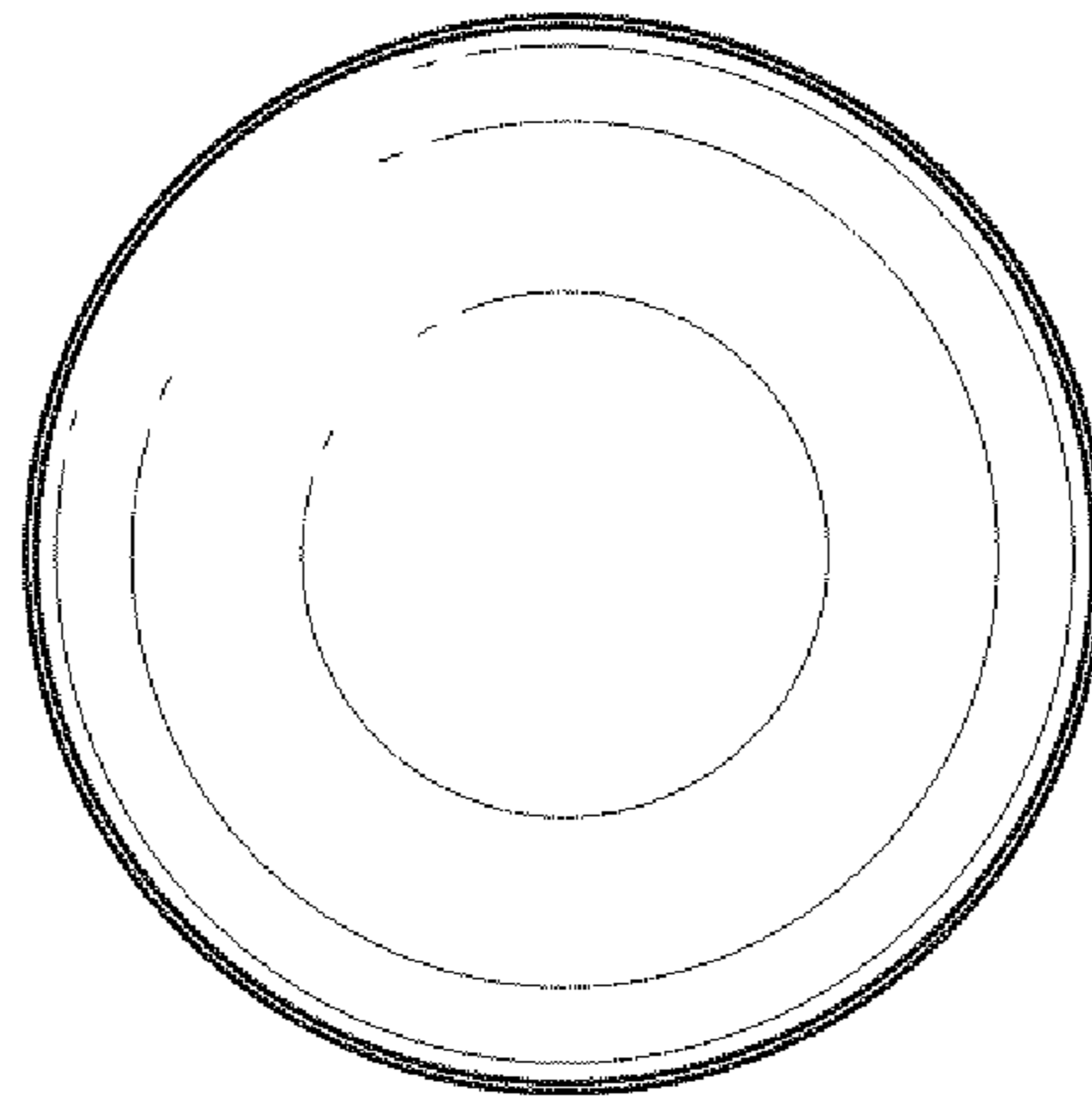


FIG. 6

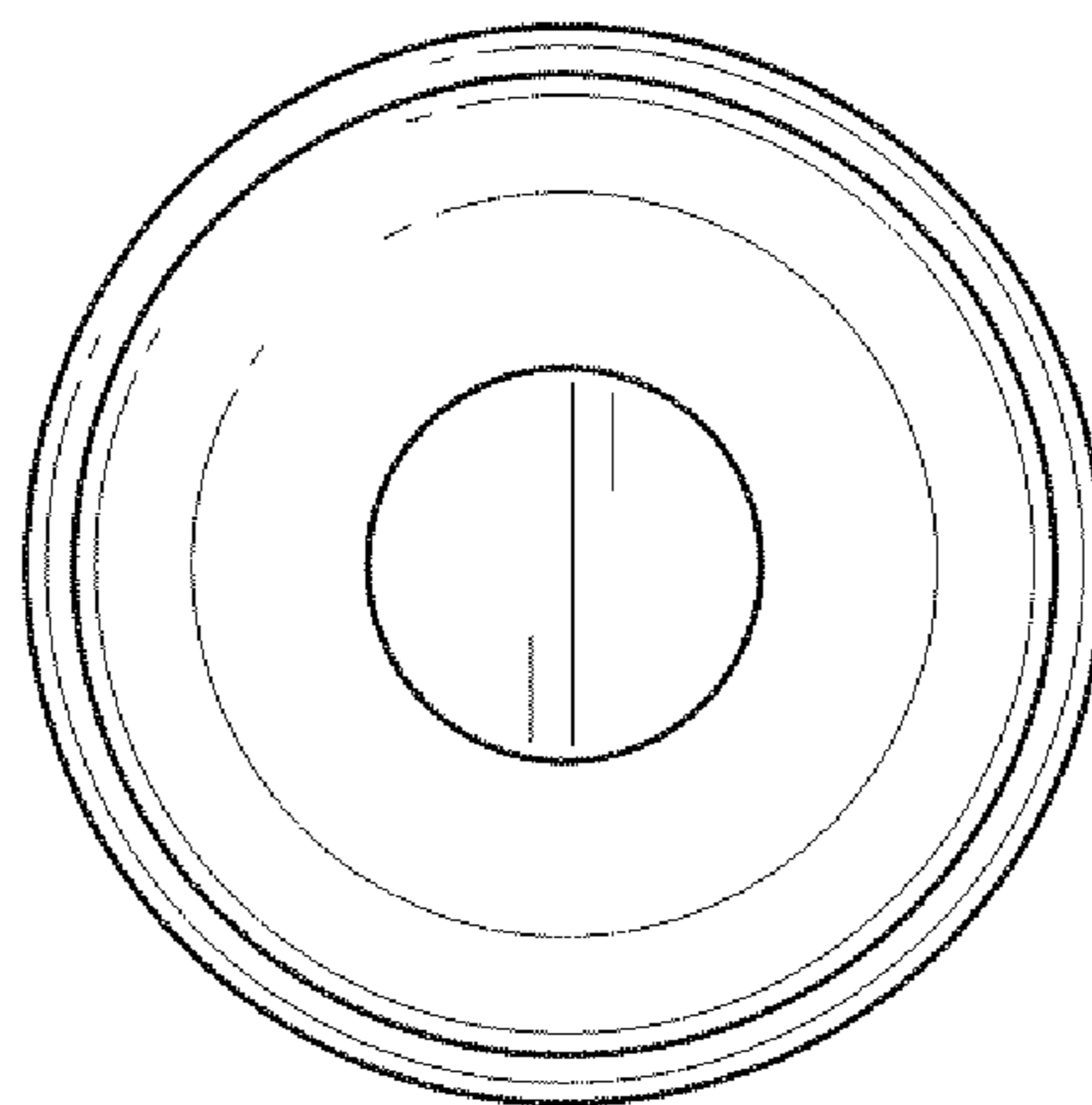


FIG. 7

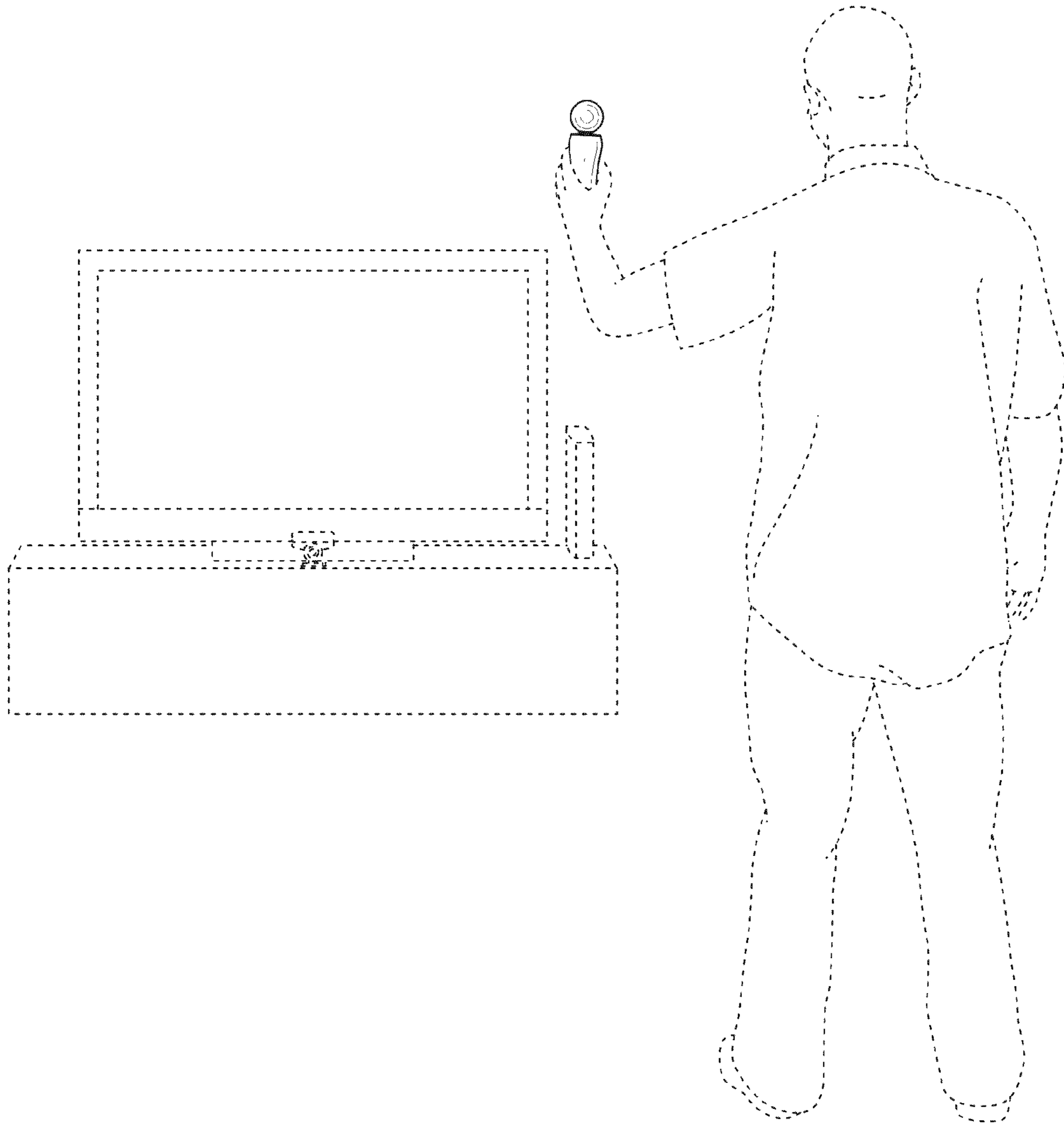


FIG. 8