



US00D651575S

(12) **United States Design Patent**
Feldstein et al.

(10) **Patent No.:** **US D651,575 S**
(45) **Date of Patent:** **** *Jan. 3, 2012**

(54) **WALL MOUNTED BUTTON PANEL**
(75) Inventors: **George Feldstein**, Cresskill, NJ (US);
Stan Wisniewski, Pompton Plains, NJ (US)

(73) Assignee: **Crestron Electronics Inc.**, Rockleigh, NJ (US)

(*) Notice: This patent is subject to a terminal disclaimer.

(**) Term: **14 Years**

(21) Appl. No.: **29/385,133**

(22) Filed: **Feb. 9, 2011**

Related U.S. Application Data

(63) Continuation-in-part of application No. 29/354,992, filed on Feb. 1, 2010.

(51) **LOC (9) Cl.** **13-03**

(52) **U.S. Cl.** **D13/164; D13/171**

(58) **Field of Classification Search** D13/162, D13/164, 171, 174; 200/5 R, 5 A, 520, 530, 200/293, 296, 302.2, 308, 310, 314, 329, 200/341; 307/139, 157; 315/209 R, 224, 315/246, 291, 294, 295

See application file for complete search history.

(56) **References Cited**

U.S. PATENT DOCUMENTS

4,529,951 A	7/1985	Youichi
D285,066 S	8/1986	Liss et al.
D287,242 S	12/1986	Liss et al.
4,716,357 A	12/1987	Cooper
4,728,866 A	3/1988	Capewell
4,876,498 A	10/1989	Luchaco
4,888,494 A	12/1989	McNair et al.
4,954,768 A	9/1990	Luchaco et al.
D311,382 S	10/1990	Mayo et al.
D311,485 S	10/1990	Jacoby et al.
D311,678 S	10/1990	Graef et al.

D313,738 S	1/1991	Mayo et al.	
D319,429 S	8/1991	D'Aleo et al.	
D327,255 S	6/1992	D'Aleo et al.	
D331,741 S *	12/1992	Fujiyoshi	D13/169
D331,742 S *	12/1992	Fujiyoshi	D13/169
D331,743 S *	12/1992	Fujiyoshi	D13/169
D336,744 S	6/1993	Kahn et al.	
5,260,669 A	11/1993	Higgins et al.	
D344,264 S	2/1994	D'Aleo et al.	
5,289,043 A	2/1994	Marshall et al.	

(Continued)

OTHER PUBLICATIONS

Crestron Electronics, Inc., Cameo Keypads Operations and Installation Guide, Feb. 2006, pp. front, cover, i, 1-8, rear cover.

Primary Examiner — Selina Sikder

(57) **CLAIM**

The ornamental design for a wall mounted button panel, as shown and described.

DESCRIPTION

FIG. 1 shows a front elevational view of a wall mounted button panel, with elements in dashed lines forming no part of the claimed design.

FIG. 2 shows an isometric projection of the wall mounted button panel, with elements in dashed lines forming no part of the claimed design.

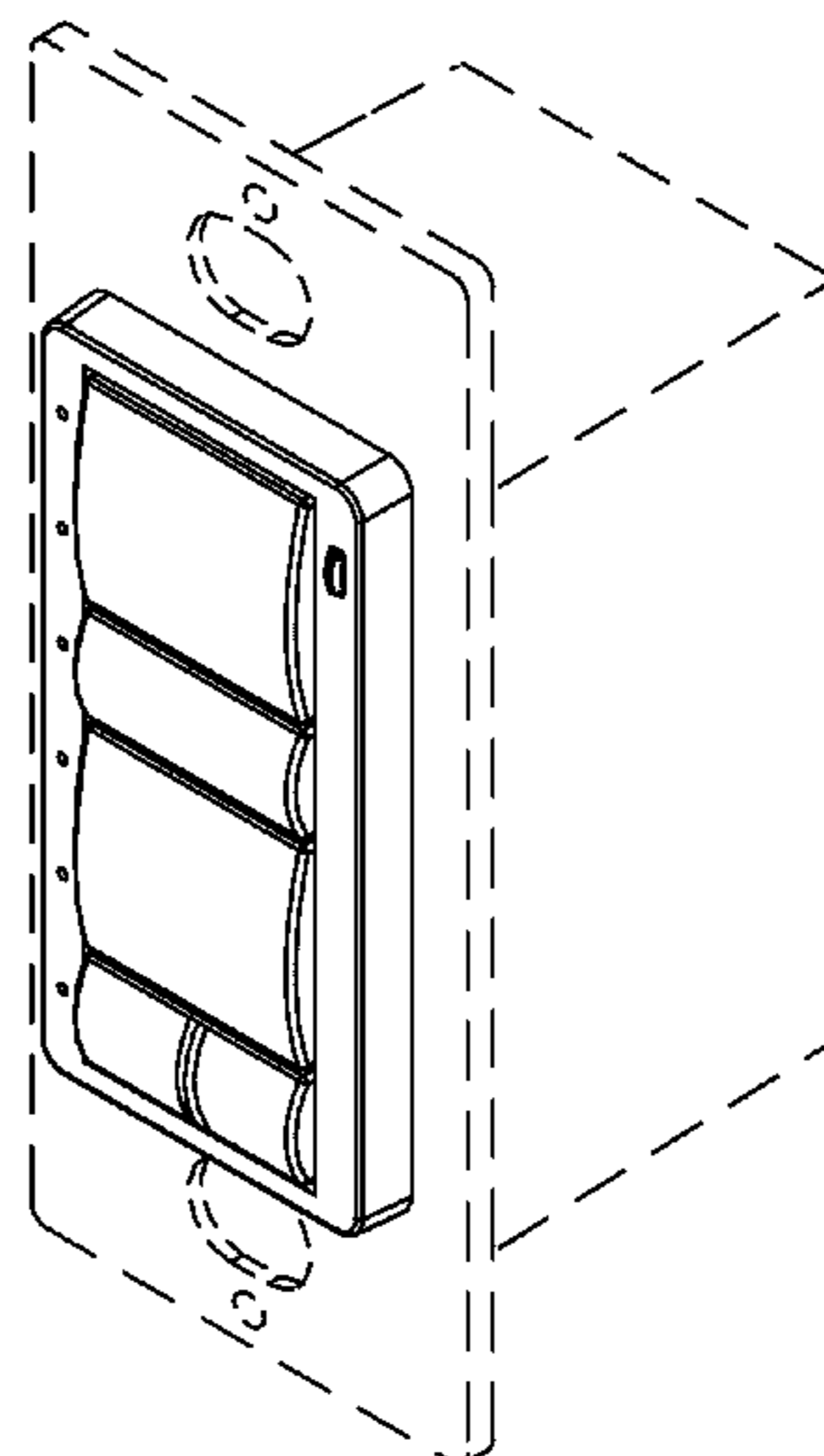
FIG. 3 shows a left side elevational view of the wall mounted button panel, with elements in dashed lines forming no part of the claimed design.

FIG. 4 shows a right side elevational view of the wall mounted button panel, with elements in dashed lines forming no part of the claimed design.

FIG. 5 shows a top plan view of the wall mounted button panel, with elements in dashed lines forming no part of the claimed design; and,

FIG. 6 shows a bottom plan view of the wall mounted button panel, with elements in dashed lines forming no part of the claimed design.

1 Claim, 4 Drawing Sheets



US D651,575 S

U.S. PATENT DOCUMENTS					
5,293,308 A	3/1994	Boys et al.		D551,177 S	9/2007 Larson et al.
D353,798 S	12/1994	Bryde		D551,178 S	9/2007 Mayo et al.
5,399,926 A	3/1995	Adams et al.		D551,179 S	9/2007 Mayo et al.
5,430,356 A	7/1995	Ference		D551,630 S	9/2007 Larson et al.
5,463,286 A	10/1995	D'Aleo et al.		D551,631 S	9/2007 Mayo et al.
5,485,058 A *	1/1996	Watson et al.	315/194	D552,042 S	10/2007 Mayo et al.
5,608,196 A	3/1997	Hall		D557,662 S	12/2007 Spira
5,670,858 A	9/1997	Heath		D557,664 S	12/2007 Hewson et al.
D389,461 S	1/1998	Mayo et al.		D557,665 S	12/2007 Hewson et al.
D389,805 S	1/1998	Mayo et al.		D572,664 S	7/2008 Hollner et al.
D395,037 S	6/1998	Mayo et al.		D572,665 S	7/2008 Hollner et al.
D404,013 S	1/1999	Mayo et al.		D572,666 S	7/2008 Biery et al.
5,903,139 A	5/1999	Kompelien		D573,546 S	7/2008 Hollner
D412,315 S	7/1999	Mayo et al.		D573,956 S	7/2008 Hollner et al.
D421,246 S	2/2000	Mayo et al.		D574,787 S	8/2008 Hollner
D422,567 S	4/2000	Mayo		D576,958 S	9/2008 Hollner
6,091,205 A	7/2000	Newman, Jr. et al.		D580,881 S	11/2008 Hollner
D428,855 S	8/2000	Mayo et al.		D580,882 S	11/2008 Hollner
6,120,262 A	9/2000	McDonough et al.		D580,883 S	11/2008 Hollner
D436,930 S	1/2001	Butler		D580,884 S	11/2008 Hollner
D437,585 S	2/2001	Mayo		D585,840 S	2/2009 Hollner
D437,834 S	2/2001	Mayo et al.		D585,841 S	2/2009 Hollner
6,218,787 B1	4/2001	Murcko et al.		D586,760 S	2/2009 Hollner et al.
D441,723 S	5/2001	Mayo et al.		D588,070 S	3/2009 Hollner et al.
D442,558 S	5/2001	Mayo et al.		D588,071 S	3/2009 Hollner et al.
D450,043 S	11/2001	Mosebrook		D588,072 S	3/2009 Hollner et al.
D453,742 S	2/2002	Butler		D588,073 S	3/2009 Hollner et al.
6,356,038 B2	3/2002	Bishel		D588,074 S	3/2009 Hollner
6,380,696 B1 *	4/2002	Sembhi et al.	315/294	D588,075 S	3/2009 Hollner
D456,783 S	5/2002	Mayo et al.		D588,553 S	3/2009 Hollner et al.
D461,782 S	8/2002	Butler et al.		D595,663 S	7/2009 Hollner
D465,460 S	11/2002	Mayo		D595,665 S	7/2009 Hollner
D466,090 S	11/2002	Bennett		D595,666 S	7/2009 Hollner
D466,091 S	11/2002	Bennett		D596,140 S	7/2009 Hollner
D466,484 S	12/2002	Bennett		7,609,007 B1	10/2009 Kumar
6,545,434 B2	4/2003	Sembhi et al.		D604,743 S	11/2009 Altonen et al.
D475,024 S	5/2003	Bennett		D612,400 S	3/2010 Altonen et al.
D475,025 S	5/2003	Bennett		D613,305 S	4/2010 Altonen et al.
D490,061 S	5/2004	Bennett		7,796,057 B2 *	9/2010 Swatsky et al.
D510,074 S	9/2005	Larson et al.		D624,881 S	10/2010 Altonen et al.
6,969,959 B2	11/2005	Black et al.		D624,882 S	10/2010 Altonen et al.
D516,041 S	2/2006	Hobart et al.		D625,273 S *	10/2010 Felegy et al.
D519,939 S *	5/2006	Hedderich et al.	D13/164	D633,448 S	3/2011 Biery et al.
D535,950 S	1/2007	Alker et al.		D636,738 S *	4/2011 Feldstein et al.
D538,238 S	3/2007	Alker et al.		7,928,663 B1	4/2011 Kumar
D539,758 S	4/2007	Blair et al.		2002/0060530 A1	5/2002 Sembhi
D542,226 S	5/2007	Spira		2002/0067144 A1 *	6/2002 Hoffknecht et al.
D542,227 S	5/2007	Larson et al.		2005/0275354 A1	12/2005 Hausman et al.
D542,229 S	5/2007	Larson et al.		2005/0284738 A1	12/2005 Altonen
D543,158 S *	5/2007	Blair et al.	D13/162	2006/0255745 A1	11/2006 DeJonge
D546,294 S	7/2007	Mayo et al.		2007/0001654 A1	1/2007 Newman
D546,776 S	7/2007	Mierta et al.		2007/0285027 A1	12/2007 Gehman
D547,733 S	7/2007	Mayo et al.		2008/0024074 A1	1/2008 Mosebrook
D547,734 S	7/2007	Mayo et al.		2008/0111501 A1	5/2008 Dobbins et al.
D550,163 S	9/2007	Mayo et al.		2008/0237010 A1	10/2008 Patel et al.
D550,164 S	9/2007	Mayo et al.		2009/0039854 A1	2/2009 Blakely
D550,165 S	9/2007	Mayo et al.		2009/0108765 A1	4/2009 Weightman et al.
D550,166 S	9/2007	Mayo et al.		2010/0214756 A1	8/2010 Feldstein

* cited by examiner

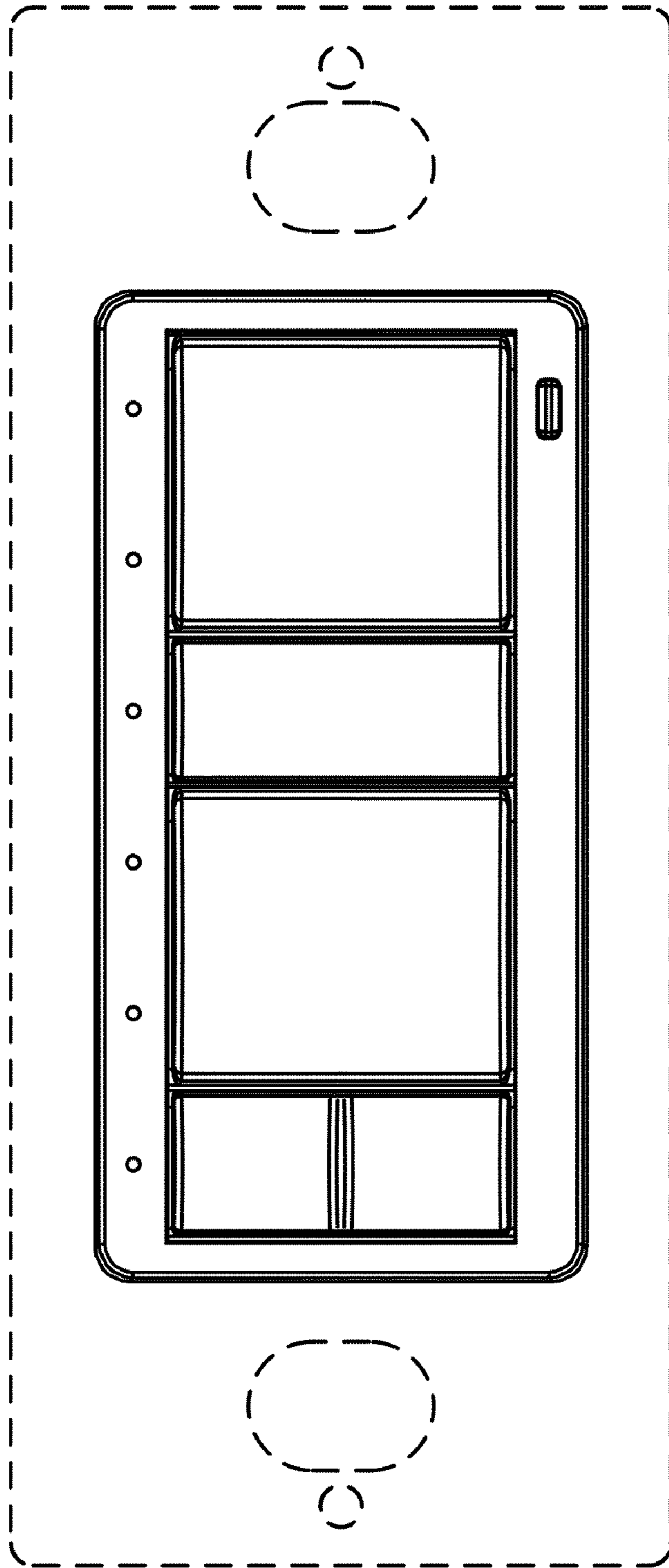


FIG. 1

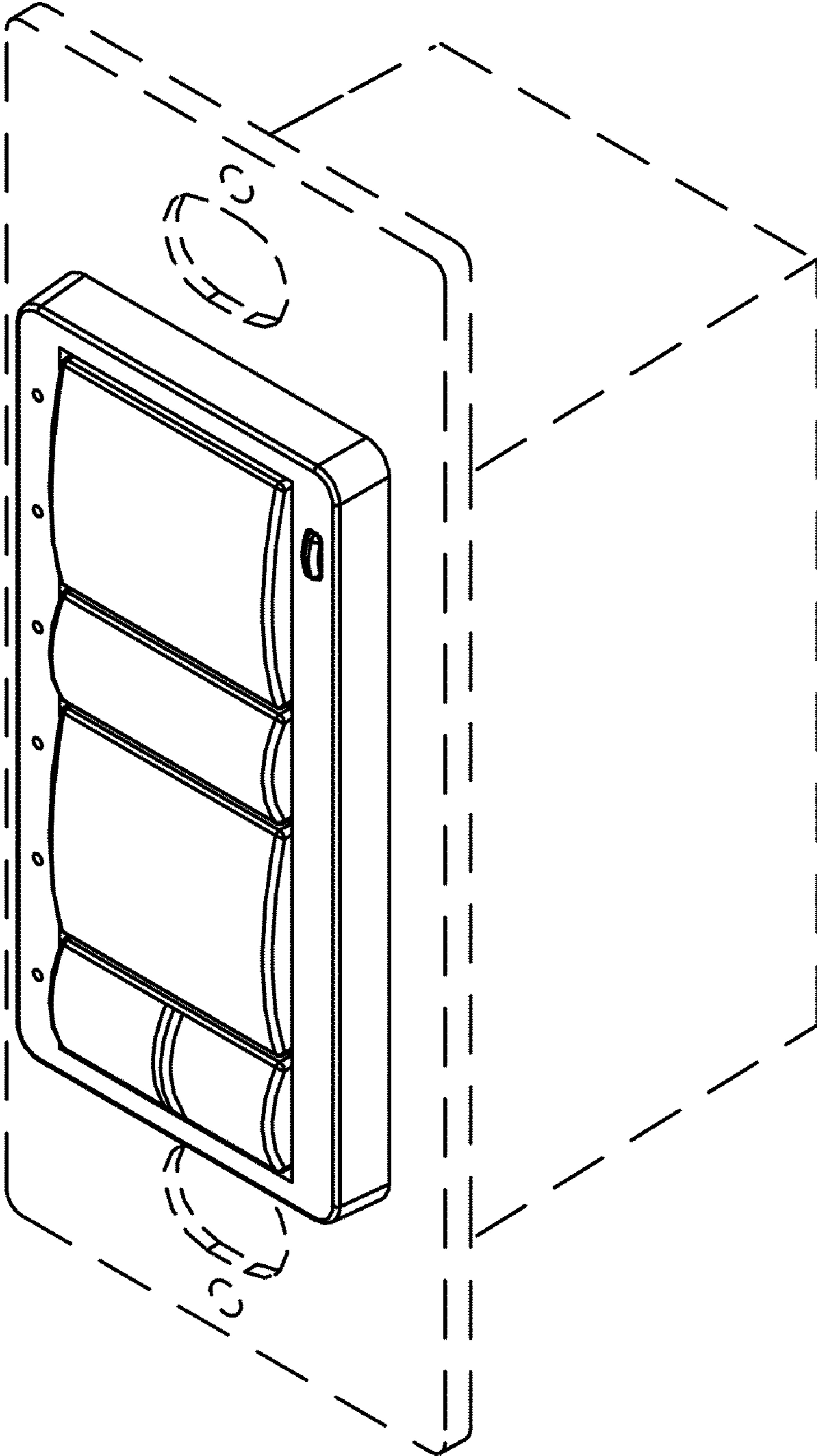


FIG. 2

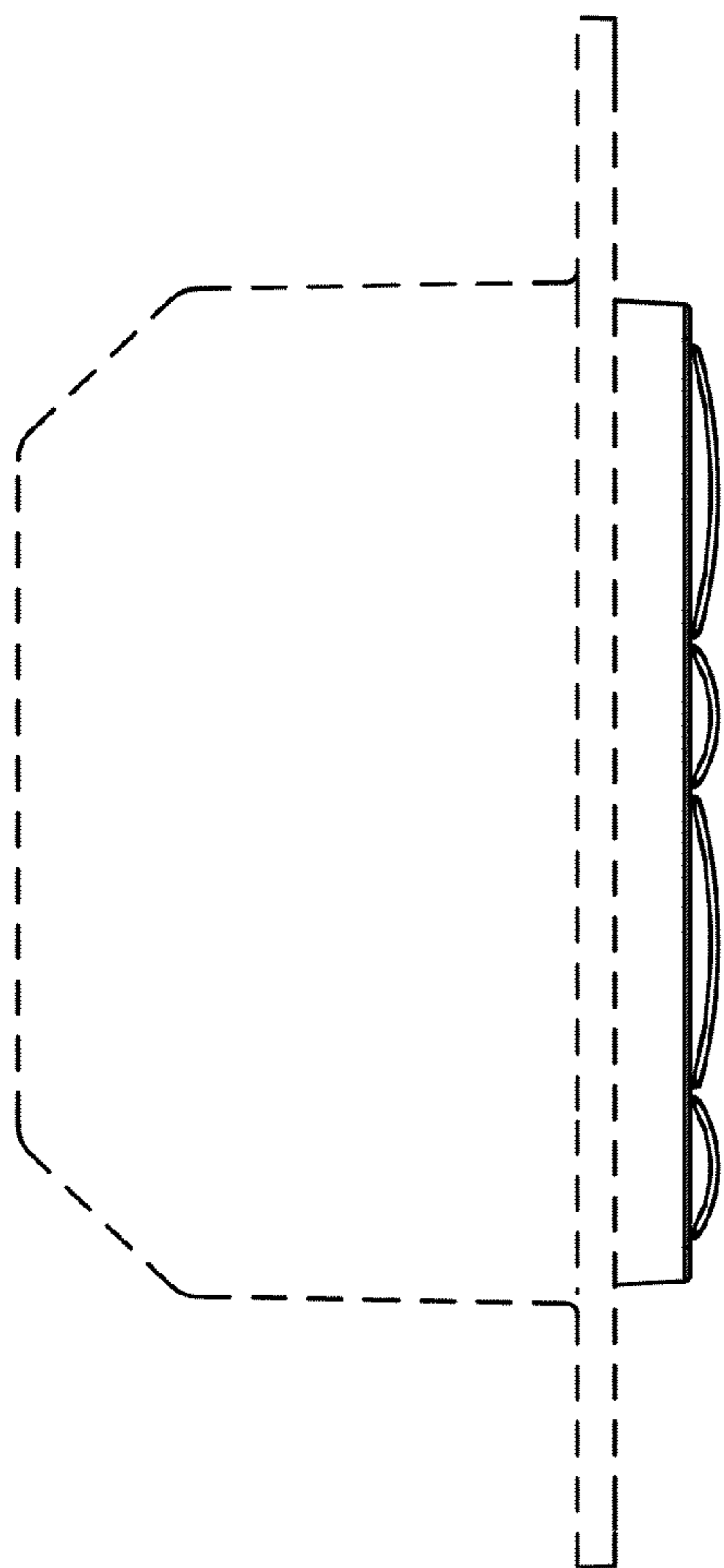


FIG. 3

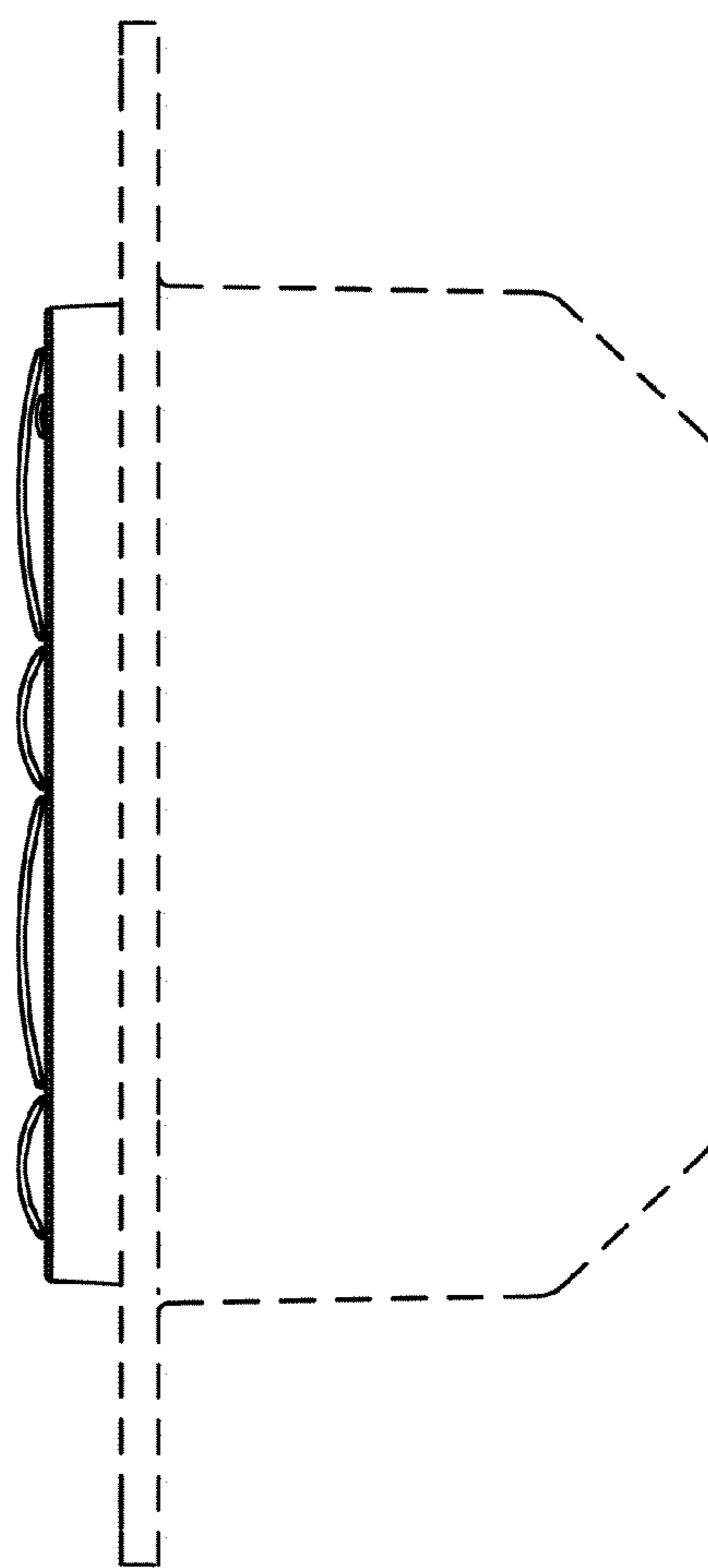


FIG. 4

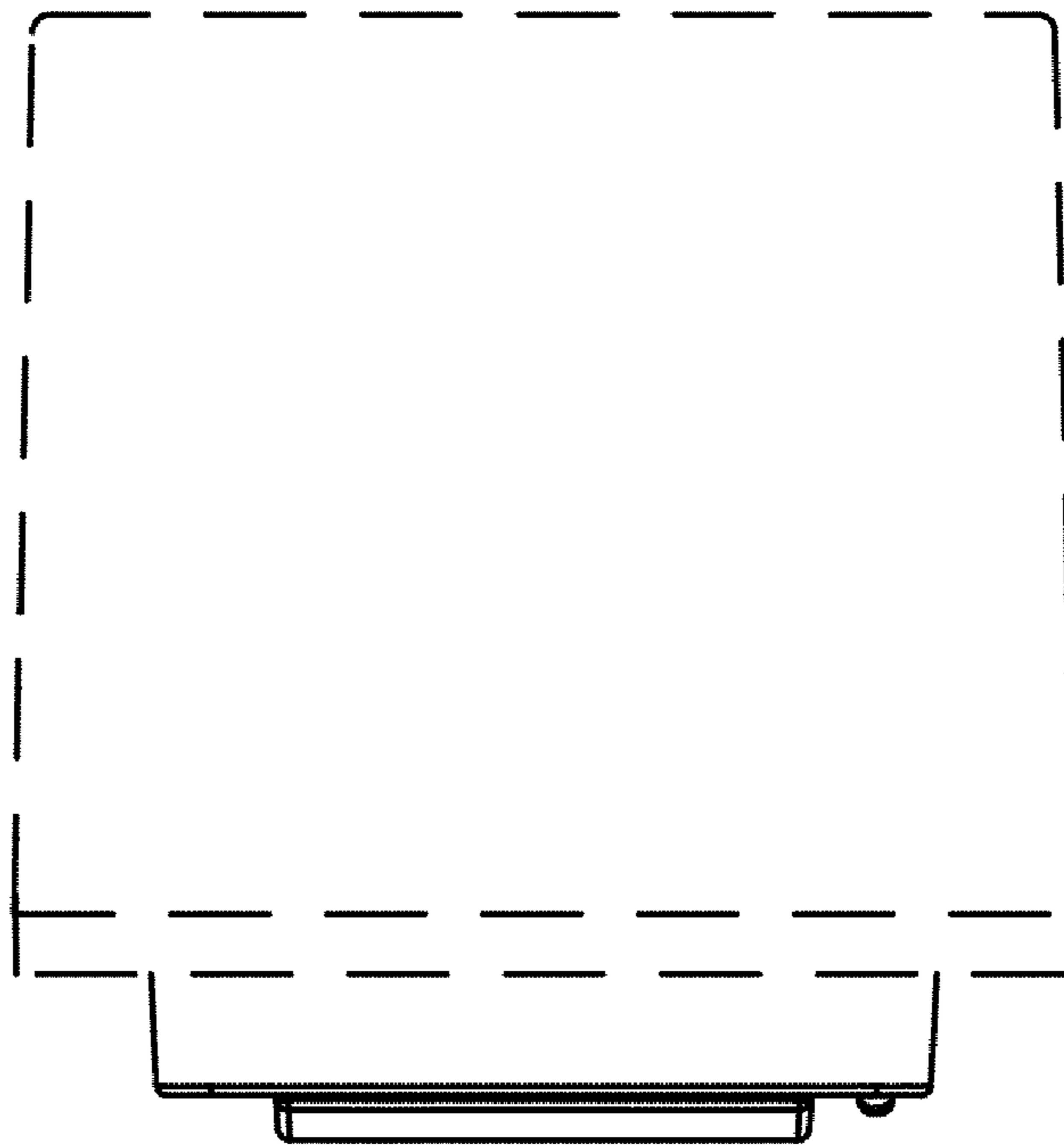


FIG. 5

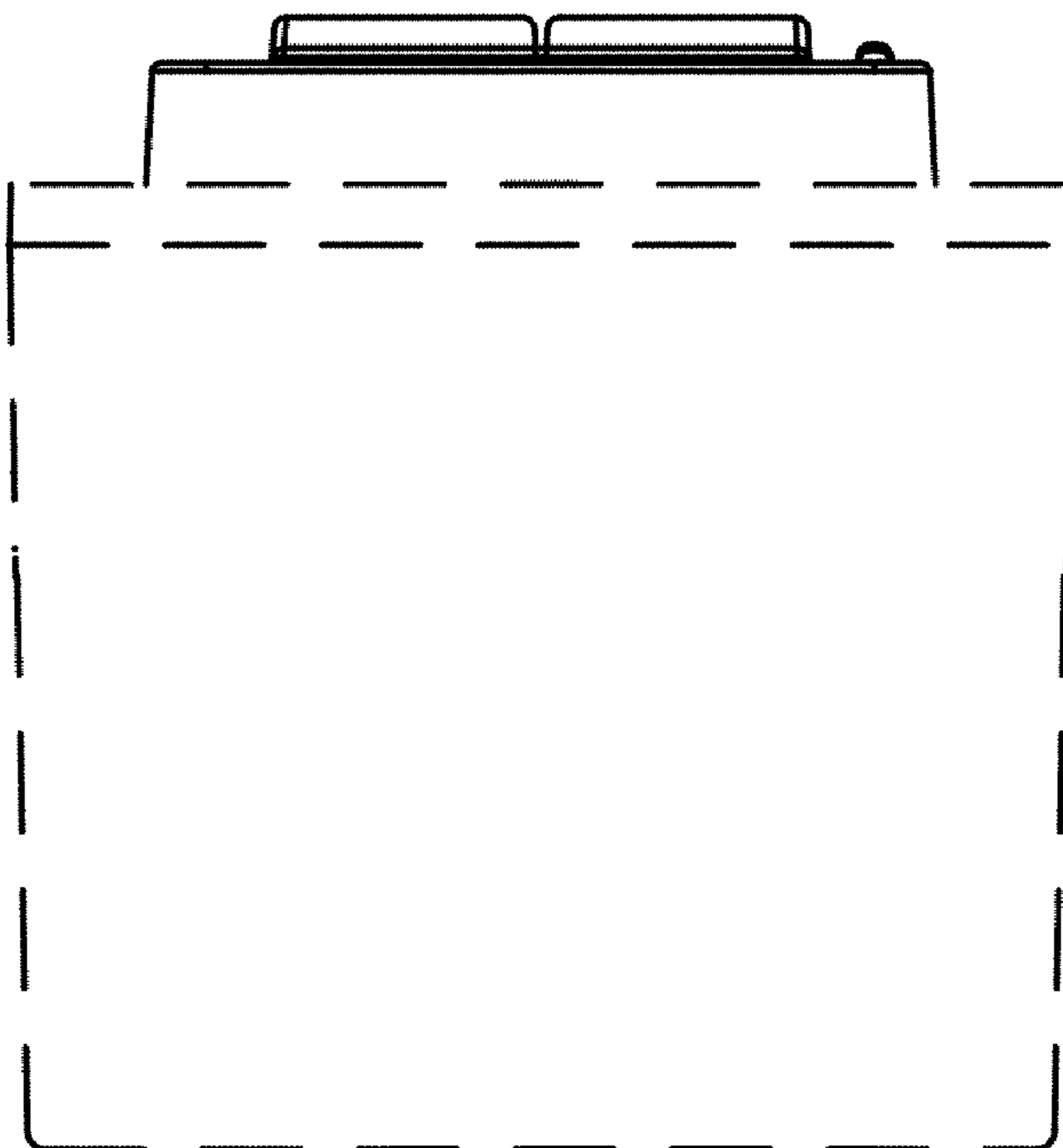


FIG. 6