



US00D651568S

(12) **United States Design Patent**
Hicks

(10) **Patent No.:** **US D651,568 S**

(45) **Date of Patent:** **** Jan. 3, 2012**

(54) **LAMP TERMINAL**

(75) Inventor: **James Hicks**, Redhill (GB)

(73) Assignee: **GEW (EC) Limited** (GB)

(**) Term: **14 Years**

(21) Appl. No.: **29/360,924**

(22) Filed: **May 3, 2010**

(30) **Foreign Application Priority Data**

Nov. 3, 2009 (EM) 001175384-001
Nov. 3, 2009 (EM) 001175384-002

(51) **LOC (9) Cl.** **13-03**

(52) **U.S. Cl.** **D13/134**

(58) **Field of Classification Search** D13/133-136,
D13/151, 154, 158, 162, 165, 184, 199; 439/11,
439/131, 226, 236, 256, 300, 336, 456, 534,
439/602, 614, 642, 667; D26/2, 24, 26, 3,
D26/60, 61, 106, 113; 362/103, 105, 260,
362/430, 581, 651; 713/600; 361/600; 315/56,
315/58, 159, 194, 272, 274, 291, 309, 312,
315/360, 361, 362; 313/318.01, 318.12;
307/147; 250/227.21, 238, 239; 200/51.04,
200/51.14, 51 R; D10/104, 106, 110
See application file for complete search history.

(56) **References Cited**

U.S. PATENT DOCUMENTS

D364,142 S * 11/1995 Metcalfe et al. D13/134
D367,847 S * 3/1996 Tarulli et al. D13/158

D380,731 S * 7/1997 Schadhauer D13/134
D517,480 S * 3/2006 Luo D13/134
D542,427 S * 5/2007 Takahashi D26/2
D549,854 S * 8/2007 Takahashi et al. D26/2
D583,322 S * 12/2008 Ohmori D13/134
D583,323 S * 12/2008 Ohmori D13/134
D583,761 S * 12/2008 Schenck D13/134
D599,292 S * 9/2009 Su et al. D13/147
D628,319 S * 11/2010 Yoshinobu et al. D26/2
7,854,633 B2 * 12/2010 Lynch et al. 439/669
D631,840 S * 2/2011 Qian D13/134

* cited by examiner

Primary Examiner — Thomas Johannes

(74) *Attorney, Agent, or Firm* — Nelson Mullins Riley &
Scarborough LLP; Anthony A. Laurentano

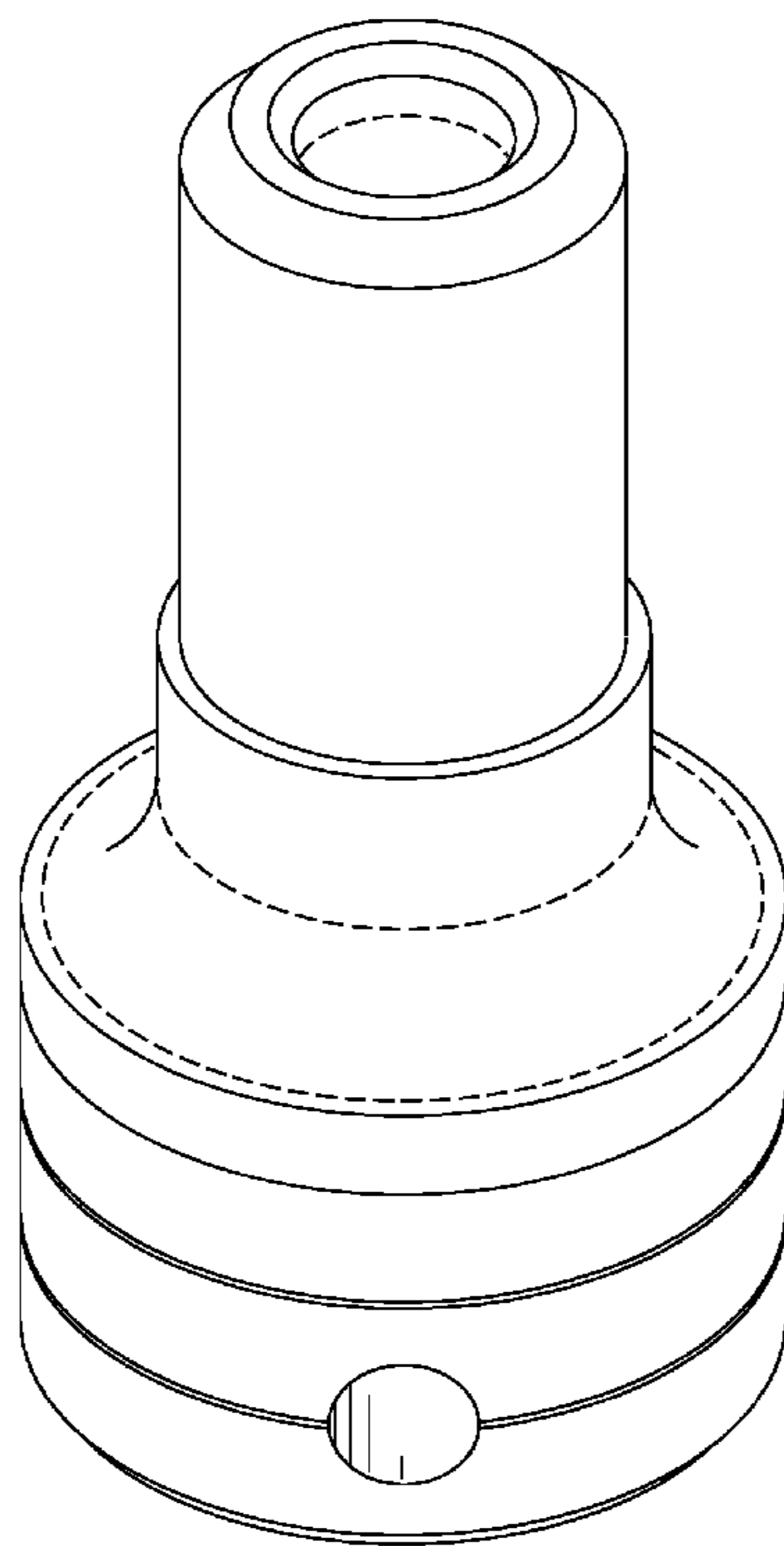
(57) **CLAIM**

The ornamental design for a lamp terminal, as shown and
described.

DESCRIPTION

FIG. 1 is a perspective view of a lamp terminal showing my
new design;
FIG. 2 is a front elevation view thereof;
FIG. 3 is a rear elevation view thereof;
FIG. 4 is a top plan view thereof;
FIG. 5 is a bottom plan view thereof;
FIG. 6 is a right side elevation view thereof; and,
FIG. 7 is a left side view thereof.
The details shown in dashed lines show unclaimed subject
matter only and form no part of the claimed ornamental
design.

1 Claim, 4 Drawing Sheets



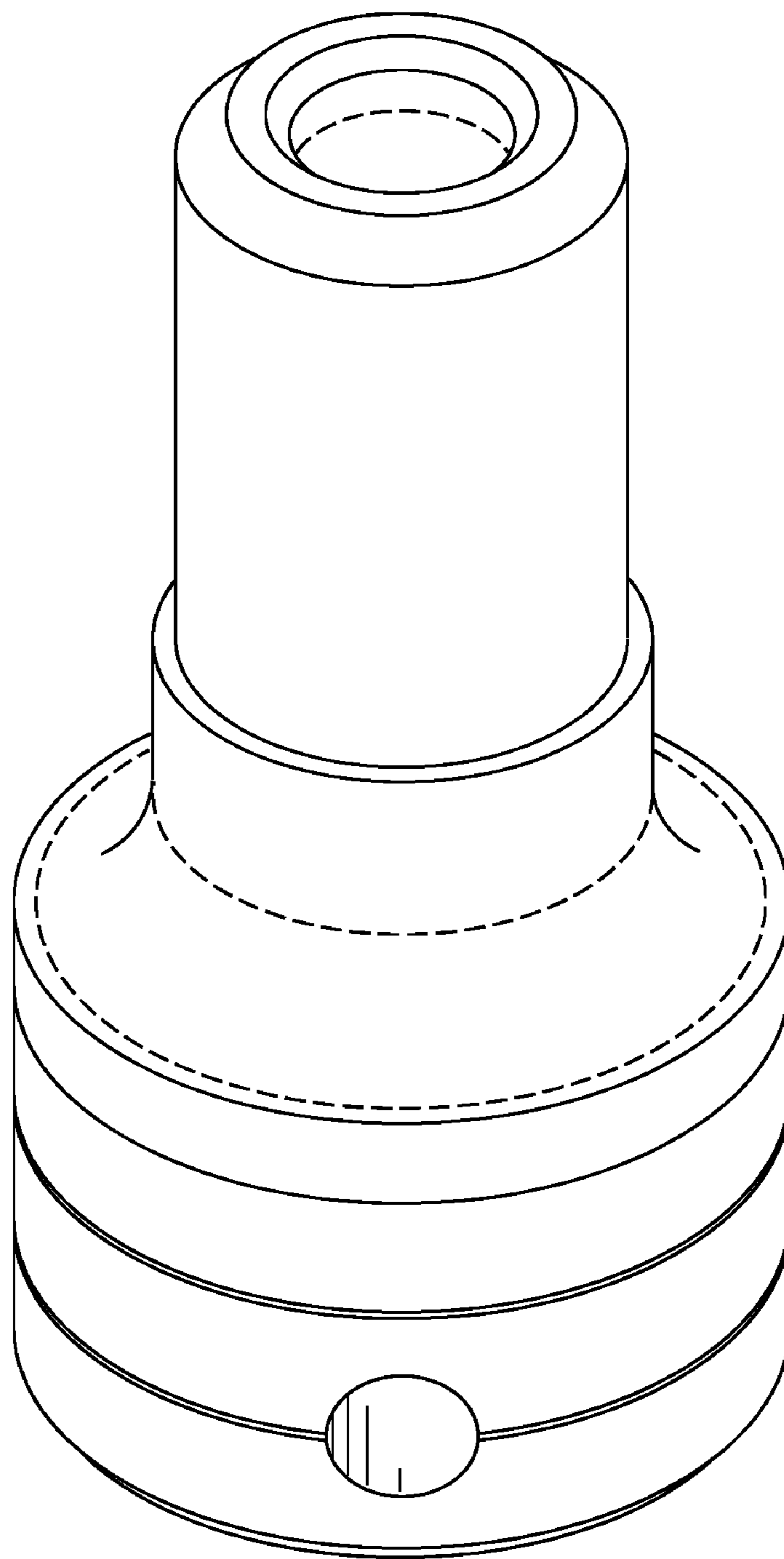


Fig. 1

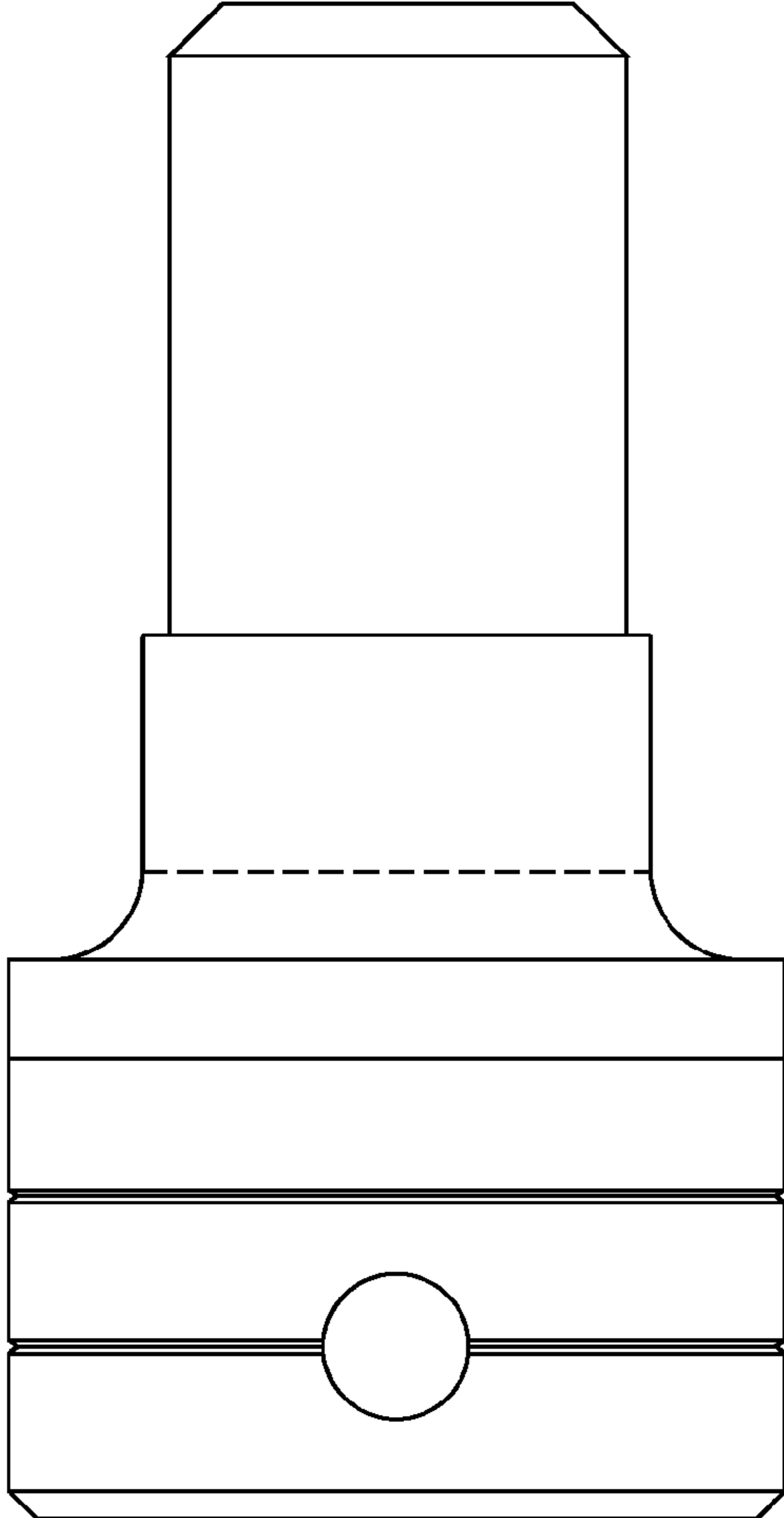


Fig. 2

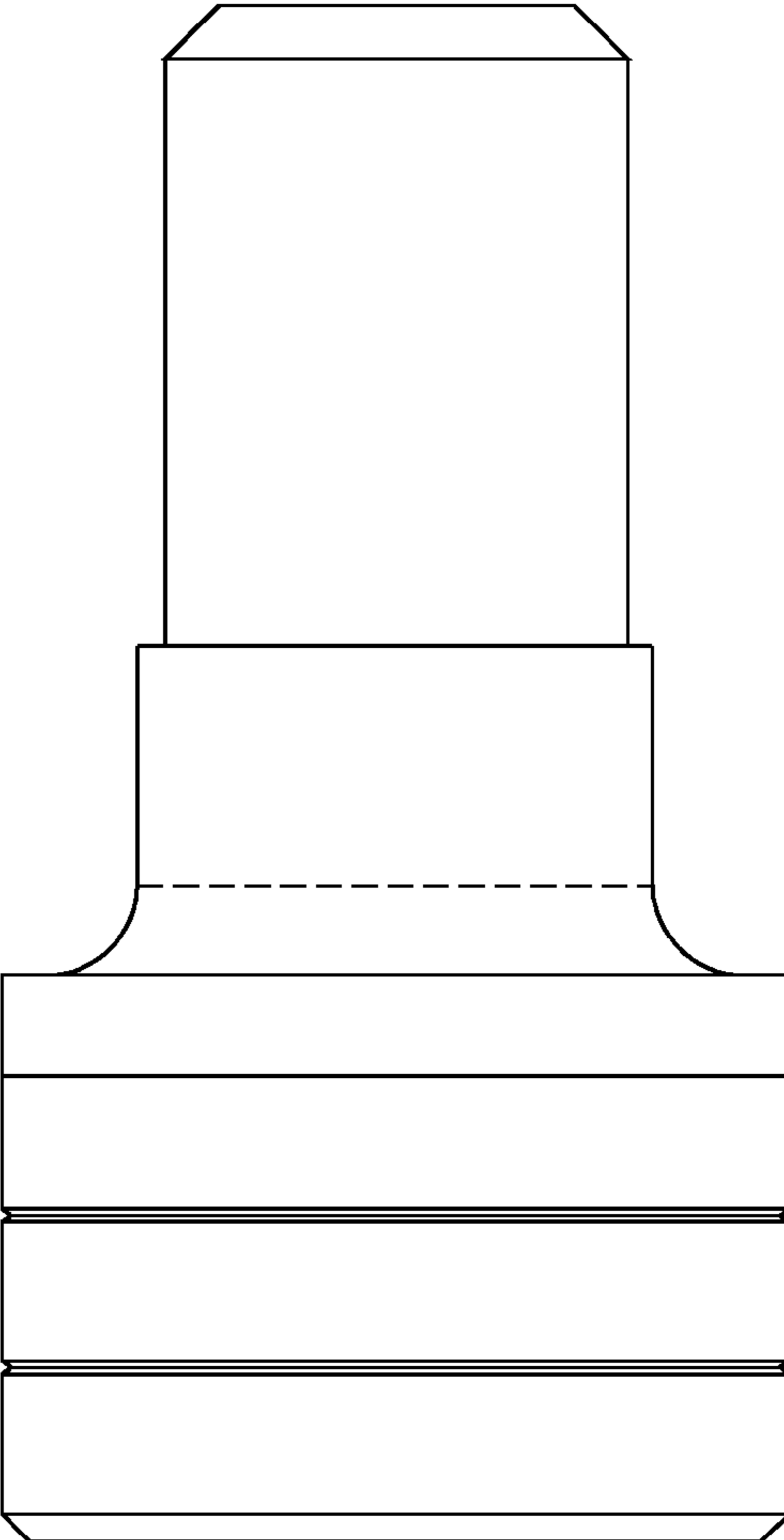


Fig. 3

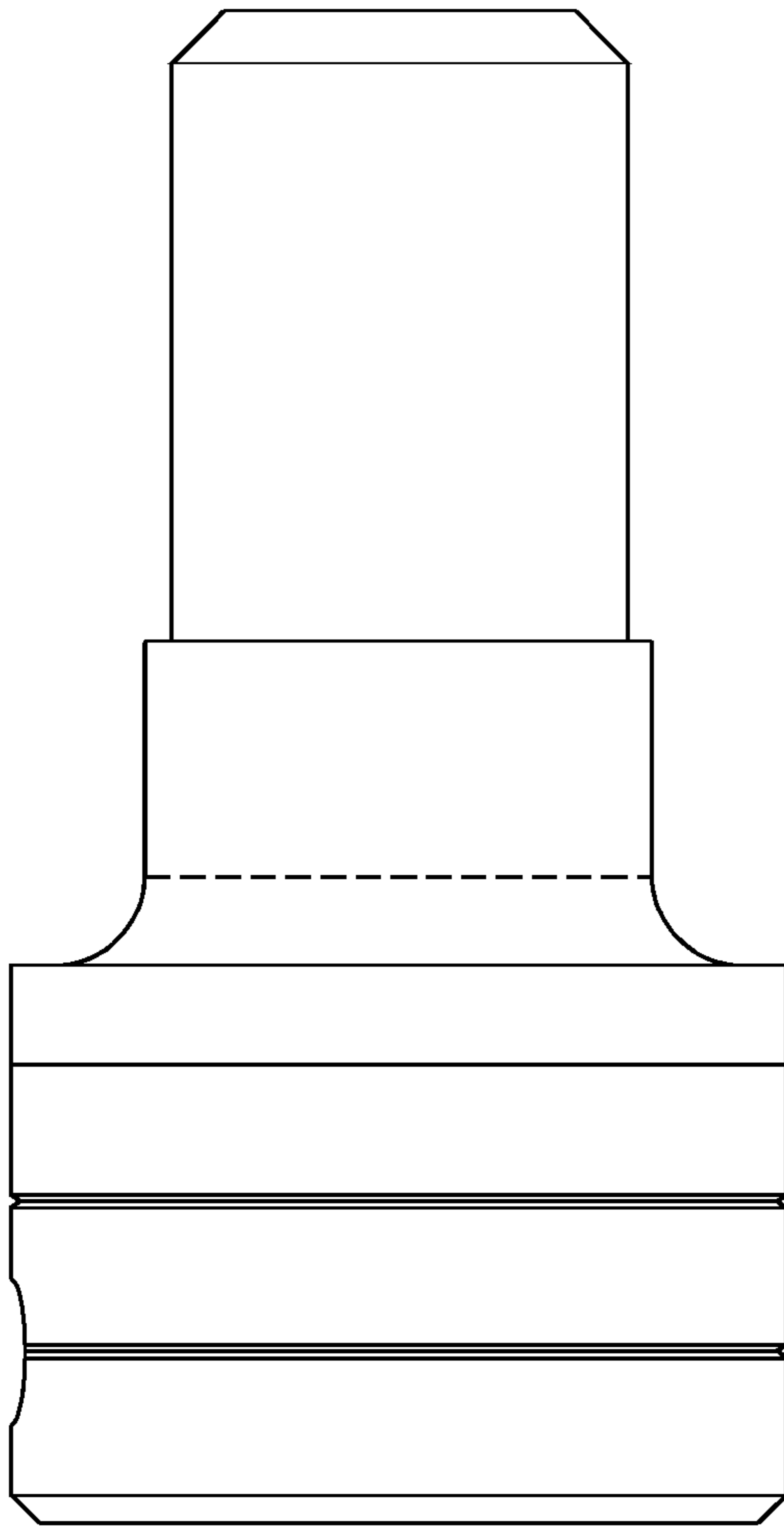


Fig. 4

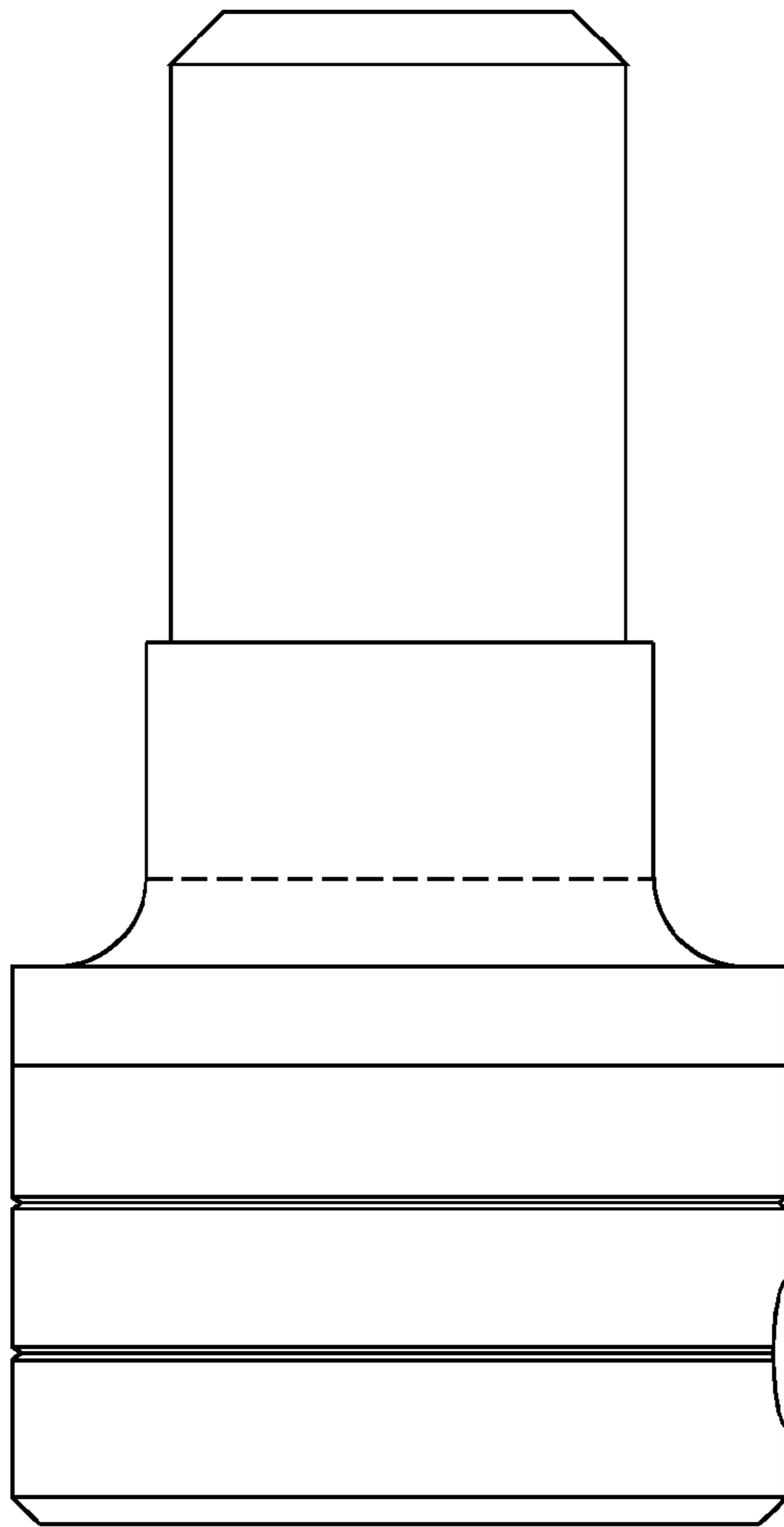


Fig. 5

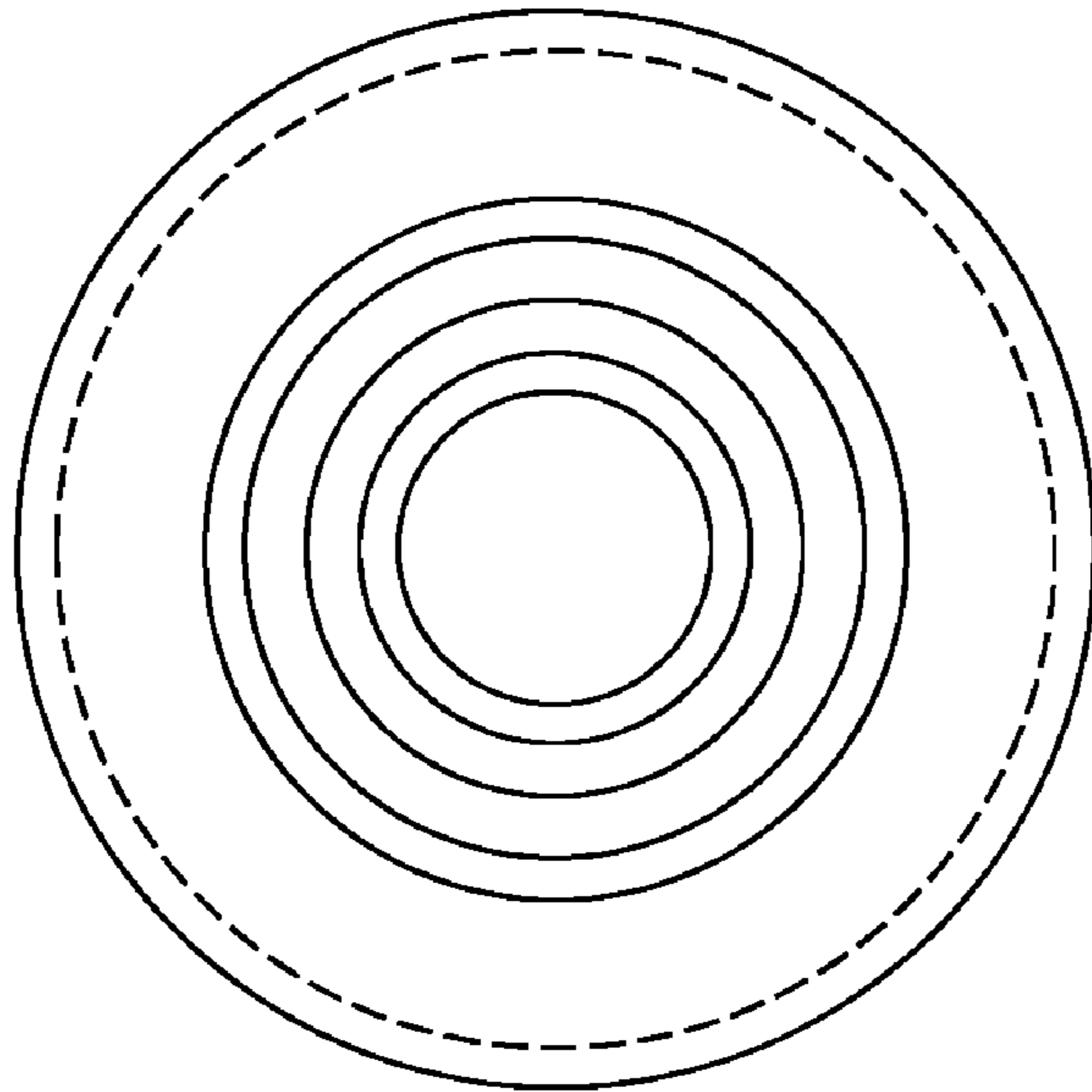


Fig. 6

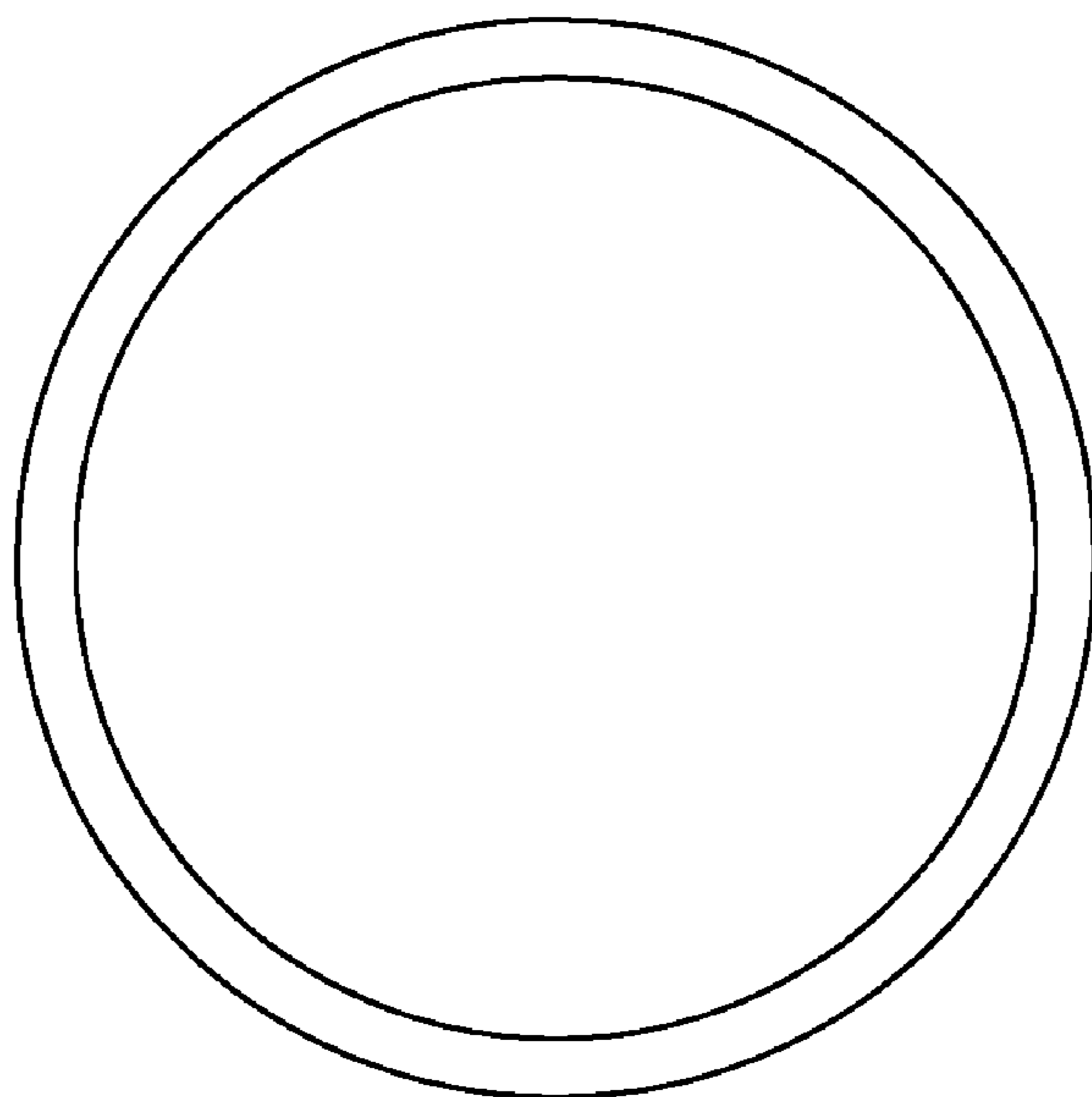


Fig. 7