



US00D651565S

(12) **United States Design Patent**  
**Yura et al.**

(10) **Patent No.:** **US D651,565 S**  
(45) **Date of Patent:** **\*\* Jan. 3, 2012**

(54) **PORTION OF POWER MODULE FOR POWER  
INVERTER**

(56)

**References Cited**

U.S. PATENT DOCUMENTS

(75) Inventors: **Masashi Yura**, Hitachinaka (JP);  
**Shinichi Fujino**, Mito (JP); **Yusuke**  
**Takagi**, Hitachinaka (JP); **Toshiya**  
**Satoh**, Hitachiota (JP); **Kinya Nakatsu**,  
Hitachinaka (JP); **Takeshi Tokuyama**,  
Hitachi (JP)

|              |    |   |         |                  |       |         |
|--------------|----|---|---------|------------------|-------|---------|
| D354,042     | S  | * | 1/1995  | Nogas            | ..... | D13/162 |
| D365,081     | S  | * | 12/1995 | Rodriguez        | ..... | D13/110 |
| 6,005,773    | A  | * | 12/1999 | Rozman et al.    | ..... | 361/707 |
| D463,362     | S  | * | 9/2002  | Alcantar et al.  | ..... | D13/110 |
| D466,076     | S  | * | 11/2002 | Nagashima et al. | ..... | D13/110 |
| D555,088     | S  | * | 11/2007 | Ohmi             | ..... | D13/110 |
| D556,686     | S  | * | 12/2007 | Matsuo et al.    | ..... | D13/110 |
| D598,846     | S  |   | 8/2009  | Satoh            |       |         |
| 2002/0167828 | A1 | * | 11/2002 | Parkhill et al.  | ..... | 363/144 |
| 2008/0186751 | A1 |   | 8/2008  | Tokuyama et al.  |       |         |

(73) Assignee: **Hitachi Automotive Systems, Ltd.**,  
Ibaraki (JP)

\* cited by examiner

(\*\*) Term: **14 Years**

*Primary Examiner* — Derrick Holland

(21) Appl. No.: **29/354,620**

(74) *Attorney, Agent, or Firm* — Antonelli, Terry, Stout & Kraus, LLP.

(22) Filed: **Jan. 27, 2010**

(57) **CLAIM**

We claim the ornamental design for a portion of power module for power inverter, as shown and described.

(30) **Foreign Application Priority Data**

**DESCRIPTION**

Dec. 11, 2009 (JP) ..... 2009-028926

FIG. 1 is a front, top and right side perspective view of a portion of power module for power inverter showing our new design;

(51) **LOC (9) Cl.** ..... **13-02**

FIG. 2 is a front elevational view thereof;

(52) **U.S. Cl.** ..... **D13/110; D13/118**

FIG. 3 is a rear elevational view thereof;

(58) **Field of Classification Search** ..... D13/110,  
D13/101, 118, 121, 162, 182, 199; 307/89,  
307/91, 150; 361/679, 707, 717, 718, 719,  
361/720, 736, 752, 775, 777, 815; 363/36,  
363/37, 55, 56.01, 131, 141, 142, 144

FIG. 4 is a left side elevational view thereof;

FIG. 5 is a right side elevational view thereof;

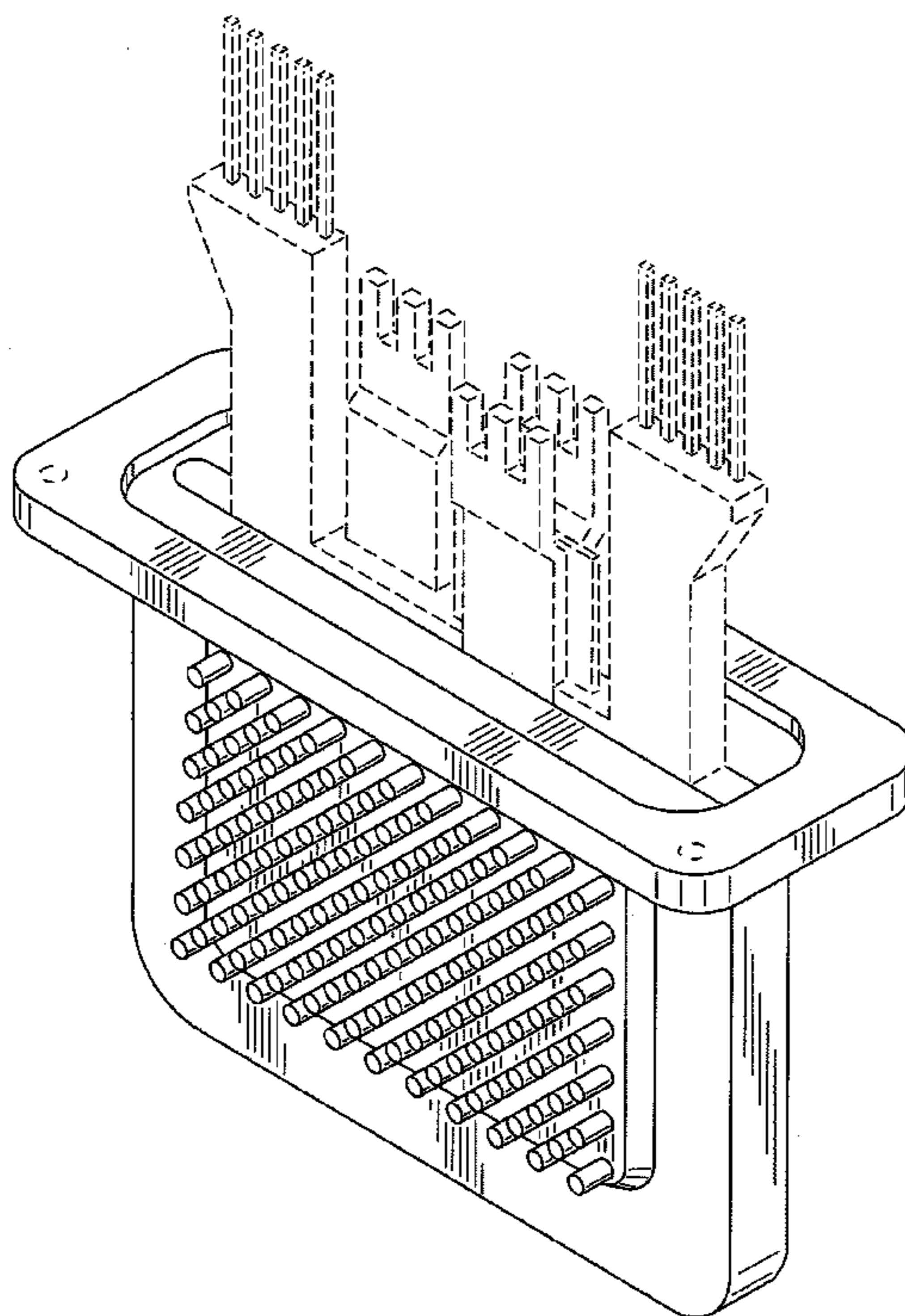
FIG. 6 is a top plan view thereof; and,

FIG. 7 is a bottom plan view thereof.

The broken lines shown represent unclaimed subject matter and form no part of the claimed design.

See application file for complete search history.

**1 Claim, 5 Drawing Sheets**



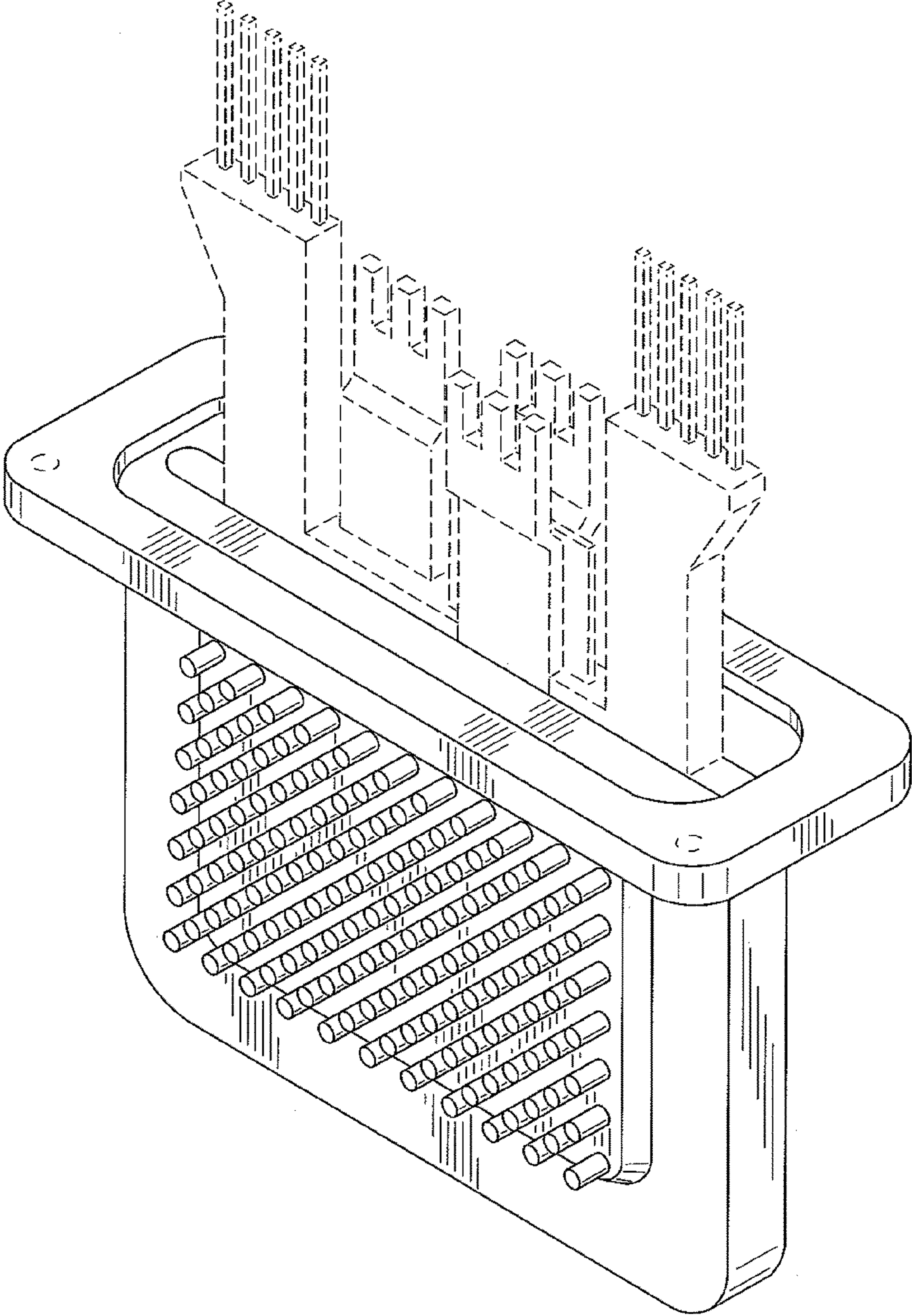


FIG. 1

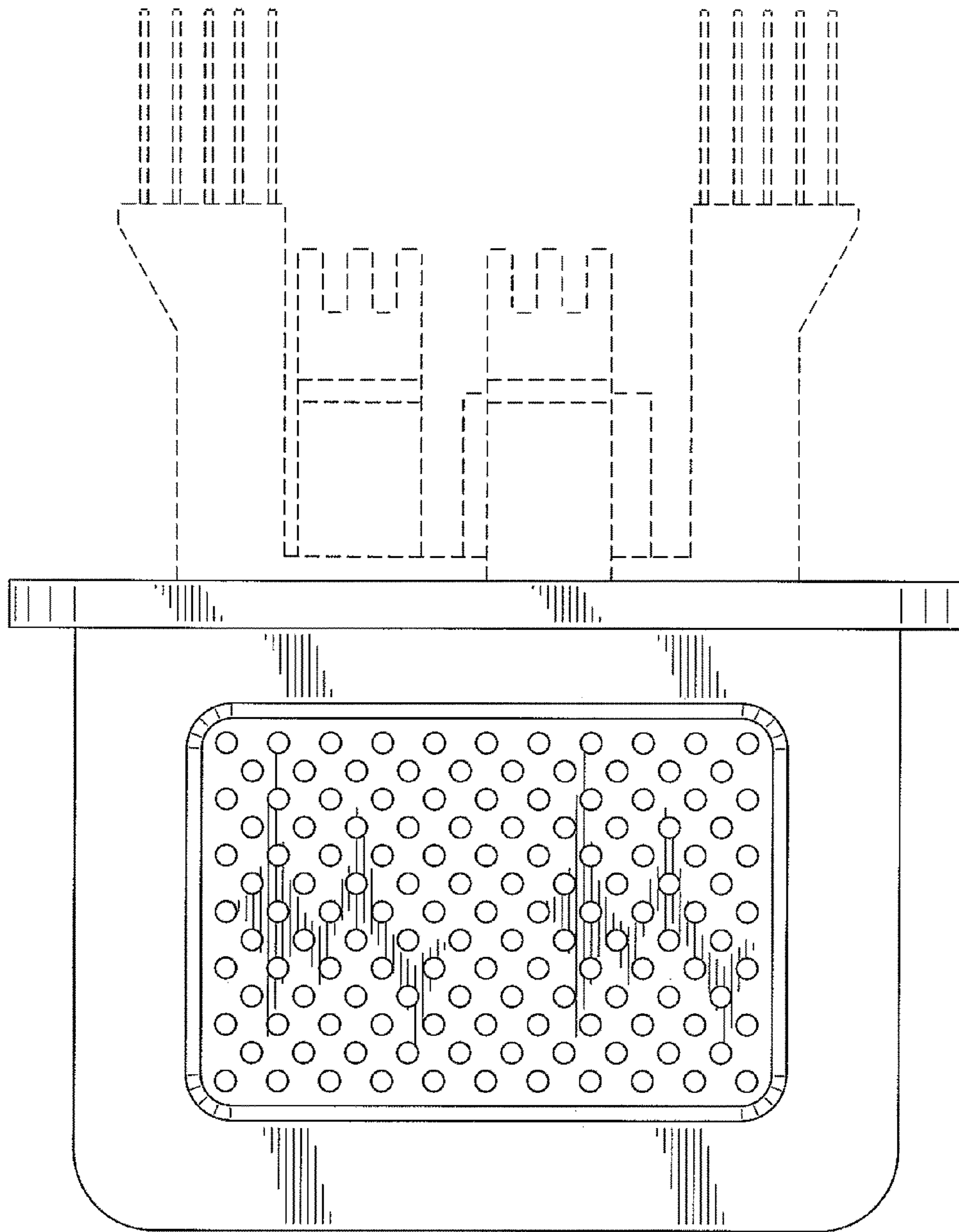


FIG. 2

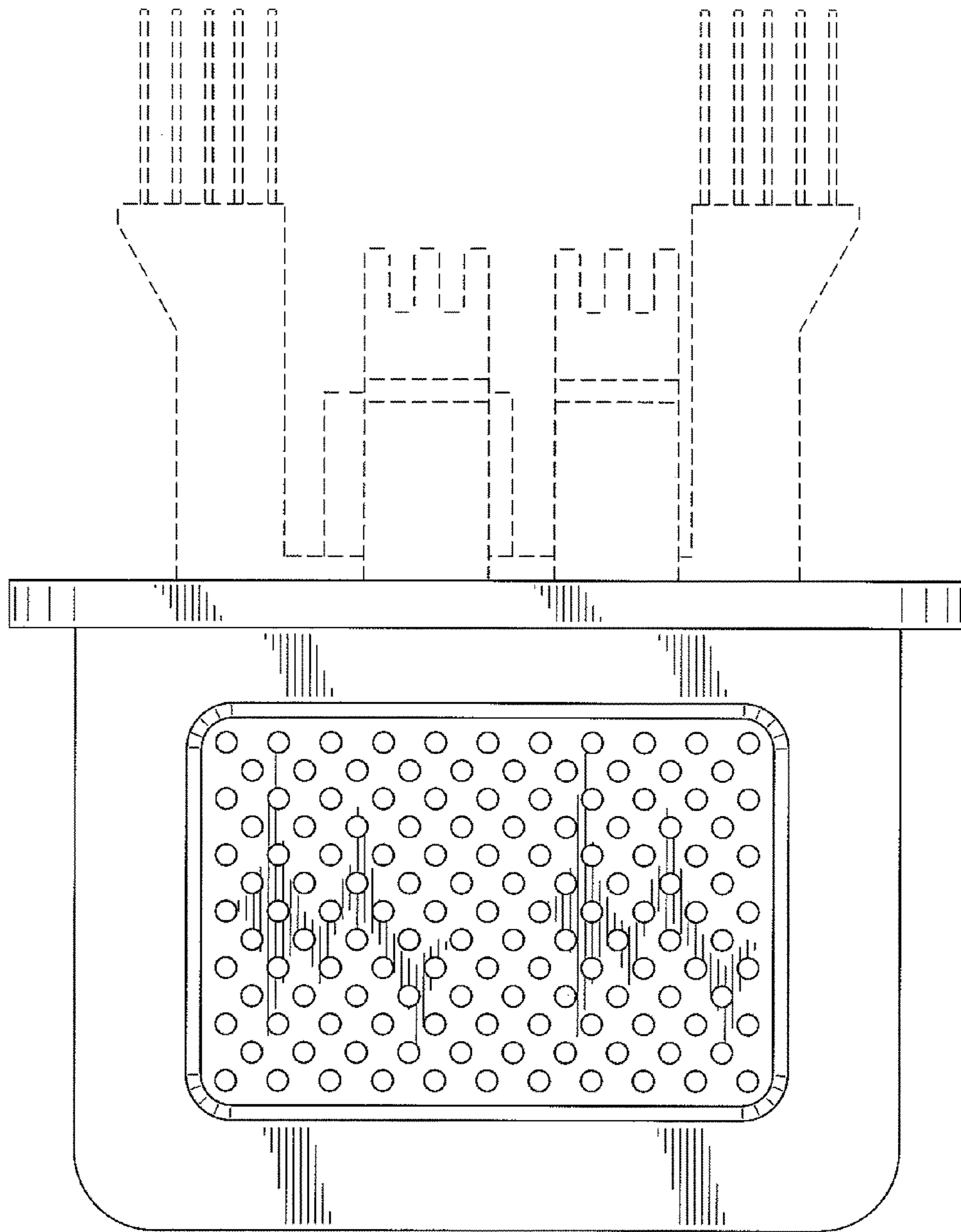


FIG. 3

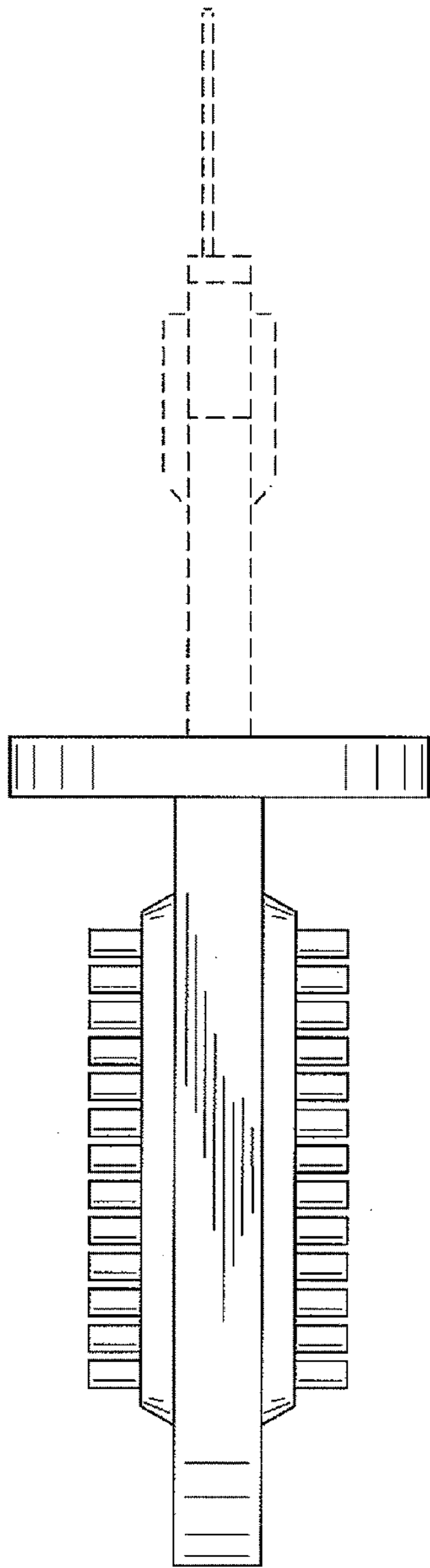


FIG. 4

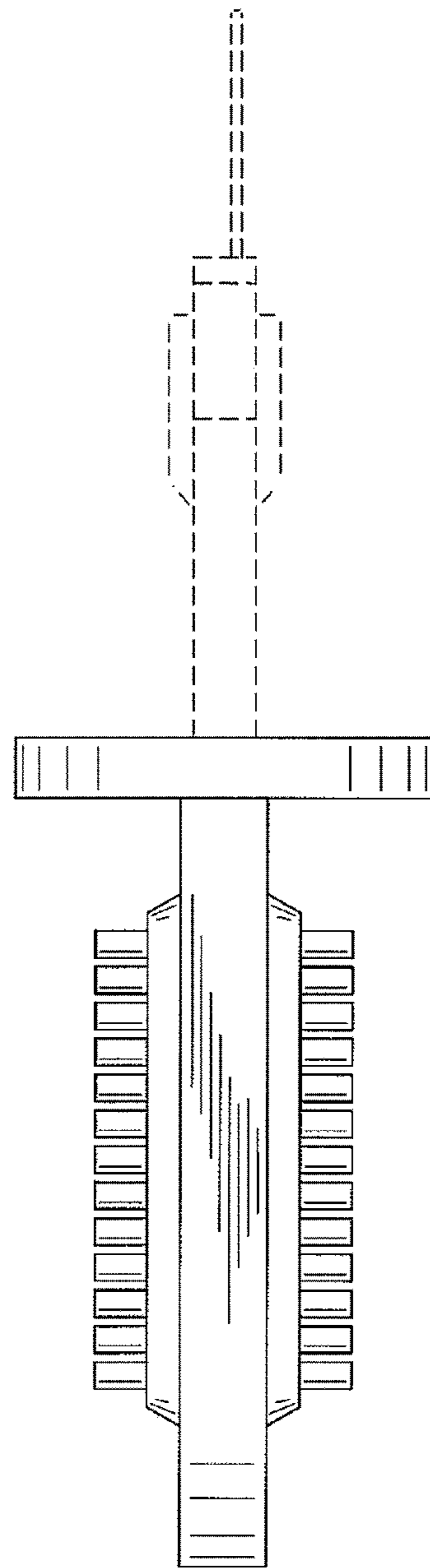


FIG. 5

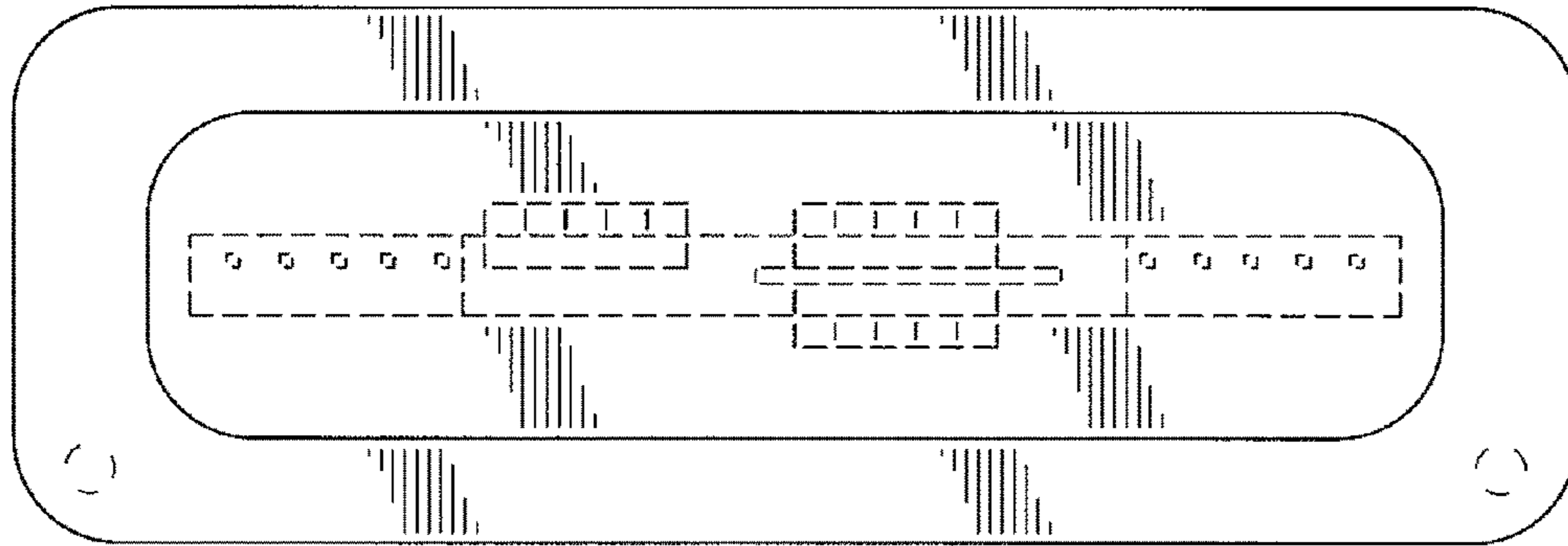


FIG. 6

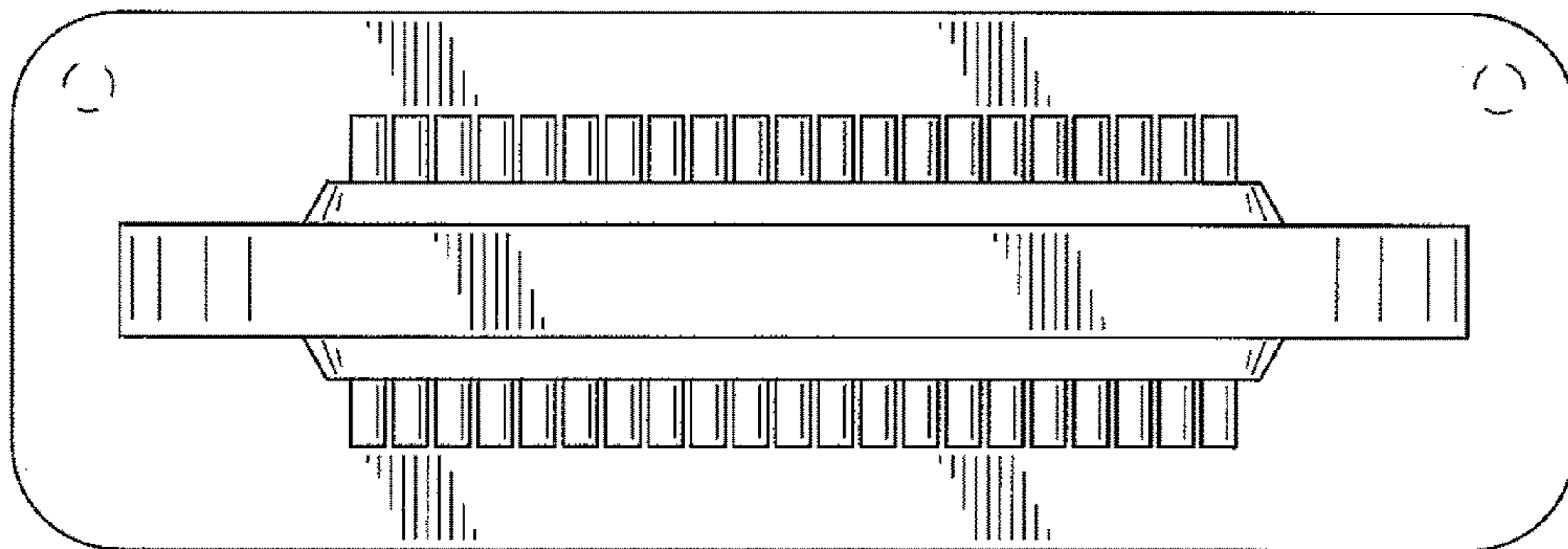


FIG. 7