



US00D651564S

(12) **United States Design Patent**
Workman et al.

(10) **Patent No.:** **US D651,564 S**
(45) **Date of Patent:** **** Jan. 3, 2012**

- (54) **PORTABLE BATTERY CHARGER**
- (75) Inventors: **Robert Emmett Workman**, Morgan, UT (US); **Norm Krantz**, Logan, UT (US); **Joseph R. Atkin**, Highland, UT (US)
- (73) Assignee: **Goal Zero LLC**, Bluffdale, UT (US)
- (**) Term: **14 Years**
- (21) Appl. No.: **29/387,867**
- (22) Filed: **Mar. 18, 2011**
- (51) **LOC (9) Cl.** **13-02**
- (52) **U.S. Cl.** **D13/108**
- (58) **Field of Classification Search** D13/107-110, D13/118-119, 184, 199; D14/251, 253, D14/432, 434; 320/107-115
See application file for complete search history.

- D564,960 S * 3/2008 Sacco et al. D13/107
- D565,506 S * 4/2008 Sacco et al. D13/107
- 7,390,590 B2 6/2008 Wani et al.
- D572,654 S * 7/2008 Kang et al. D13/107
- D574,321 S * 8/2008 Osiecki et al. D13/107
- D579,870 S 11/2008 Dunbar et al.
- D581,867 S 12/2008 Crawford et al.
- D591,232 S 4/2009 Zhuang
- D593,488 S 6/2009 Harrison et al.
- D599,733 S 9/2009 Mizuta et al.

(Continued)

Primary Examiner — Rosemary K Tarcza
(74) *Attorney, Agent, or Firm* — Foley & Lardner LLP

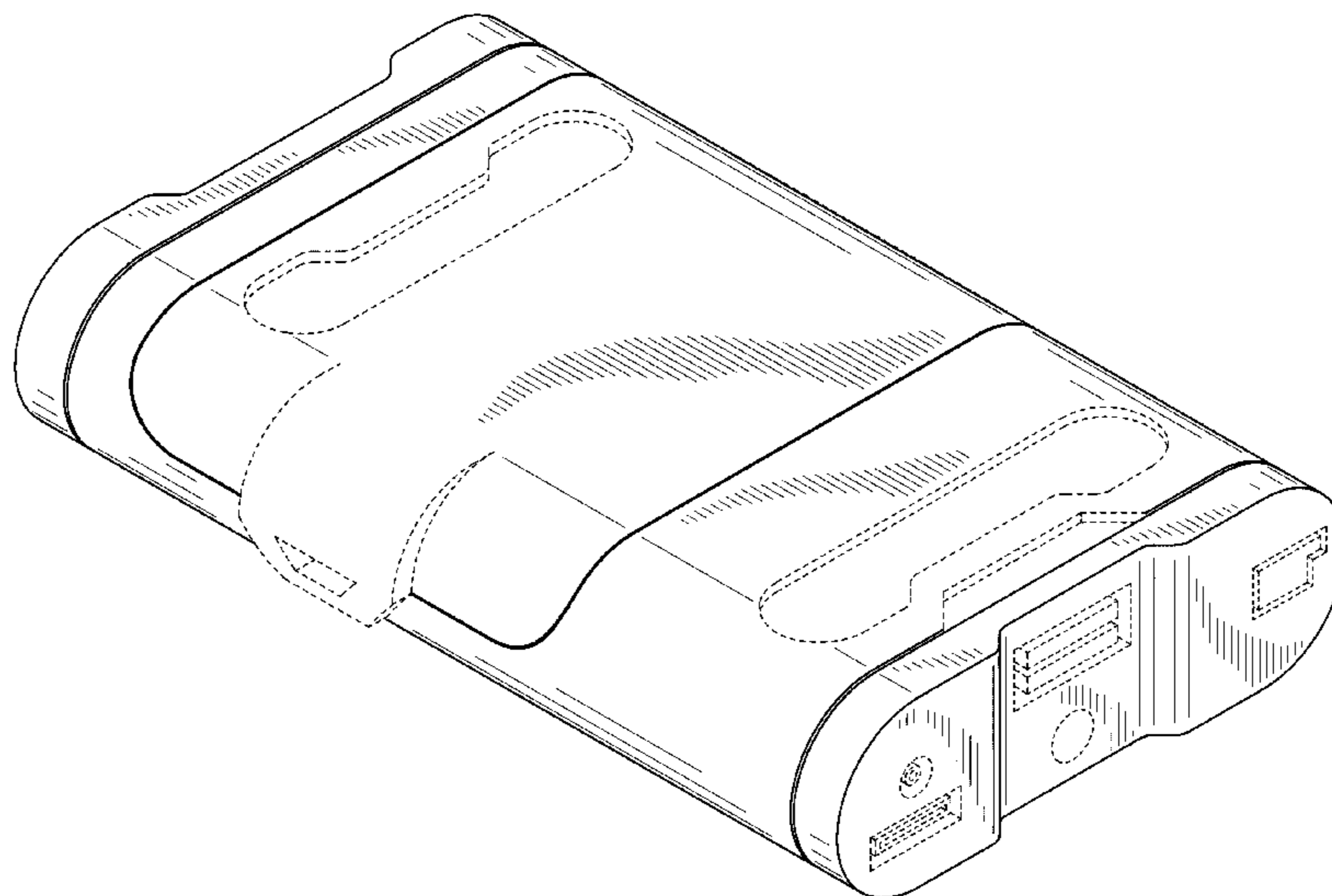
(57) **CLAIM**
We claim the ornamental design for a portable battery charger, as shown and described.

DESCRIPTION

FIG. 1 is a front perspective view of a first embodiment of the claimed design;
 FIG. 2 is a top view of the embodiment of FIG. 1;
 FIG. 3 is a bottom view of the embodiment of FIG. 1;
 FIG. 4 is a front view of the embodiment of FIG. 1;
 FIG. 5 is a back view of the embodiment of FIG. 1;
 FIG. 6 is a right side view of the embodiment of FIG. 1;
 FIG. 7 is a left side view of the embodiment of FIG. 1;
 FIG. 8 is a front perspective view of a second embodiment of the claimed design;
 FIG. 9 is a top view of the embodiment of FIG. 8;
 FIG. 10 is a bottom view of the embodiment of FIG. 8;
 FIG. 11 is a front view of the embodiment of FIG. 8;
 FIG. 12 is a back view of the embodiment of FIG. 8;
 FIG. 13 is a right side view of the embodiment of FIG. 8; and,
 FIG. 14 is a left side view of the embodiment of FIG. 8.
 The ornamental design which is claimed is shown in solid lines in the figures. The broken lines in the figures illustrate portions of the portable battery charger which form no part of the claimed design.

- (56) **References Cited**
- U.S. PATENT DOCUMENTS
- D292,975 S 12/1987 Kobayashi
- 4,988,584 A 1/1991 Shaper
- 5,057,761 A * 10/1991 Felegyhazi, Sr. 320/110
- D345,727 S 4/1994 Flowers et al.
- D354,729 S 1/1995 Poon
- D363,937 S 11/1995 Marks et al.
- D375,934 S * 11/1996 Rosen et al. D13/107
- D393,446 S 4/1998 Bellofatto et al.
- D400,160 S 10/1998 Nagano
- D403,660 S 1/1999 Poon
- D430,865 S 9/2000 Cosley et al.
- D444,125 S 6/2001 Shy
- D454,837 S * 3/2002 Ibuki et al. D13/107
- D478,557 S * 8/2003 Pfeiffer D13/107
- D509,181 S 9/2005 Nellenbach et al.
- D516,505 S 3/2006 Niitsuma et al.
- D545,268 S 6/2007 Shiu
- D546,281 S * 7/2007 Bell D13/107
- D555,586 S 11/2007 McConnell
- D559,175 S 1/2008 Houghton

1 Claim, 9 Drawing Sheets



US D651,564 S

Page 2

U.S. PATENT DOCUMENTS			
D600,000 S	9/2009	Horito et al.	
D603,789 S	11/2009	Hallee et al.	
D612,329 S *	3/2010	Guccione et al.	D13/108
			* cited by examiner
		D617,268 S *	6/2010 Yen D13/108
		D629,746 S	12/2010 Workman et al.
		2011/0148357 A1*	6/2011 Lu 320/111

FIGURE 1

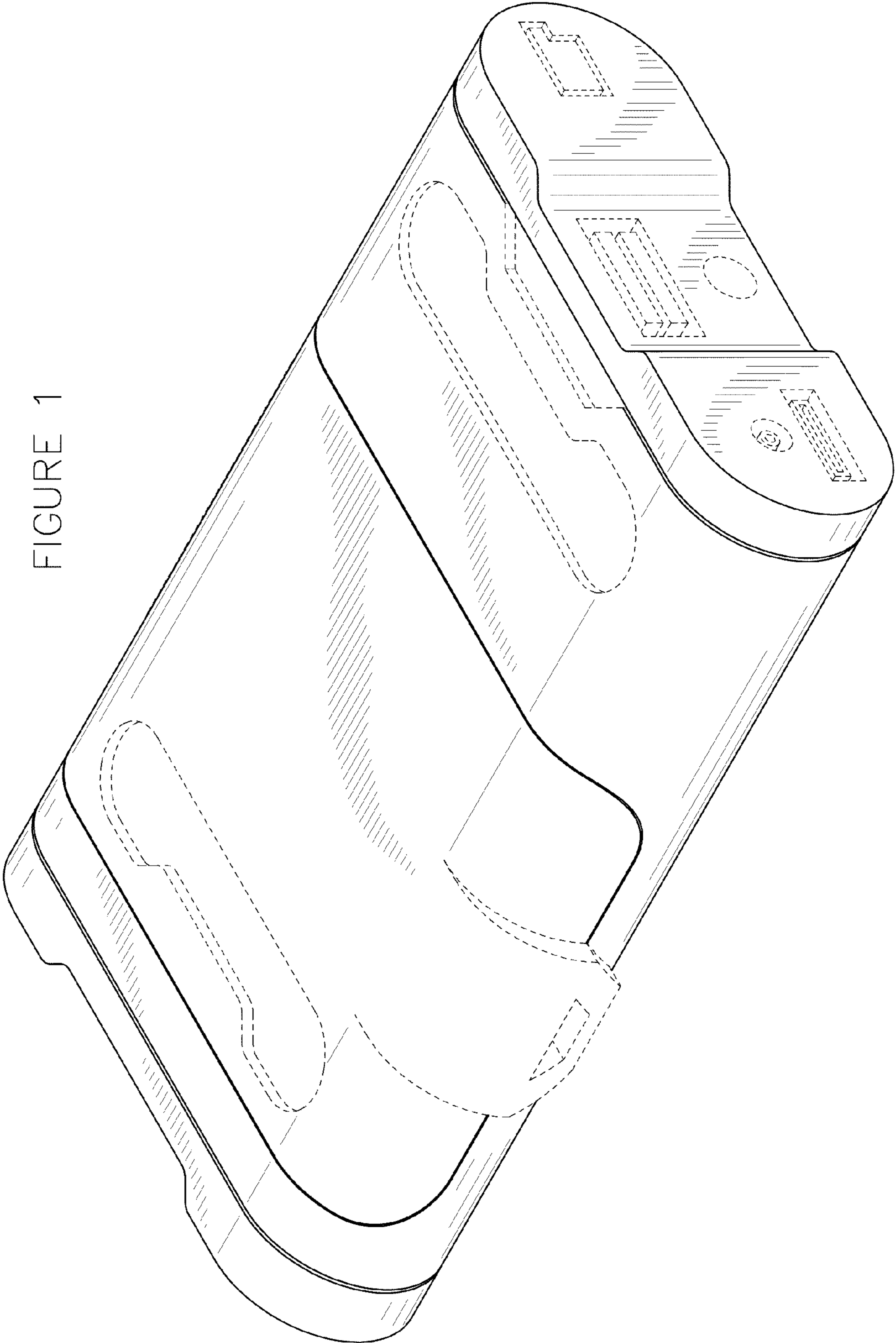


FIGURE 2

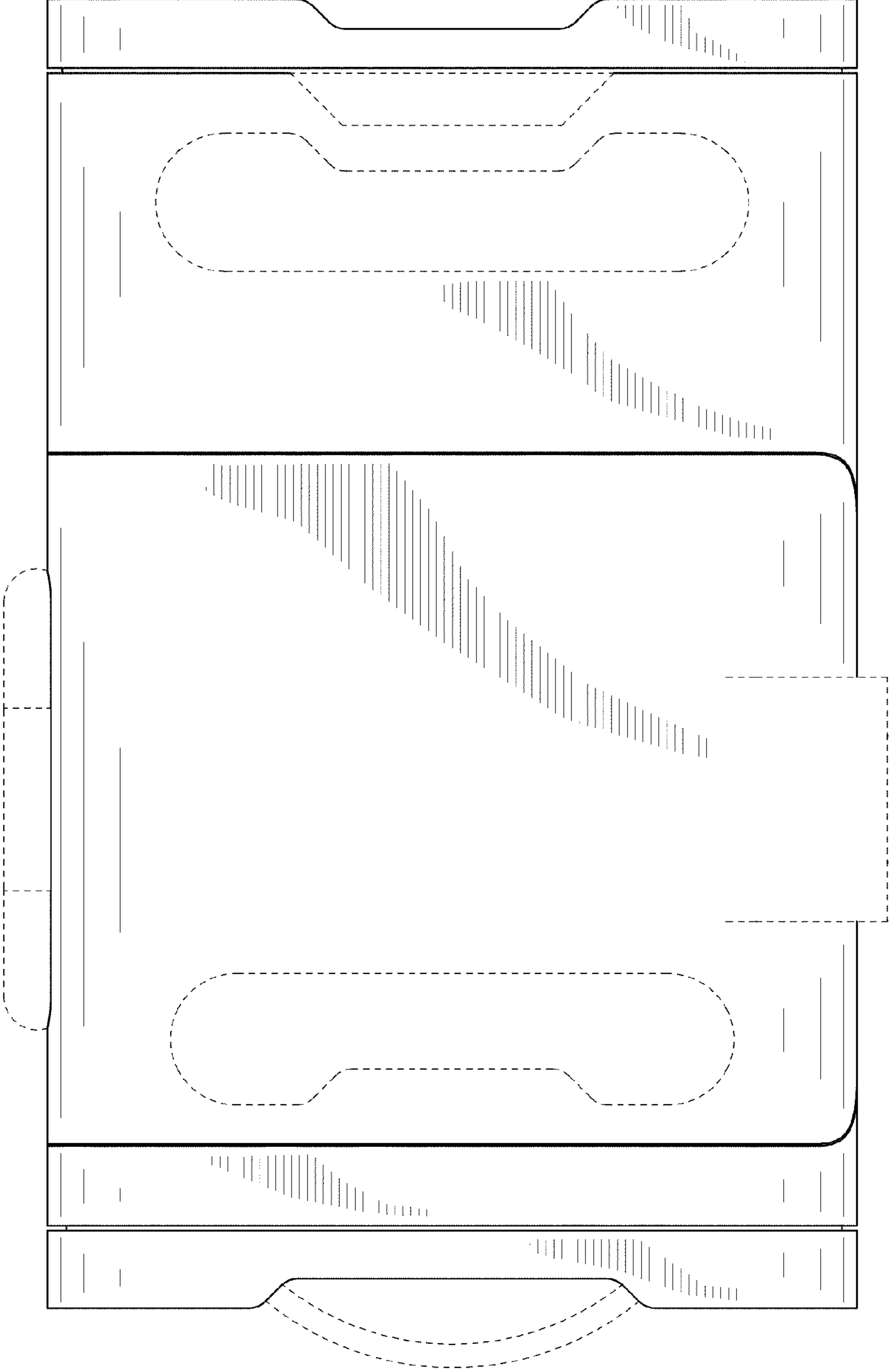


FIGURE 3

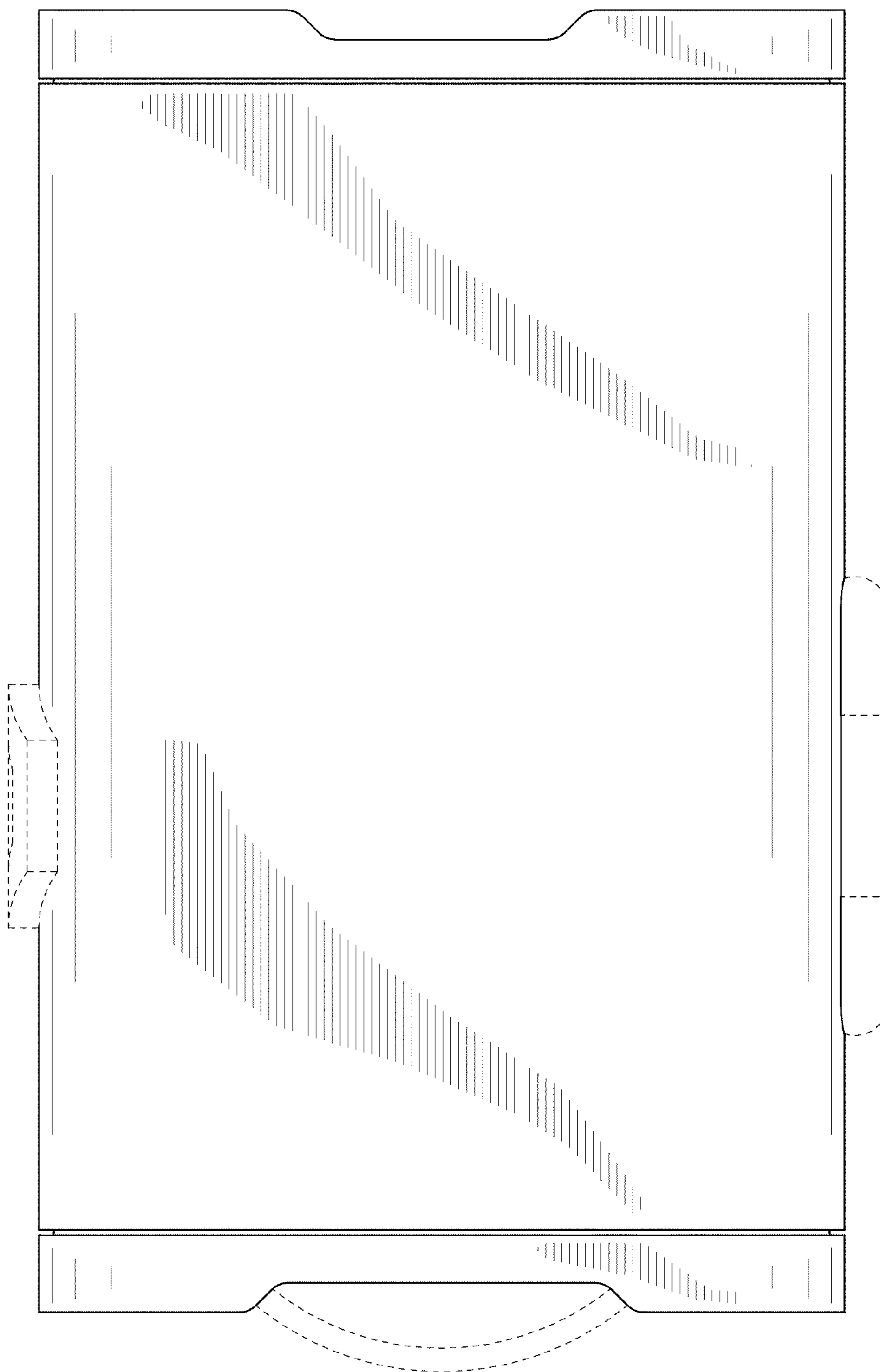


FIGURE 4

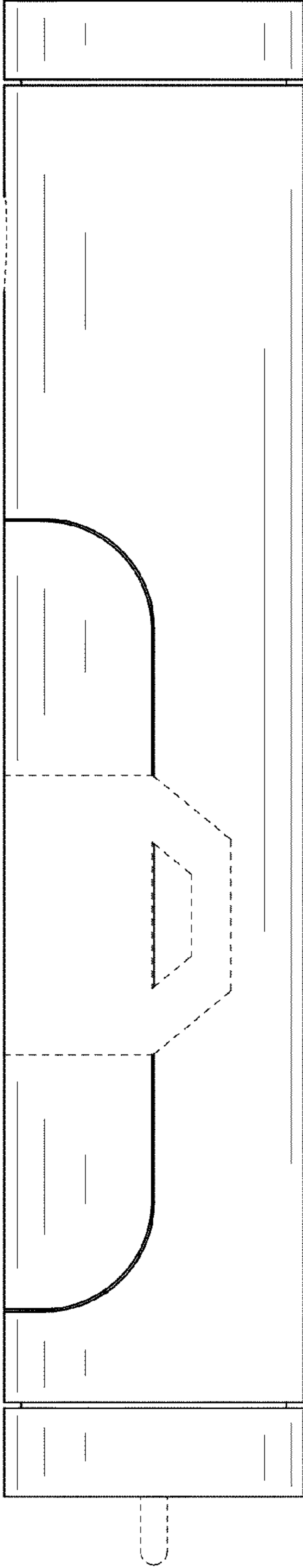


FIGURE 5

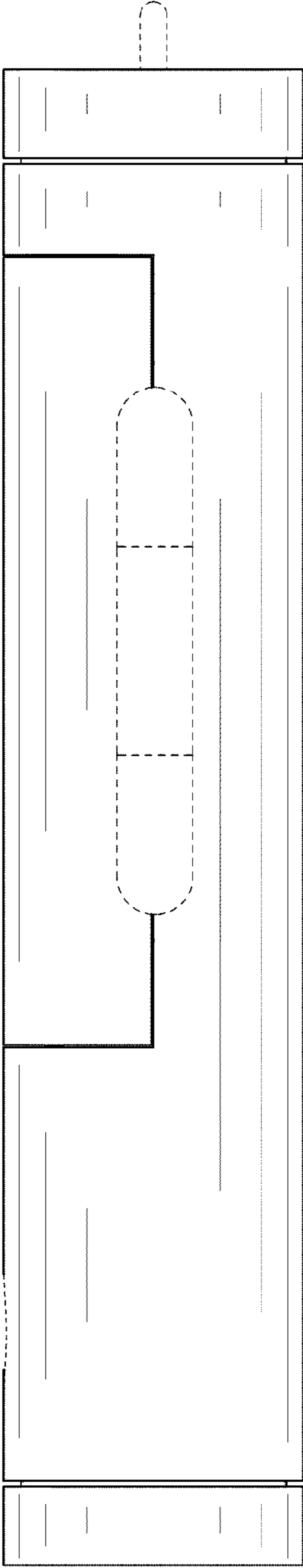


FIGURE 6

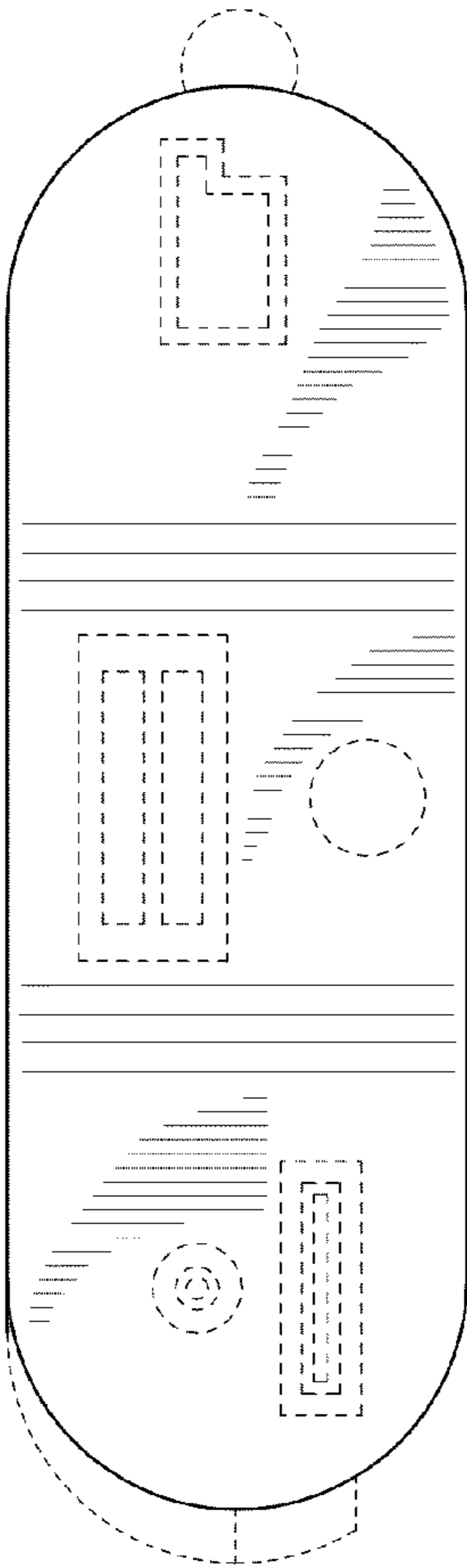


FIGURE 7

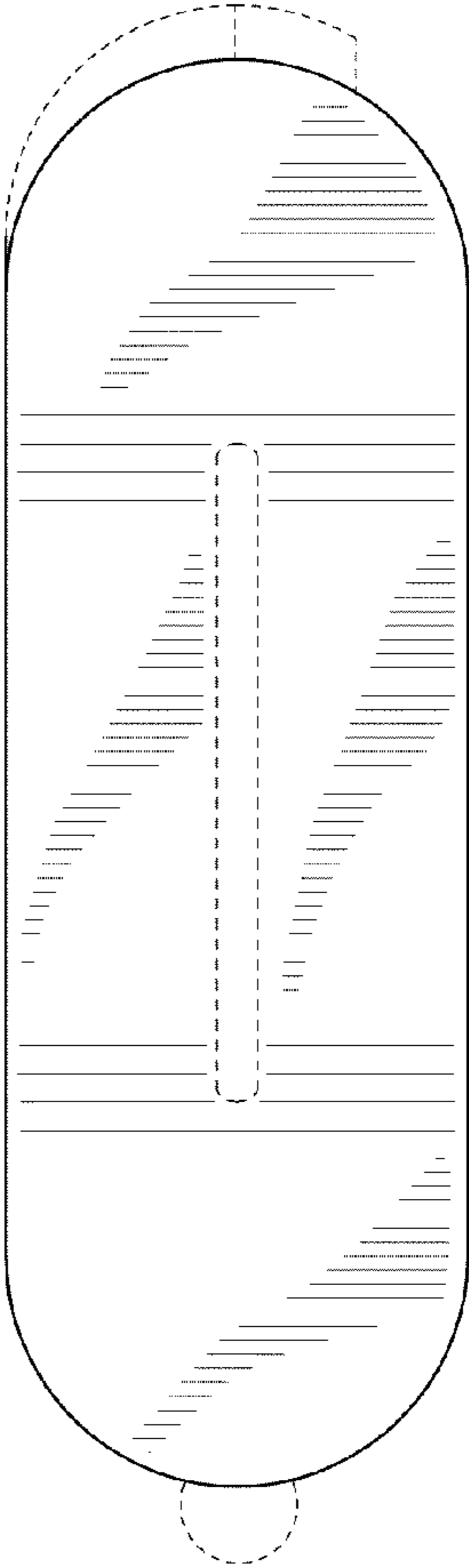


FIGURE 8

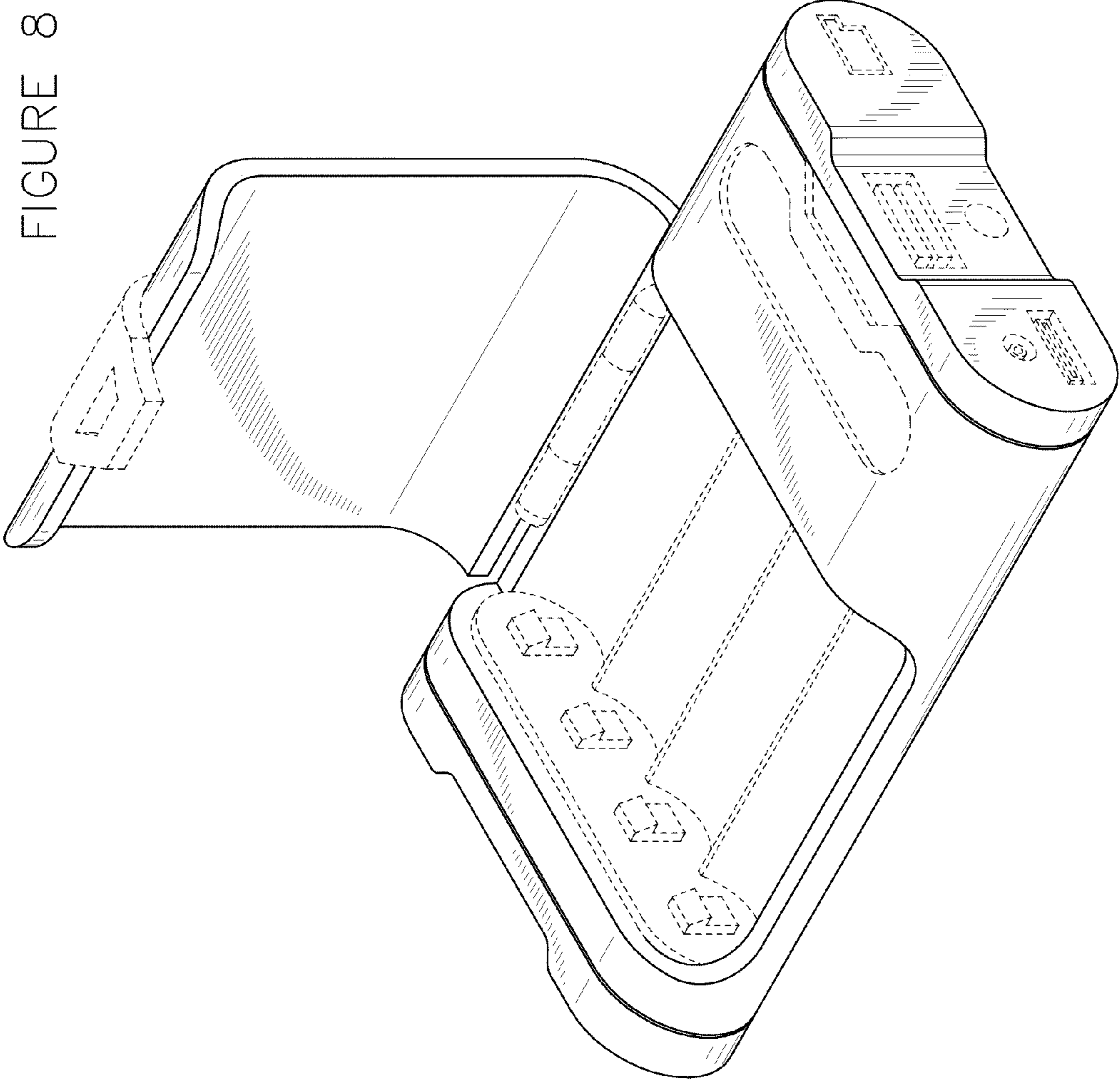


FIGURE 9

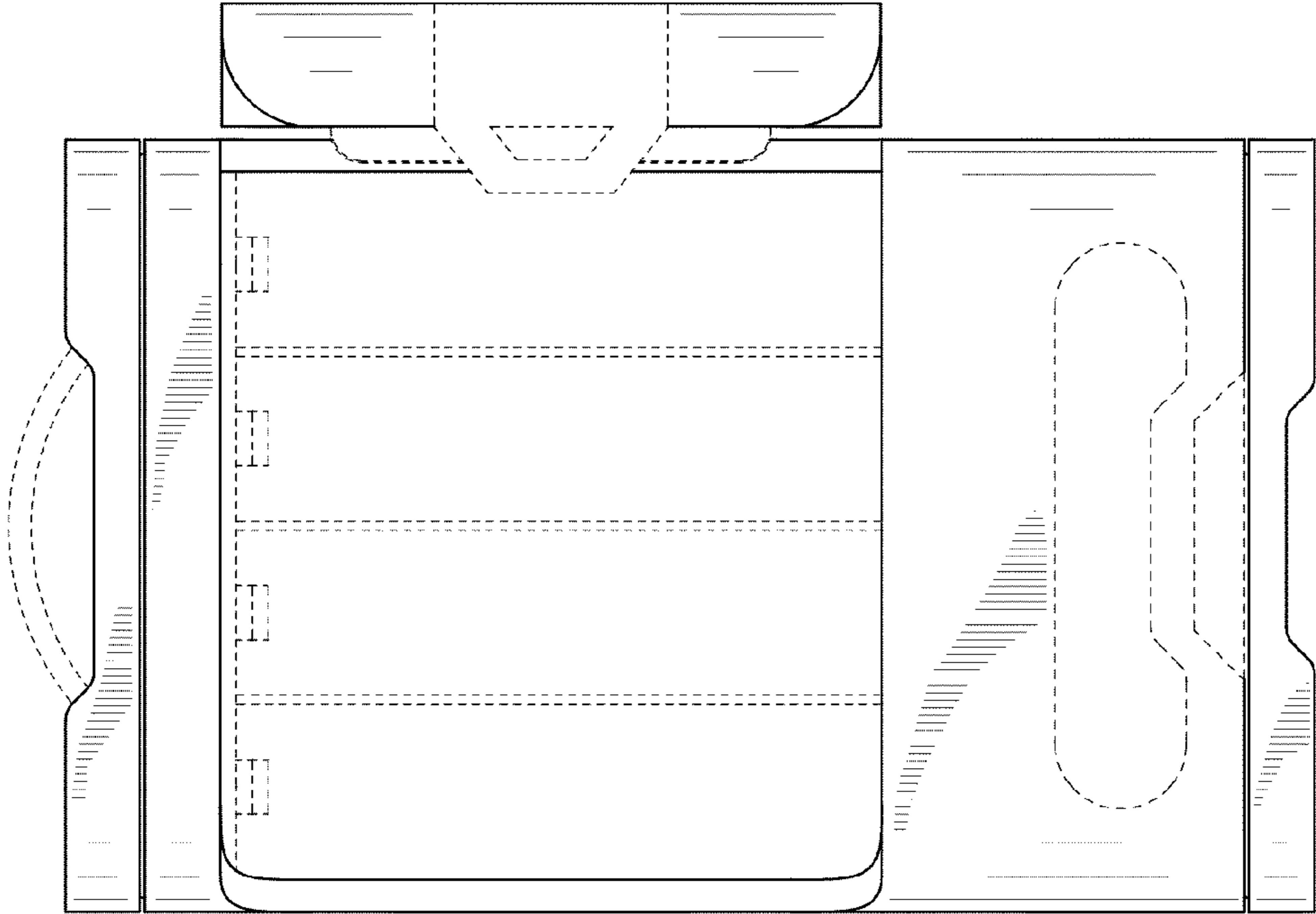


FIGURE 10

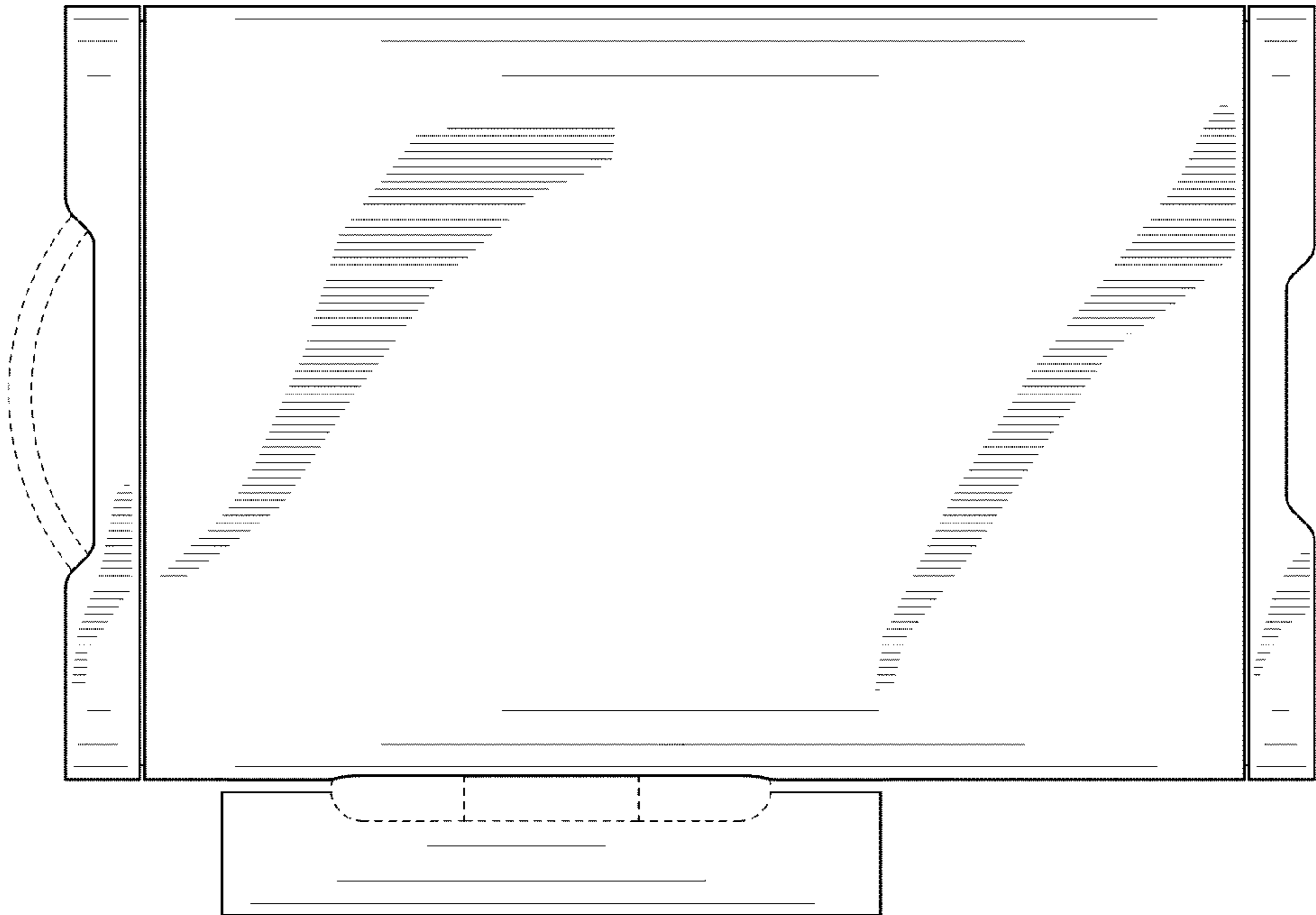


FIGURE 11

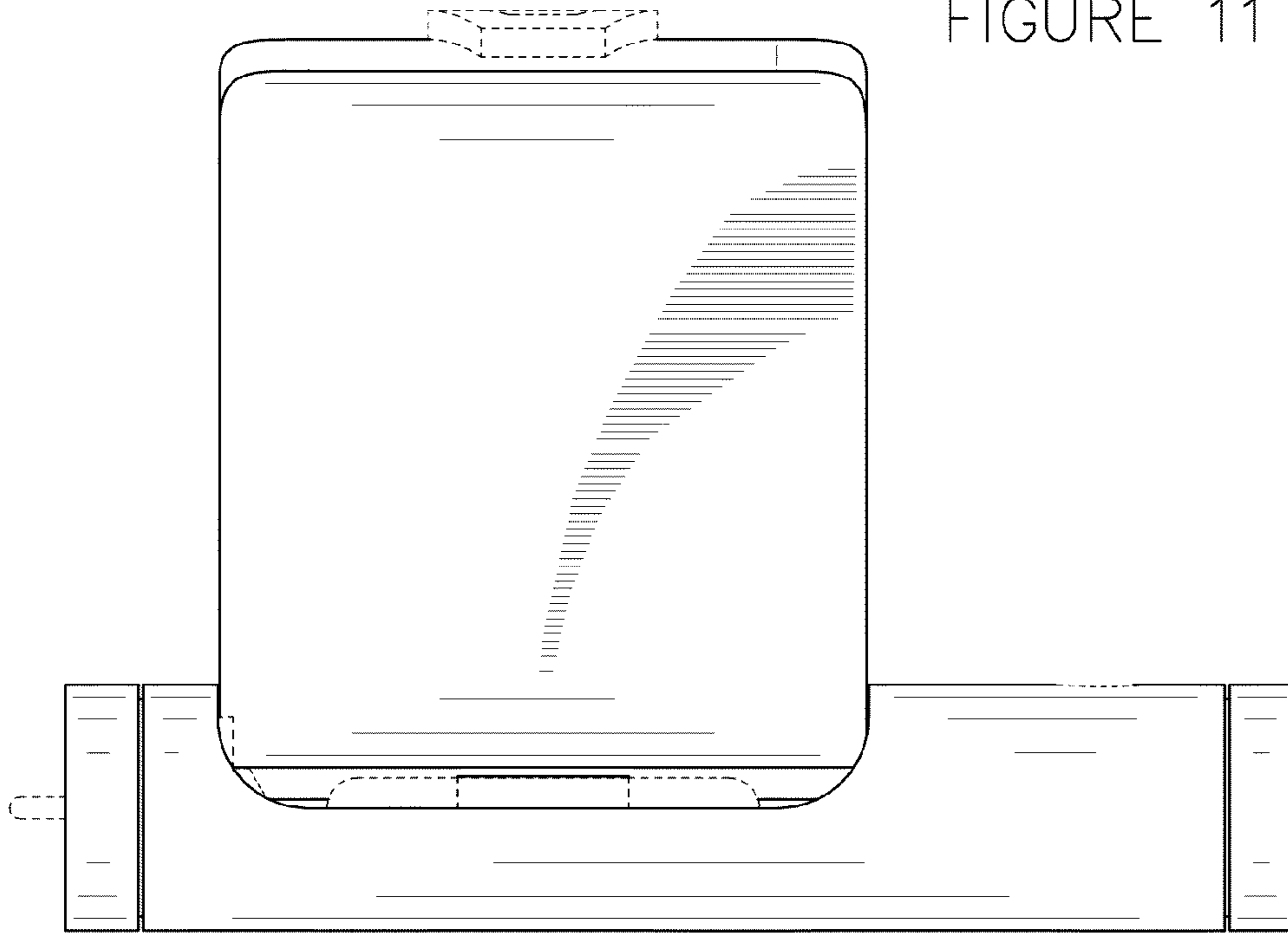


FIGURE 12

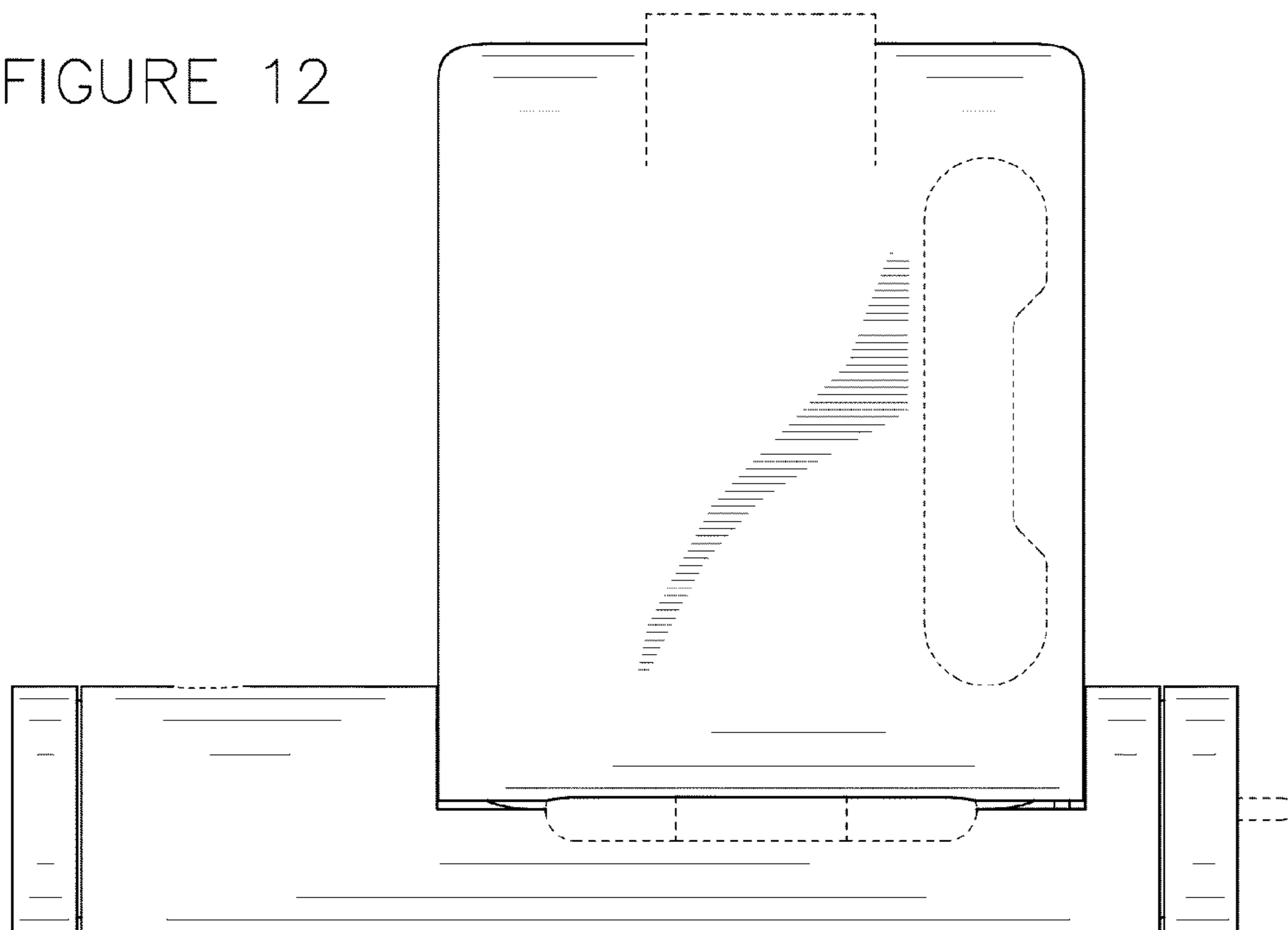


FIGURE 13

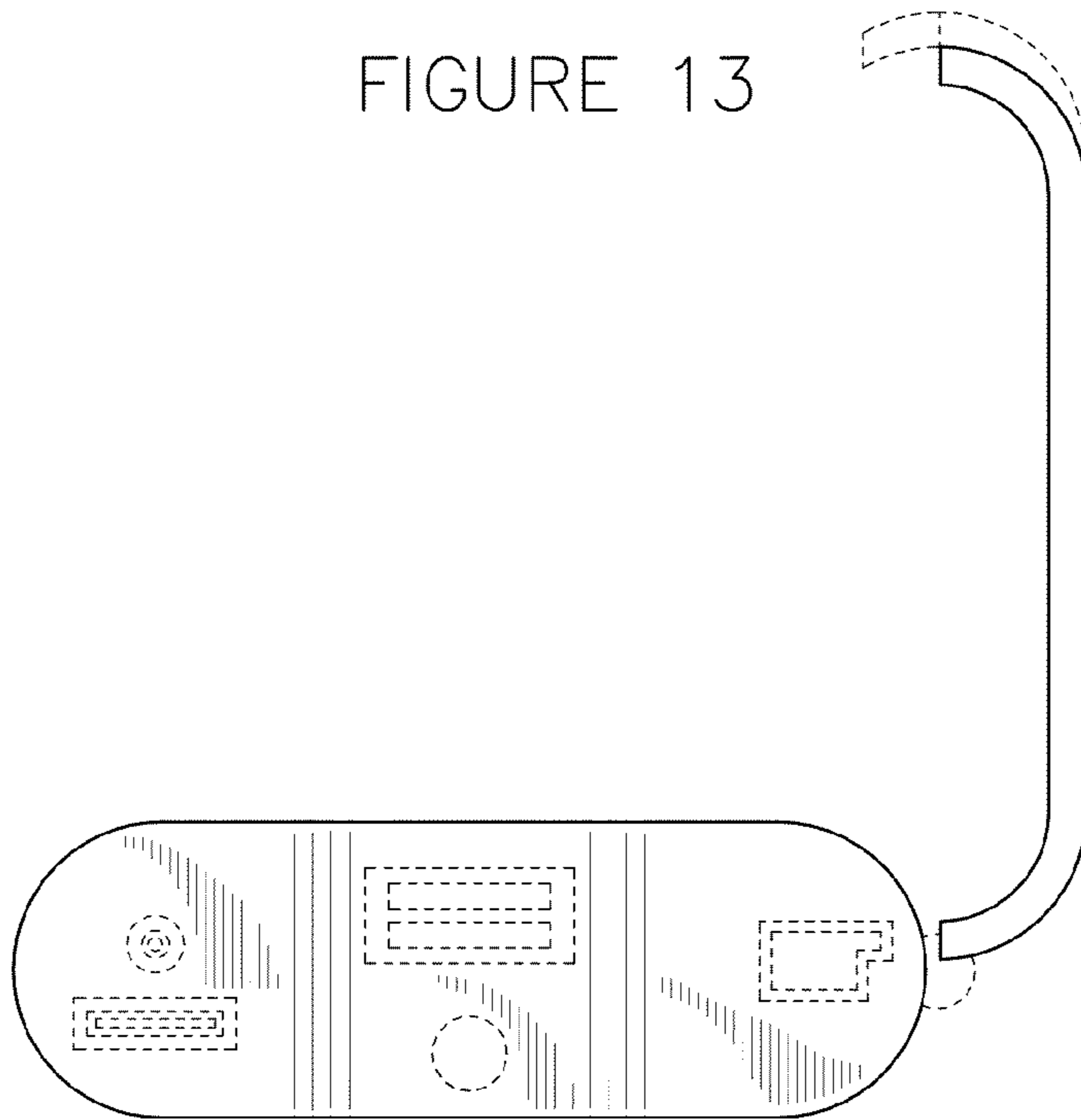


FIGURE 14

