



US00D651563S

(12) **United States Design Patent**
Telvi

(10) **Patent No.:** **US D651,563 S**

(45) **Date of Patent:** **** Jan. 3, 2012**

(54) **CHARGE CUBE**

(76) Inventor: **Michael C. Telvi**, Dix Hills, NY (US)

(**) Term: **14 Years**

(21) Appl. No.: **29/315,821**

(22) Filed: **Jul. 24, 2009**

(51) **LOC (9) Cl.** **13-02**

(52) **U.S. Cl.** **D13/108**

(58) **Field of Classification Search** D13/107-110,
D13/118-119, 184, 199; D14/251, 253,
D14/432, 434; 320/103, 107-115

See application file for complete search history.

(56) **References Cited**

U.S. PATENT DOCUMENTS

4,786,851	A *	11/1988	Fuji et al.	320/101
5,648,712	A	7/1997	Hahn		
5,734,253	A	3/1998	Brake et al.		
5,814,906	A *	9/1998	Spencer et al.	307/150
6,191,552	B1	2/2001	Kates et al.		
D456,008	S *	4/2002	Kawanobe et al.	D13/110
D484,095	S *	12/2003	Stacey	D13/110
6,774,603	B2	8/2004	Liao		
D511,136	S *	11/2005	Hirschburger et al.	D13/107

D535,613	S *	1/2007	Varalo et al.	D13/108
7,489,952	B2	2/2009	Simoes et al.		
2005/0174091	A1	8/2005	Dayan et al.		
2007/0054550	A1	3/2007	Cuthbert et al.		

* cited by examiner

Primary Examiner — Rosemary K Tarcza

(74) *Attorney, Agent, or Firm* — Richard L. Miller

(57) **CLAIM**

The ornamental design for a charge cube, as shown and described.

DESCRIPTION

FIG. 1 is a left side elevational view of a charge cube showing my new design, a right side being a mirror image thereof.

FIG. 2 is a front elevational view thereof;

FIG. 3 is a rear elevational view thereof;

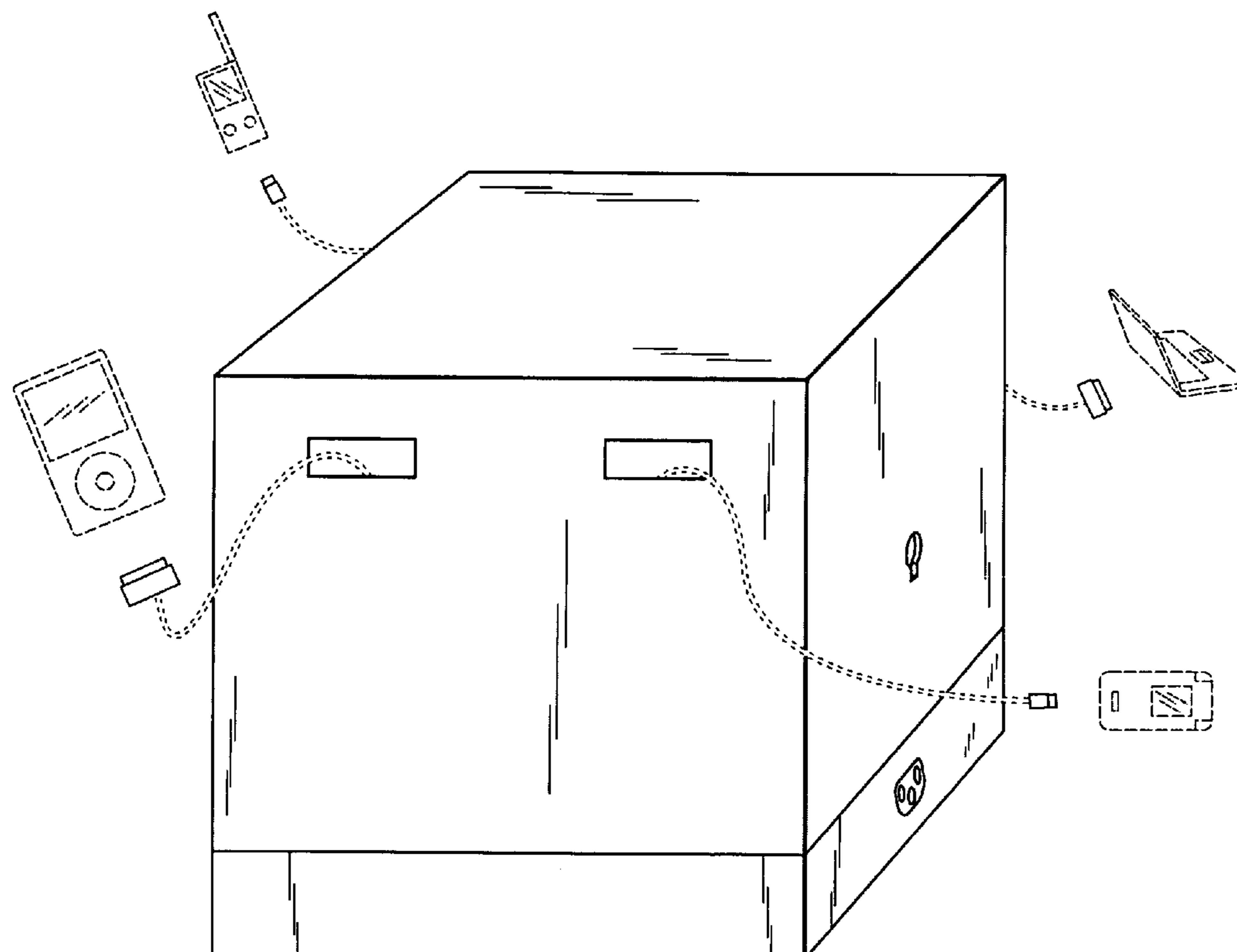
FIG. 4 is a top plan view thereof;

FIG. 5 is a bottom plan view thereof; and,

FIG. 6 is a perspective view thereof.

The broken lines shown in the drawings are included for the purpose of illustrating environmental structure and form no part of the claimed design.

1 Claim, 2 Drawing Sheets



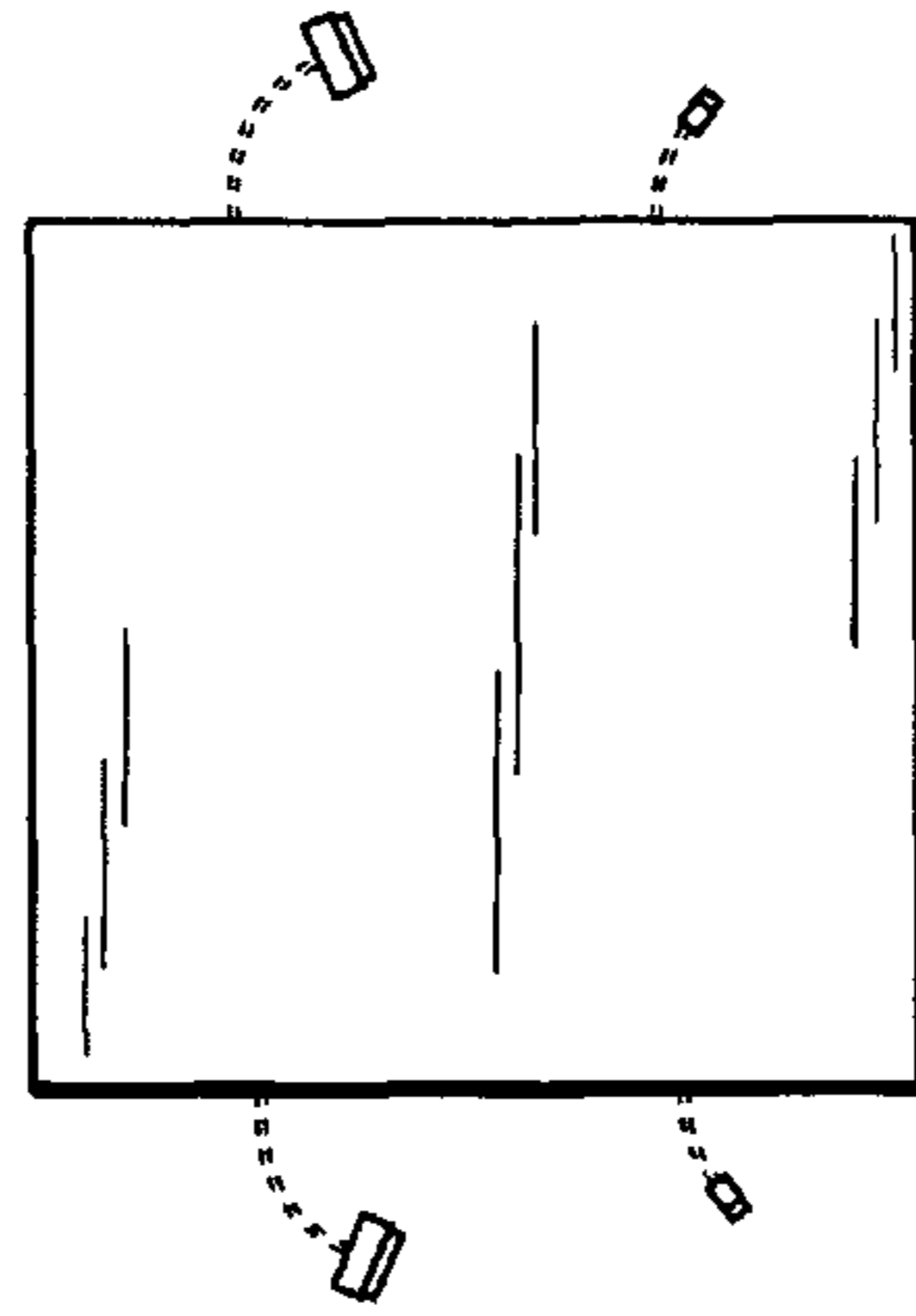


FIG. 4

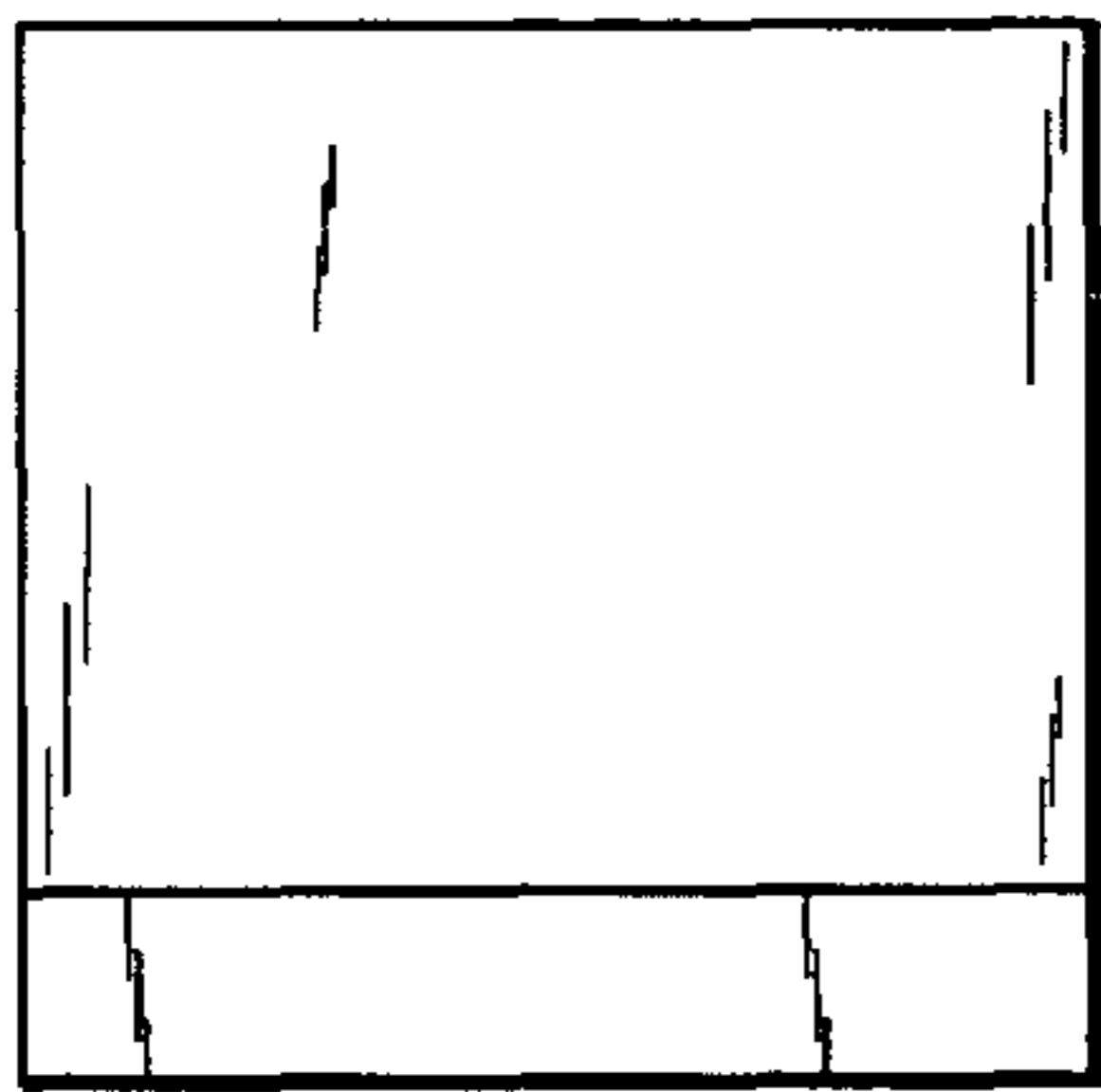


FIG. 3

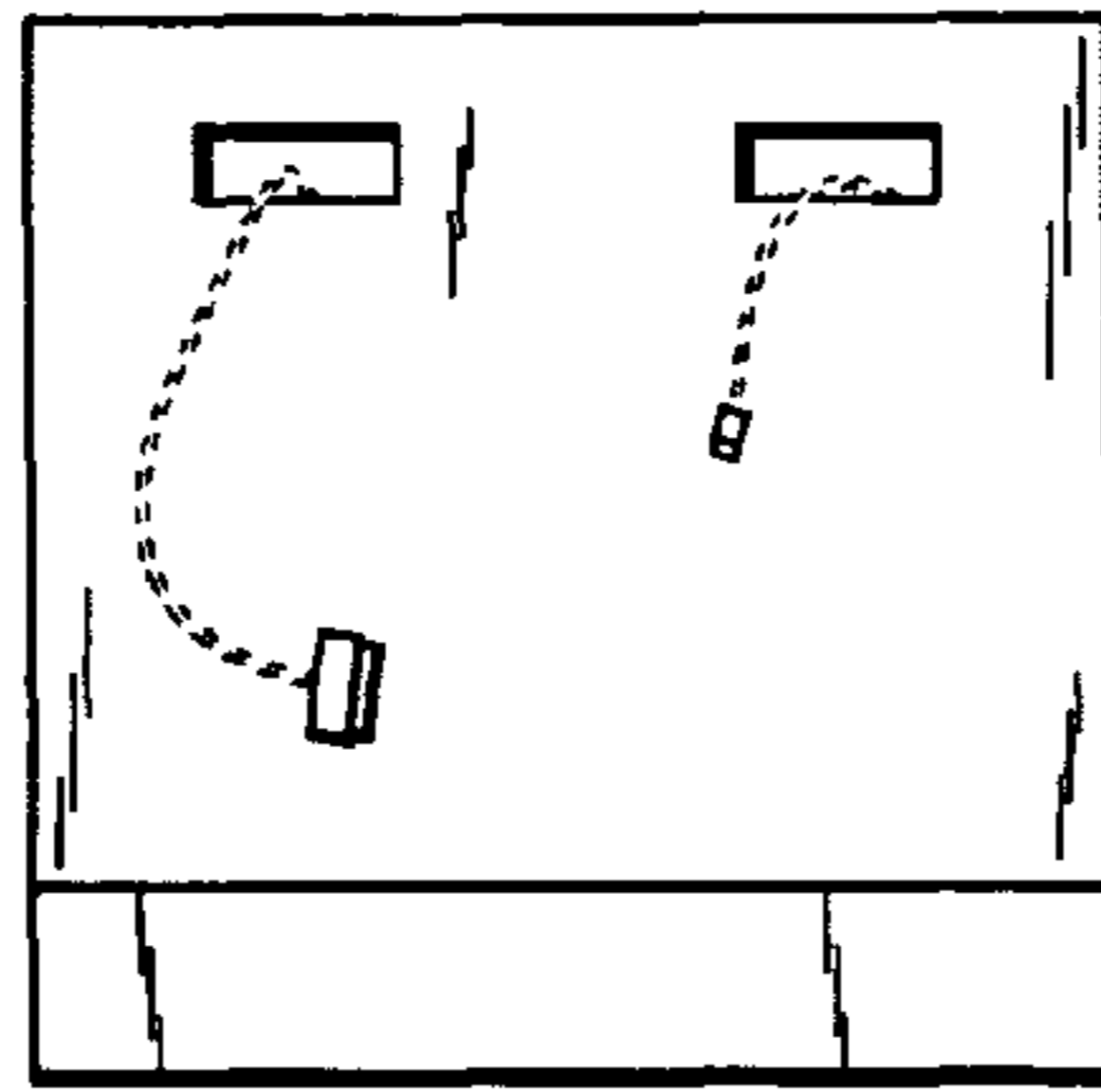


FIG. 1

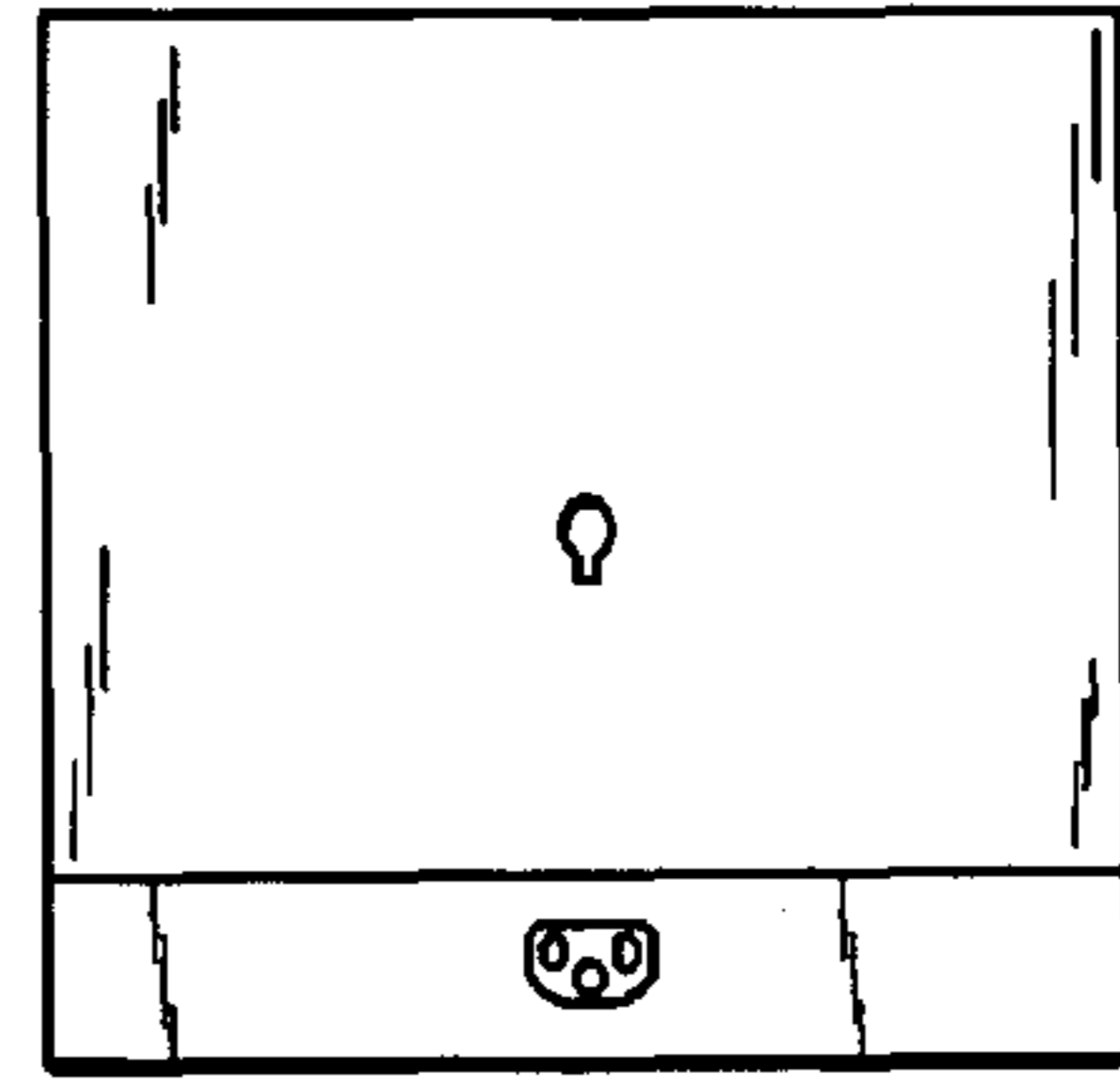


FIG. 2

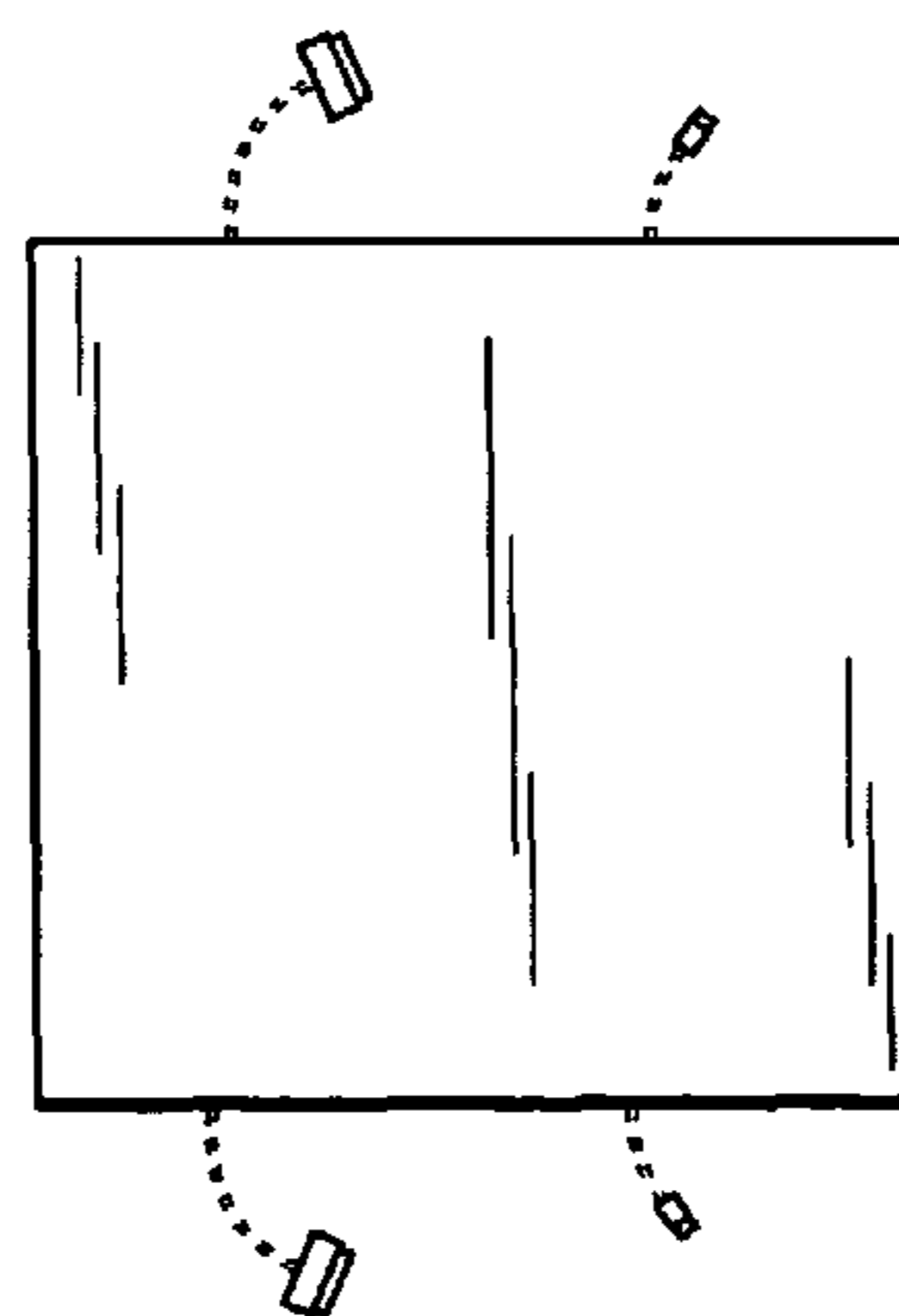


FIG. 5

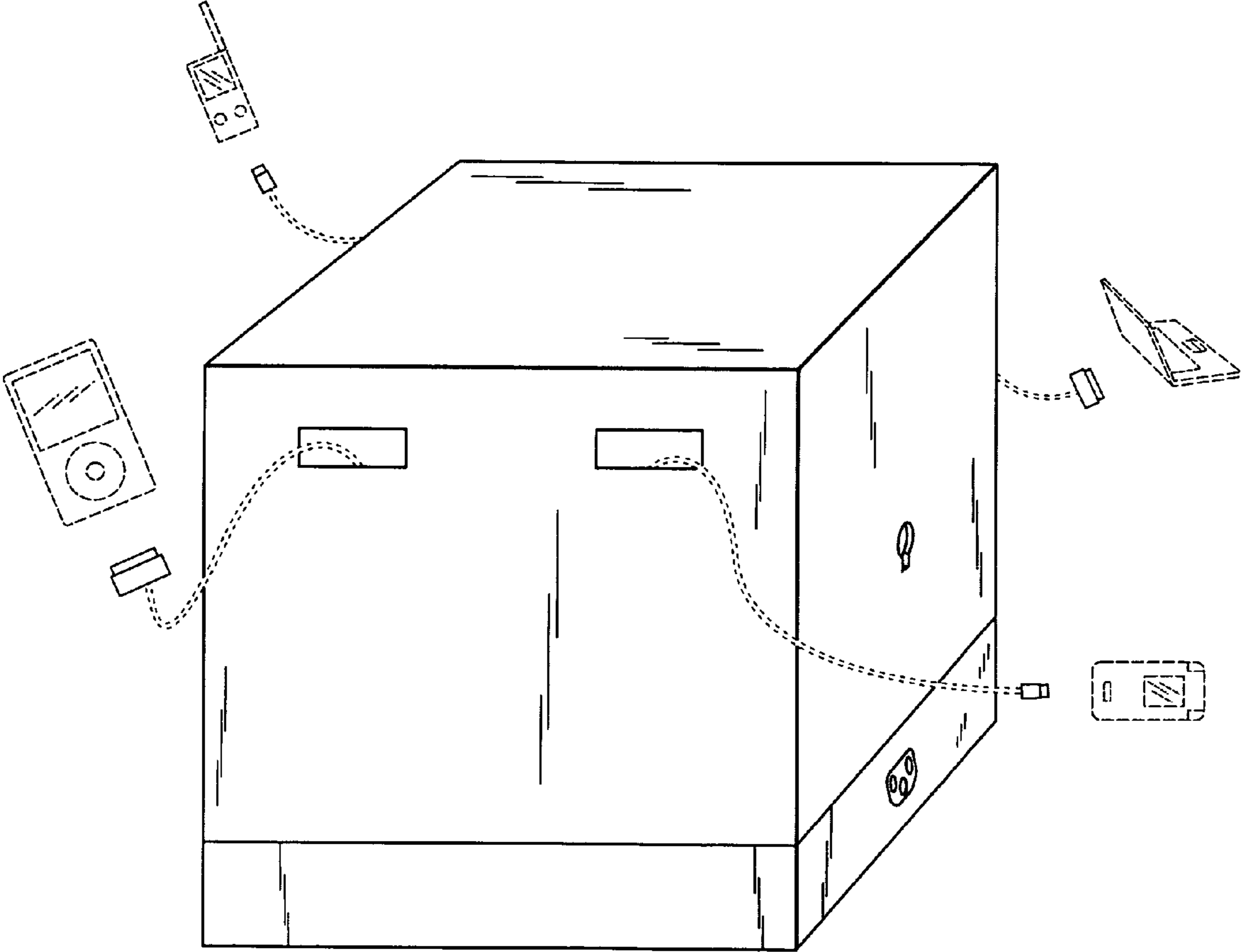


FIG. 6