

US00D651562S

(12) **United States Design Patent**  
**Takeo et al.**

(10) **Patent No.:** **US D651,562 S**  
(45) **Date of Patent:** **\*\* Jan. 3, 2012**

(54) **BATTERY CHARGER**

(75) Inventors: **Atsuro Takeo**, Saitama-ken (JP);  
**Yasushi Tateishi**, Saitama-ken (JP);  
**Makiko Ban**, Saitama-ken (JP)

(73) Assignee: **Honda Motor Co., Ltd.**, Tokyo (JP)

(\*\*) Term: **14 Years**

(21) Appl. No.: **29/389,849**

(22) Filed: **Apr. 18, 2011**

(30) **Foreign Application Priority Data**

Oct. 19, 2010 (JP) ..... 2010-025013

(51) **LOC (9) Cl.** ..... **13-02**

(52) **U.S. Cl.** ..... **D13/107**

(58) **Field of Classification Search** ..... D13/103–104,  
D13/106–110, 118–119, 184, 199; D14/251,  
D14/253, 432, 434; D15/9; 320/103–115  
See application file for complete search history.

(56) **References Cited**

**U.S. PATENT DOCUMENTS**

D298,029 S	*	10/1988	Foster	.....	D13/119
D420,324 S	*	2/2000	Wan	.....	D13/107
D511,491 S	*	11/2005	Hriscu et al.	.....	D13/107
D527,340 S	*	8/2006	Christiani et al.	.....	D13/107
D530,272 S	*	10/2006	Hulden	.....	D13/107
D585,822 S	*	2/2009	Hsu	.....	D13/107
D625,686 S	*	10/2010	Dickson	.....	D13/107

D634,706 S	*	3/2011	Takeo et al.	.....	D13/107
2001/0043052 A1	*	11/2001	Griffey et al.	.....	320/114
2004/0196002 A1	*	10/2004	Watson et al.	.....	320/114

\* cited by examiner

*Primary Examiner* — Rosemary K Tarcza

(74) *Attorney, Agent, or Firm* — Westerman, Hattori,  
Daniels & Adrian, LLP

(57) **CLAIM**

The ornamental design for a battery charger, as shown and described.

**DESCRIPTION**

FIG. 1 is a perspective view from the right side of a battery charger.

FIG. 2 is a perspective view from the right side thereof.

FIG. 3 is a perspective view from the left side thereof.

FIG. 4 is a perspective view from the left side thereof.

FIG. 5 is a front elevation view thereof.

FIG. 6 is a rear elevation view thereof.

FIG. 7 is a right side elevation view thereof.

FIG. 8 is a left side elevation view thereof.

FIG. 9 is a top plan view thereof.

FIG. 10 is a bottom plan view thereof.

FIG. 11 is a referential view thereof with a connecting cord stored; and,

FIG. 12 is another referential view thereof with a connecting cord stored.

The portions of the battery charger shown in broken lines are for the purpose of showing environmental structure only and form no part of the claimed design.

**1 Claim, 12 Drawing Sheets**

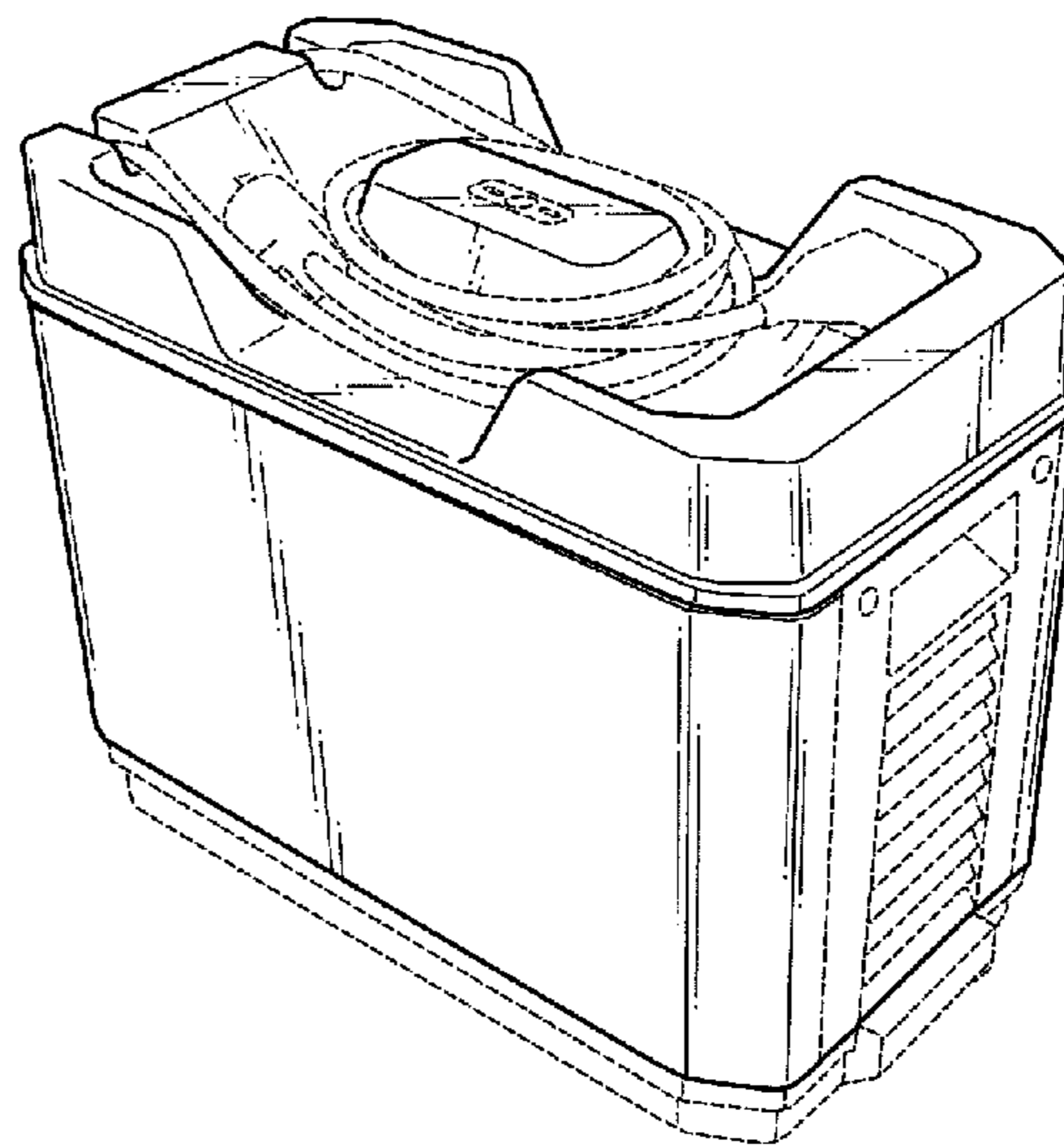
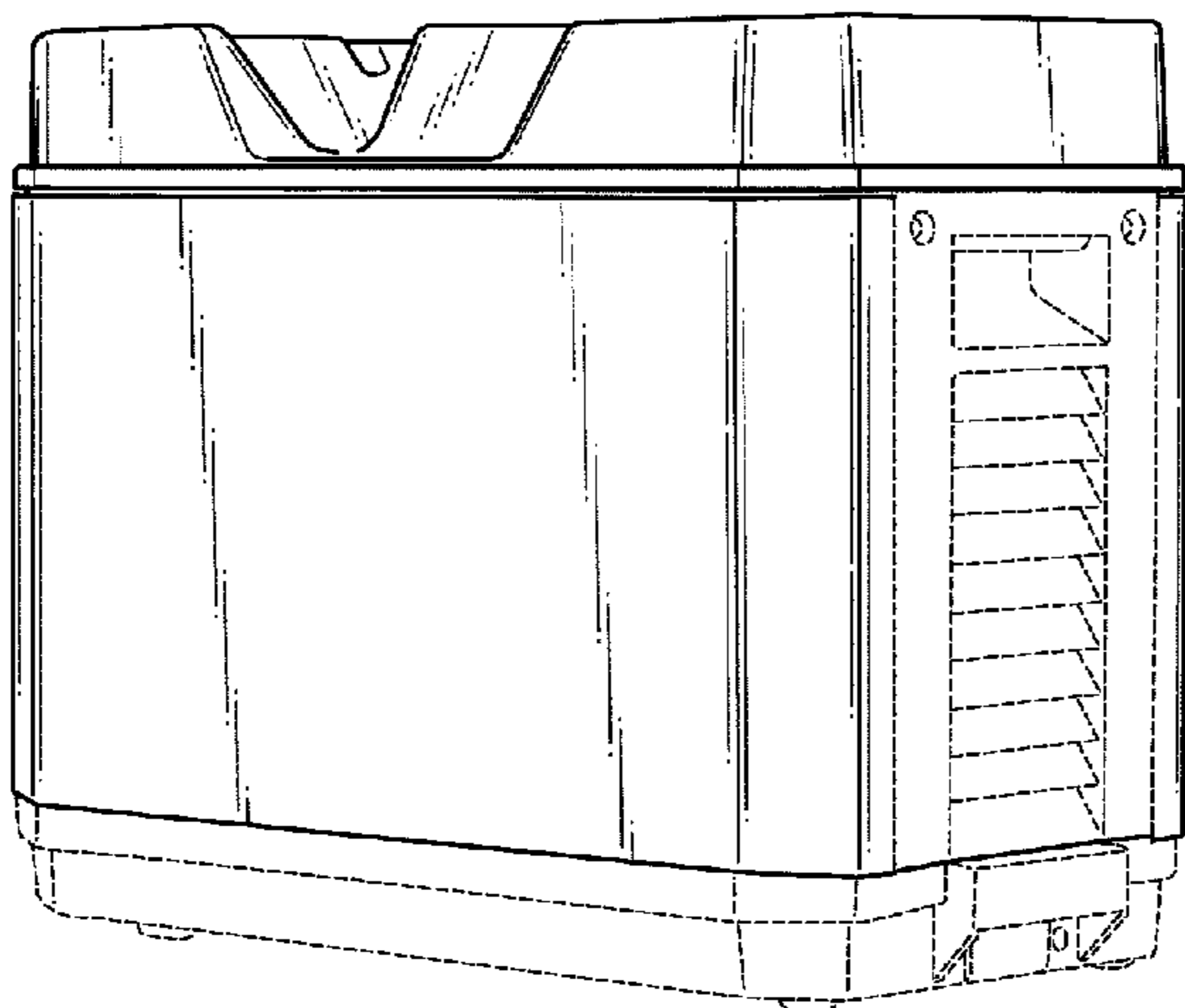


FIG. 1

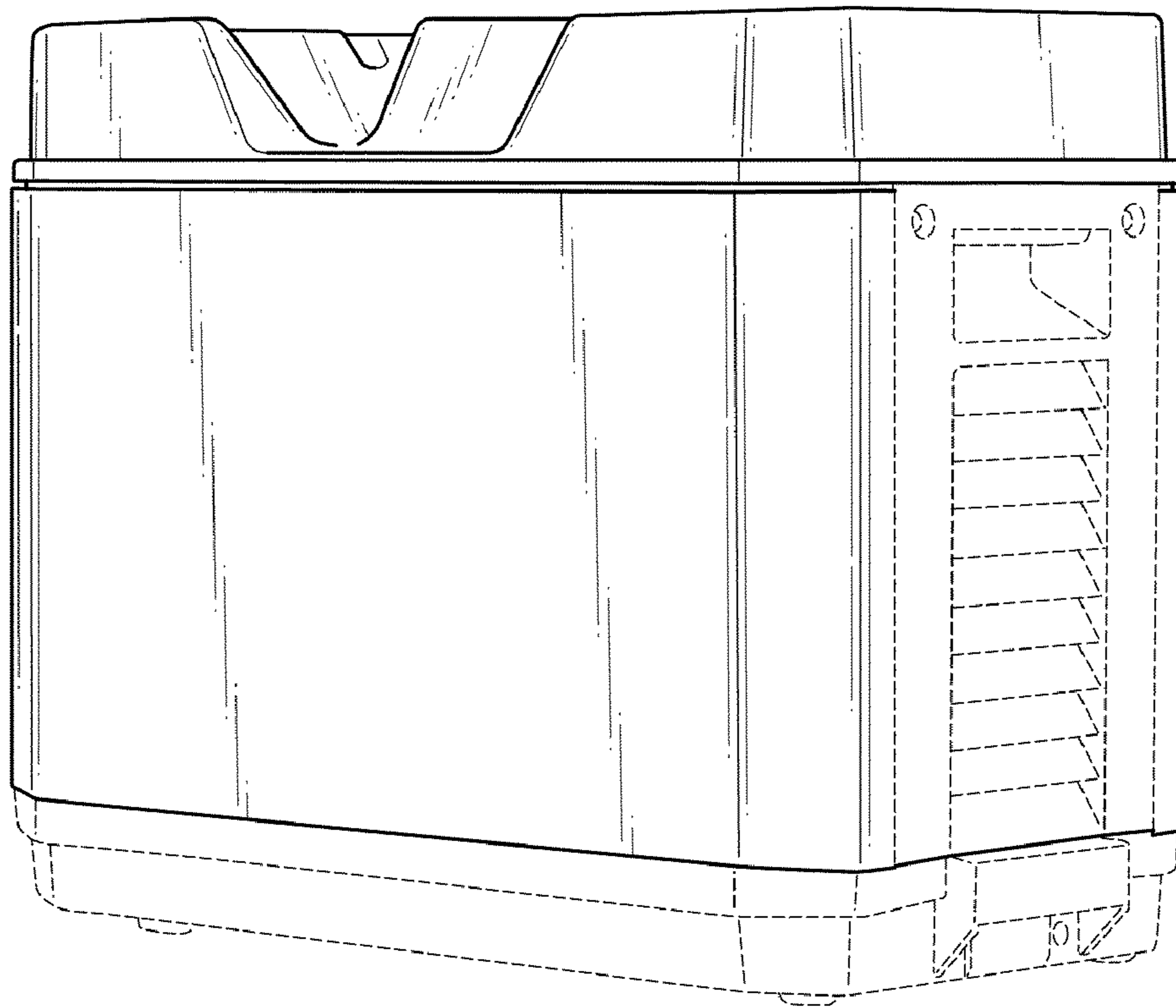


FIG. 2

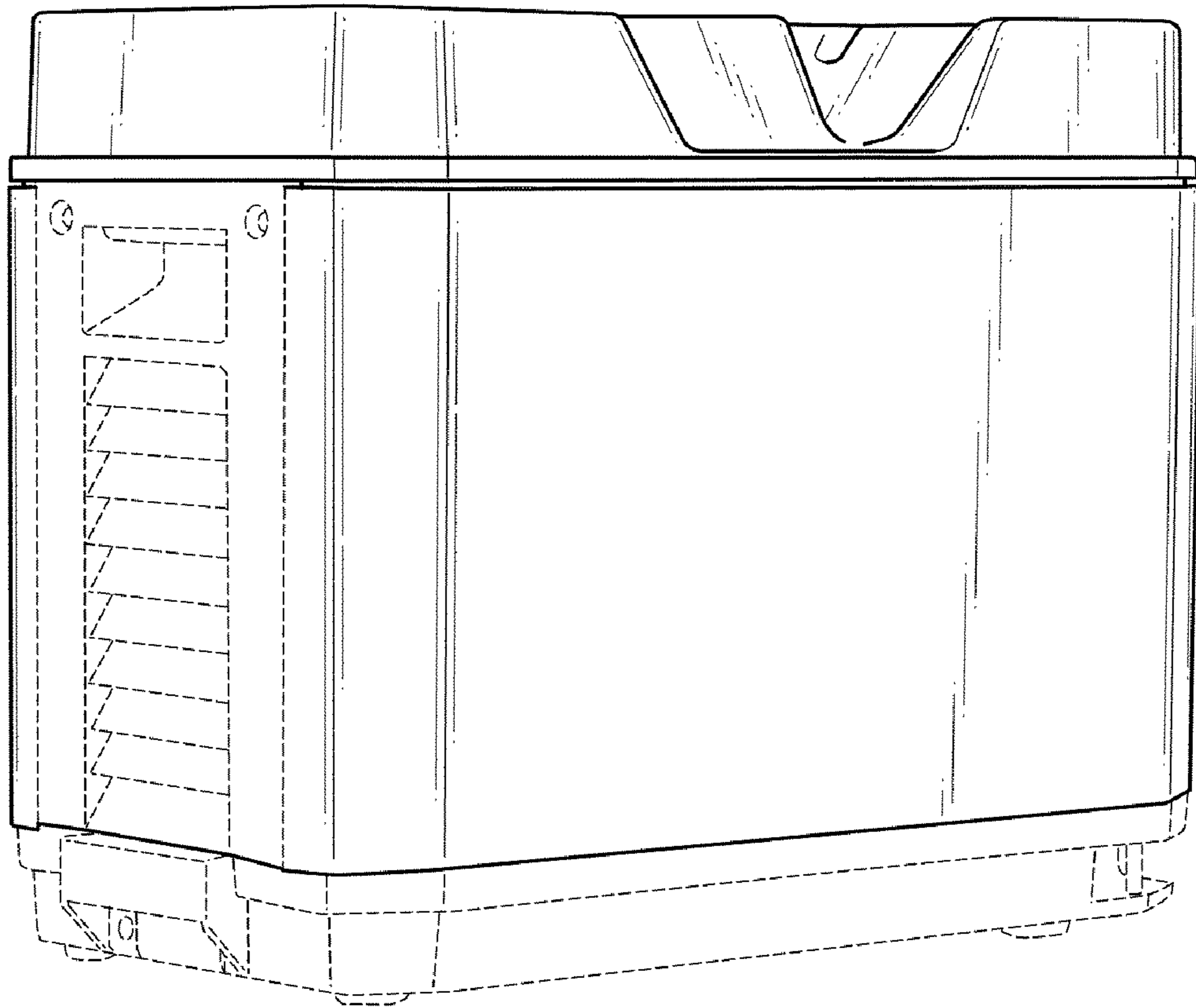


FIG. 3

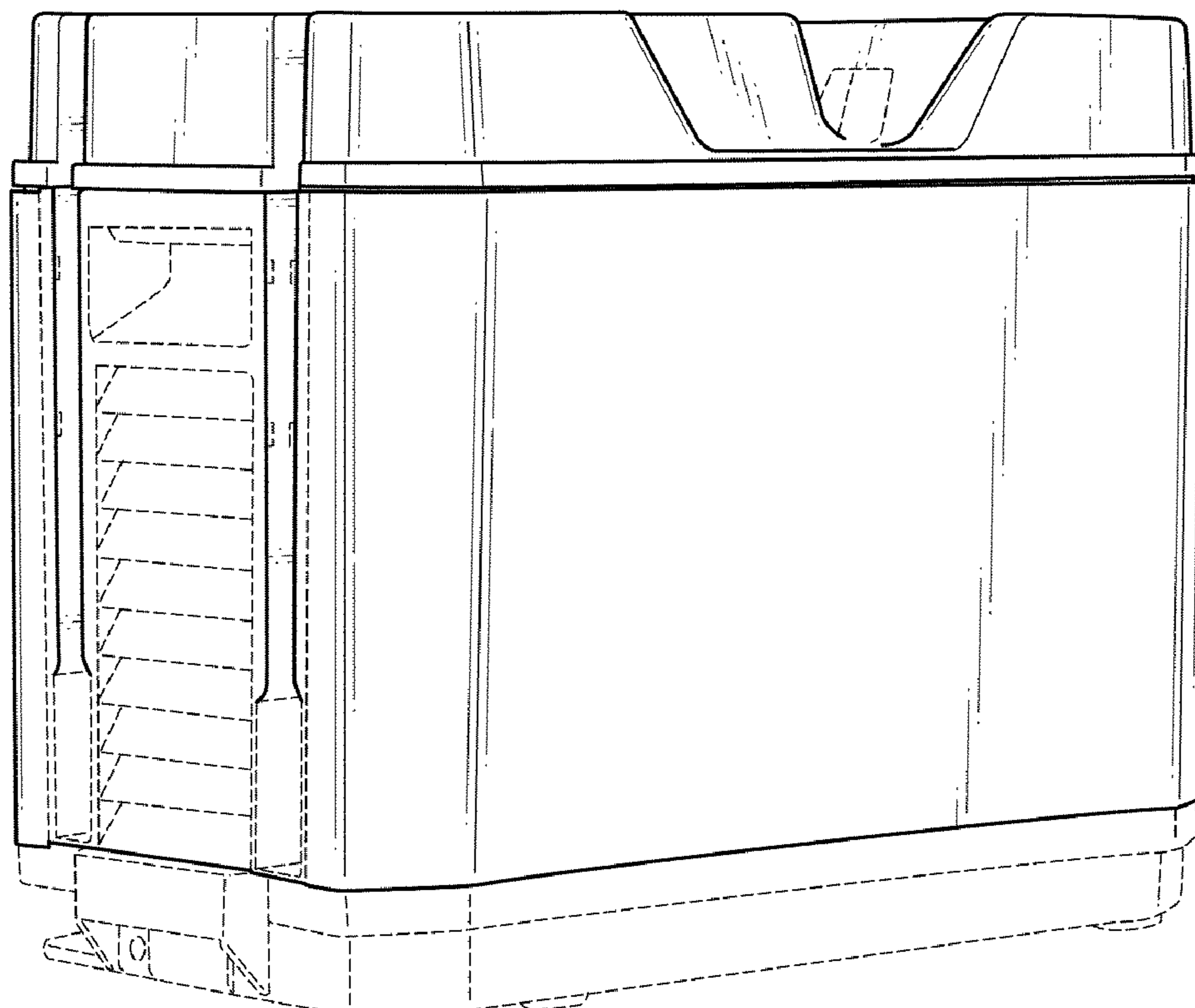


FIG. 4

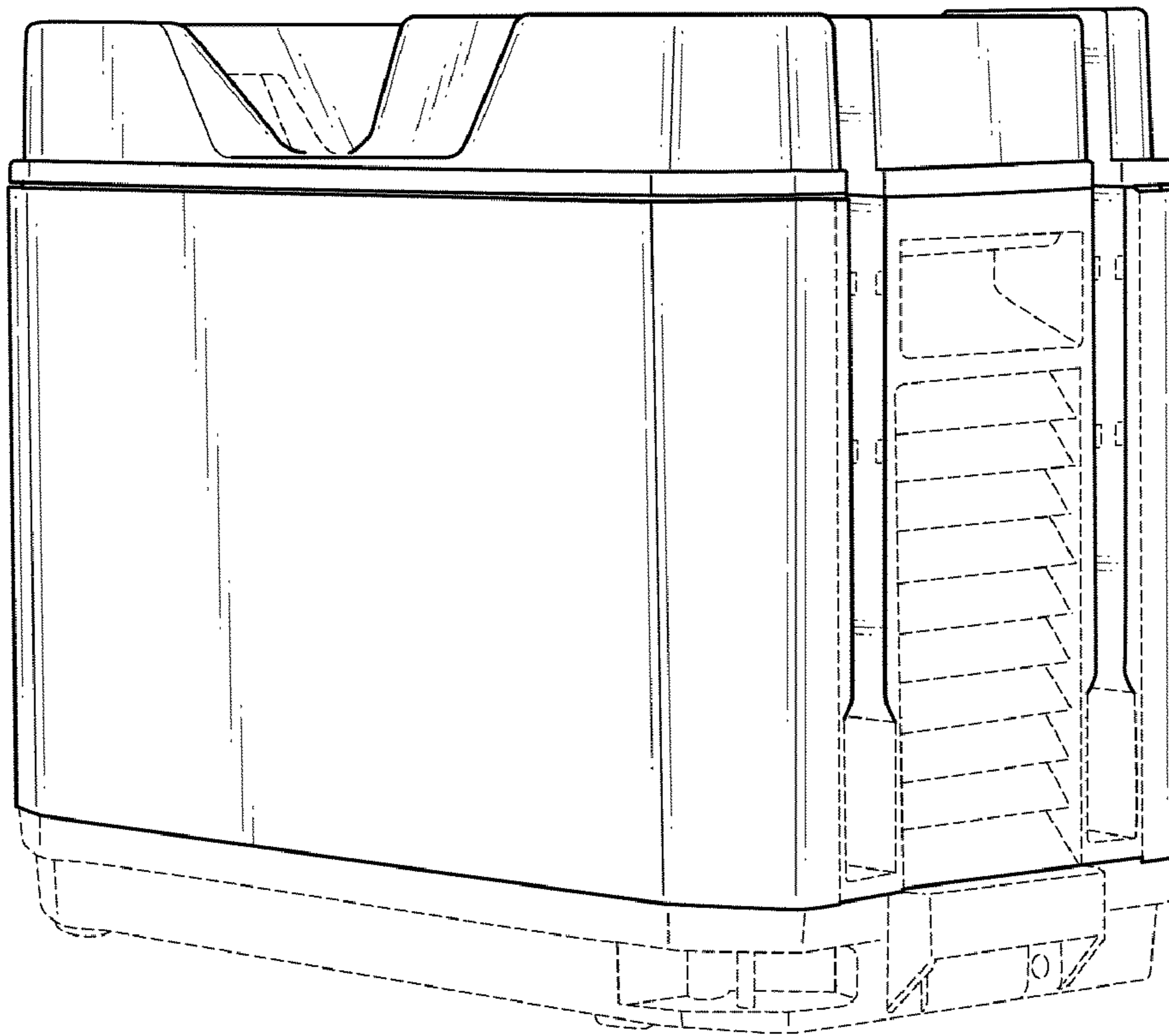


FIG. 5

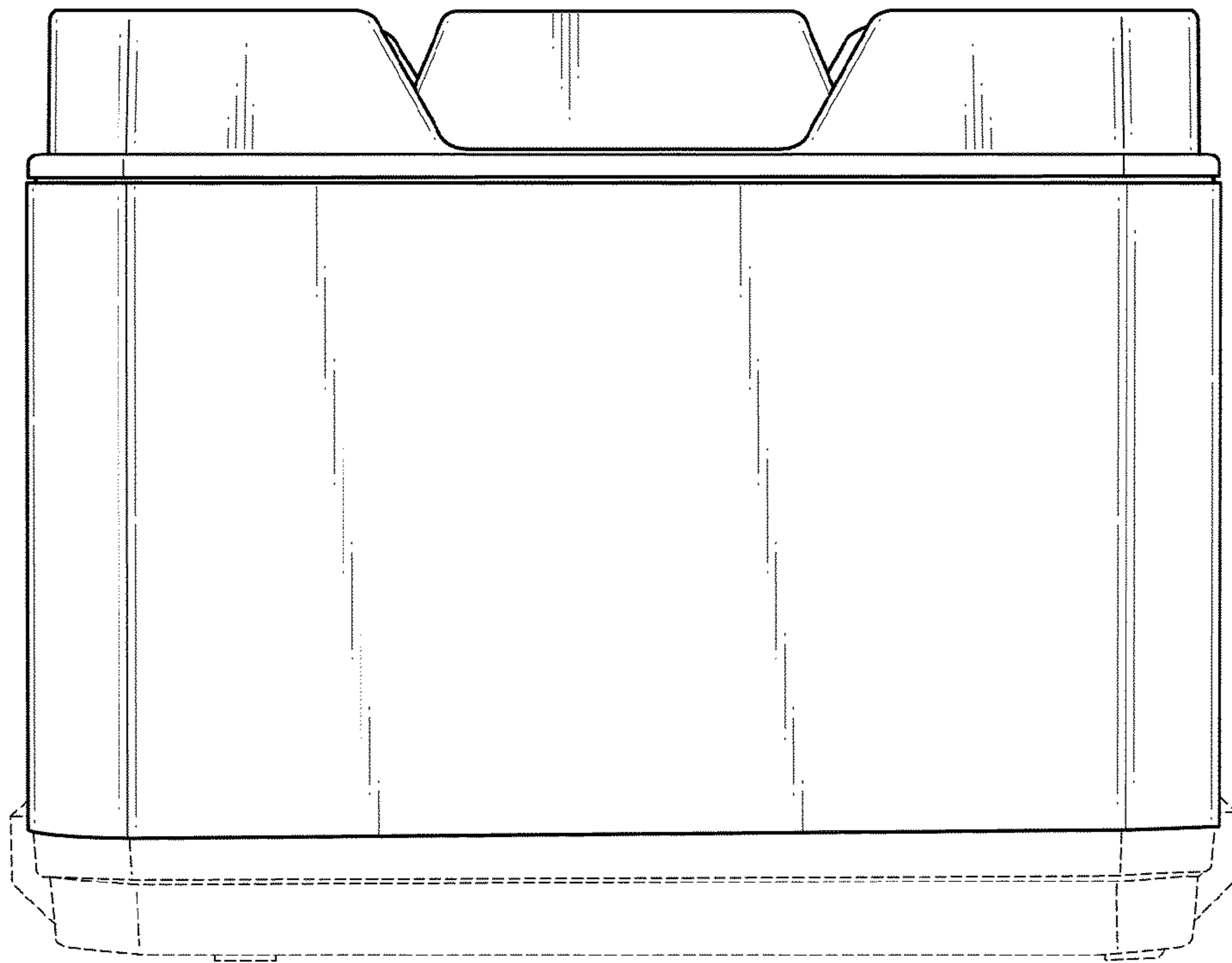


FIG. 6

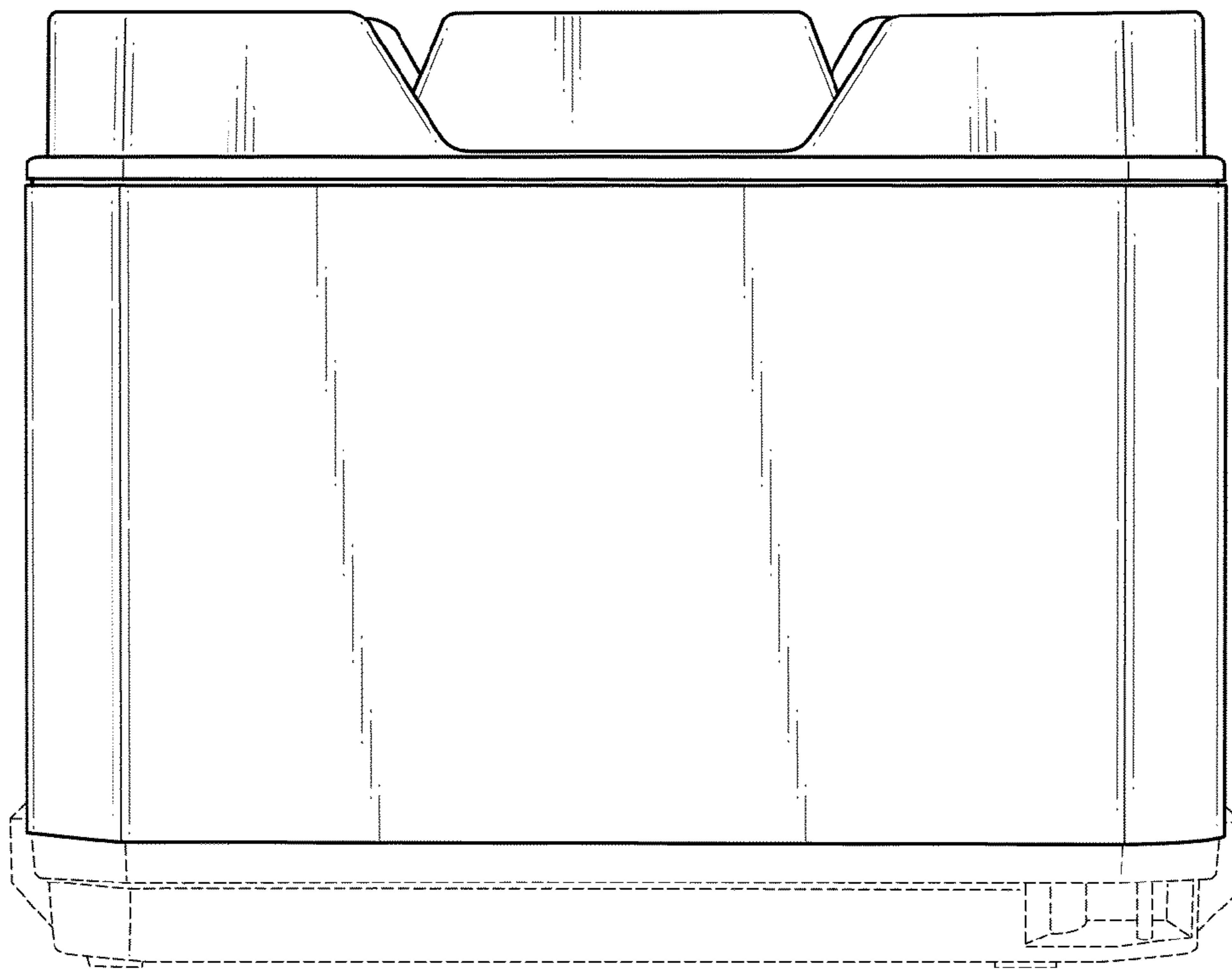


FIG. 7

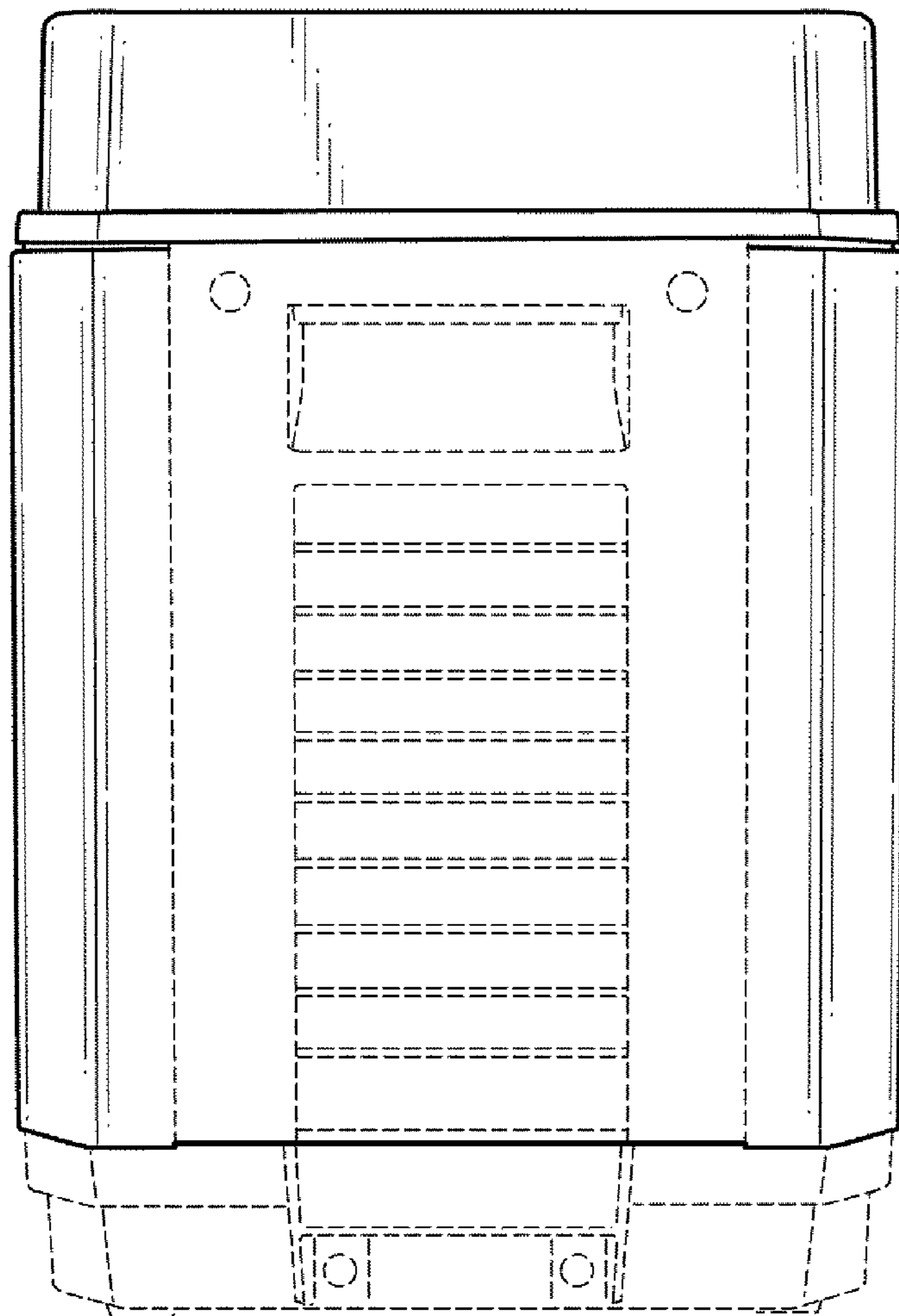




FIG. 8

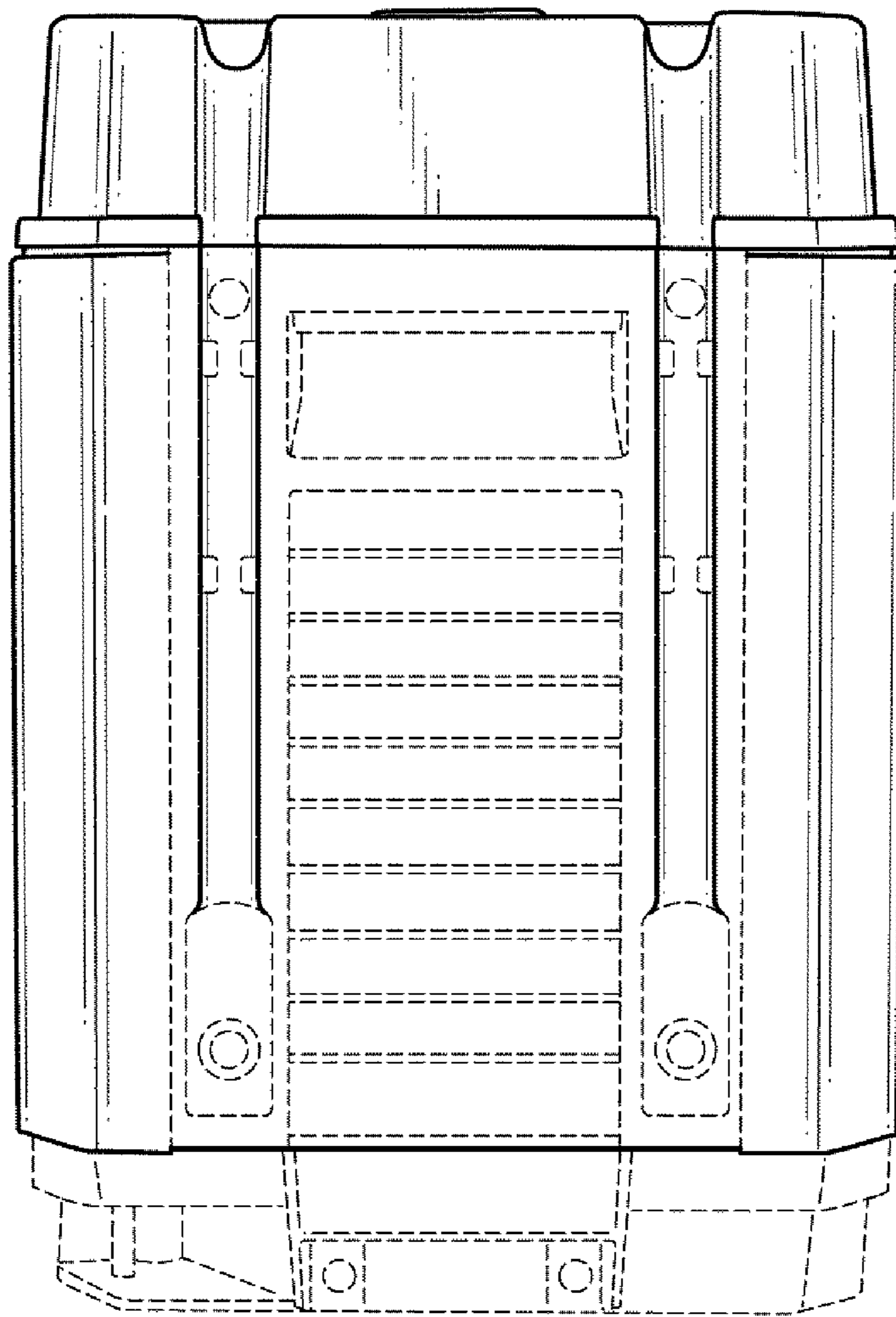


FIG. 9

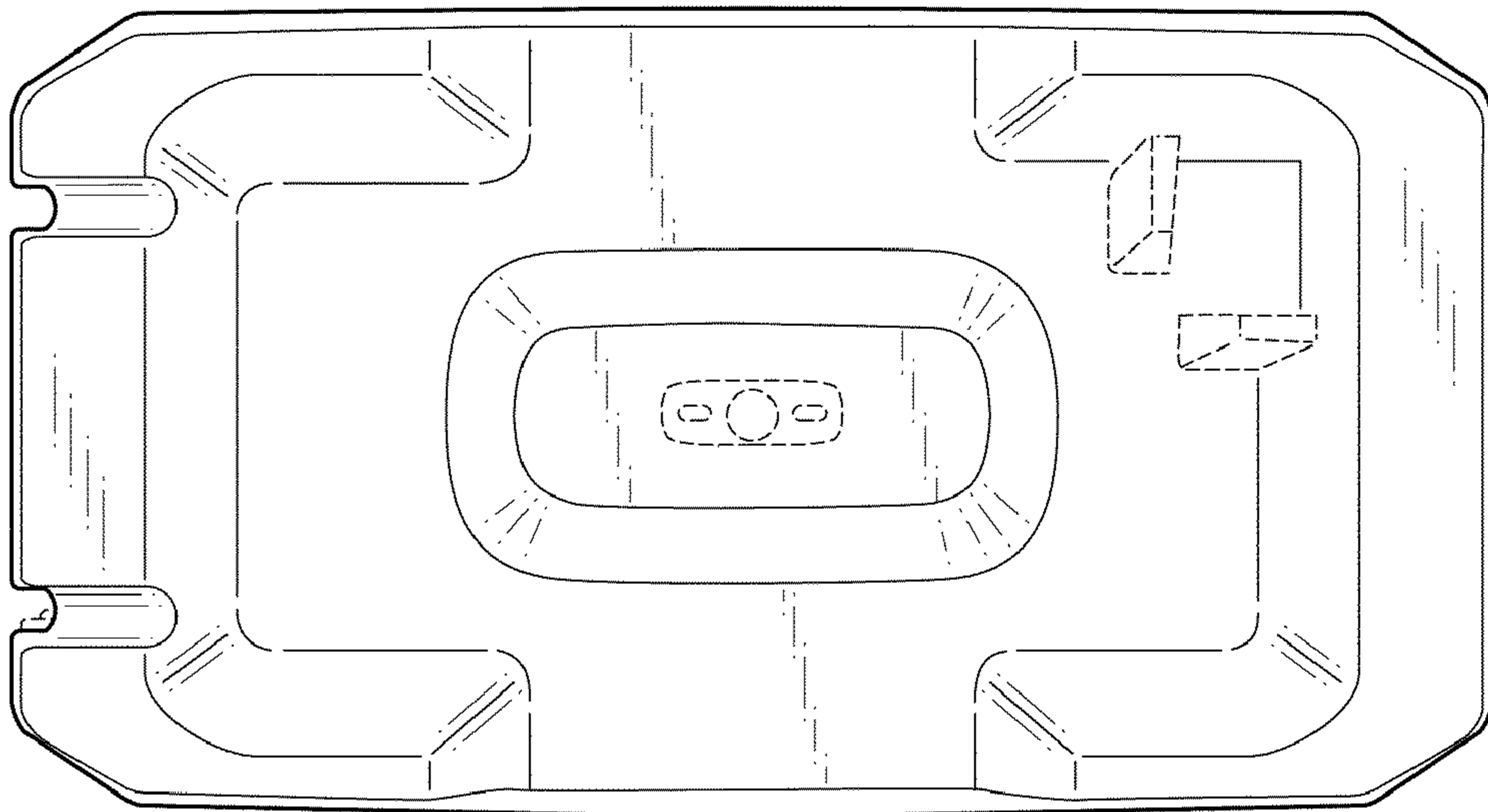


FIG. 10

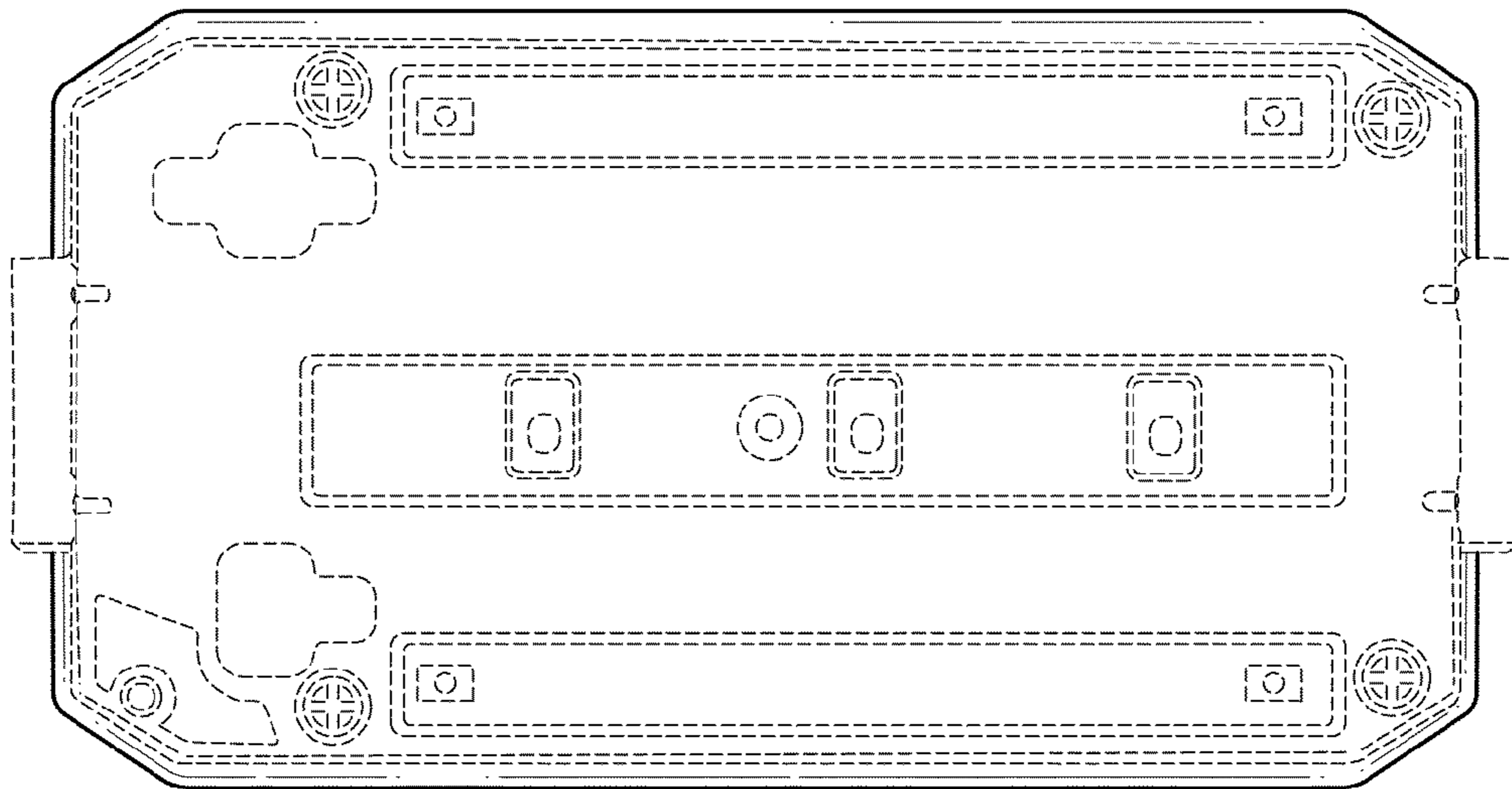


FIG. 11

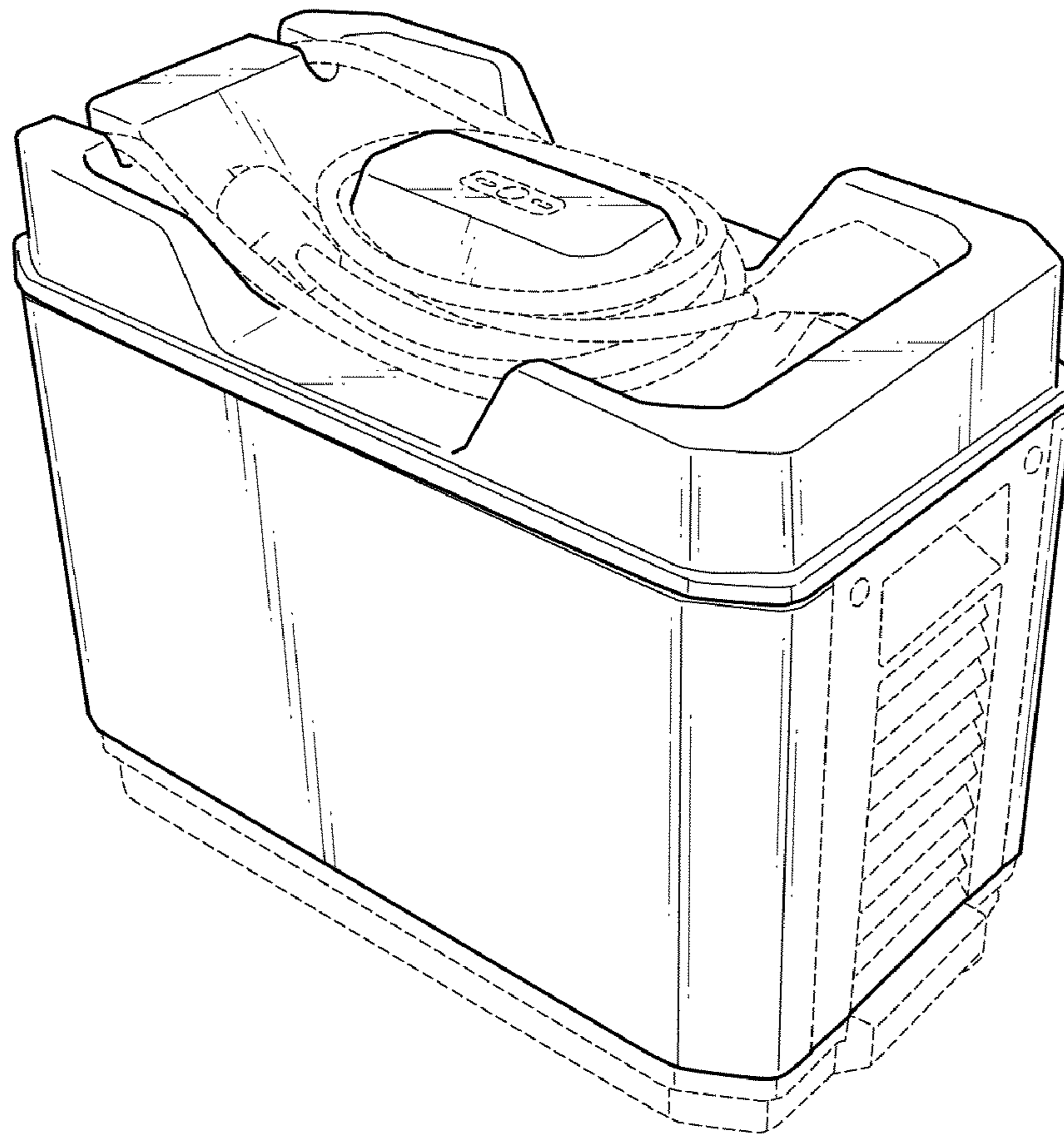


FIG. 12

