



US00D651561S

(12) **United States Design Patent**
Petrie et al.

(10) **Patent No.:** **US D651,561 S**
(45) **Date of Patent:** **** Jan. 3, 2012**

- (54) **ELECTRIC VEHICLE CHARGER**
- (75) Inventors: **Greg A Petrie**, San Dimas, CA (US);
Holden Alexander Bonwit, Los Angeles, CA (US); **Jeff Salazar**, Palo Alto, CA (US); **Evelyne Chaubert**, San Francisco, CA (US); **Lea Sandra Kobeli**, San Francisco, CA (US)
- (73) Assignee: **AeroVironment, Inc.**, Monrovia, CA (US)

D620,884	S	*	8/2010	Lee et al.	D13/108
D626,063	S	*	10/2010	Cutter et al.	D13/107
D634,267	S	*	3/2011	Blain	D13/107
D641,694	S	*	7/2011	Akahori et al.	D13/107
2008/0174268	A1	*	7/2008	Koo et al.	320/109
2011/0043355	A1	*	2/2011	Chander et al.	340/455
2011/0169447	A1	*	7/2011	Brown et al.	320/109

* cited by examiner

Primary Examiner — Rosemary K Tarcza

(74) *Attorney, Agent, or Firm* — Christopher R. Balzan; Eric J. Aagaard

(**) Term: **14 Years**

(21) Appl. No.: **29/360,300**

(22) Filed: **Apr. 22, 2010**

Related U.S. Application Data

(63) Continuation-in-part of application No. 29/360,201, filed on Apr. 21, 2010.

(51) **LOC (9) Cl.** **13-02**

(52) **U.S. Cl.** **D13/107**

(58) **Field of Classification Search** D13/106–110, D13/118–119, 184, 199; D15/9; 320/103–115
See application file for complete search history.

(56) **References Cited**

U.S. PATENT DOCUMENTS

D300,678	S	*	4/1989	Barrault	D32/73
D511,492	S	*	11/2005	Allende Fritsch	D13/108
D524,243	S	*	7/2006	Lee	D13/108
D537,409	S	*	2/2007	Suzuki	D13/108
D548,688	S	*	8/2007	Fee et al.	D13/107
D608,734	S	*	1/2010	Smith	D13/107

(57) **CLAIM**

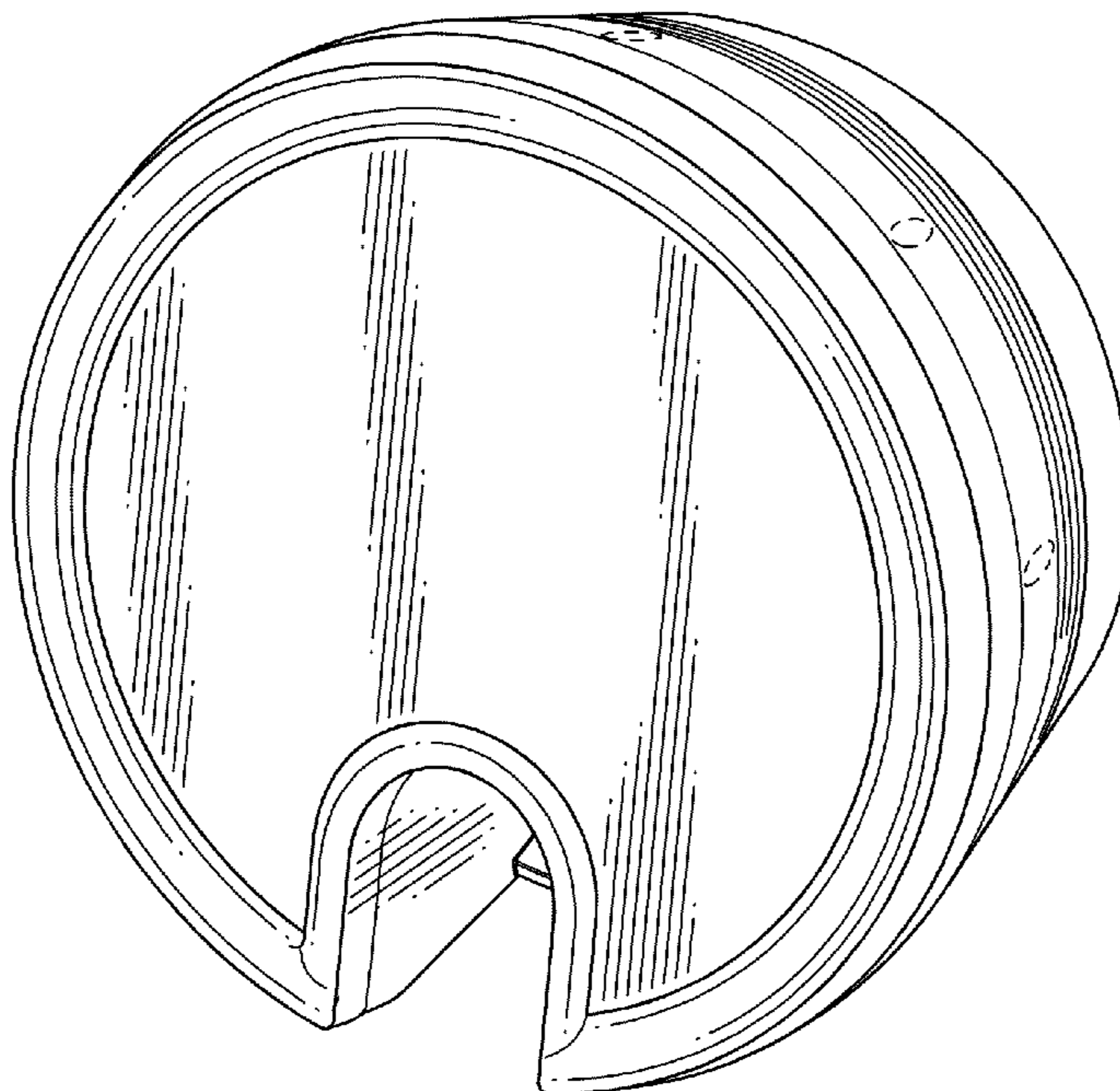
The ornamental design for an electric vehicle charger, as shown and described.

DESCRIPTION

FIG. 1 is a front-right-top perspective view of an embodiment of an electric vehicle charger;
 FIG. 2 is a front view of the electric vehicle charger of FIG. 1;
 FIG. 3 is a right side view of the electric vehicle charger of FIG. 1;
 FIG. 4 is a left side view of the electric vehicle charger of FIG. 1;
 FIG. 5 is a rear view of the electric vehicle charger of FIG. 1;
 FIG. 6 is a top view of the electric vehicle charger of FIG. 1;
 FIG. 7 is a bottom view of the electric vehicle charger of FIG. 1; and,
 FIG. 8 is a back-left-top perspective view of the electric vehicle charger of FIG. 1.

The broken lines in FIGS. 1-8 and the unshaded region therein are for illustrative purposes only and form no part of the claimed design of the respective embodiment.

1 Claim, 7 Drawing Sheets



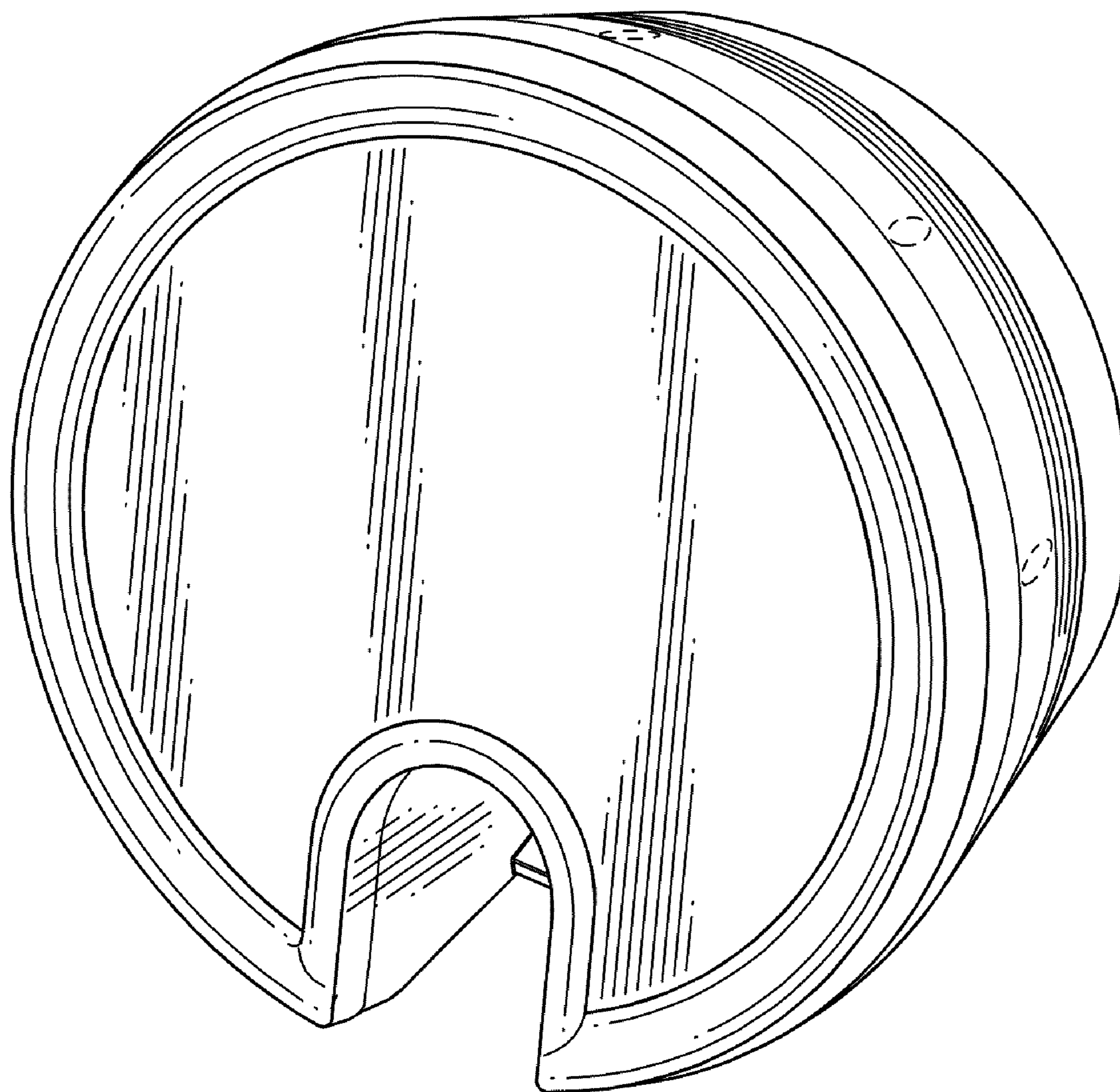


FIG. 1

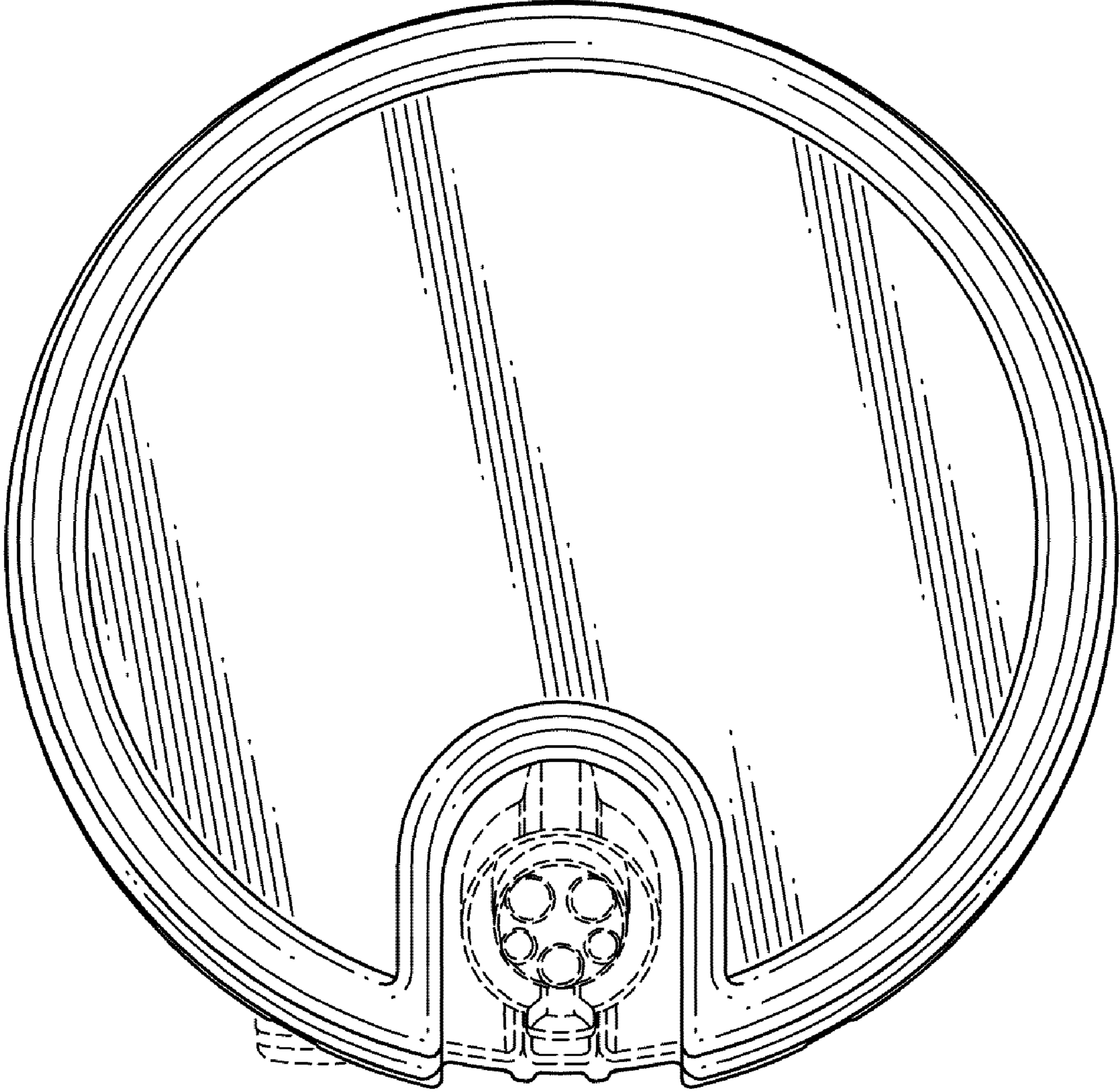


FIG. 2

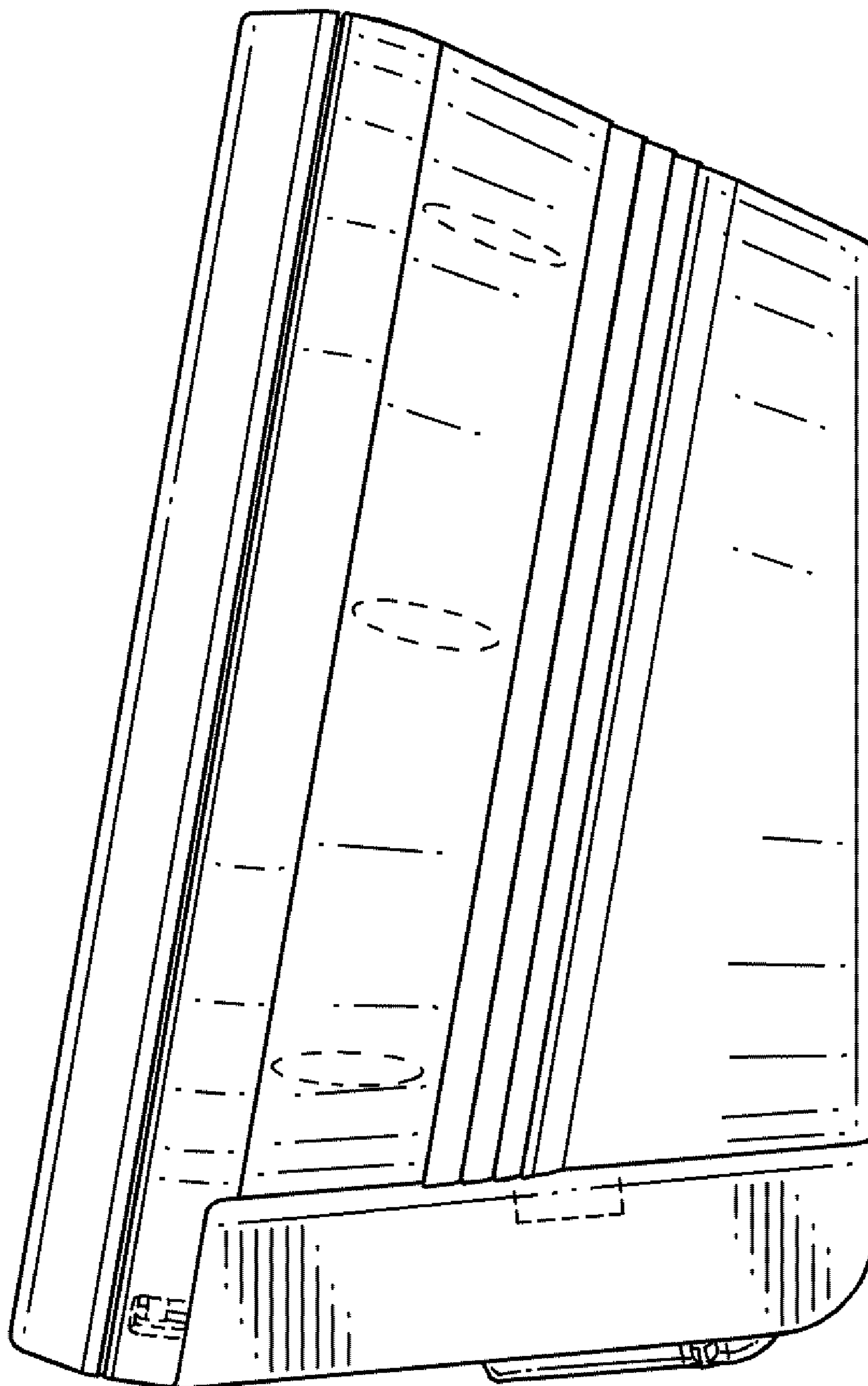


FIG. 3

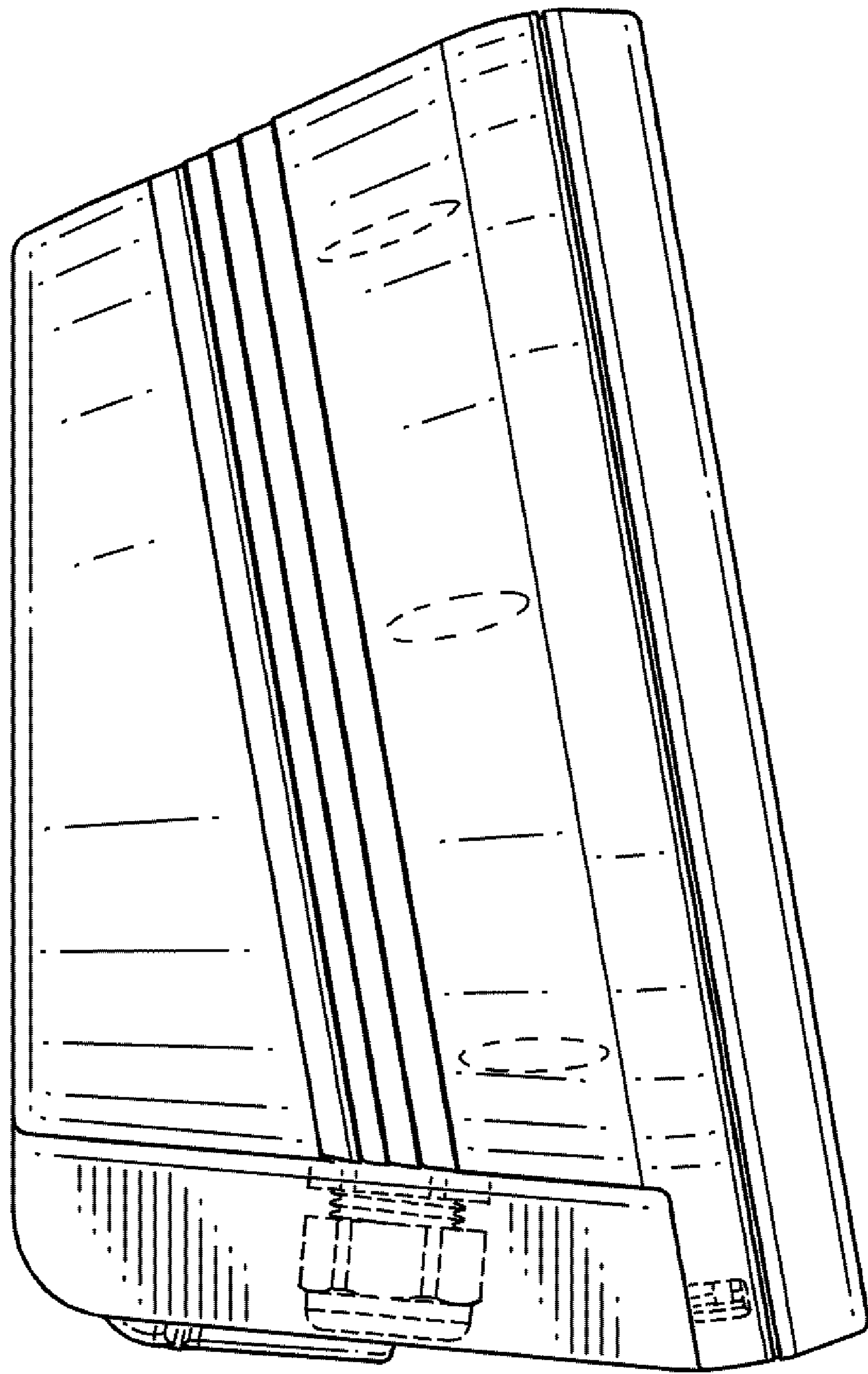


FIG. 4

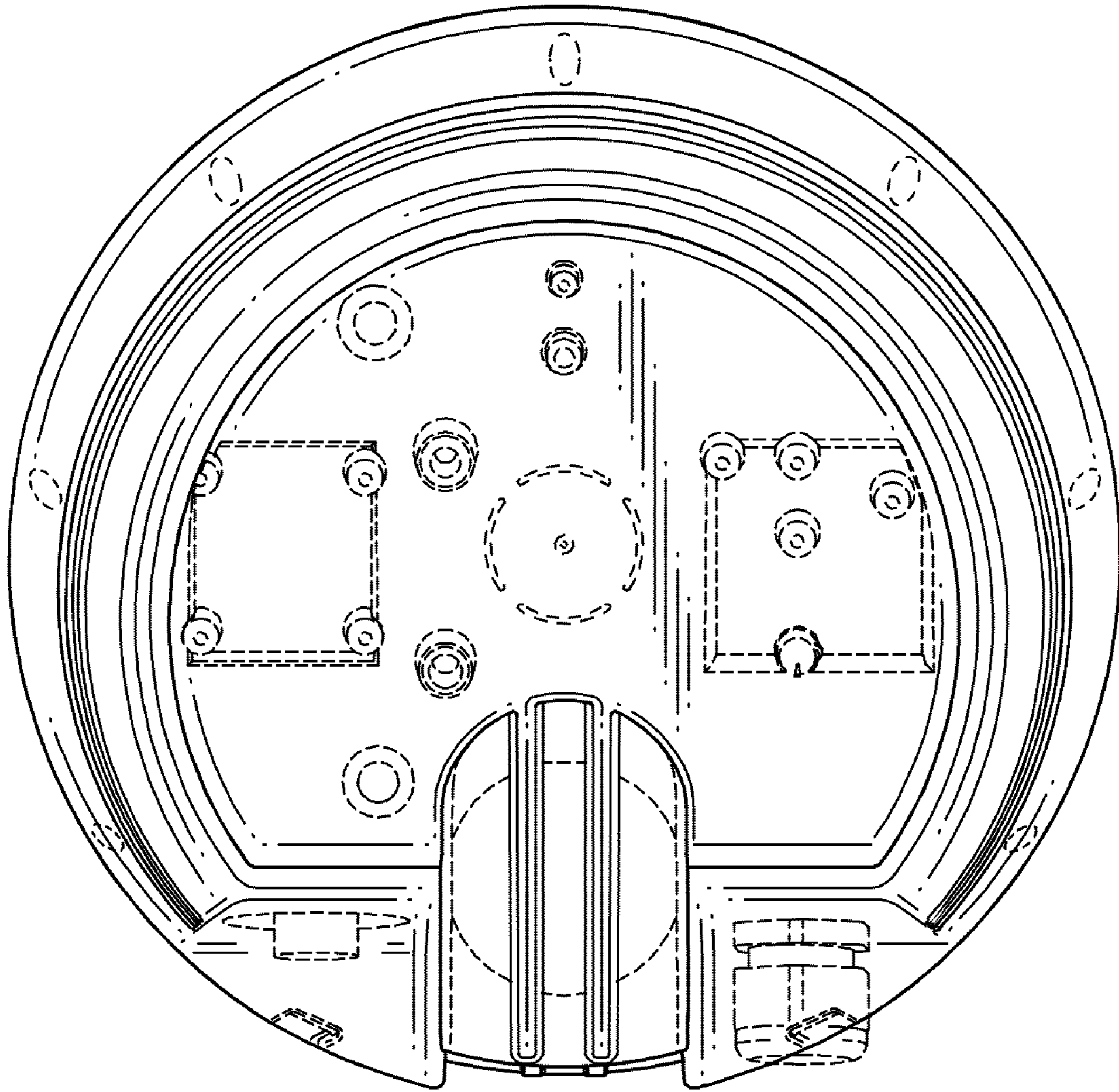


FIG. 5

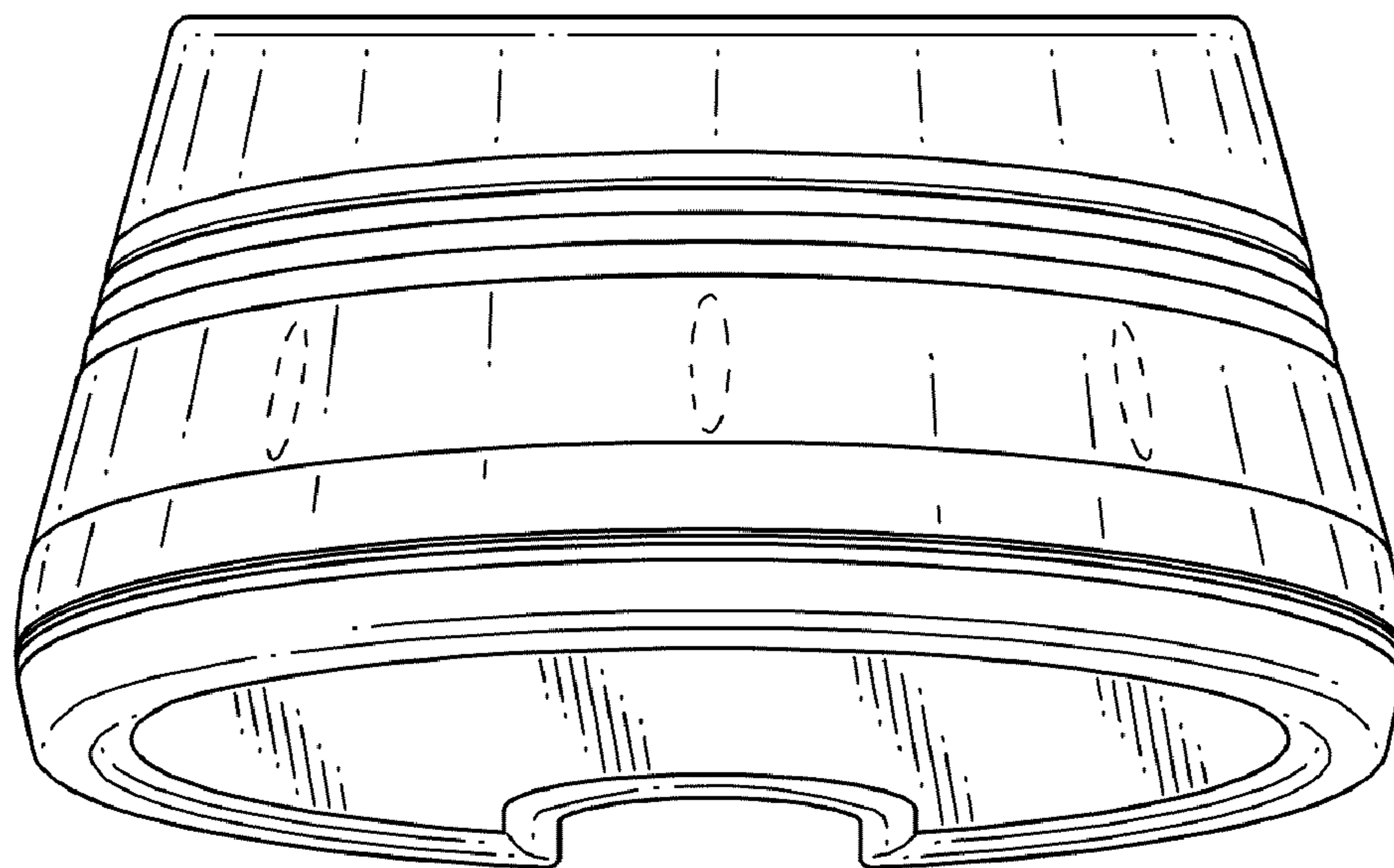


FIG. 6

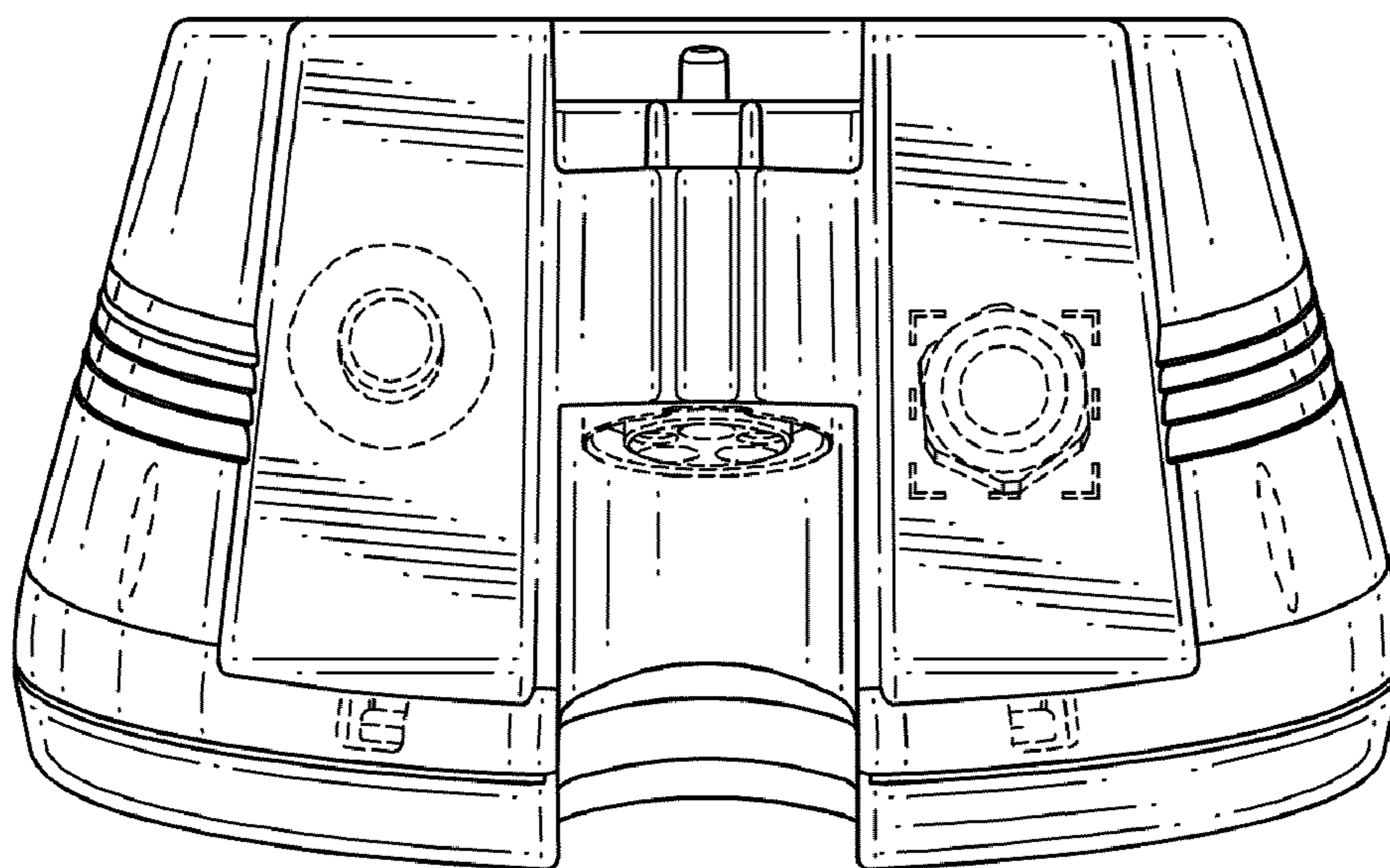


FIG. 7

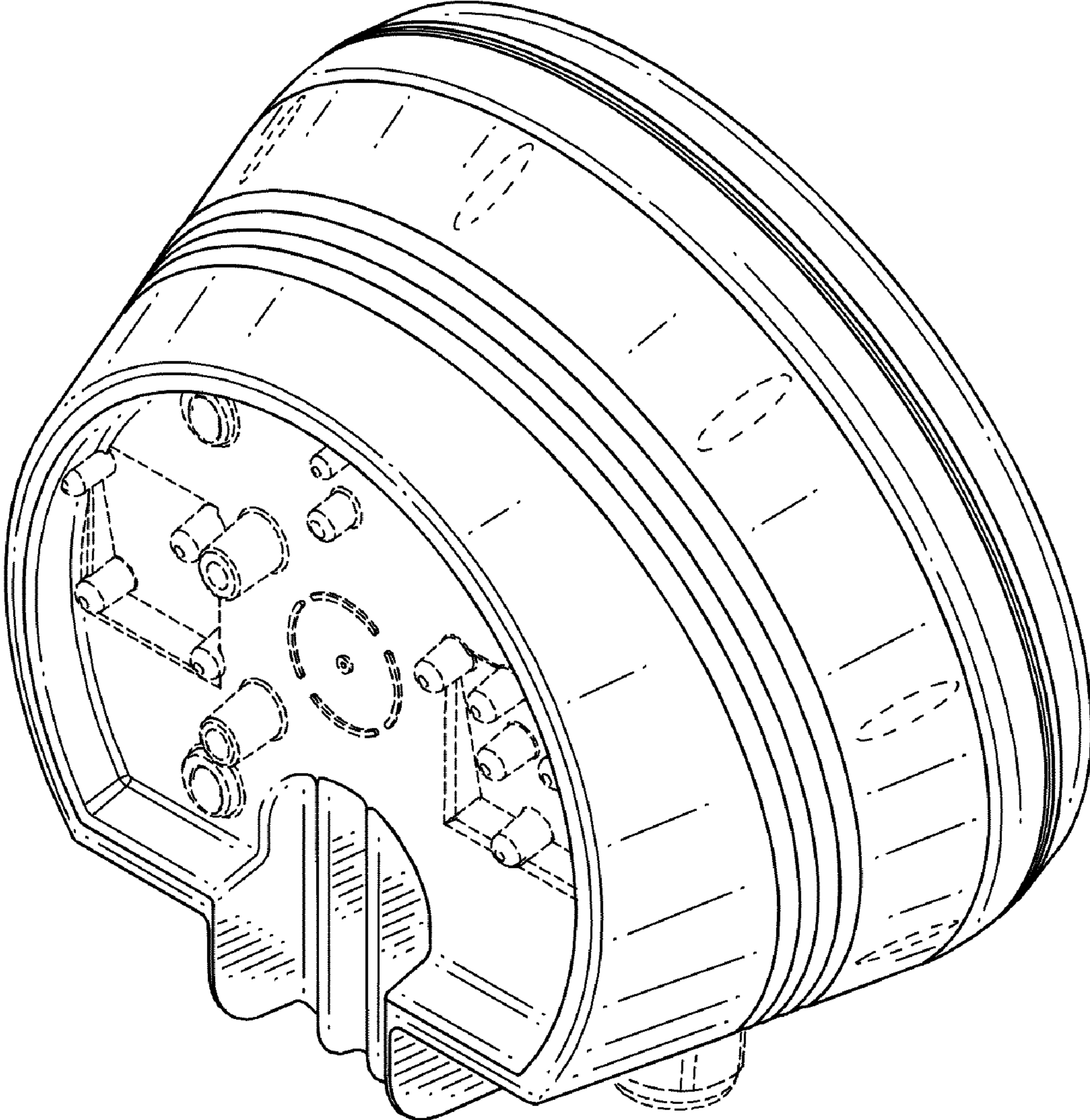


FIG. 8