



US00D651560S

(12) **United States Design Patent**  
**Park et al.**

(10) **Patent No.:** **US D651,560 S**  
(45) **Date of Patent:** **\*\* \*Jan. 3, 2012**

(54) **BATTERY PACK**

(75) Inventors: **Keith Park**, Nanjing (CN); **Jianjun Shuang**, Nanjing (CN)

(73) Assignee: **Chervon Limited**, Wanchai (HK)

(\*) Notice: This patent is subject to a terminal disclaimer.

(\*\*) Term: **14 Years**

(21) Appl. No.: **29/378,909**

(22) Filed: **Nov. 11, 2010**

(30) **Foreign Application Priority Data**

May 14, 2010 (CN) ..... 2010 3 0170691

(51) **LOC (9) Cl.** ..... **13-02**

(52) **U.S. Cl.** ..... **D13/103**

(58) **Field of Classification Search** ..... D13/102–106,  
D13/110, 118–121, 184, 199; 429/96–100,  
429/163, 176

See application file for complete search history.

(56) **References Cited**

**U.S. PATENT DOCUMENTS**

D415,100 S \* 10/1999 Buck ..... D13/103  
D545,759 S \* 7/2007 Ino et al. .... D13/103  
D555,086 S \* 11/2007 Zhang ..... D13/103  
D556,677 S \* 12/2007 Watson ..... D13/103

D562,227 S \* 2/2008 Yamada et al. .... D13/103  
D562,228 S \* 2/2008 Okada et al. .... D13/103  
D588,986 S \* 3/2009 Zhang ..... D13/110  
D589,439 S \* 3/2009 Van Wambeke ..... D13/103  
D589,440 S \* 3/2009 Van Wambeke ..... D13/103  
D589,441 S \* 3/2009 Van Wambeke ..... D13/103  
D622,661 S \* 8/2010 Yamada et al. .... D13/103  
D633,036 S \* 2/2011 Murray ..... D13/103

\* cited by examiner

*Primary Examiner* — Rosemary K Tarcza

(74) *Attorney, Agent, or Firm* — McDermott Will & Emery LLP

(57) **CLAIM**

We claim the ornamental design for a battery pack, as shown and described.

**DESCRIPTION**

FIG. 1 is a right side view of a battery pack according to the new design.

FIG. 2 is a left side view of the battery pack shown in FIG. 1.

FIG. 3 is a front view of the battery pack shown in FIG. 1.

FIG. 4 is a rear view of the battery pack shown in FIG. 1.

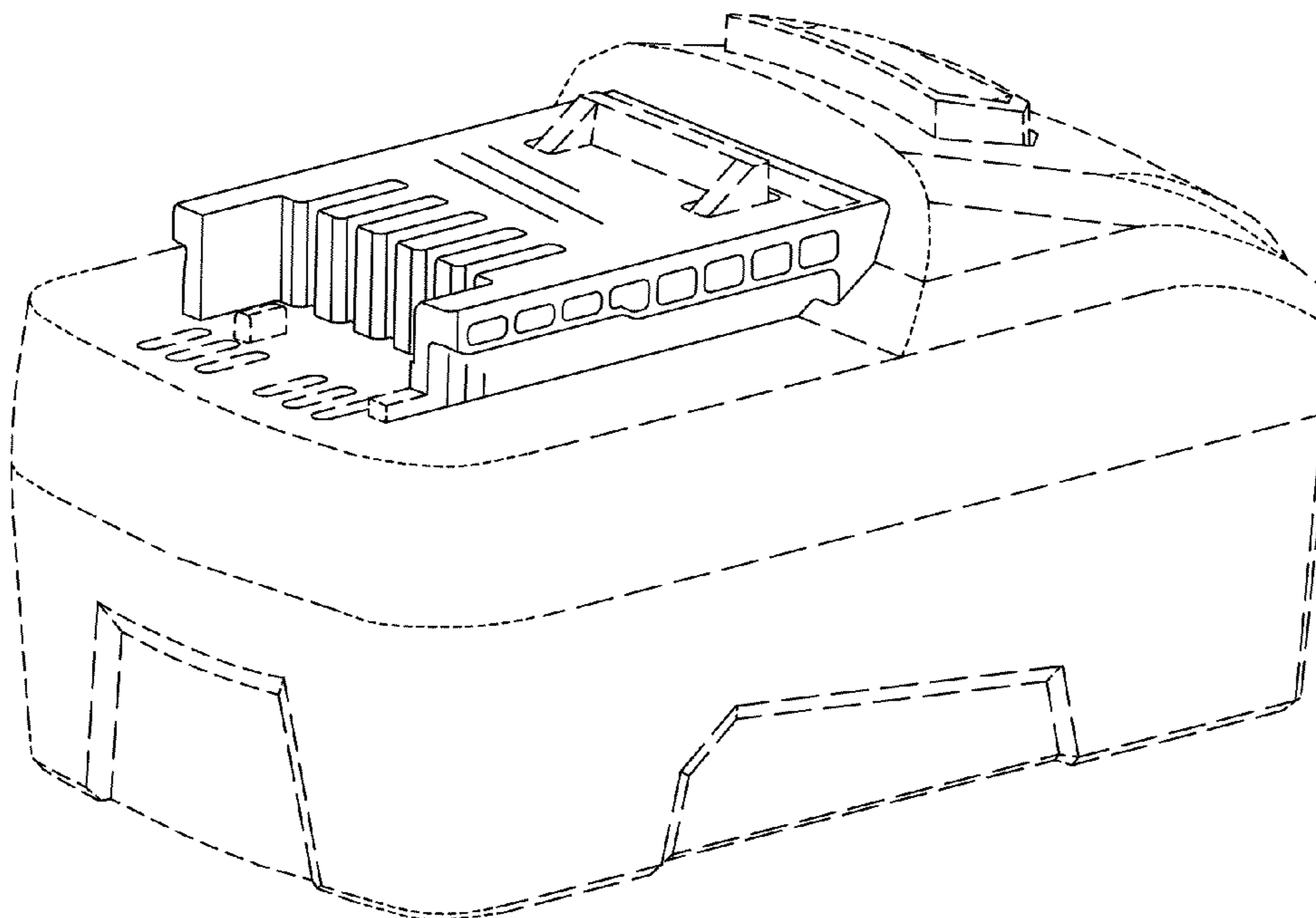
FIG. 5 is a top view of the battery pack shown in FIG. 1.

FIG. 6 is a bottom view of the battery pack shown in FIG. 1; and,

FIG. 7 is a perspective view of the battery pack shown in FIG. 1.

The broken lines shown in the drawings are included for the purpose of illustrating unclaimed portions of the battery pack and form no part of the claimed design.

**1 Claim, 7 Drawing Sheets**



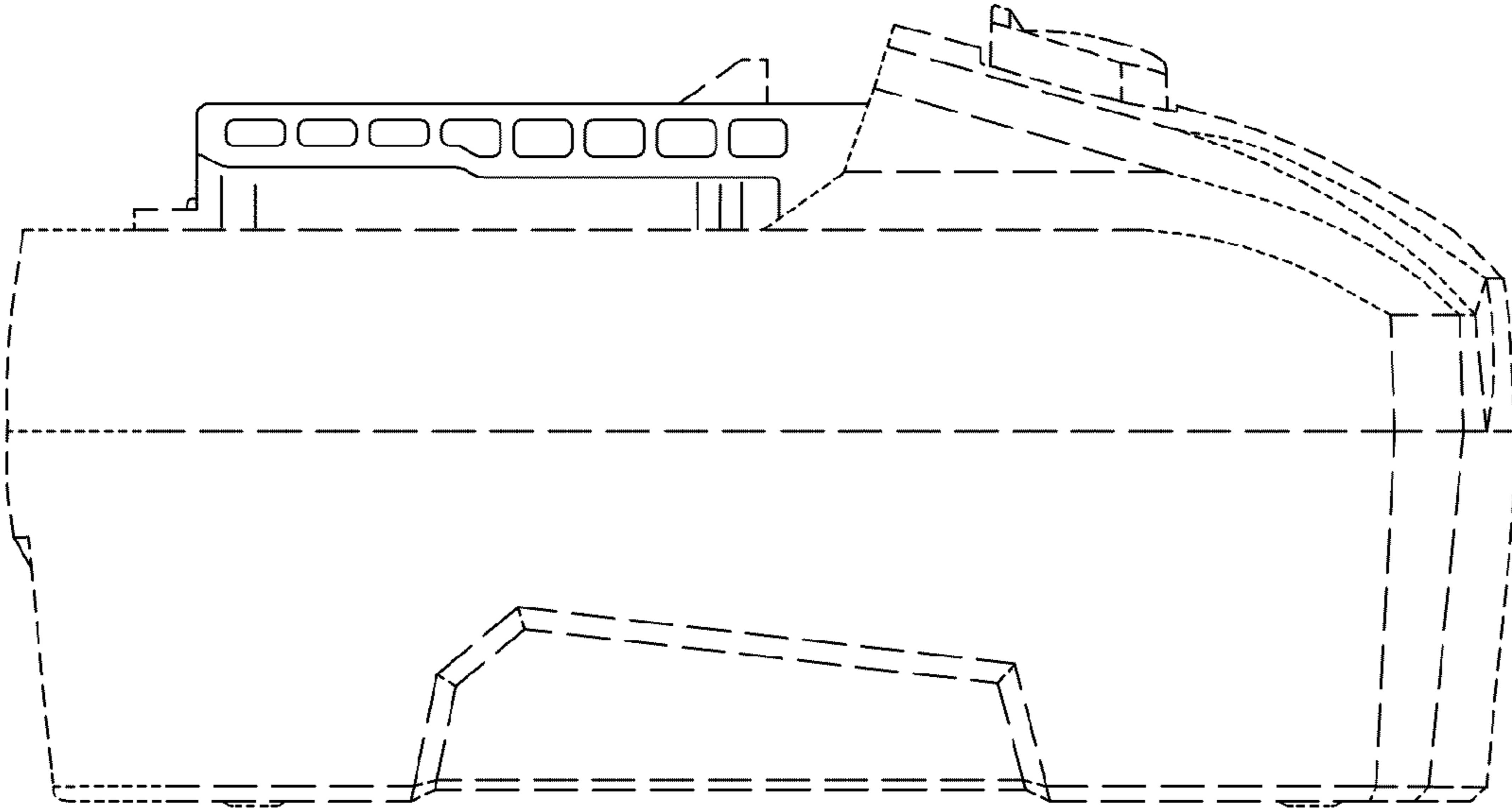


Fig. 1

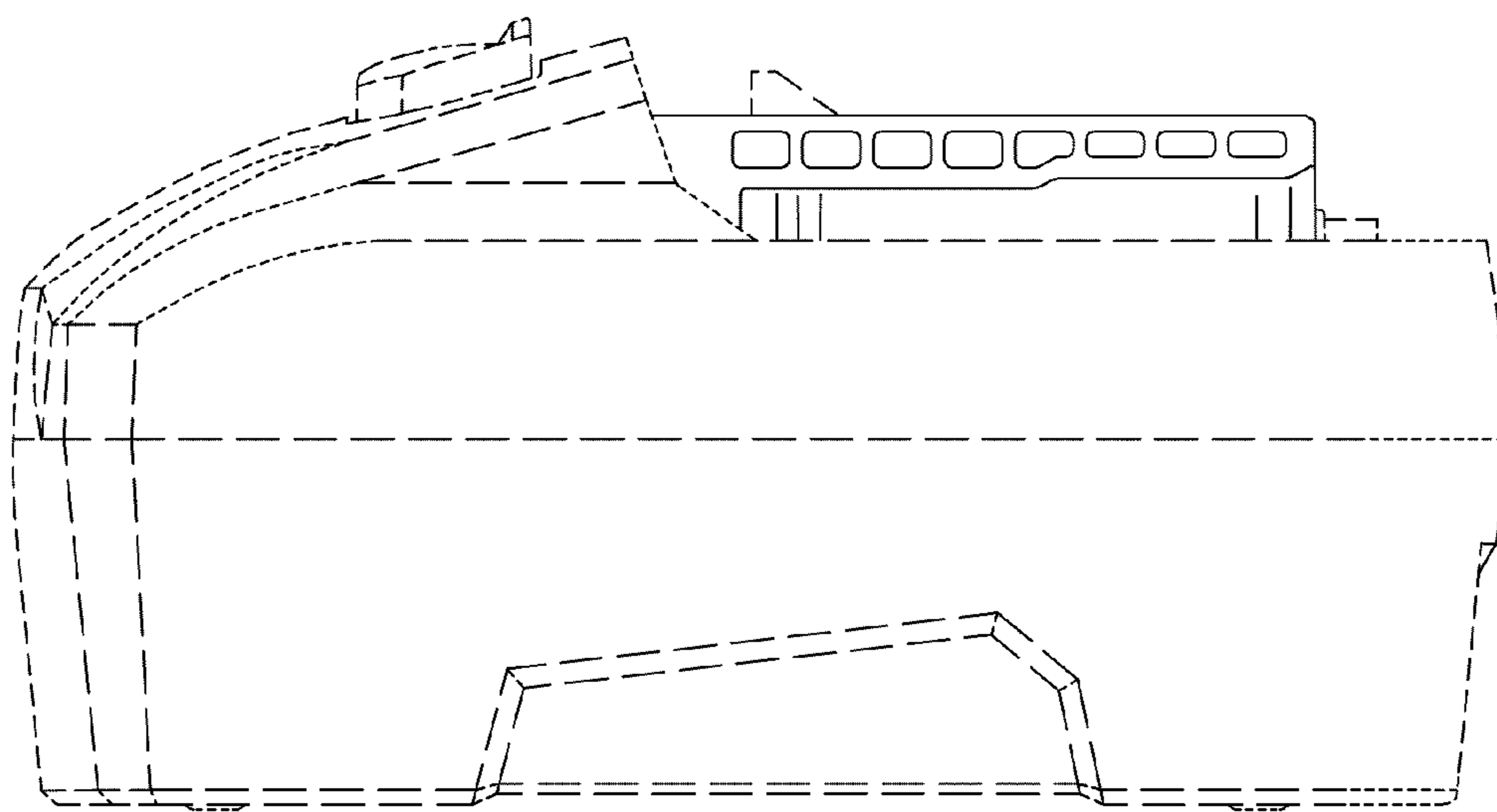


Fig. 2

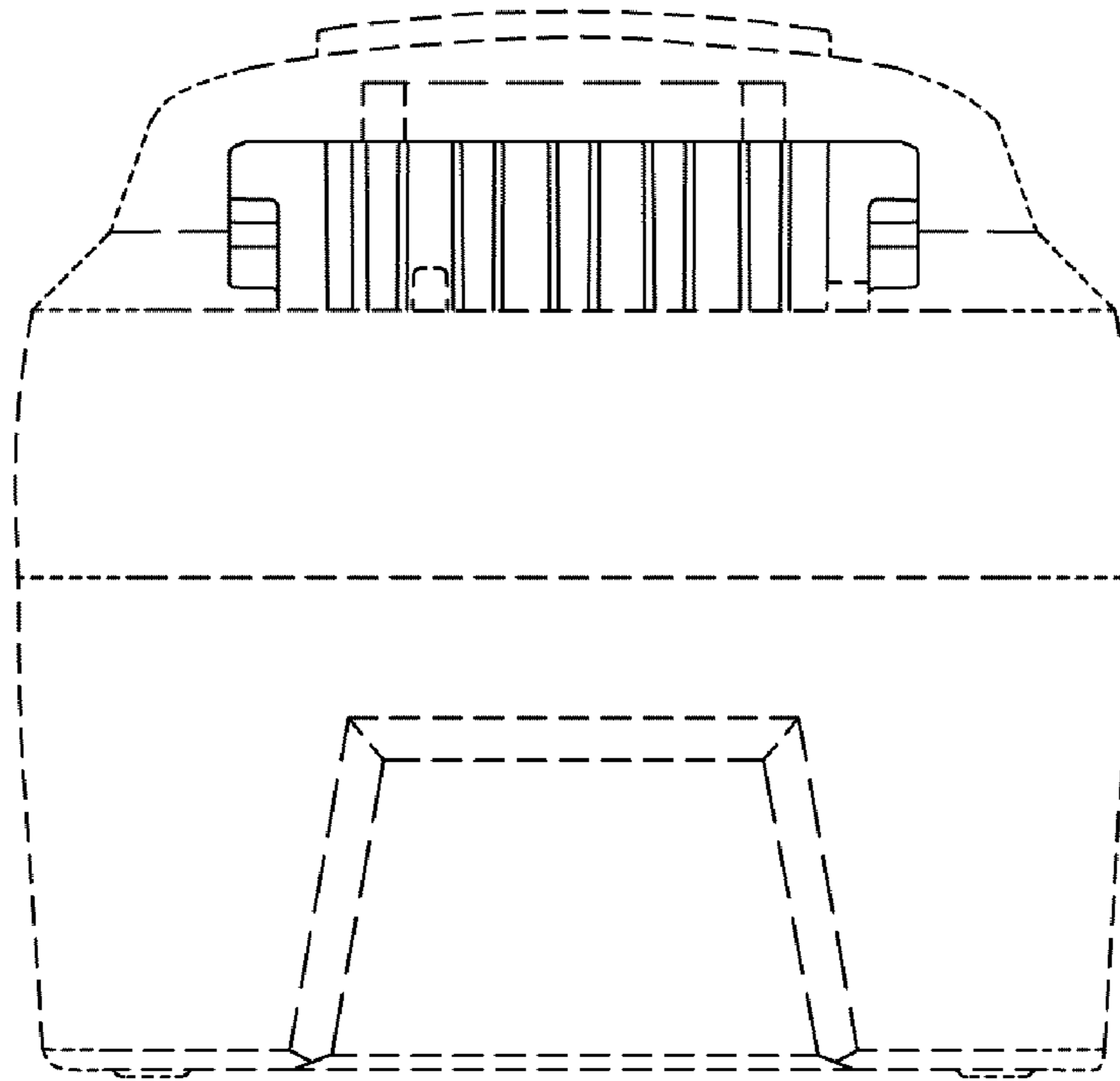


Fig. 3

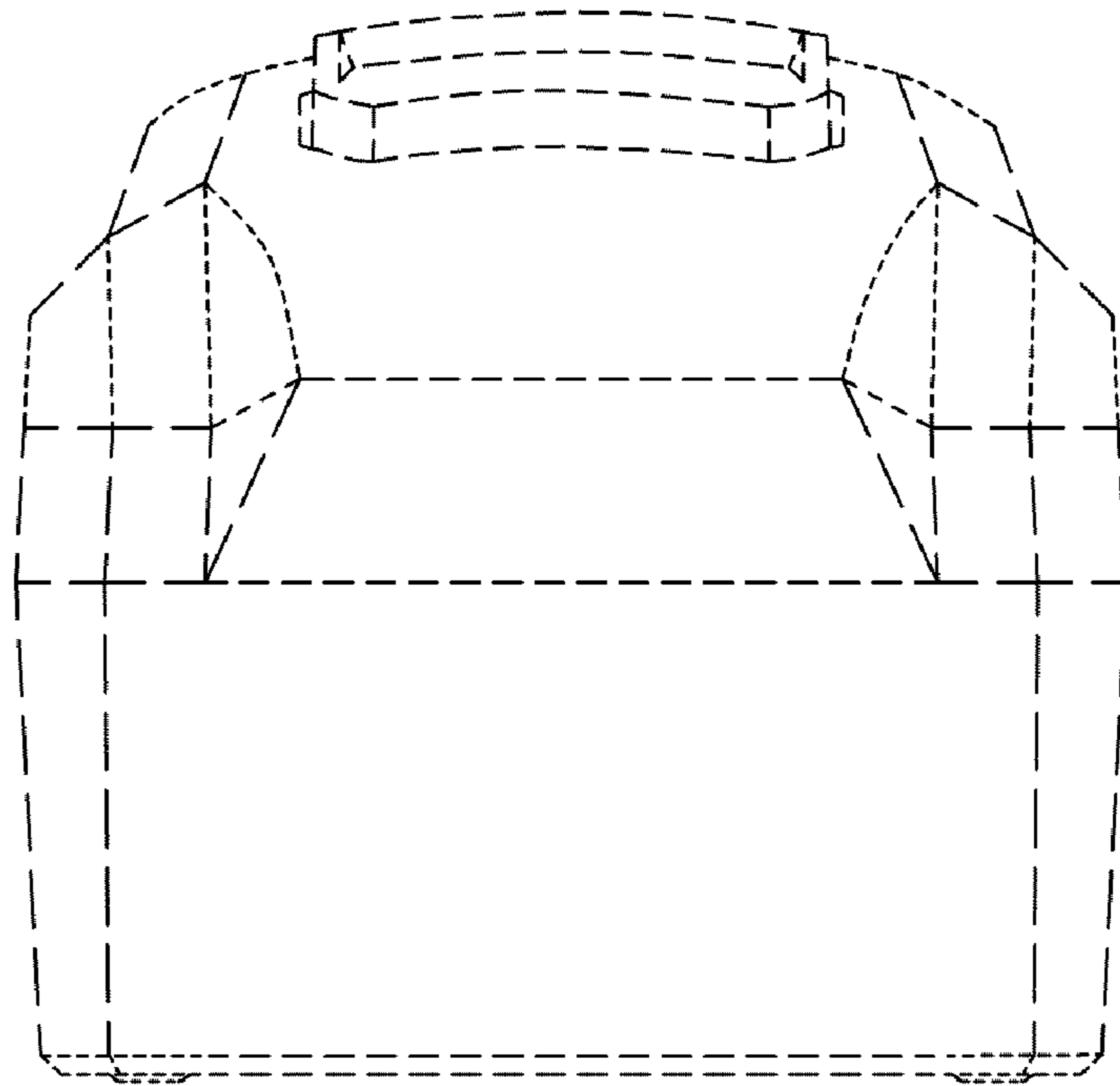


Fig. 4

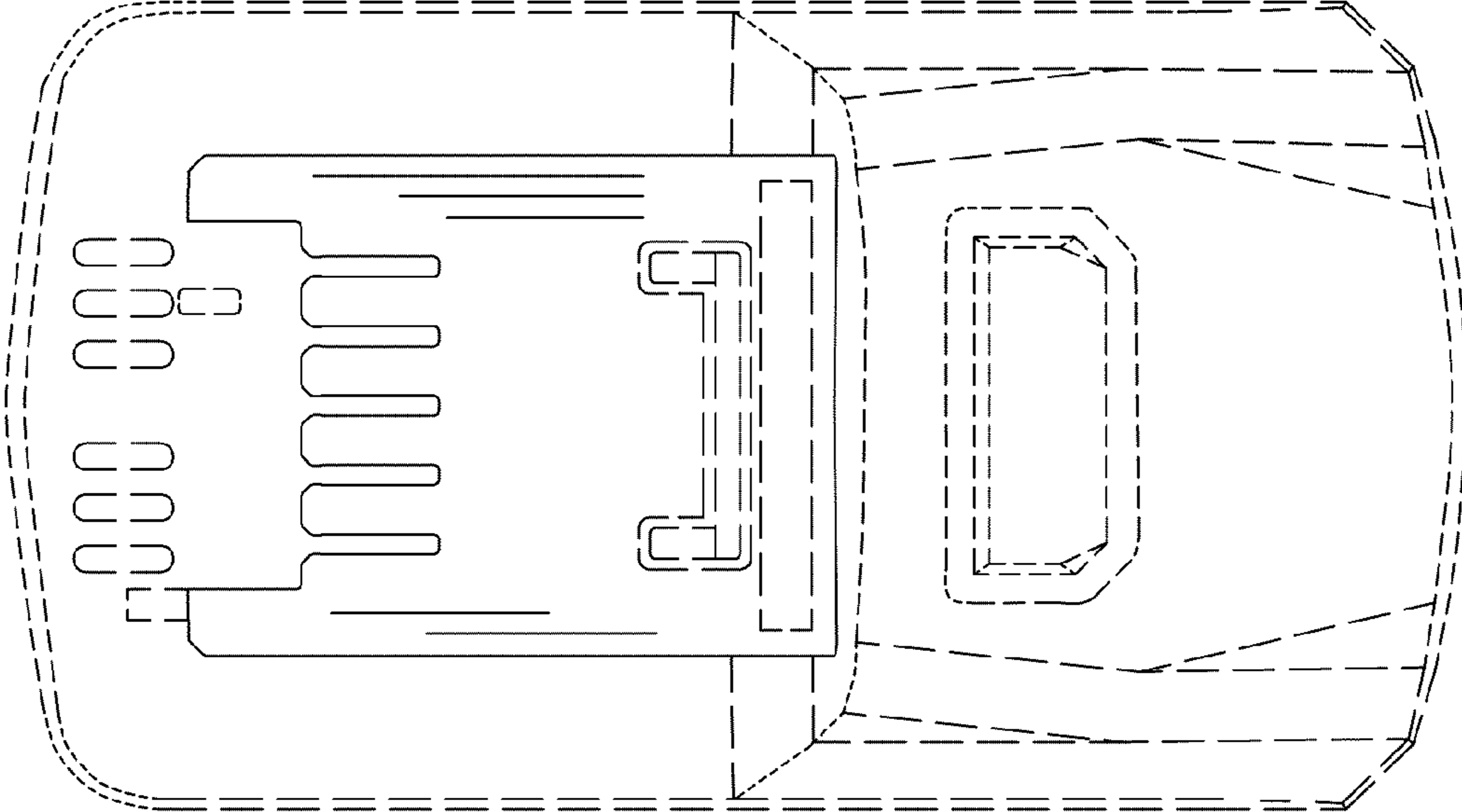


Fig. 5

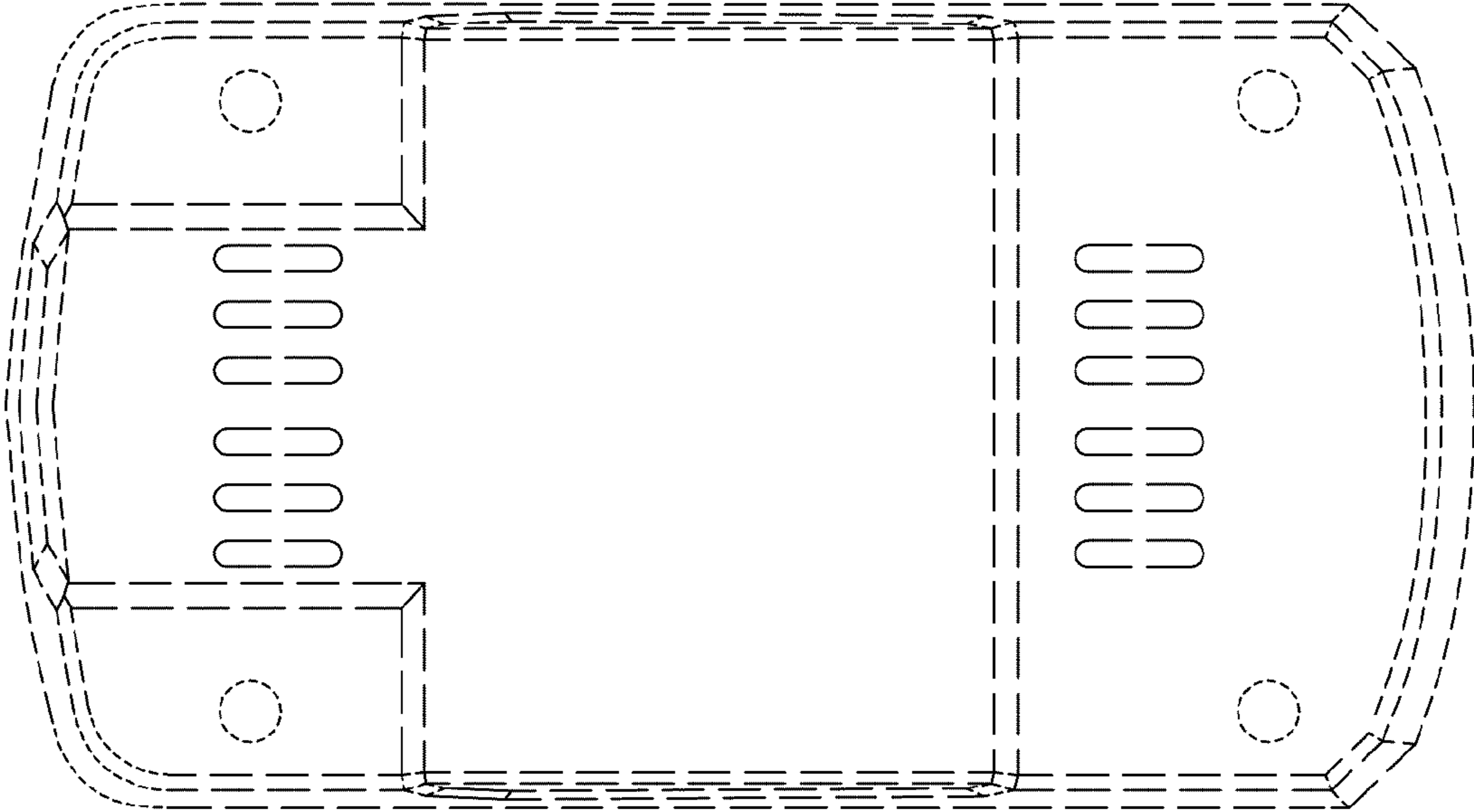


Fig. 6

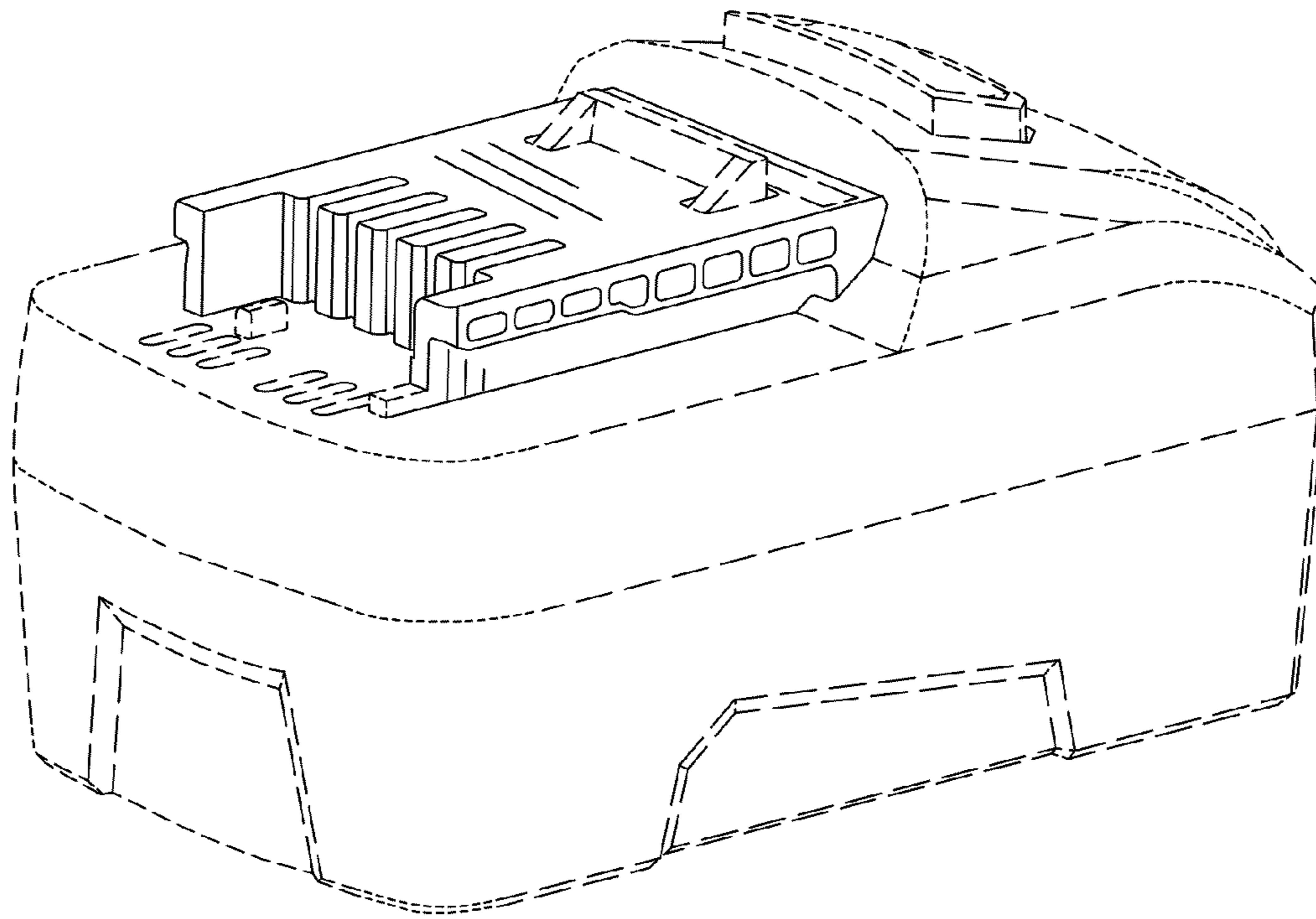


Fig. 7