



US00D651556S

(12) **United States Design Patent**
Westaway

(10) **Patent No.:** **US D651,556 S**
(45) **Date of Patent:** **** Jan. 3, 2012**

(54) **TIRE TREAD**

(75) Inventor: **Terry A. Westaway**, Conesville, IA (US)

(73) Assignee: **Bridgestone Bandag, LLC**, Muscatine, IA (US)

(**) Term: **14 Years**

(21) Appl. No.: **29/398,555**

(22) Filed: **Aug. 2, 2011**

(51) **LOC (9) Cl.** **12-15**

(52) **U.S. Cl.** **D12/586**

(58) **Field of Classification Search** D12/568-603,
D12/551, 553, 900-901; 152/209.1-209.28,
152/455

See application file for complete search history.

(56) **References Cited**

U.S. PATENT DOCUMENTS

D208,132 S *	7/1967	Wittenmyer	D12/586
D288,914 S *	3/1987	Hinkel et al.	D12/586
D339,774 S *	9/1993	Shinohara et al.	D12/586
D359,714 S *	6/1995	Hammond et al.	D12/586
D367,446 S *	2/1996	Schuster	D12/586
D382,519 S *	8/1997	Young et al.	D12/586
D388,031 S *	12/1997	Loeffler et al.	D12/586
D397,654 S *	9/1998	Heinen	D12/586
D402,238 S *	12/1998	Young et al.	D12/586
D405,729 S *	2/1999	Hagmaier et al.	D12/586

D415,721 S *	10/1999	Zurita	D12/586
D428,368 S *	7/2000	Harris et al.	D12/586
D642,974 S *	8/2011	Koshio	D12/600
D644,598 S *	9/2011	Yokomakura	D12/586
D645,809 S *	9/2011	Murphy et al.	D12/586

* cited by examiner

Primary Examiner — Stacia Cadmus

(57) **CLAIM**

The ornamental design for a tire tread, as shown and described.

DESCRIPTION

FIG. 1 is a side perspective view of a tire tread showing my new design, it being understood that the tread pattern is repeated throughout the circumference of the tire tread, the opposite side being the same as that shown;

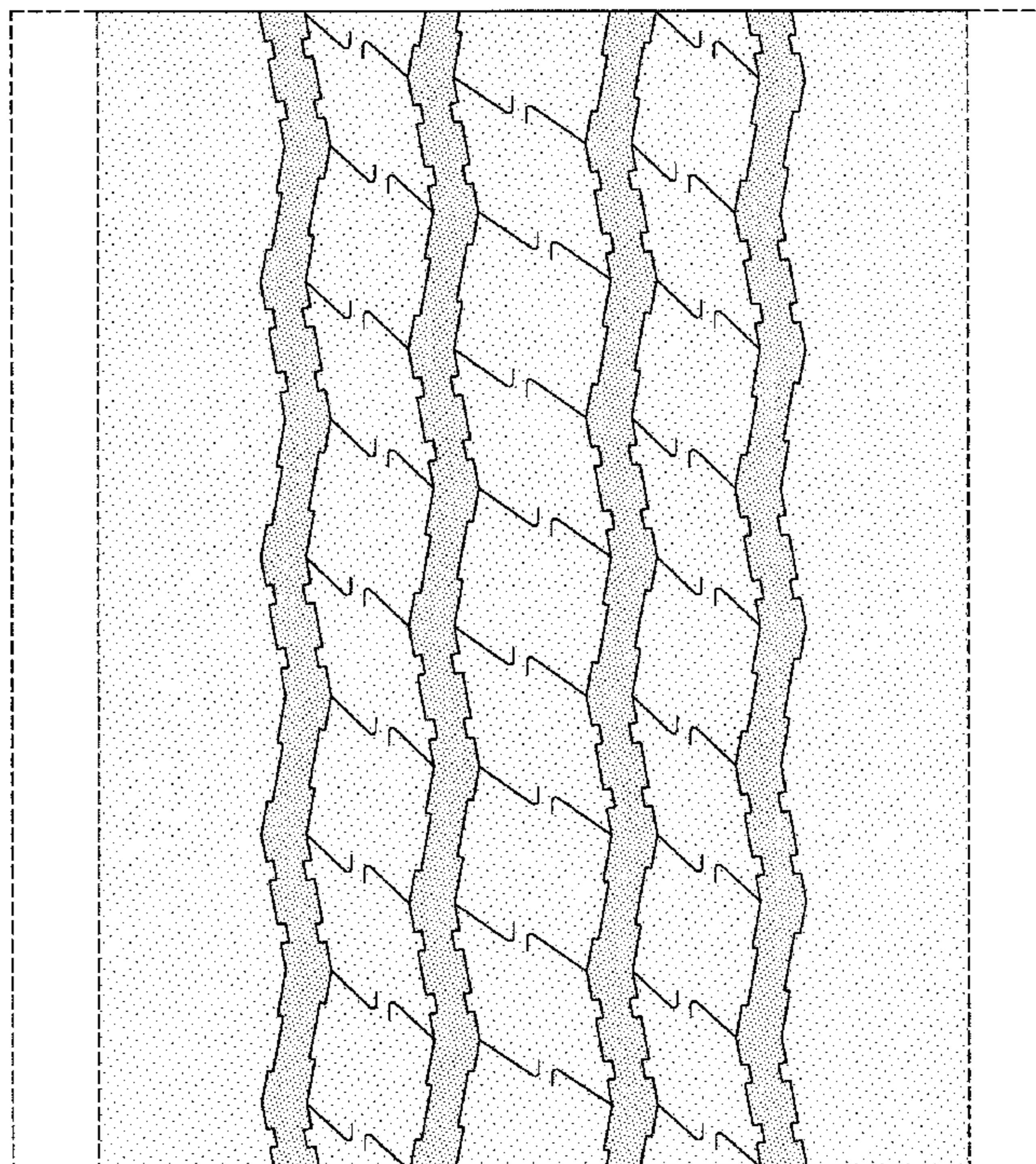
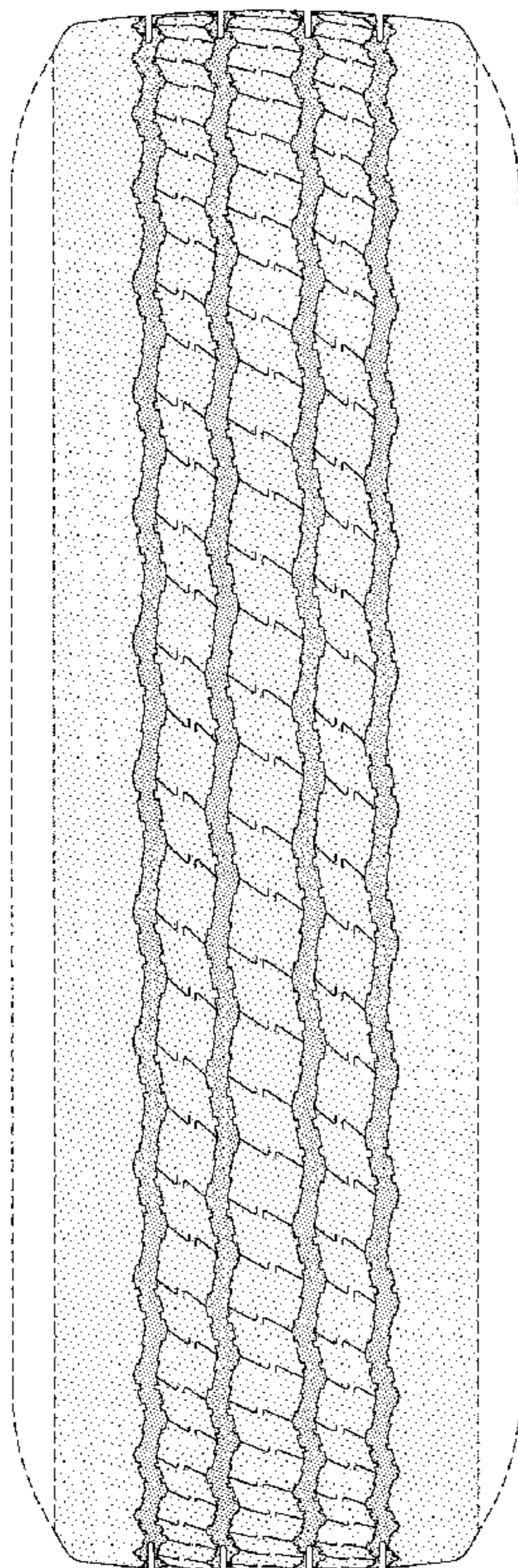
FIG. 2 is a front elevational view thereof, the opposite side being identical thereto;

FIG. 3 is a side elevational view of the right side thereof, the opposite side being identical thereto; and,

FIG. 4 is an enlarged fragmentary front elevational view thereof.

The broken lines defining the sidewall, inner bead, and the peripheral boundary between the claimed tire tread and the sidewall depict environmental subject matter that forms no part of the claimed design.

1 Claim, 4 Drawing Sheets



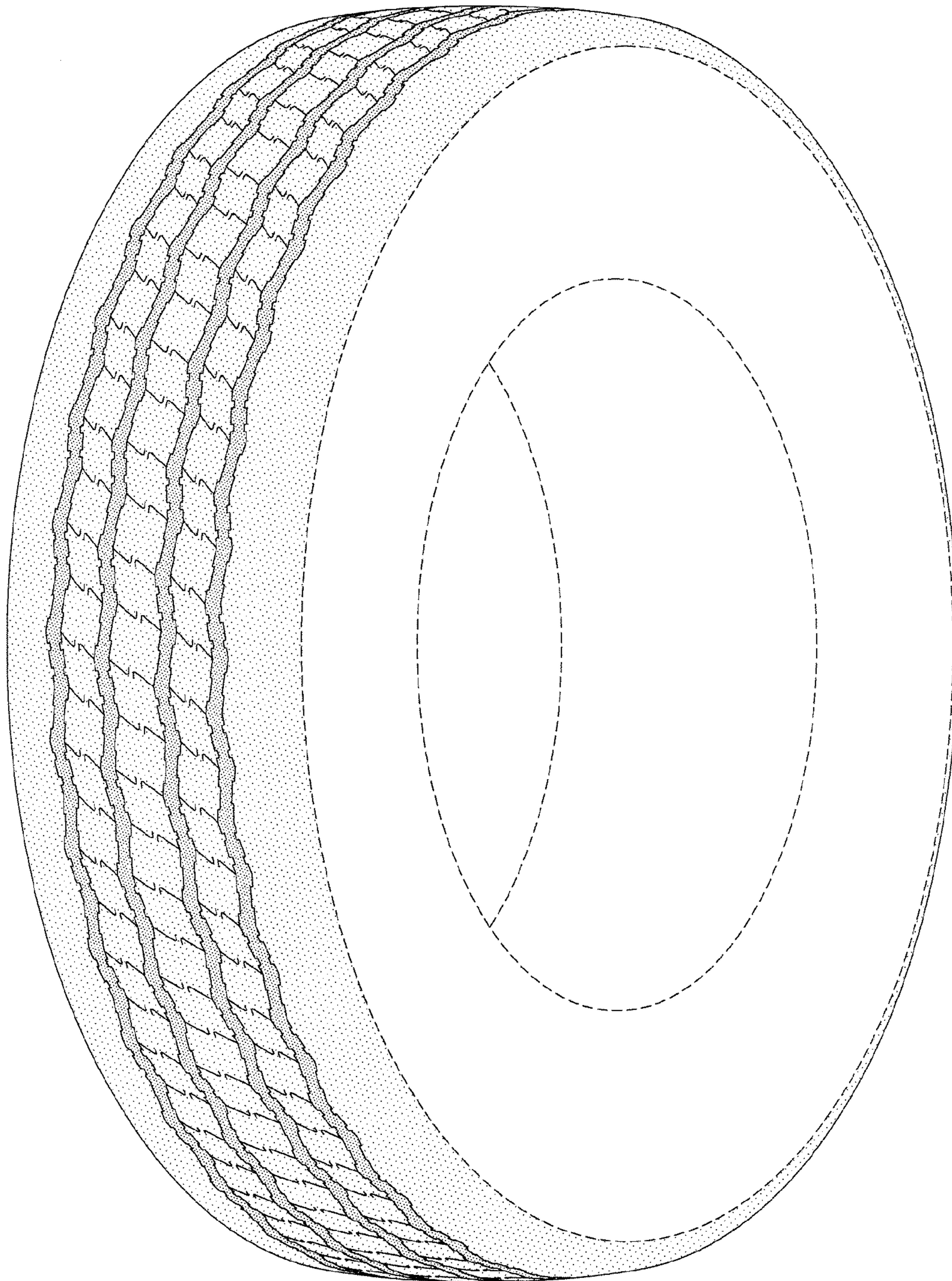


FIG-1

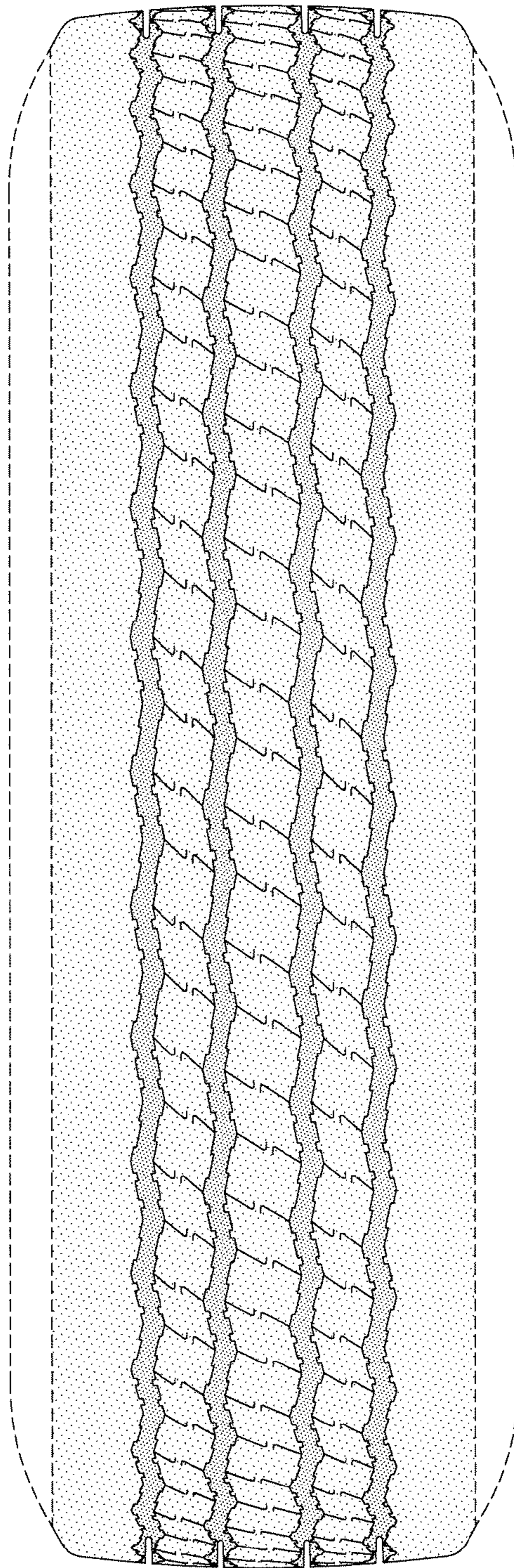


FIG-2

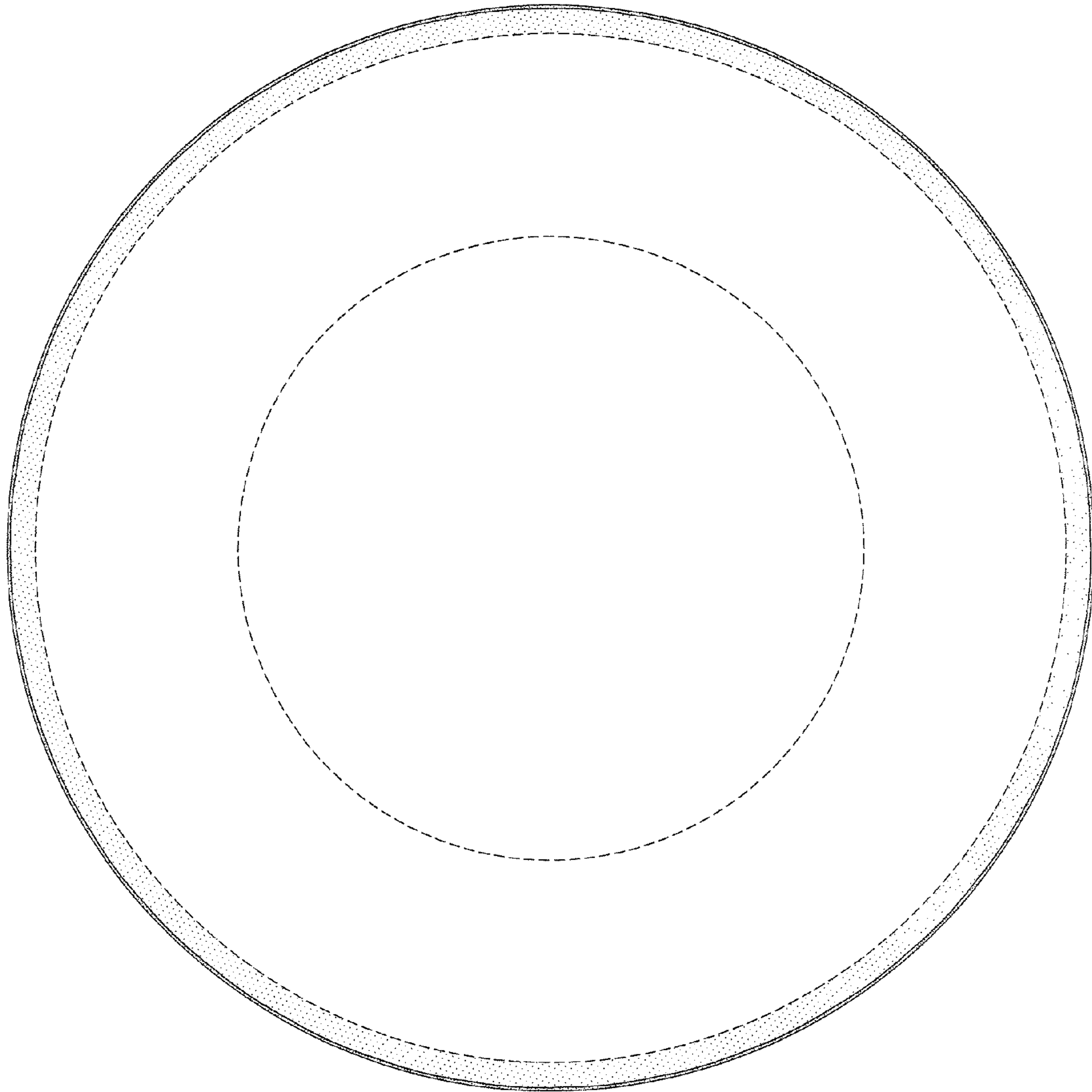


FIG-3

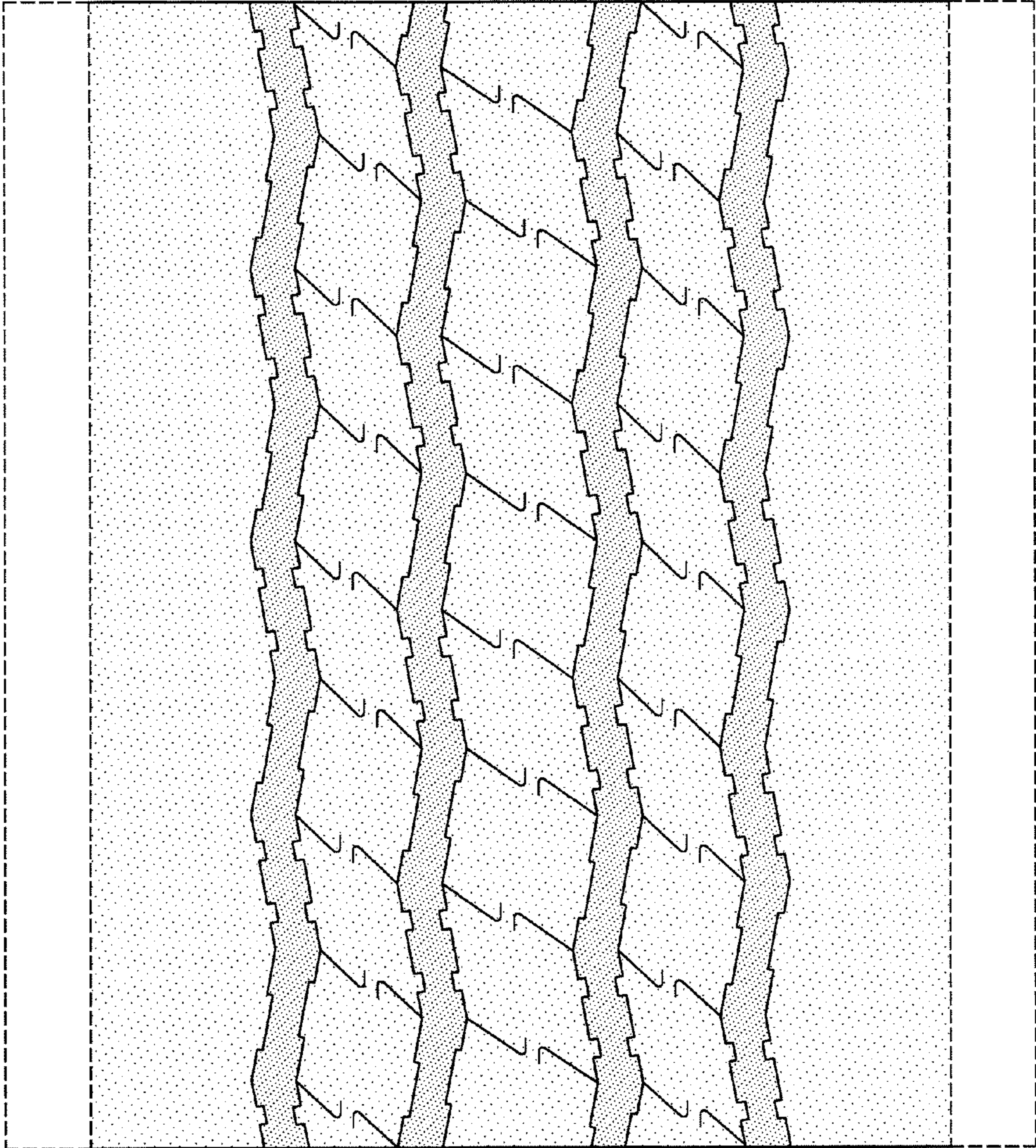


FIG-4