

US00D651550S

(12) **United States Design Patent**  
**Elmitt**

(10) **Patent No.:** **US D651,550 S**  
(45) **Date of Patent:** **\*\* Jan. 3, 2012**

(54) **WHEEL OR WHEEL COVER**  
(75) Inventor: **Karl-Johann Elmitt**, Eching (DE)  
(73) Assignee: **Bayerische Motoren Werke Aktiengesellschaft**, Munich (DE)  
(\*\*) Term: **14 Years**  
(21) Appl. No.: **29/390,768**  
(22) Filed: **Apr. 29, 2011**

D627,287 S \* 11/2010 Gallert ..... D12/209  
D631,813 S 2/2011 Nissl  
D635,078 S \* 3/2011 Elmitt ..... D12/209

**FOREIGN PATENT DOCUMENTS**

EM 000422795-0001 12/2005  
EM 000863055-0001 3/2008  
EM 000871843-0001 3/2008  
EM 001804675-0004 1/2011  
EM 001804675-0005 1/2011  
EM 001804709-0003 1/2011  
EM 001693599-0001 6/2011

\* cited by examiner

*Primary Examiner* — Stacia Cadmus

(74) *Attorney, Agent, or Firm* — Crowell & Moring LLP

(30) **Foreign Application Priority Data**  
Oct. 30, 2010 (DE) ..... 402010006028  
(51) **LOC (9) Cl.** ..... **12-16**  
(52) **U.S. Cl.** ..... **D12/209**  
(58) **Field of Classification Search** ..... D12/204-213;  
301/37.101, 64.101, 65, 64.201  
See application file for complete search history.

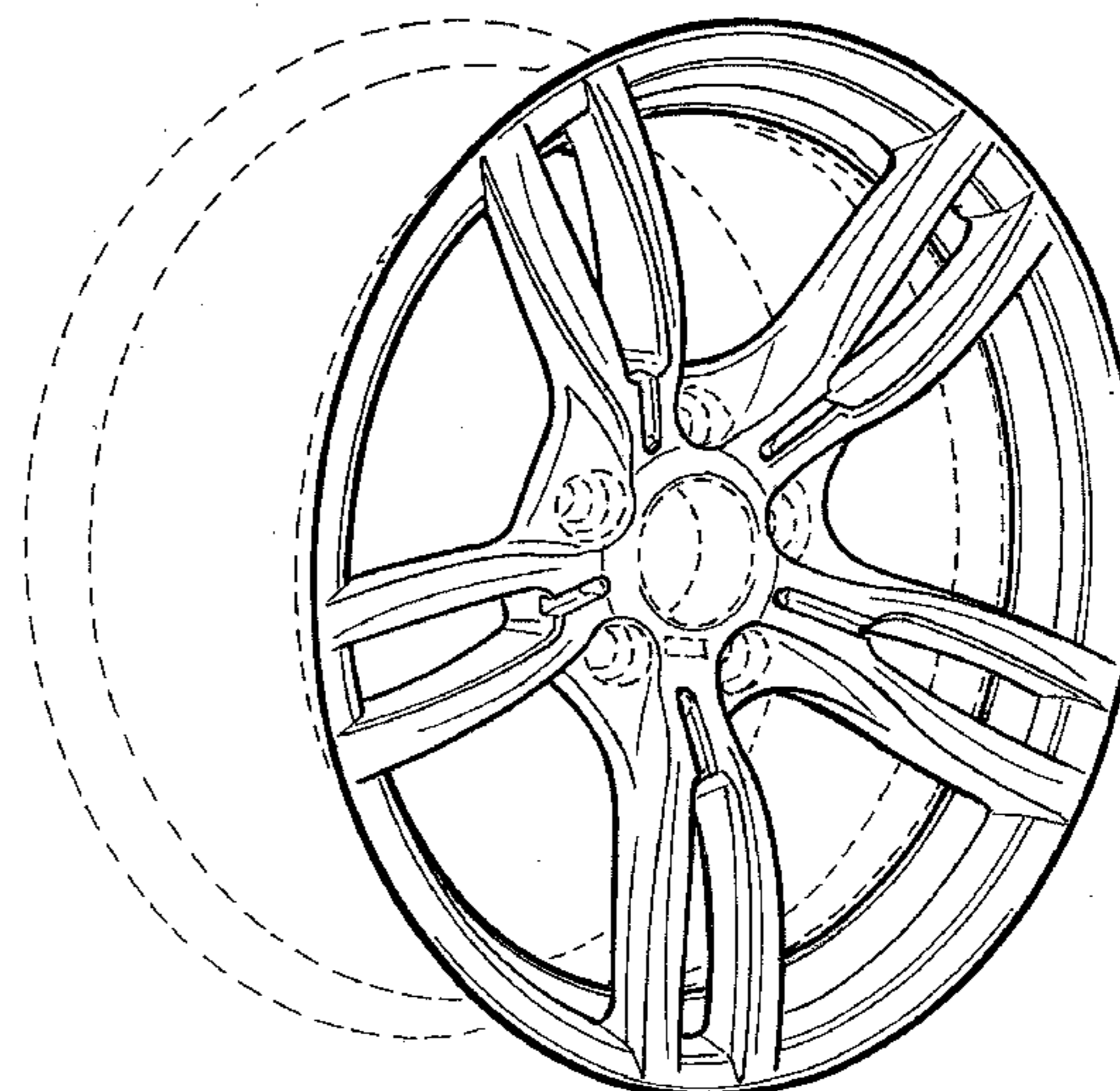
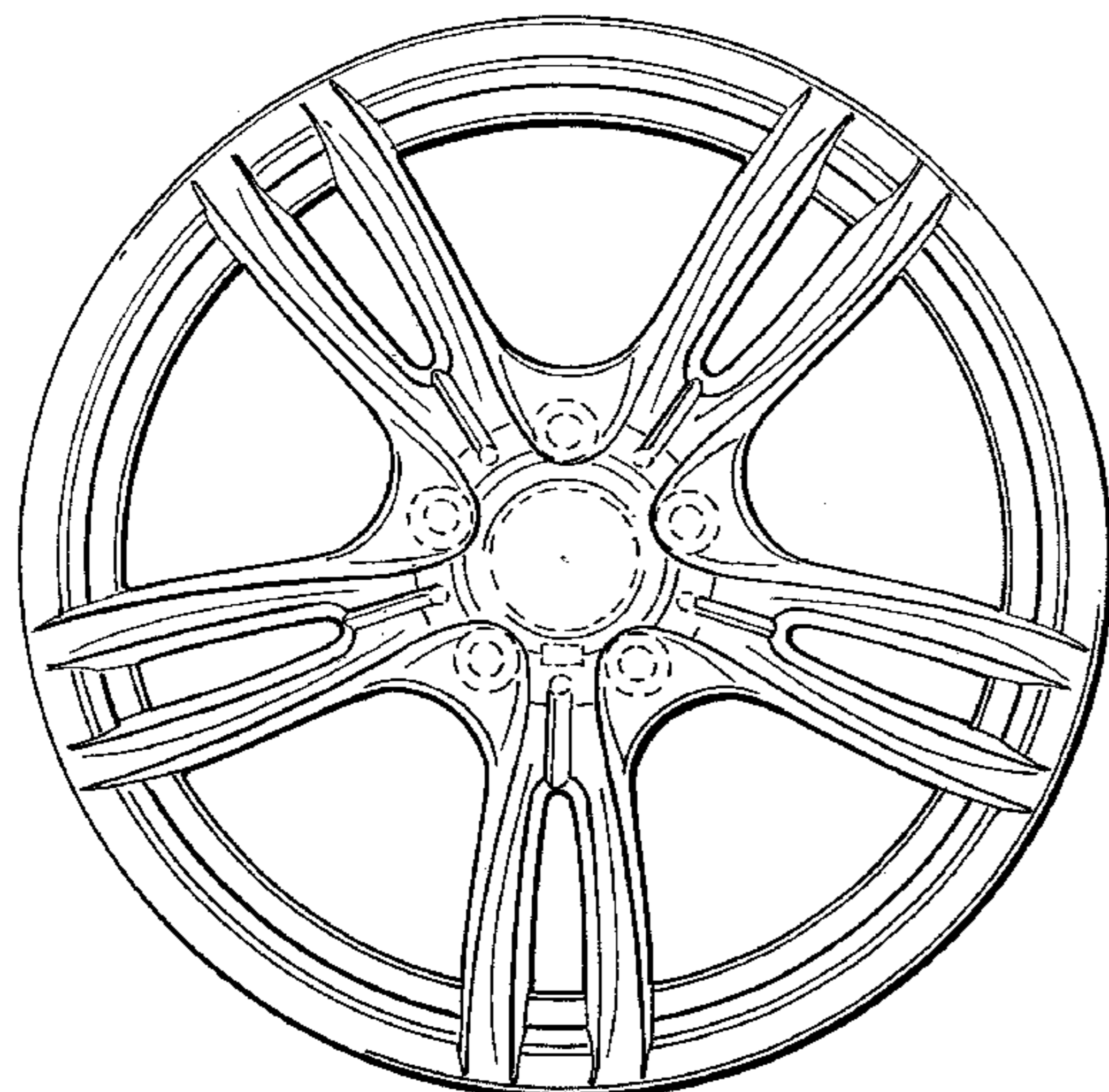
(57) **CLAIM**  
The ornamental design for a wheel or wheel cover, as shown and described.

**DESCRIPTION**

This application contains subject matter related to the following co-pending U.S. design patent applications: Application Ser. No. 29/371,358, filed Jan. 14, 2011 and entitled "Wheel or Wheel Cover;" Application Ser. No. 29/371,361, filed Jan. 14, 2011 and entitled "Wheel or Wheel Cover;" and Application Ser. No. 29/371,387, filed Jan. 26, 2011 and entitled "Wheel or Wheel Cover." FIG. 1 is a front view of a wheel or wheel cover according to my design; and, FIG. 2 is a perspective view thereof. The broken line showing of the rear of the wheel, and the bolt holes and the center hole in the central hub area is included for the purpose of illustrating environment and forms no part of the claimed design.

(56) **References Cited**  
**U.S. PATENT DOCUMENTS**  
D421,417 S \* 3/2000 Weidhase ..... D12/209  
D466,853 S \* 12/2002 Maifrini ..... D12/211  
D478,307 S \* 8/2003 Maifrini ..... D12/211  
D522,432 S \* 6/2006 Pfeiffer ..... D12/209  
D526,948 S 8/2006 Truebsbach  
D563,305 S \* 3/2008 Schweizer ..... D12/211  
D580,840 S 11/2008 Elmitt  
D580,842 S \* 11/2008 Kim ..... D12/211  
D590,314 S 4/2009 Hettler  
D607,396 S \* 1/2010 Gallert ..... D12/209  
D620,417 S \* 7/2010 Gallert ..... D12/209  
D620,424 S \* 7/2010 Gallert ..... D12/211  
D625,235 S \* 10/2010 Nissl ..... D12/209

**1 Claim, 1 Drawing Sheet**



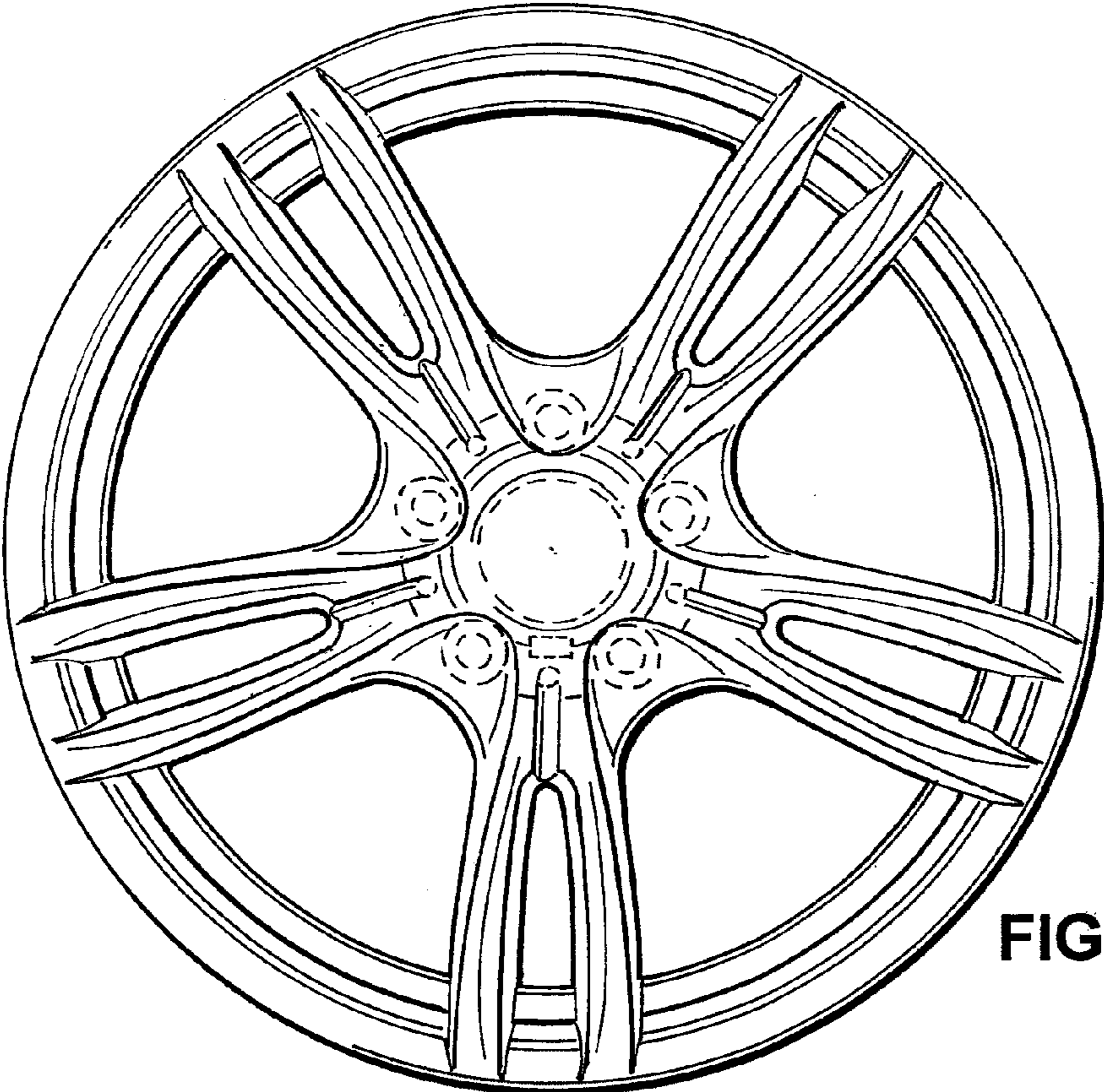


FIG. 1

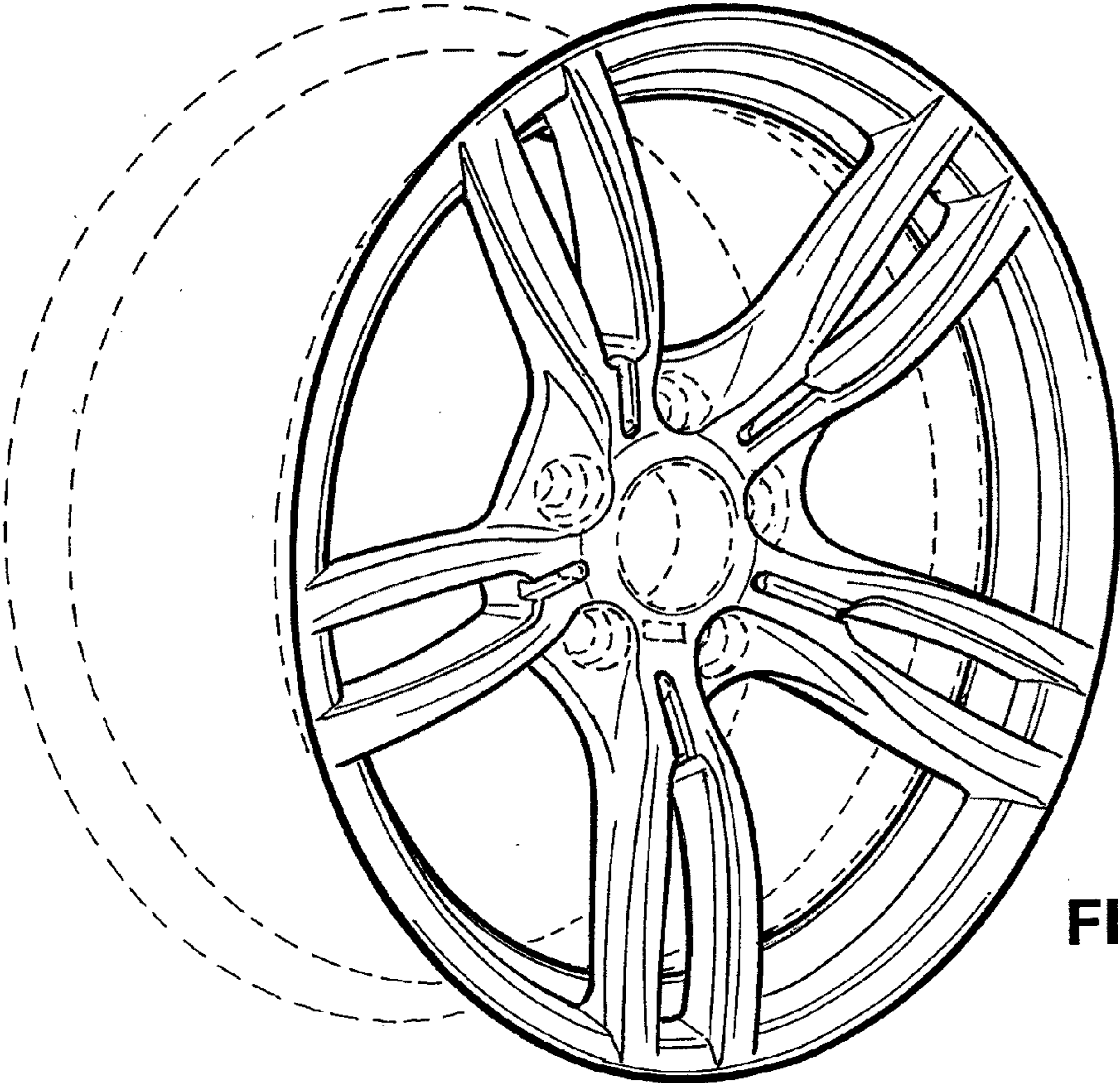


FIG. 2