



US00D651545S

(12) **United States Design Patent**
Kudo et al.

(10) **Patent No.:** **US D651,545 S**
(45) **Date of Patent:** **** Jan. 3, 2012**

(54) **FRONT COWL FOR MOTORCYCLE**

(75) Inventors: **Kazuhiro Kudo**, Saitama-ken (JP);
Kanya Takigawa, Saitama-ken (JP);
Teofilo Plaza, Rome (IT)

(73) Assignee: **Honda Motor Co., Ltd.**, Tokyo (JP)

(**) Term: **14 Years**

(21) Appl. No.: **29/387,758**

(22) Filed: **Mar. 17, 2011**

(30) **Foreign Application Priority Data**

Sep. 17, 2010 (JP) 2010-022426

(51) **LOC (9) Cl.** **12-11**

(52) **U.S. Cl.** **D12/182**

(58) **Field of Classification Search** D12/110,
D12/126, 182, 186, 114, 181, 184; 180/219,
180/220; 296/77.1, 78.1, 180.1, 192, 193.01,
296/193.05, 193.09; 280/160.1, 152.1-152.3,
280/847, 848, 851, 852, 288.4

See application file for complete search history.

(56) **References Cited**

U.S. PATENT DOCUMENTS

D266,159 S * 9/1982 Johnson et al. D12/182
D285,428 S * 9/1986 Cline D12/182
D597,458 S * 8/2009 Takigawa et al. D12/182

OTHER PUBLICATIONS

2009 J & P Cycles Parts & Accessories for Your Harley-Davidson®
Motorcycle, Dragon Wing Air Deflectors and Freedom Wing Air
Deflectors on p. 745.*

* cited by examiner

Primary Examiner — Susan M Lee

Assistant Examiner — Linda G. Brooks

(74) *Attorney, Agent, or Firm* — Westerman, Hattori,
Daniels & Adrian, LLP

(57) **CLAIM**

The ornamental design for a front cowl for motorcycle, as
shown and described.

DESCRIPTION

FIG. 1 is a perspective view from the right side of a front cowl
for motorcycle;

FIG. 2 is a perspective view from the left side thereof;

FIG. 3 is a perspective view from the right side thereof;

FIG. 4 is a perspective view from the left side thereof;

FIG. 5 is a front elevation view thereof;

FIG. 6 is a rear elevation view thereof;

FIG. 7 is a right side elevation view thereof;

FIG. 8 is a left side elevation view thereof;

FIG. 9 is a top plan view thereof; and,

FIG. 10 is a bottom plan view thereof.

The broken lines illustrate environmental structure only and
form no part of the claimed design.

1 Claim, 10 Drawing Sheets

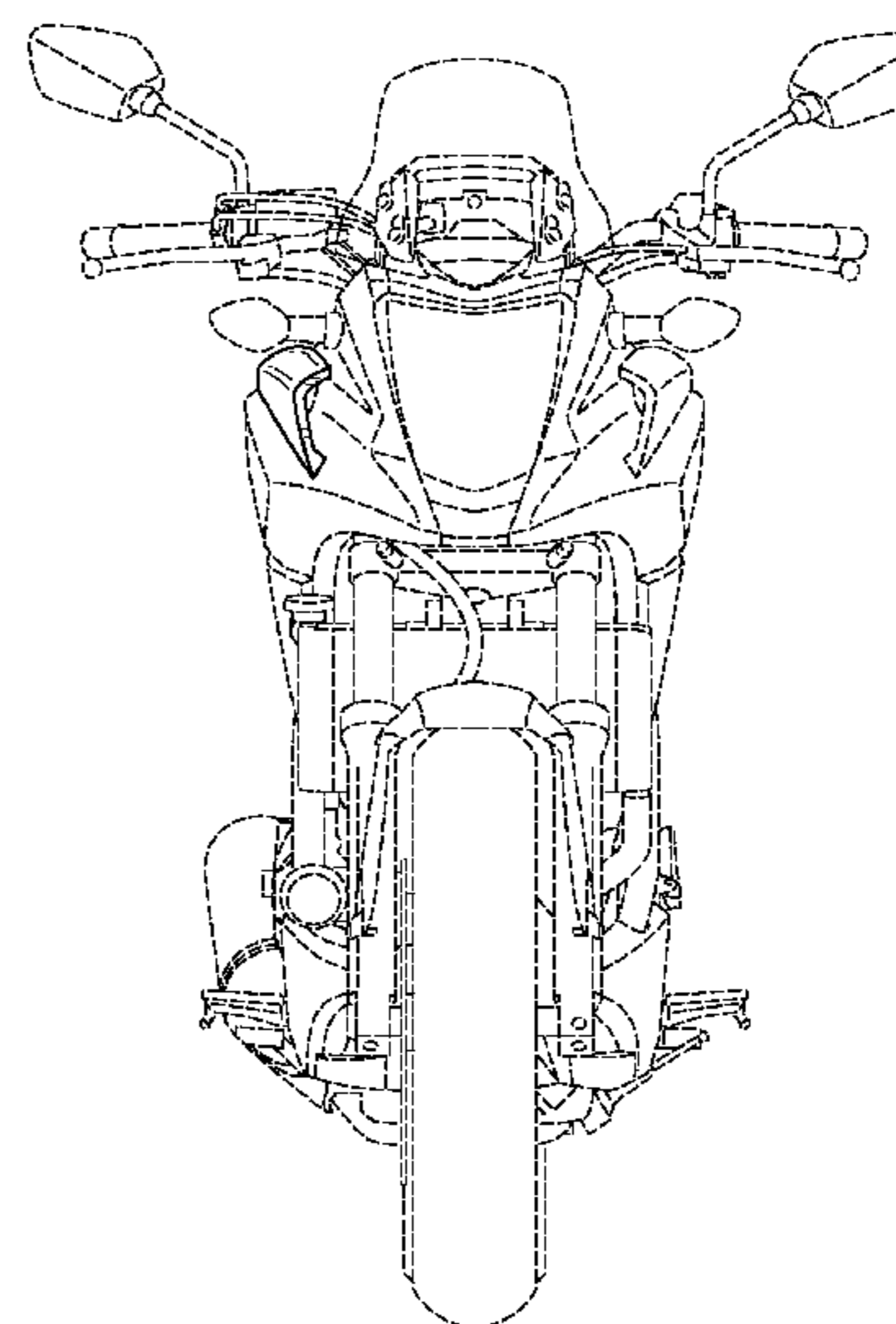
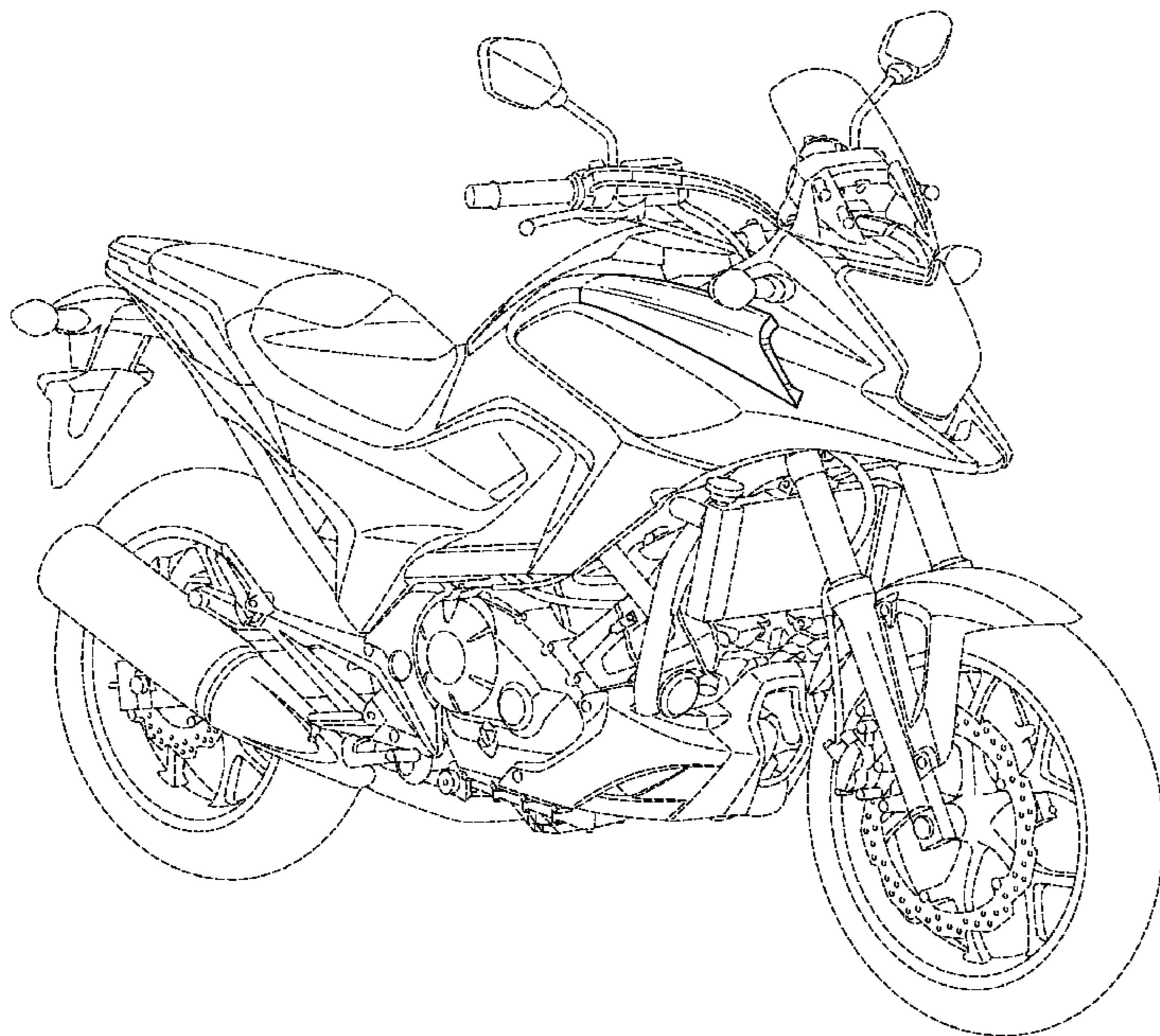


FIG. 1

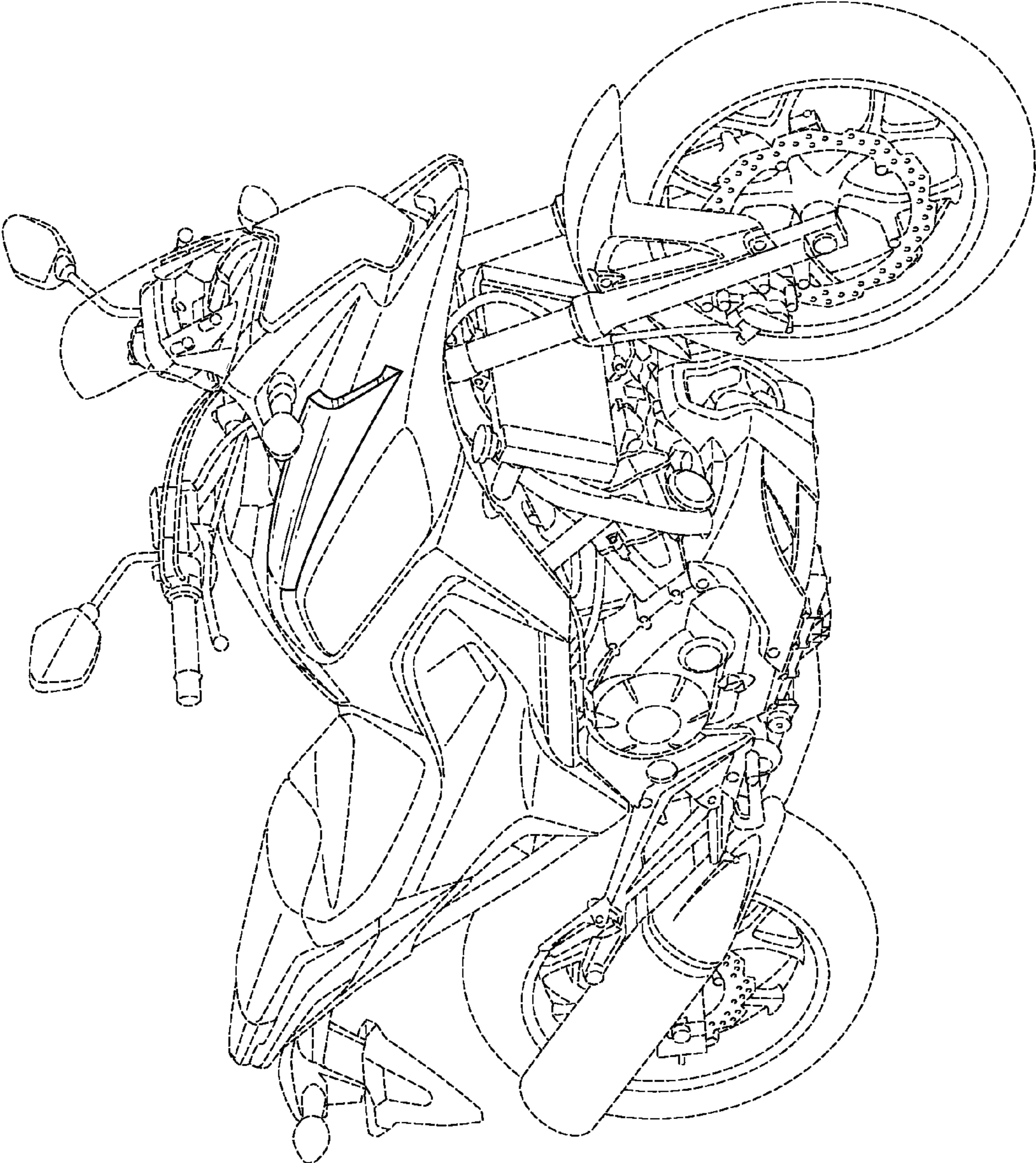


FIG. 2

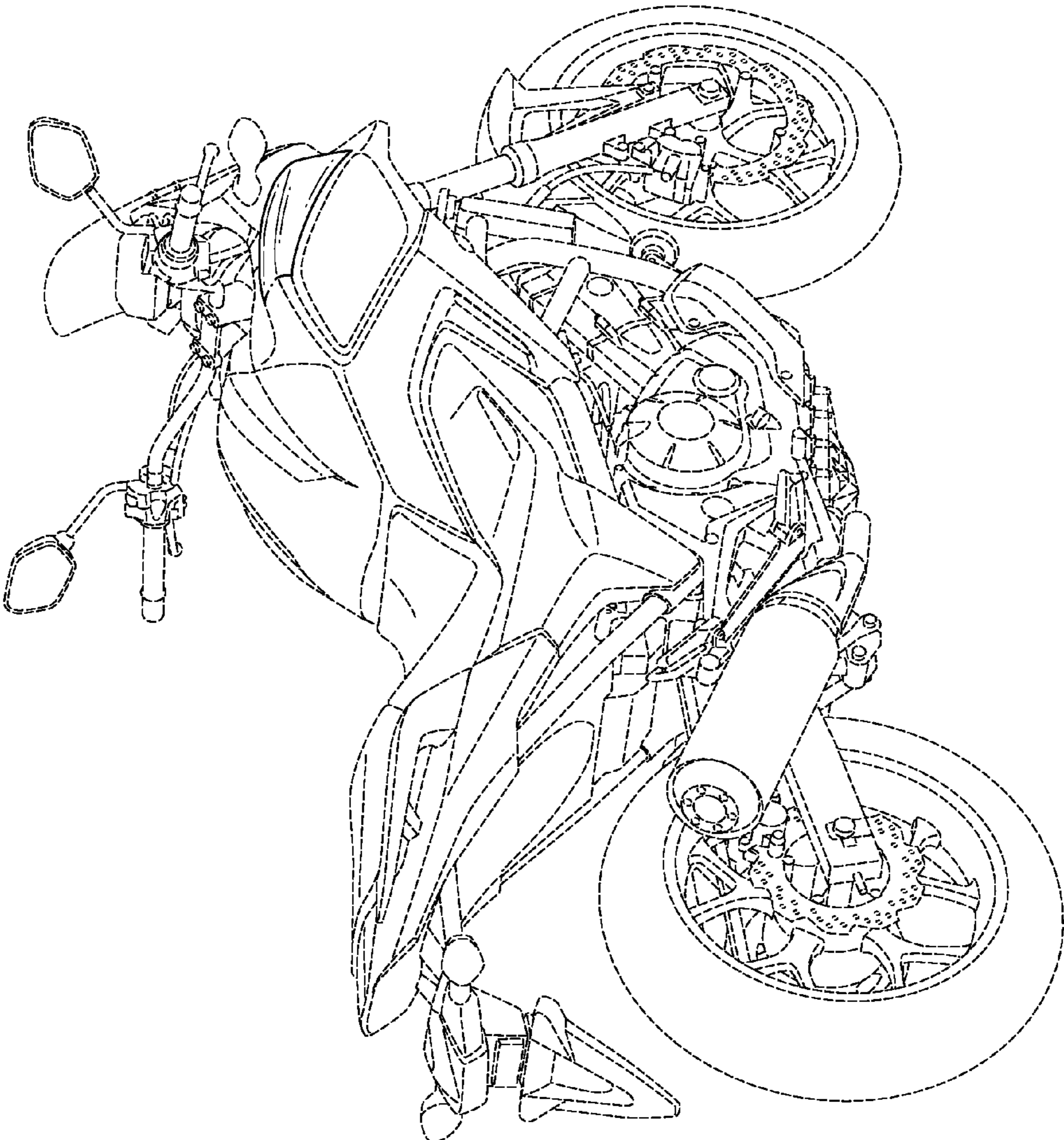


FIG. 3

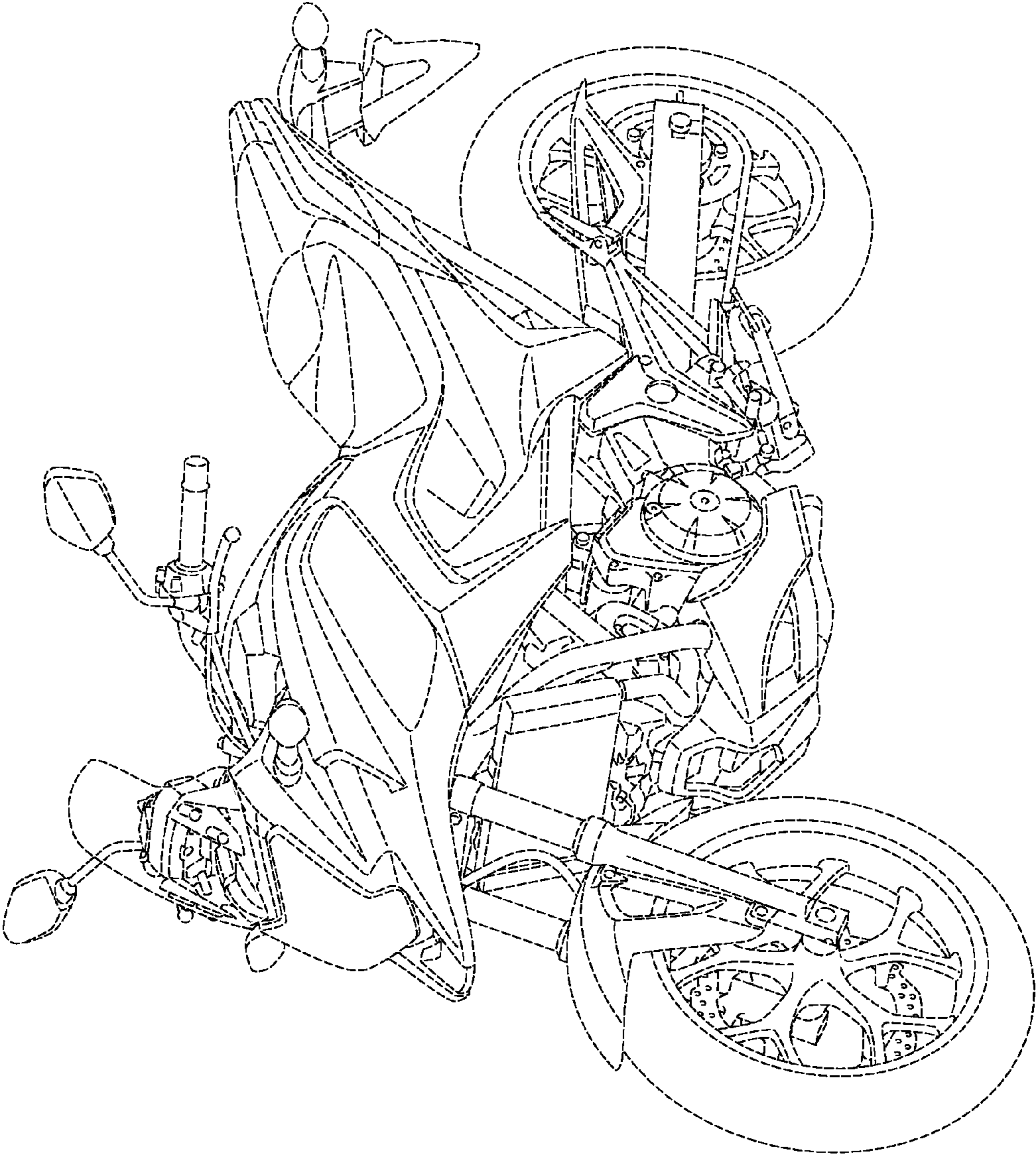


FIG. 4

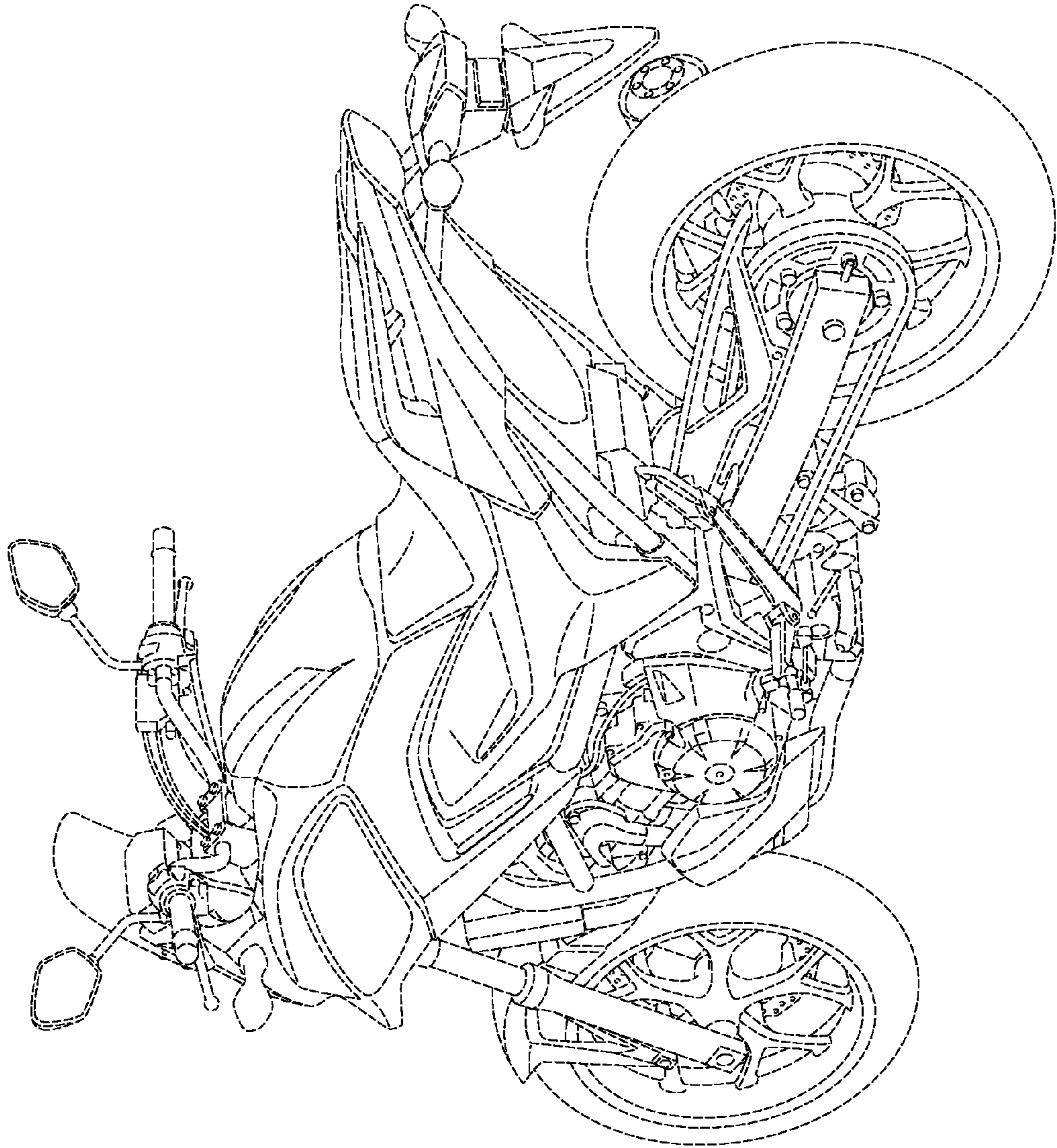


FIG. 5

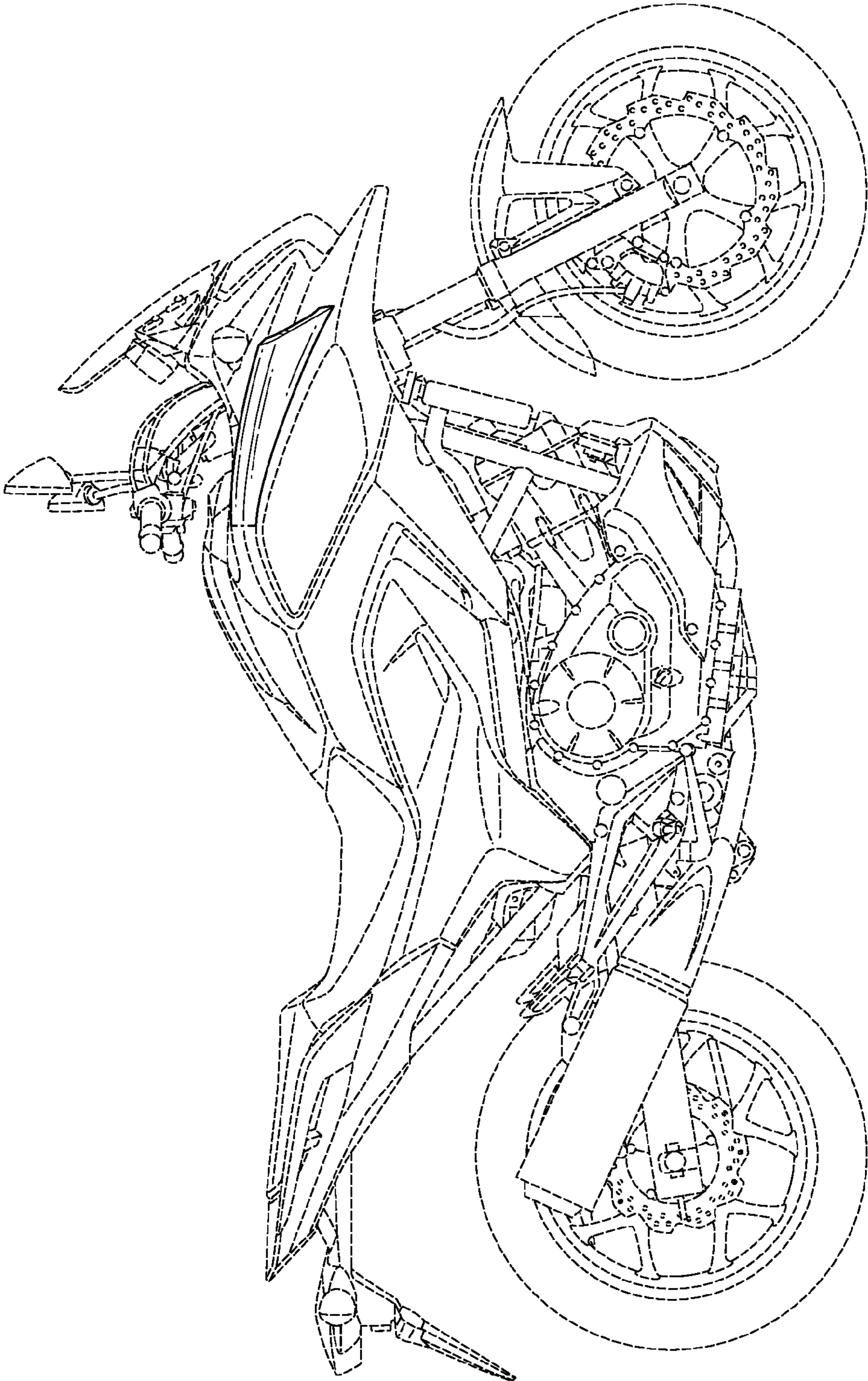


FIG. 6

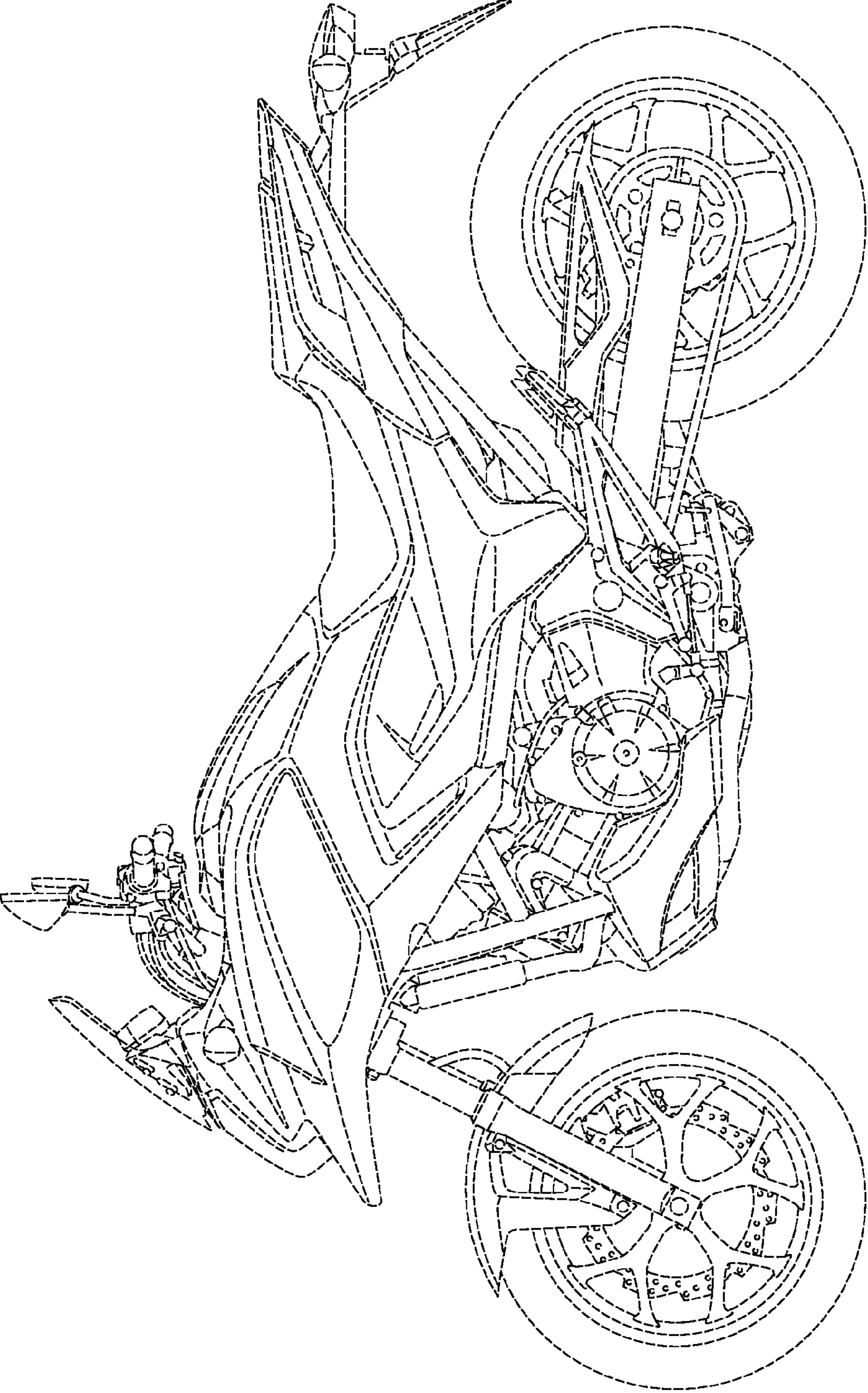


FIG. 7

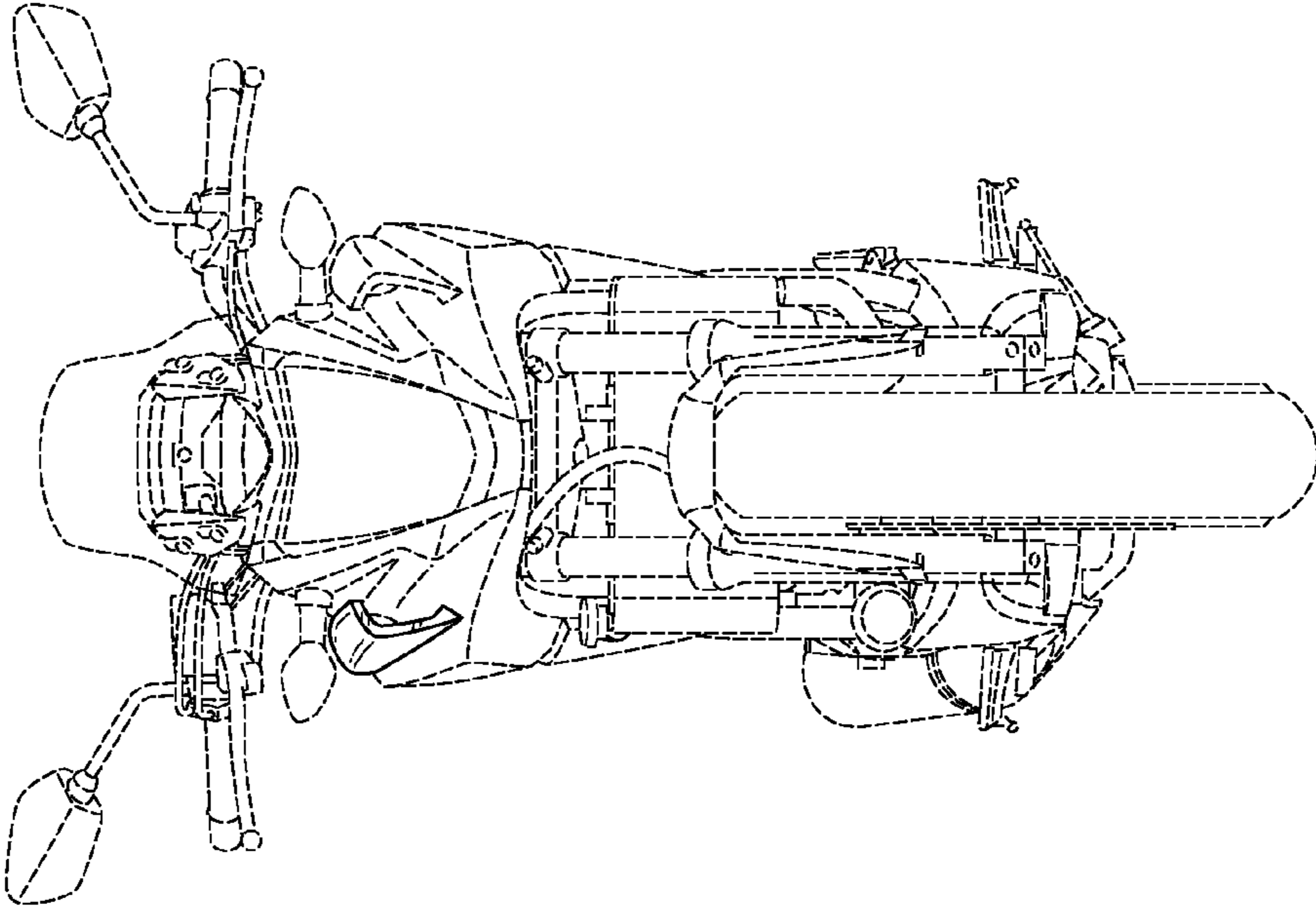


FIG. 8

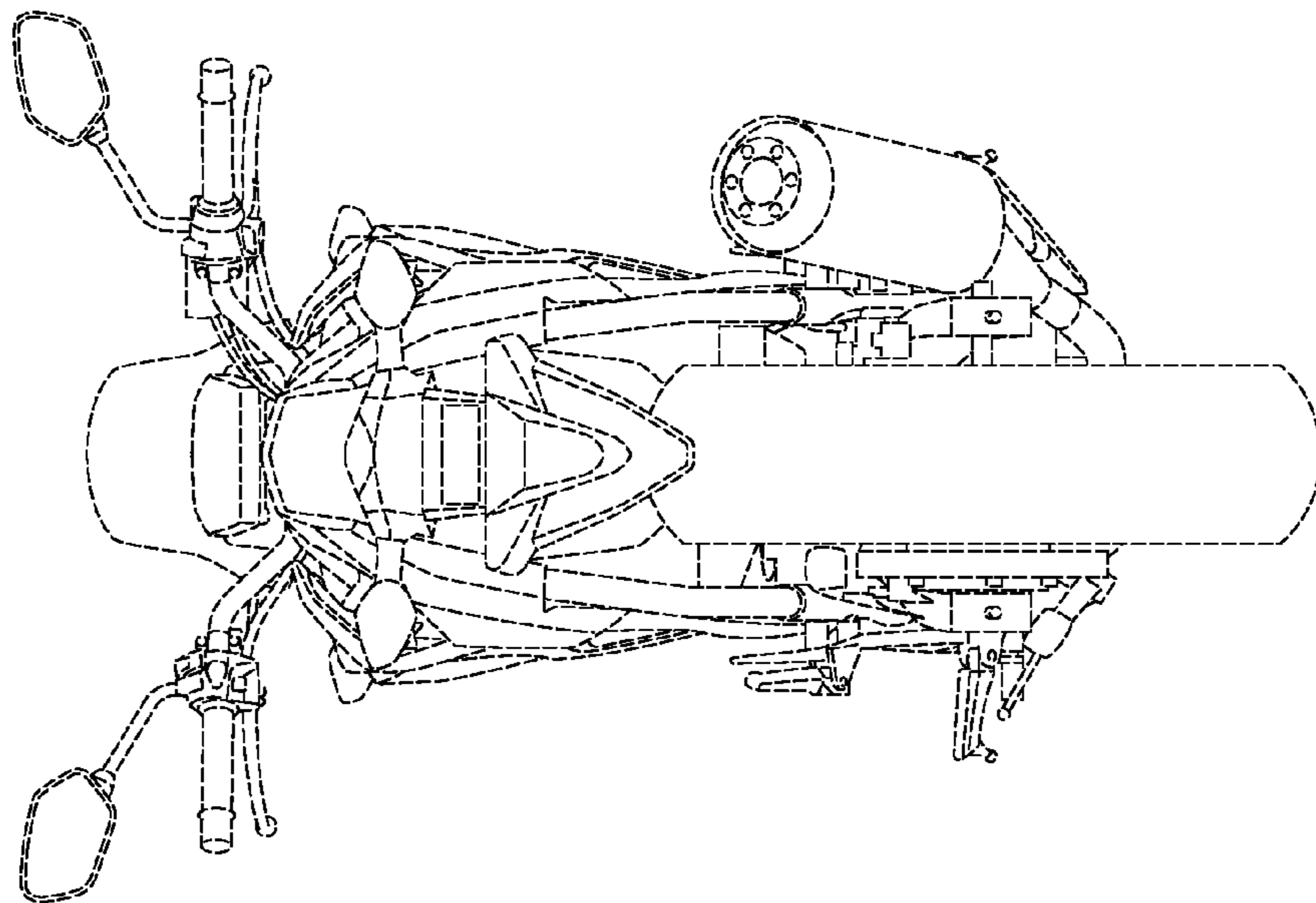


FIG. 9

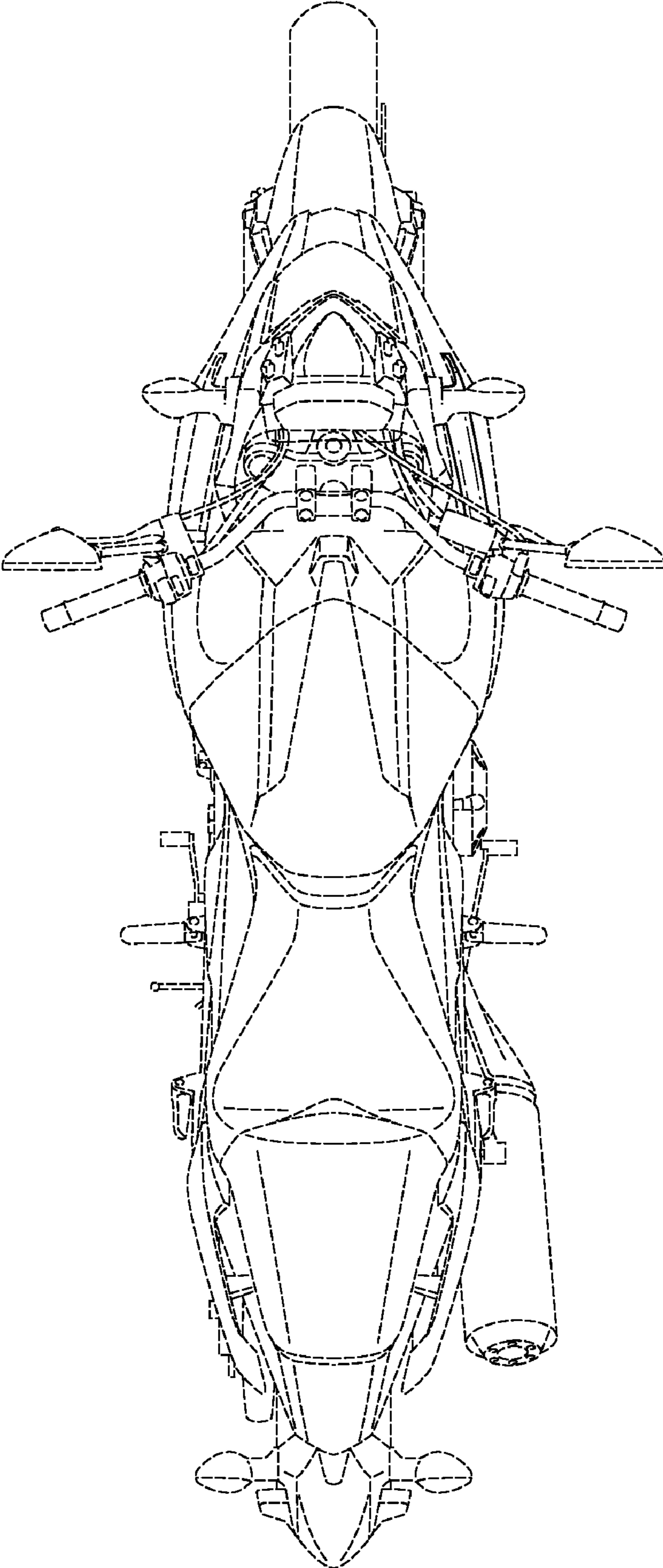


FIG. 10

