



US00D651543S

(12) **United States Design Patent**
Ali et al.

(10) **Patent No.:** **US D651,543 S**
(45) **Date of Patent:** **** Jan. 3, 2012**

(54) **STEERING WHEEL**
(75) Inventors: **Zulfiquar Ali**, Farmington Hills, MI (US); **Steve Sowinski**, Rochester Hills, MI (US); **Joel Baccus**, Shelby Township, MI (US)

D635,069 S * 3/2011 Klein et al. D12/176
D635,900 S * 4/2011 Anzi D12/176
D636,711 S * 4/2011 Anzi D12/176
D637,946 S * 5/2011 Anzi D12/176
D640,619 S * 6/2011 Araki et al. D12/176

* cited by examiner

(73) Assignee: **Chrysler Group LLC**, Auburn Hills, MI (US)

Primary Examiner — Melody N Brown

(74) *Attorney, Agent, or Firm* — Ralph E. Smith

(**) Term: **14 Years**

(57) **CLAIM**

The ornamental design for a steering wheel, as shown and described.

(21) Appl. No.: **29/392,579**

(22) Filed: **May 24, 2011**

DESCRIPTION

(51) **LOC (9) Cl.** **12-16**
(52) **U.S. Cl.** **D12/176**
(58) **Field of Classification Search** D12/175,
D12/176; 74/552, 558, 558.5
See application file for complete search history.

FIG. 1 is a front view of a steering wheel showing our new design;
FIG. 2 is a top perspective view thereof;
FIG. 3 is a back perspective view thereof the opposite side being a mirror image; and,
FIG. 4 is a side view thereof.

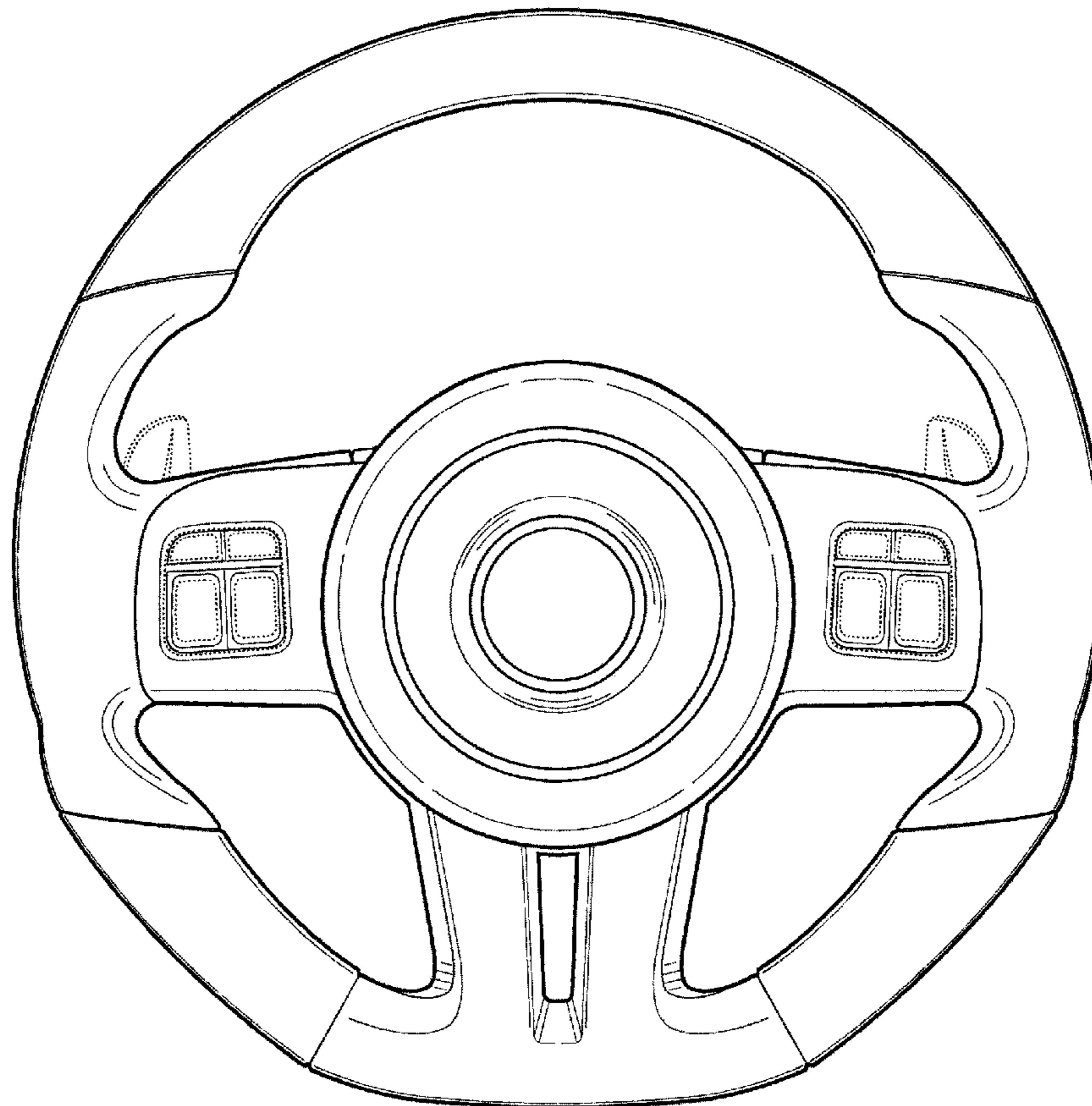
It will be understood that the broken lines presented in the drawings are for illustration only, and do not form a part of the claimed design.

(56) **References Cited**

U.S. PATENT DOCUMENTS

D597,455 S * 8/2009 Pohanka D12/176
D626,478 S * 11/2010 Stephenson D12/176
D627,693 S * 11/2010 Pohanka D12/176

1 Claim, 4 Drawing Sheets



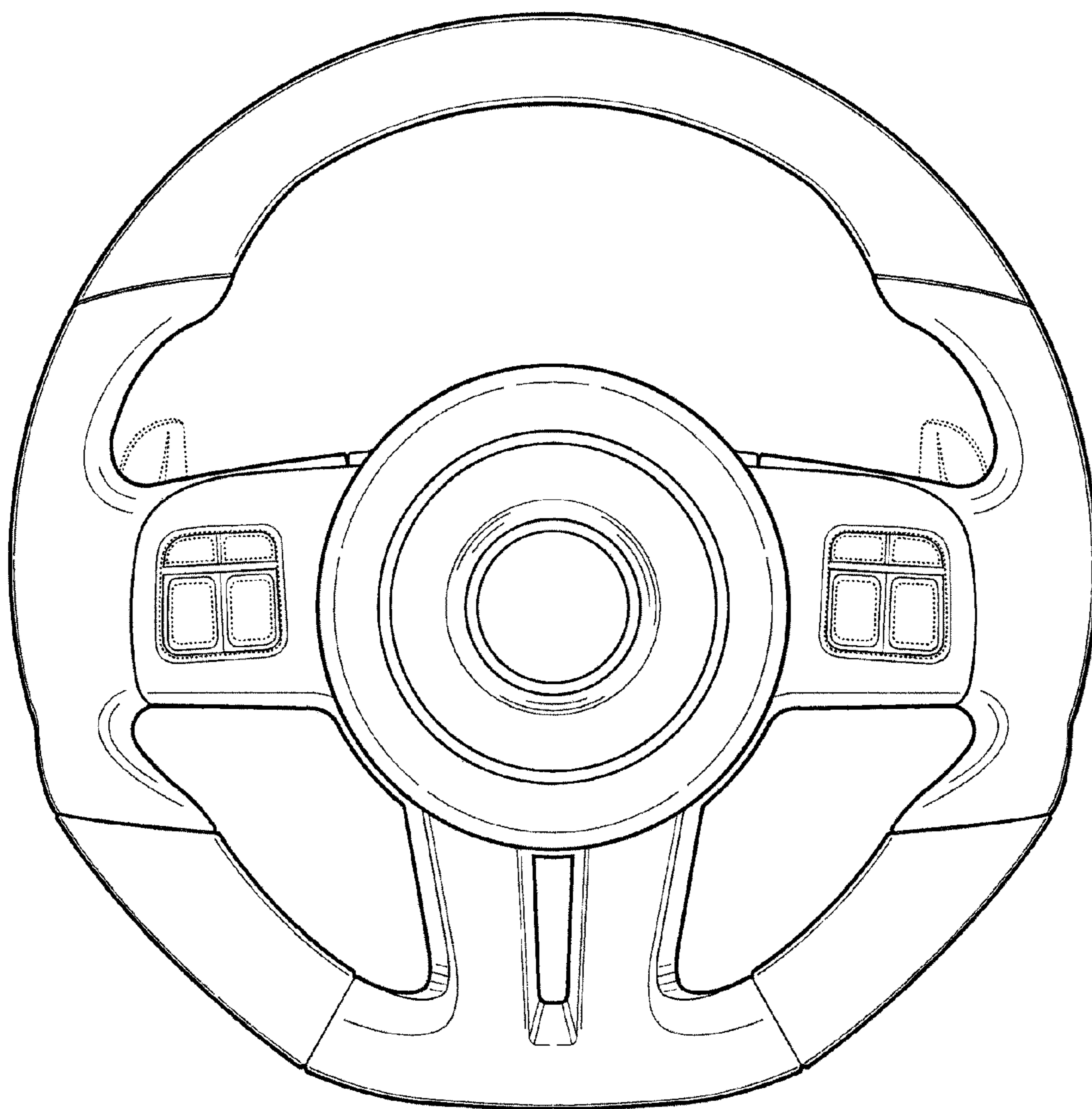


FIG. 1

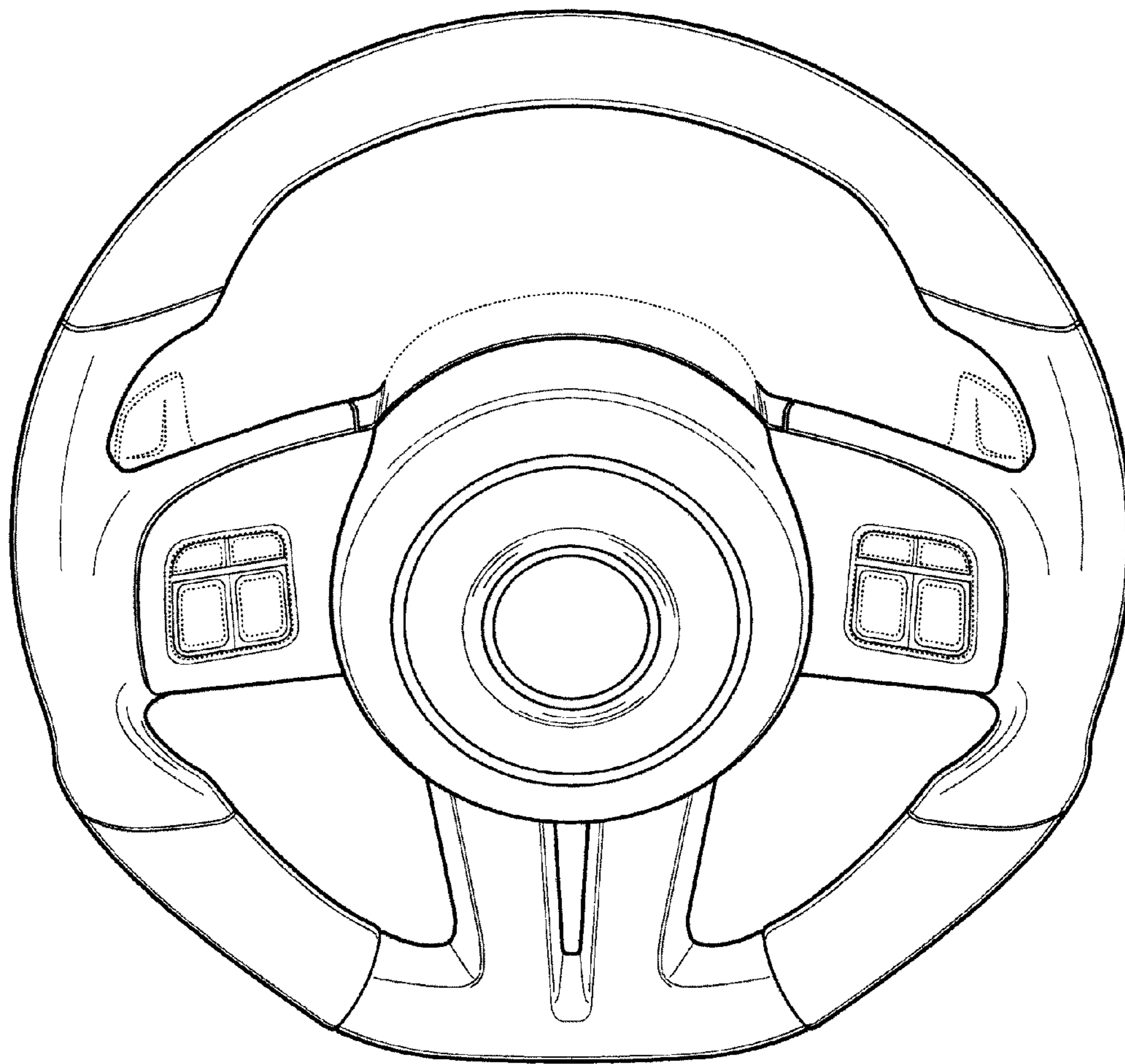


FIG. 2

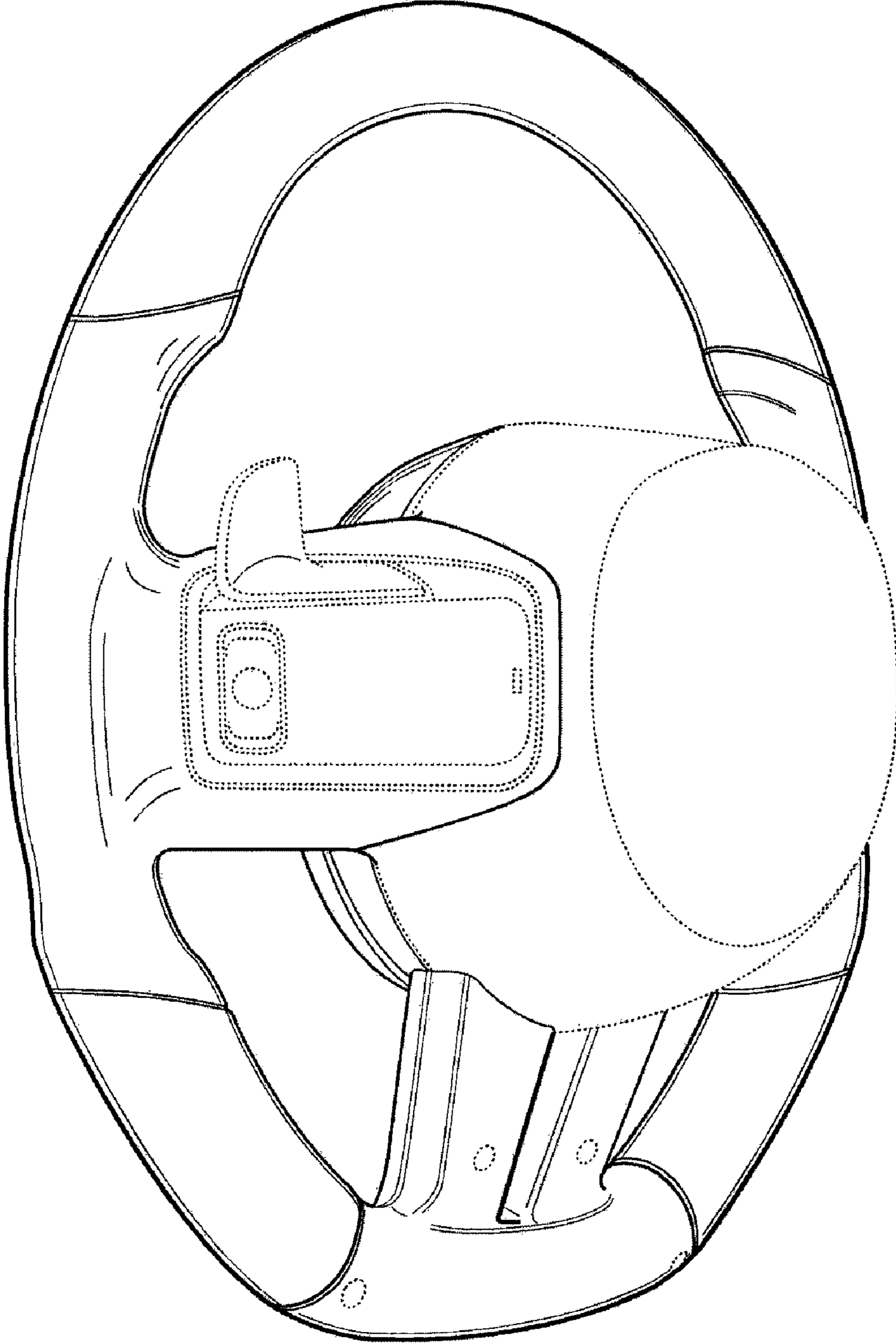


FIG. 3

FIG. 4

