



US00D651534S

(12) **United States Design Patent**
Okuyama et al.

(10) **Patent No.:** **US D651,534 S**

(45) **Date of Patent:** **** Jan. 3, 2012**

(54) **COVER FOR AN INDICATOR LAMP**

(76) Inventors: **Kiyoyuki Okuyama**, Tokyo (JP);
Tomohisa Yamazaki, Aichi Pref. (JP);
Makoto Tanahashi, Aichi Pref. (JP);
Isao Adachi, Aichi Pref. (JP)

(**) Term: **14 Years**

(21) Appl. No.: **29/379,965**

(22) Filed: **Nov. 29, 2010**

(30) **Foreign Application Priority Data**

Jul. 5, 2010 (JP) 2010-016328

(51) **LOC (9) Cl.** **10-05**

(52) **U.S. Cl.** **D10/114.1**

(58) **Field of Classification Search** D10/111,
D10/113.1, 114.1-114.2, 114.9, 109.1, 114.8;
D26/85, 37, 39; 404/14; 362/157; D9/432,
D9/416, 414; 53/429

See application file for complete search history.

(56) **References Cited**

U.S. PATENT DOCUMENTS

D230,091 S * 1/1974 Redstone D10/114.1

D242,236 S * 11/1976 Quinn D10/114.1
D381,901 S * 8/1997 Alig et al. D9/414
6,643,993 B2 * 11/2003 O'Connor 53/429
D486,731 S * 2/2004 Meeker et al. D9/416
D552,470 S * 10/2007 Kawaguchi et al. D9/432

* cited by examiner

Primary Examiner — George D Kirschbaum

(57) **CLAIM**

The ornamental design for a cover for an indicator lamp, as shown.

DESCRIPTION

FIG. 1 is a perspective view of a cover for an indicator lamp showing our new design;

FIG. 2 is a front view thereof, the rear view being identical to FIG. 2;

FIG. 3 is a top plan view thereof;

FIG. 4 is a bottom plan view thereof; and,

FIG. 5 is a right side view thereof, the left side view being identical to FIG. 5.

The broken lines depict unclaimed environmental subject matter. The fine discontinuous lines in the drawings are not a pattern.

1 Claim, 3 Drawing Sheets

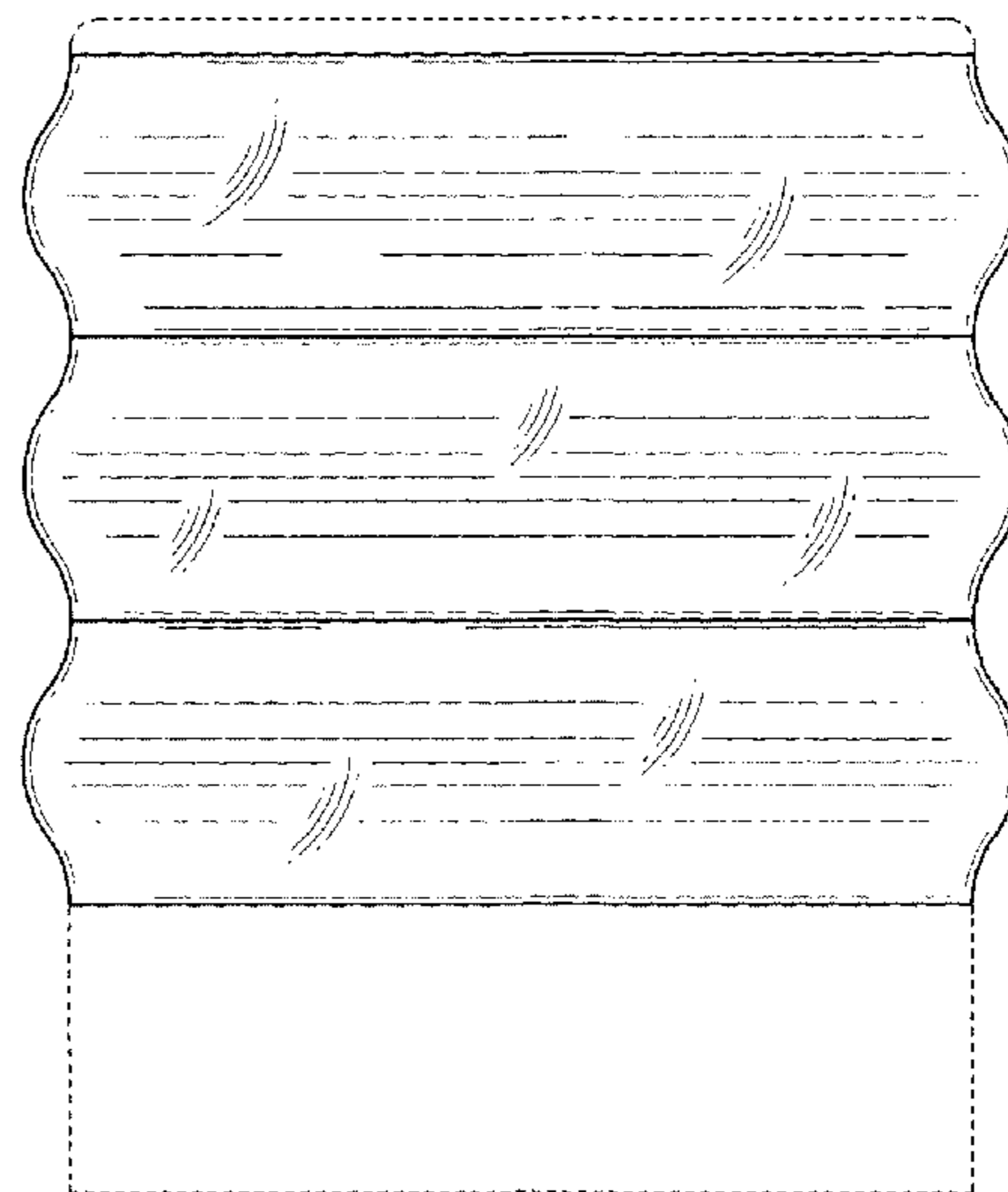
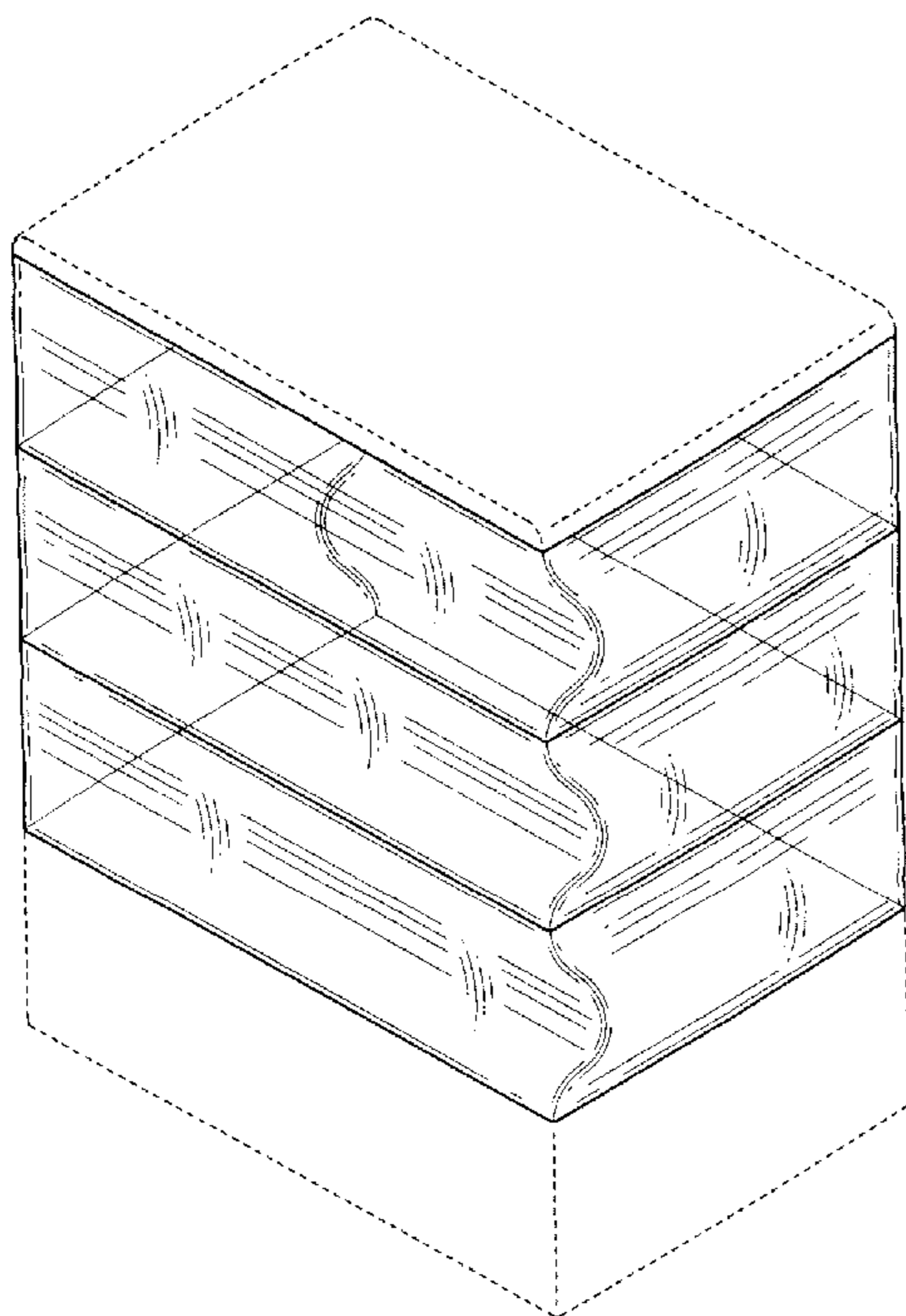


Fig. 1

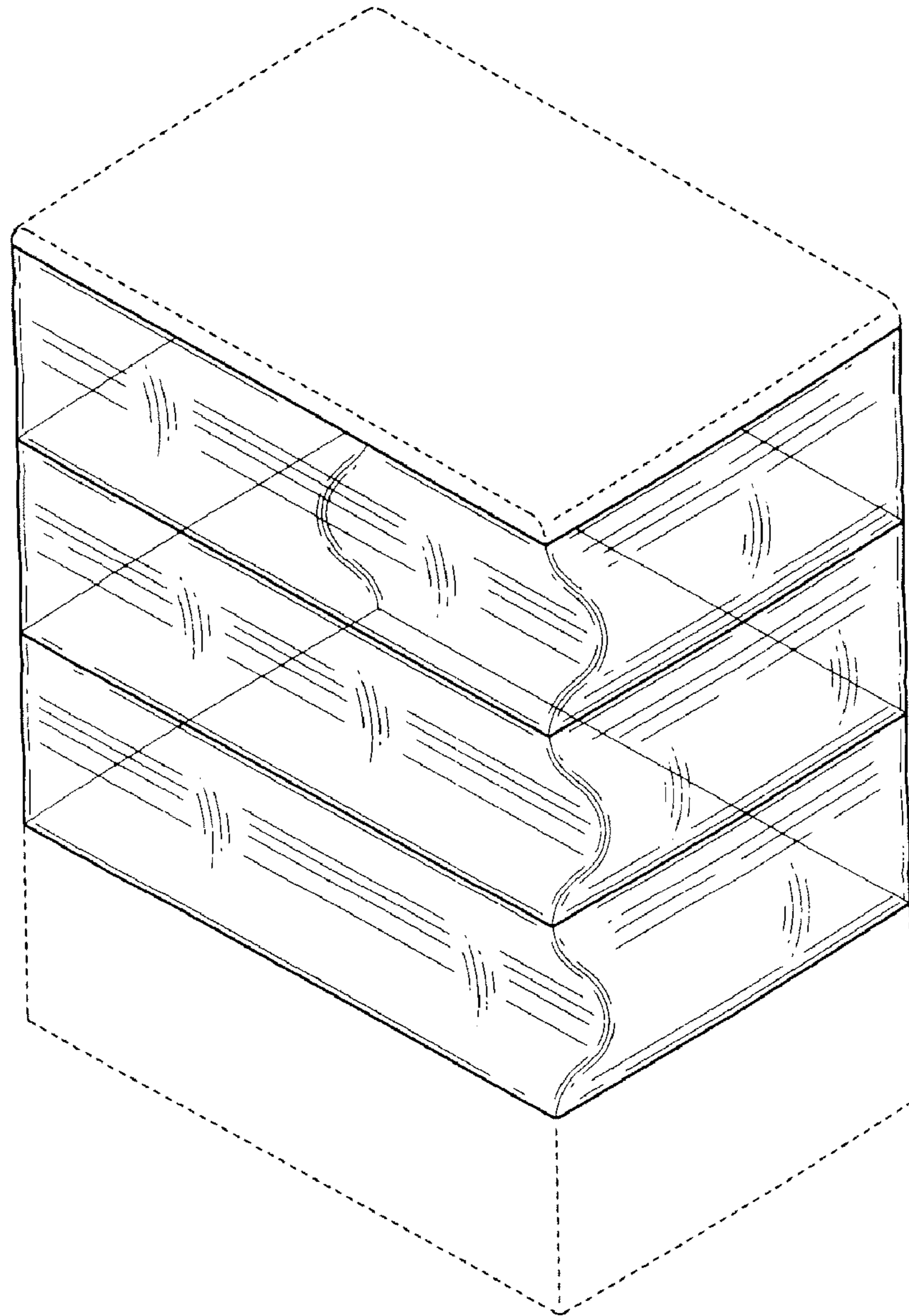


Fig. 2

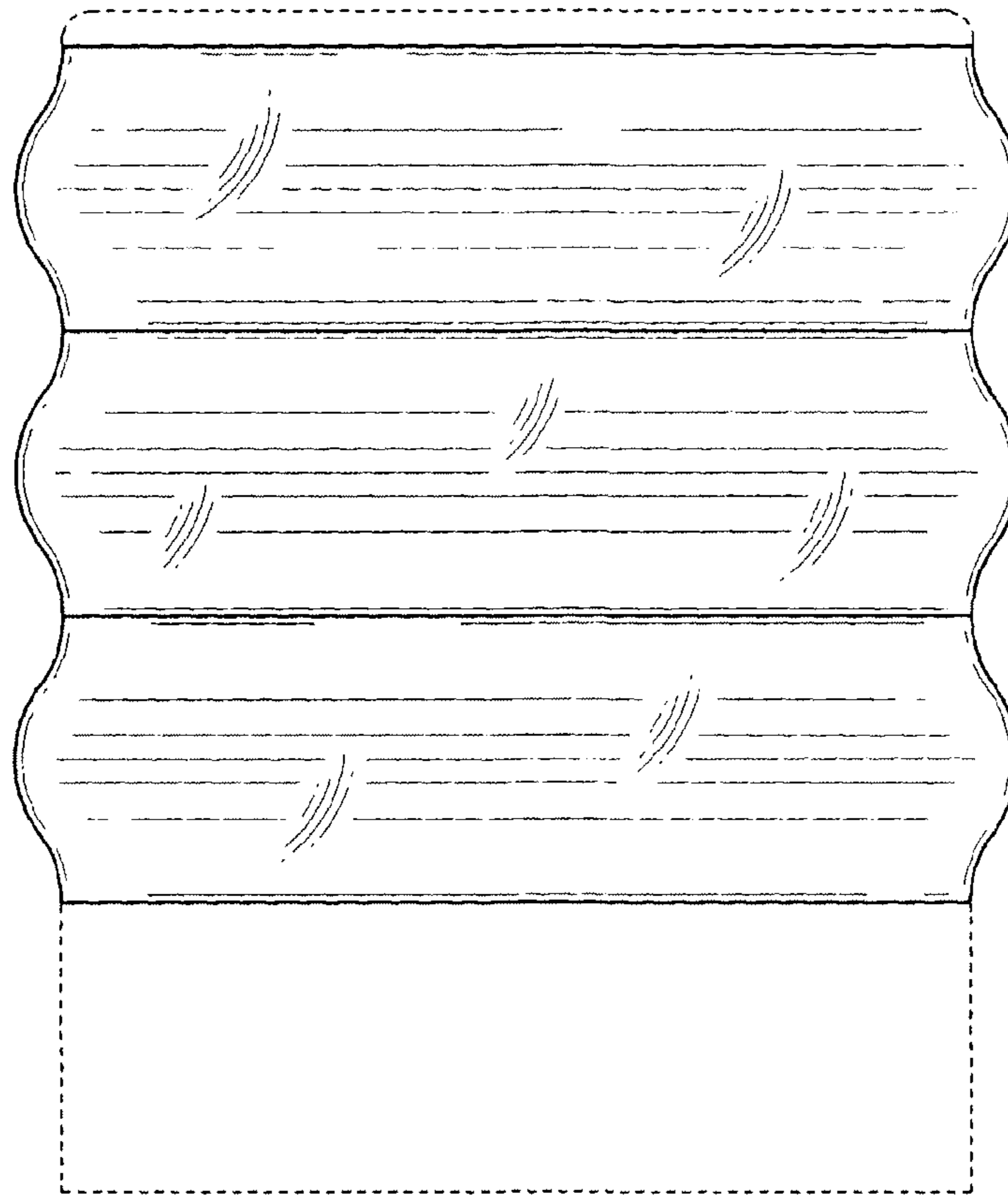


Fig. 3

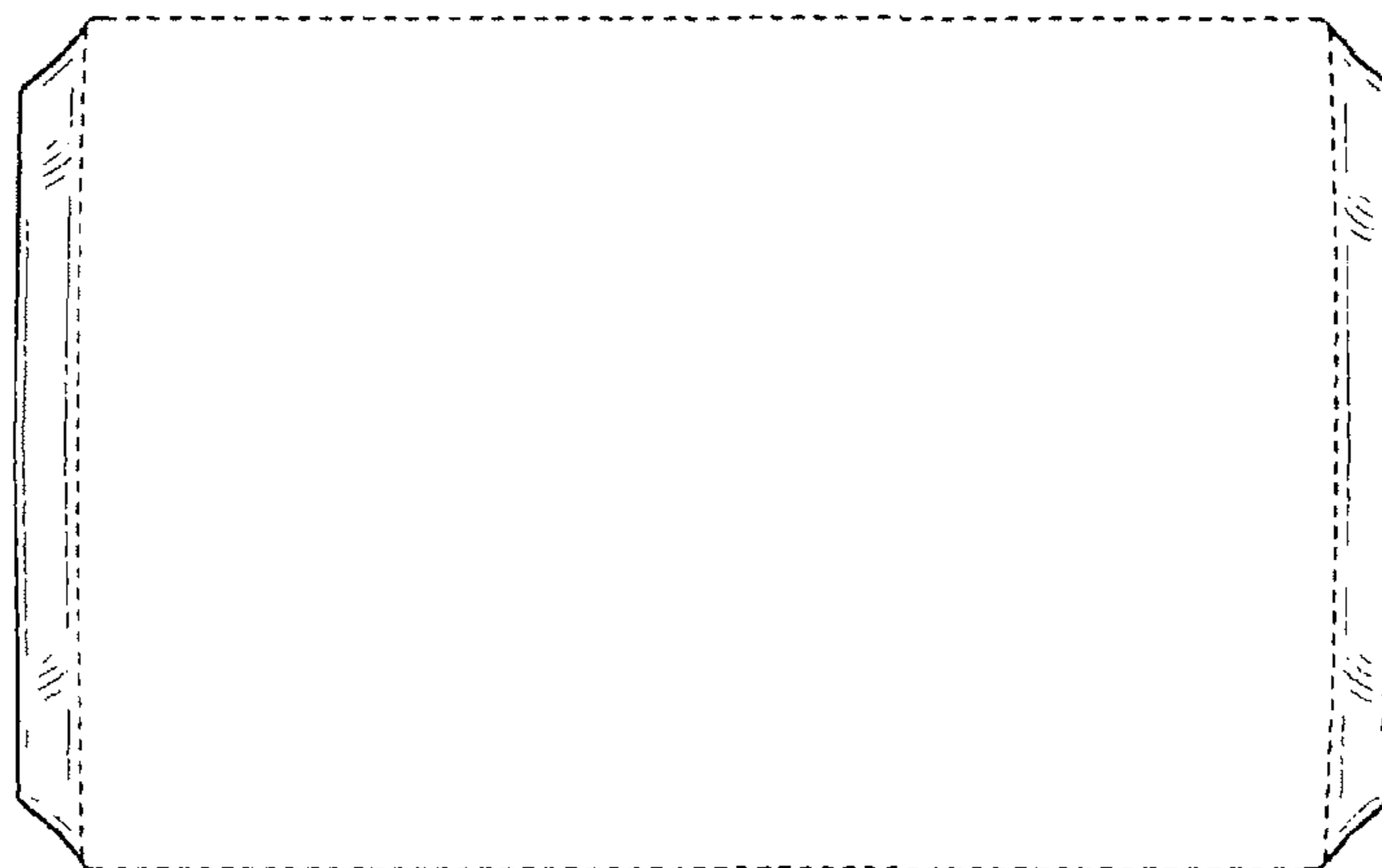


Fig. 4

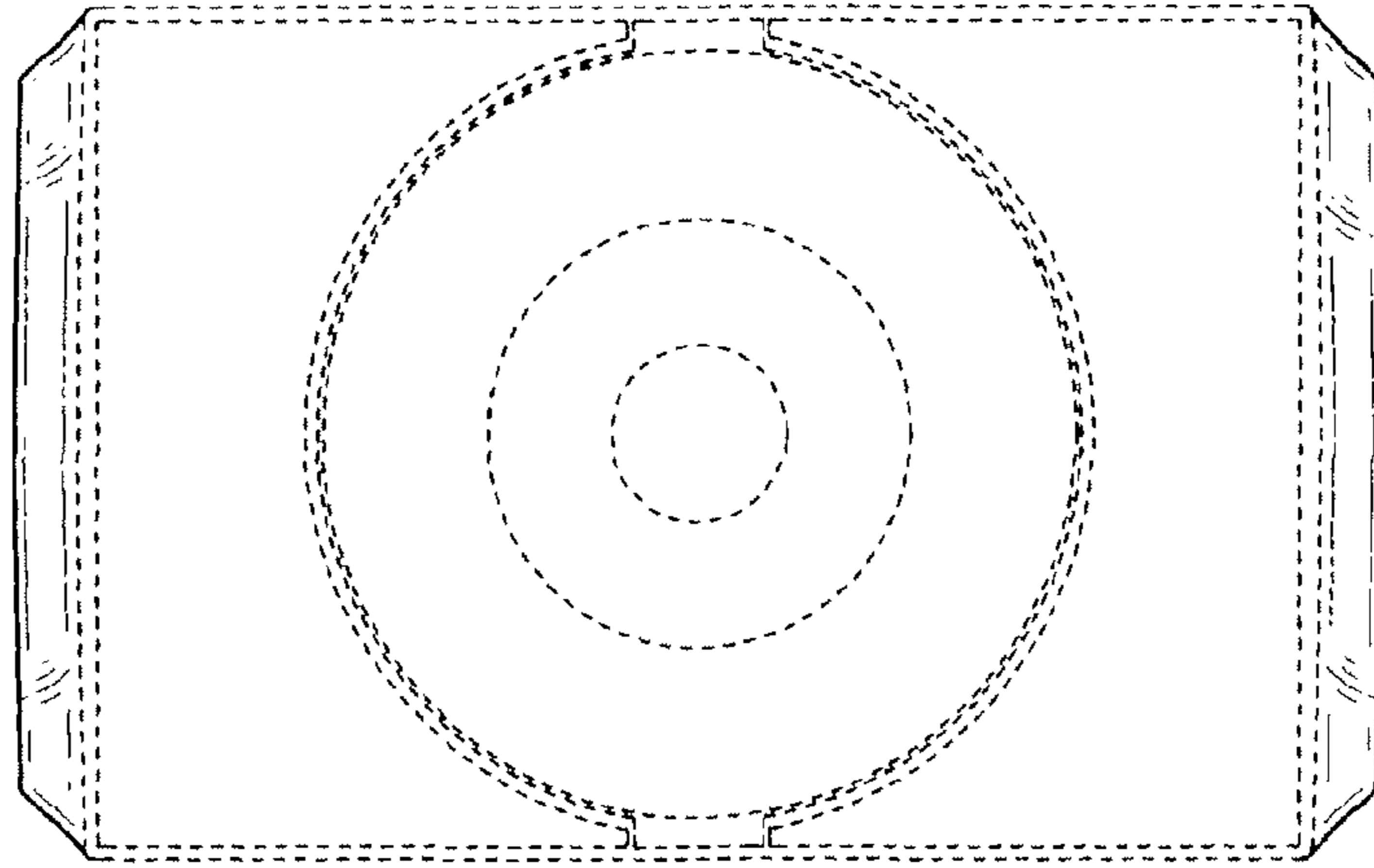
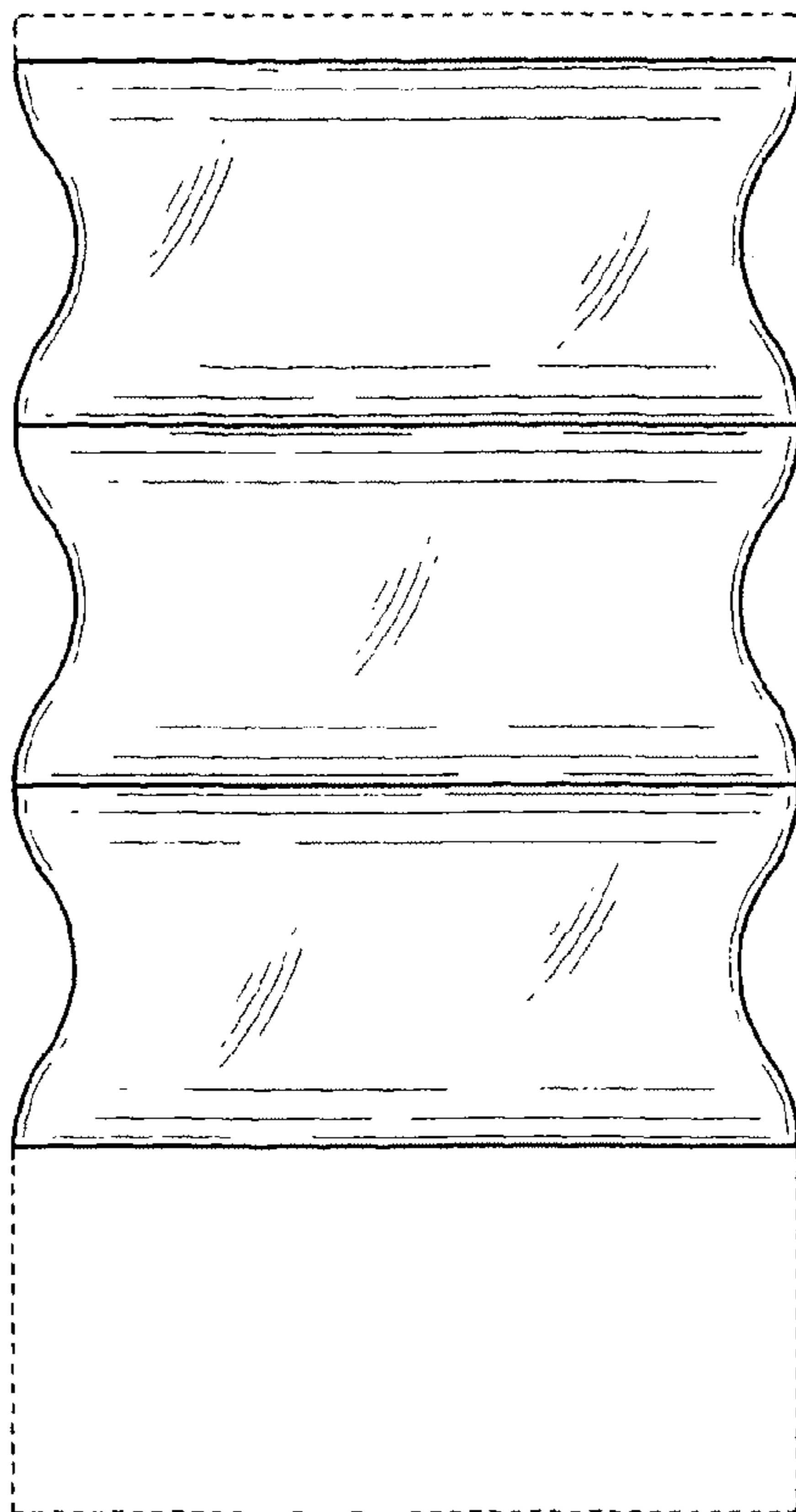


Fig. 5



UNITED STATES PATENT AND TRADEMARK OFFICE
CERTIFICATE OF CORRECTION

PATENT NO. : D651,534 S
APPLICATION NO. : 29/379965
DATED : January 3, 2012
INVENTOR(S) : Kiyoyuki Okuyama

Page 1 of 1

It is certified that error appears in the above-identified patent and that said Letters Patent is hereby corrected as shown below:

Title Page, please include the Assignee information as follows:

-- (73) Assignee: Yamazaki Mazak Corporation, Aichi Pref., JAPAN --

Signed and Sealed this
First Day of May, 2012

A handwritten signature in black ink that reads "David J. Kappos". The signature is written in a cursive, slightly slanted style.

David J. Kappos
Director of the United States Patent and Trademark Office