

US00D651533S

(12) **United States Design Patent**
Chase et al.

(10) **Patent No.:** **US D651,533 S**
(45) **Date of Patent:** **** Jan. 3, 2012**

(54) **FIXED RATIO METERING SYSTEM**

(75) Inventors: **Daniel J. Chase**, Wadsworth, OH (US);
Thomas R. Fagan, Jr., Tallmadge, OH (US); **Paul Michael Jones**, Austintown, OH (US); **David M. Muckley**, Uniontown, OH (US); **Charles J. Wheeler**, New Philadelphia, OH (US); **Brian L. Allen**, Massillon, OH (US)

(73) Assignee: **Graco Minnesota Inc.**, Minneapolis, MN (US)

(**) Term: **14 Years**

(21) Appl. No.: **29/376,025**

(22) Filed: **Sep. 30, 2010**

(51) **LOC (9) Cl.** **10-04**

(52) **U.S. Cl.** **D10/101; D15/199**

(58) **Field of Classification Search** D10/46, D10/101; D15/199; D23/213, 499; 74/675; 137/99, 567; 222/46, 134, 135, 137, 333

See application file for complete search history.

(56) **References Cited**

U.S. PATENT DOCUMENTS

4,286,732 A * 9/1981 James et al. 222/46

OTHER PUBLICATIONS

Graco Inc., Pages pulled from Fast-Set Material Equipment brochures showing the design of the Reactor H Series and Reactor IP Series units (the current product's predecessor).

* cited by examiner

Primary Examiner — Antoine D Davis

(74) *Attorney, Agent, or Firm* — Douglas B. Farrow

(57) **CLAIM**

The ornamental design for a fixed ratio metering system, as shown and described.

DESCRIPTION

FIG. 1 is a front isometric view of the fixed ratio metering system;

FIG. 2 is a top view thereof;

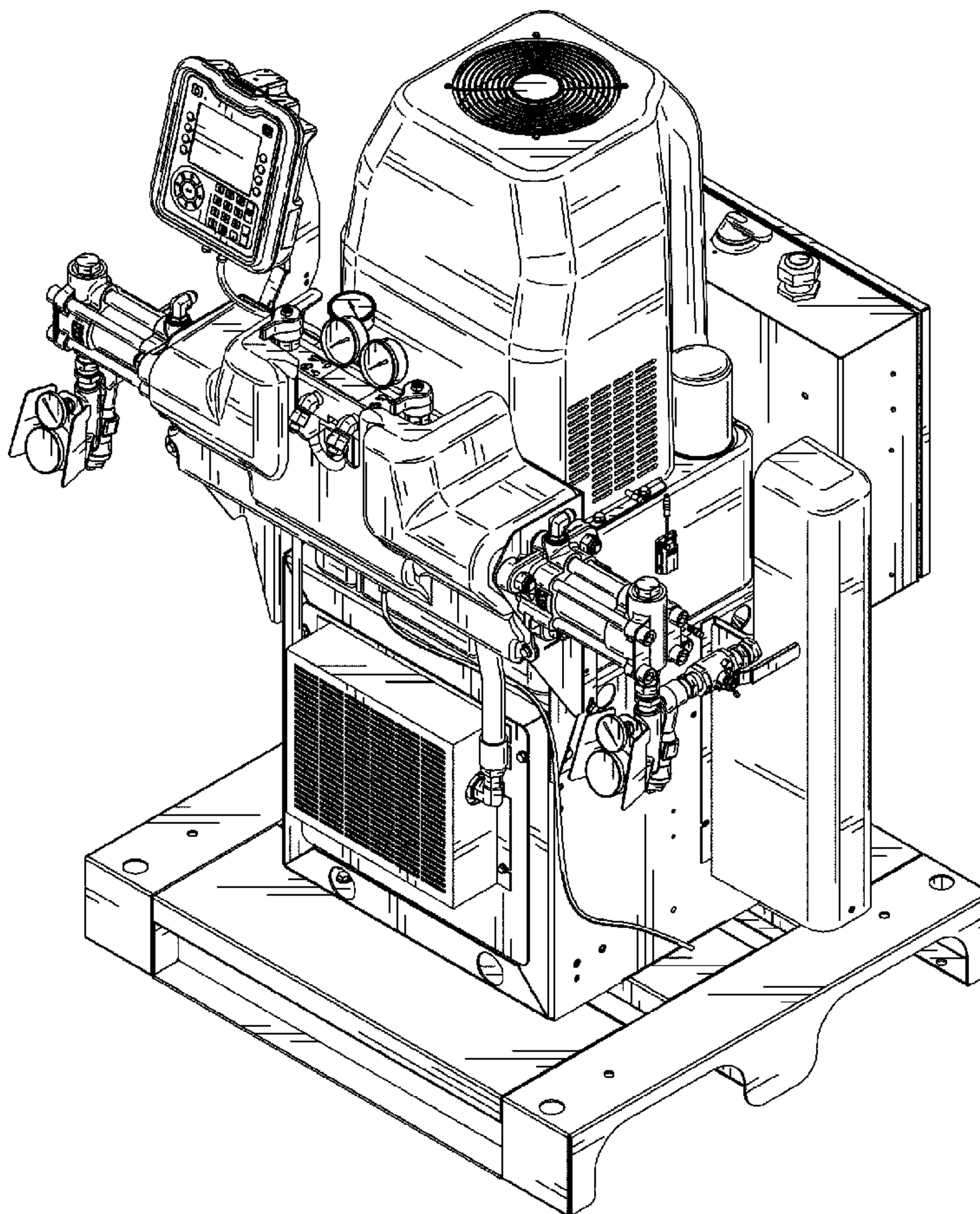
FIG. 3 is a front view thereof;

FIG. 4 is a right side view thereof;

FIG. 5 is a left side view thereof; and,

FIG. 6 is a back view thereof.

1 Claim, 6 Drawing Sheets



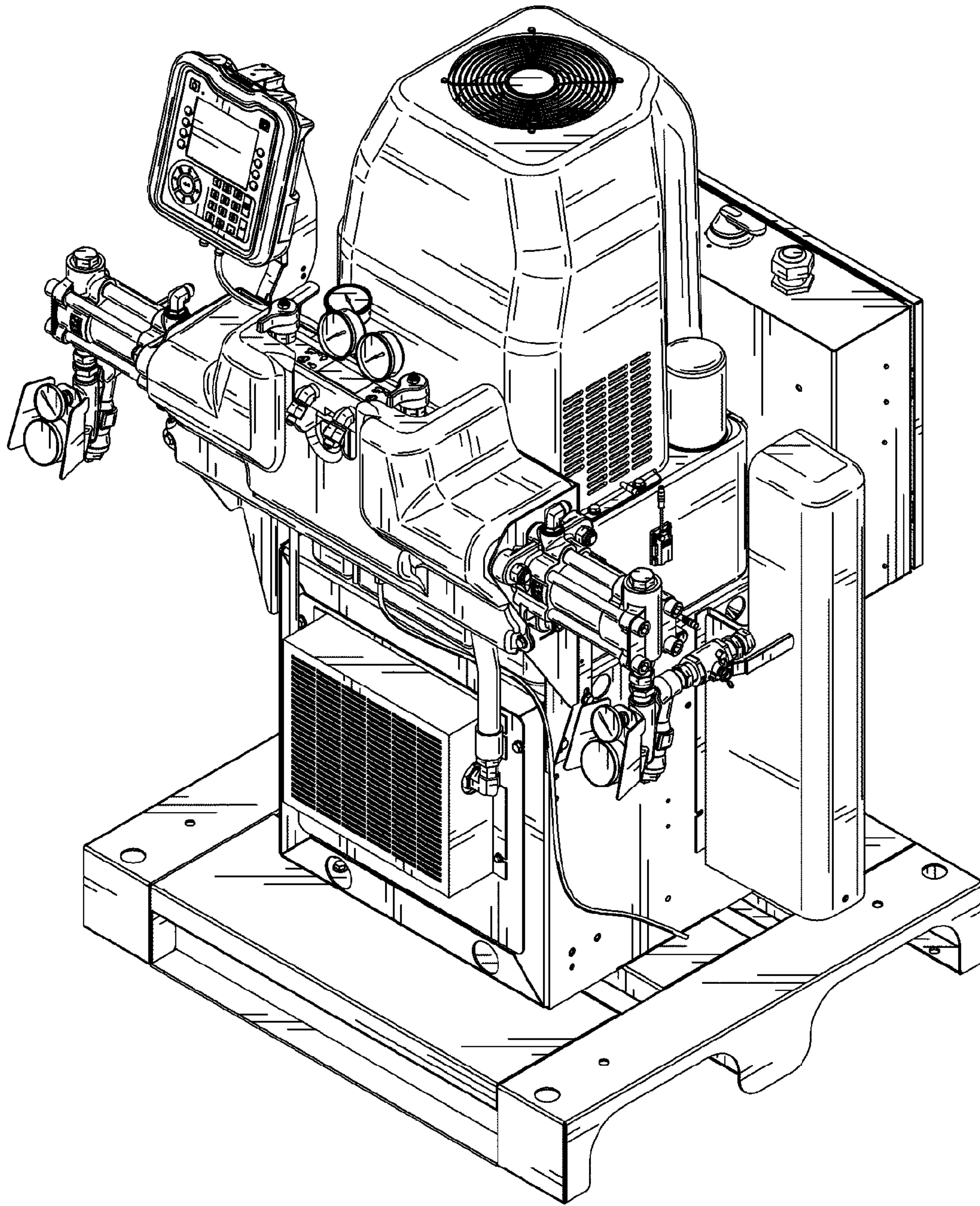


FIG. 1

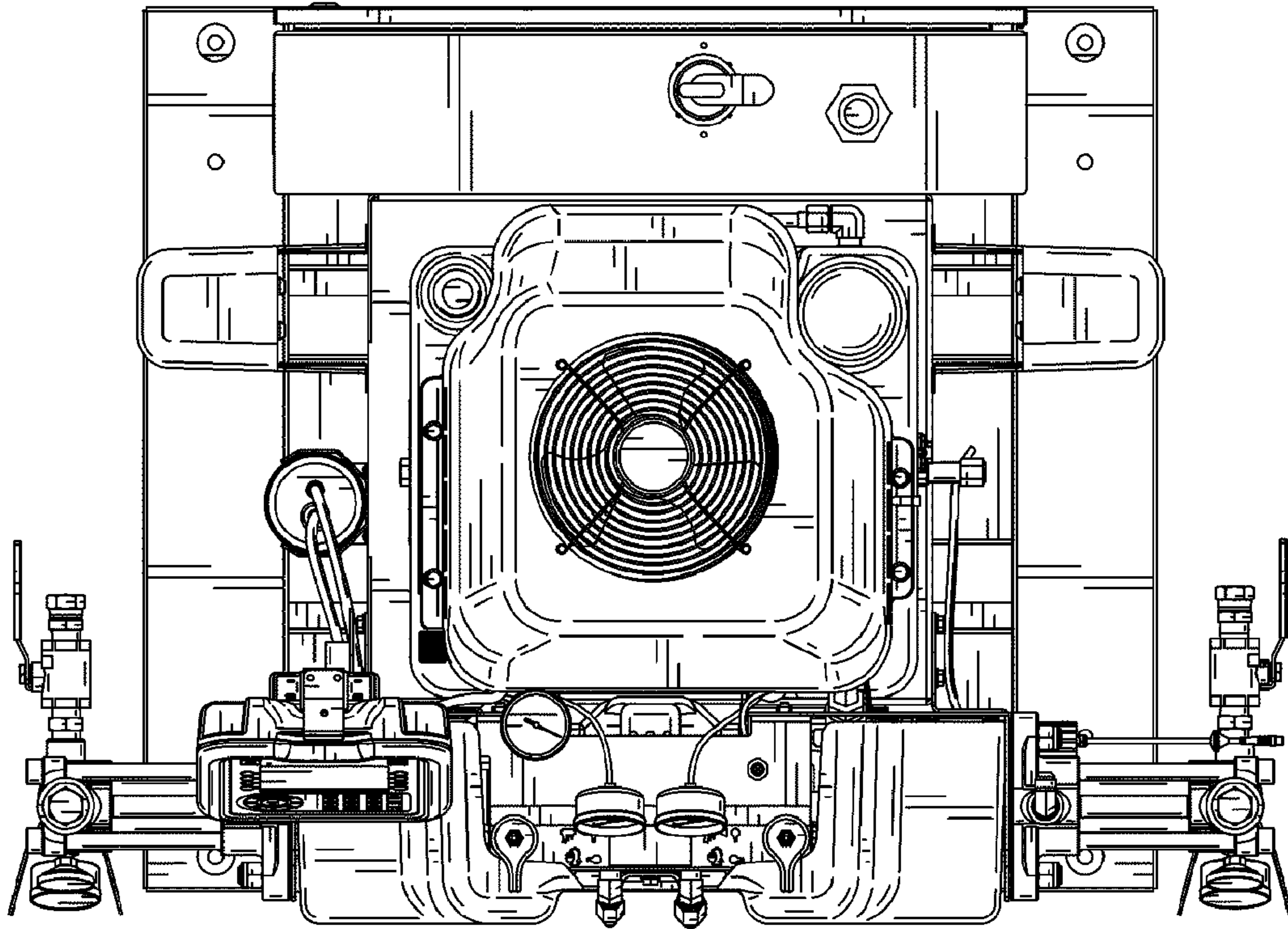


FIG. 2

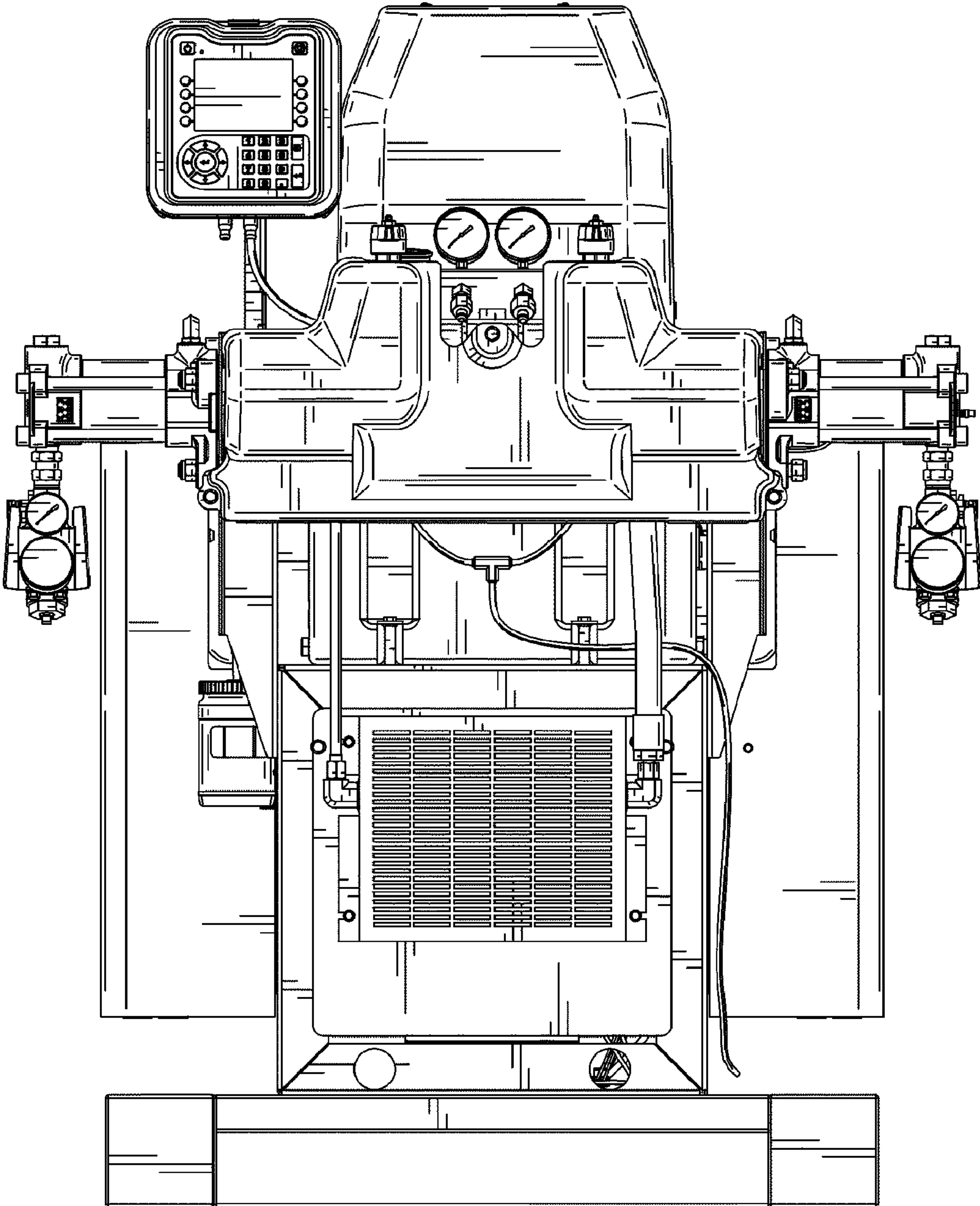


FIG. 3

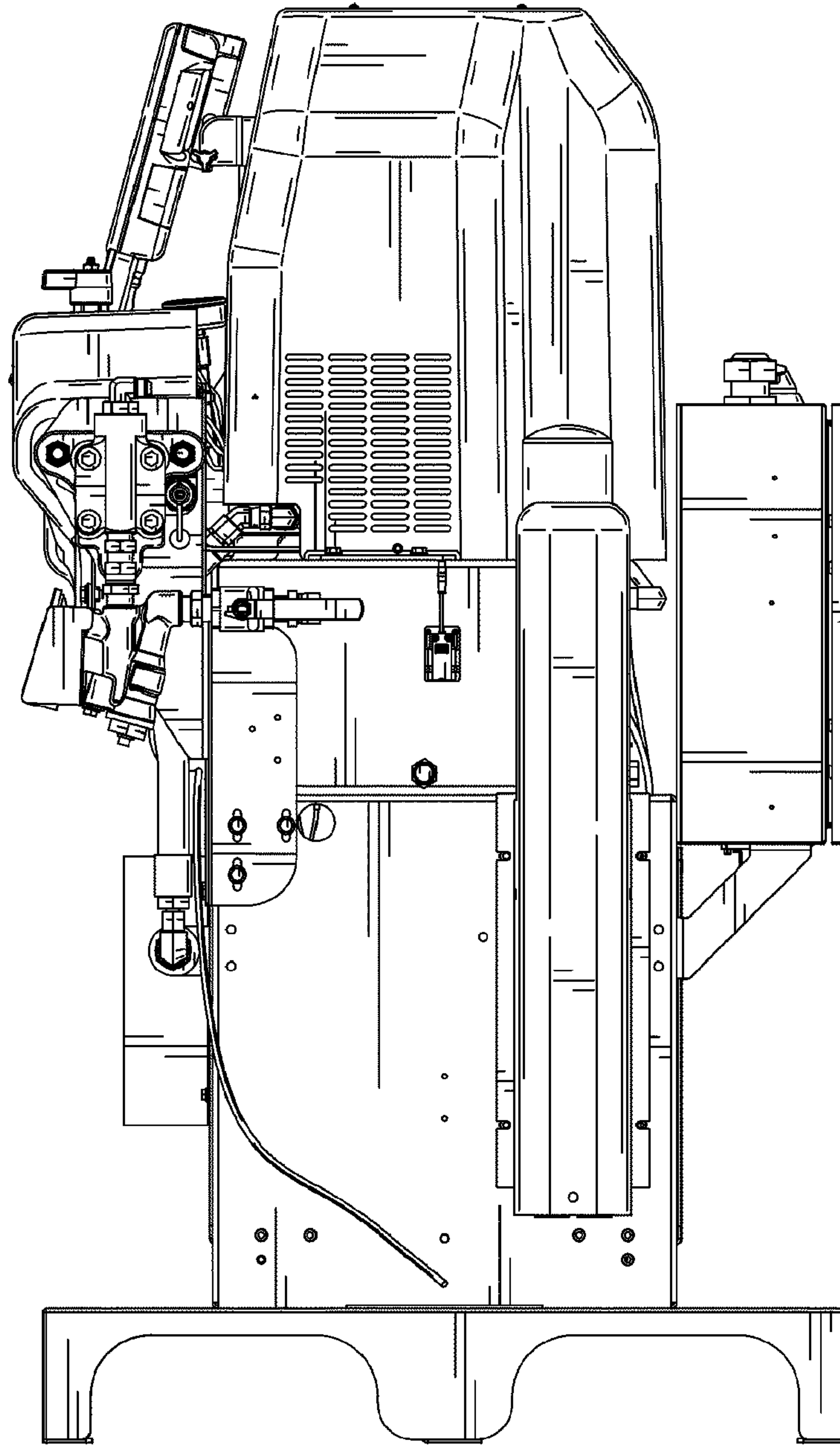


FIG. 4

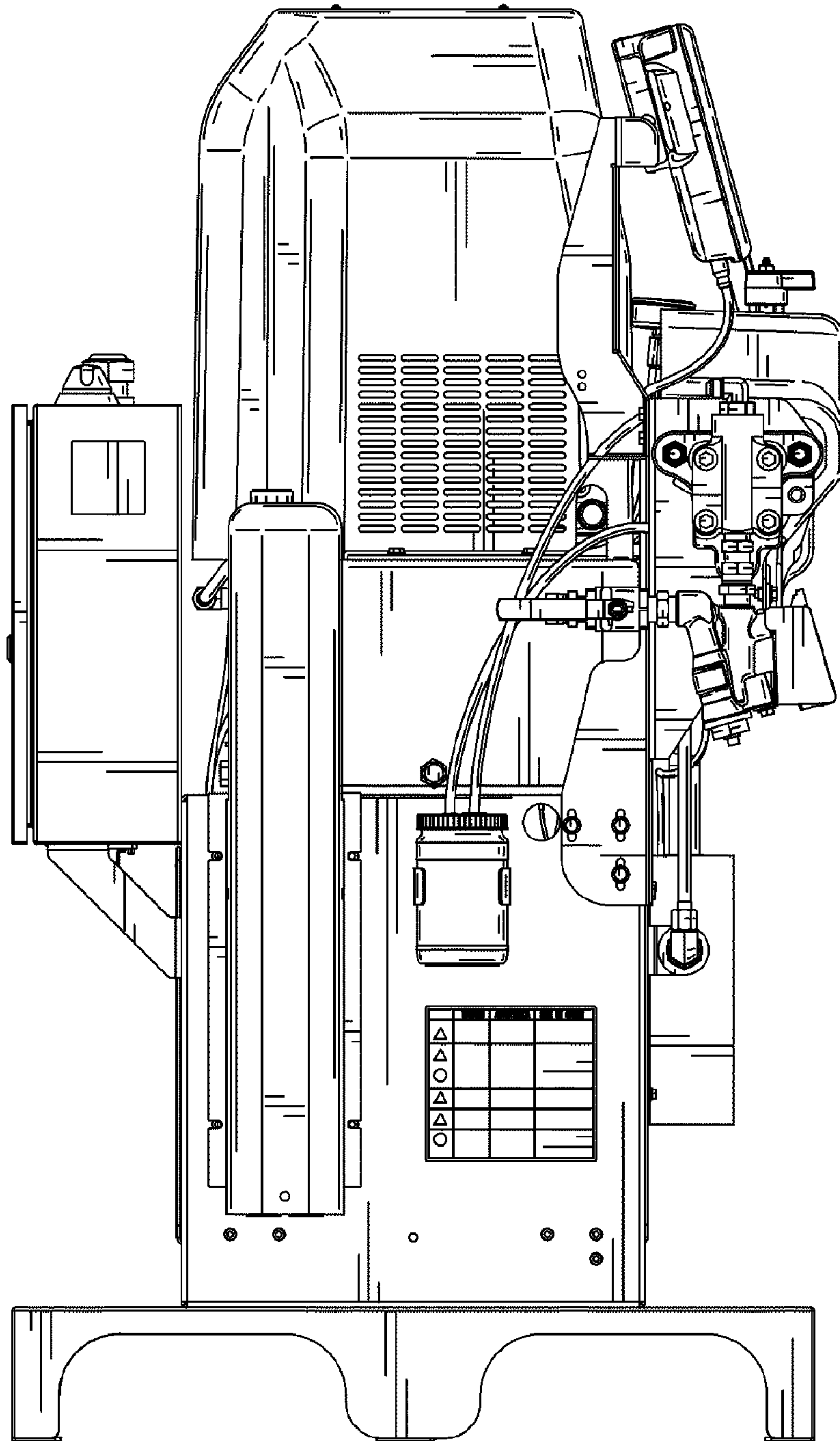


FIG. 5

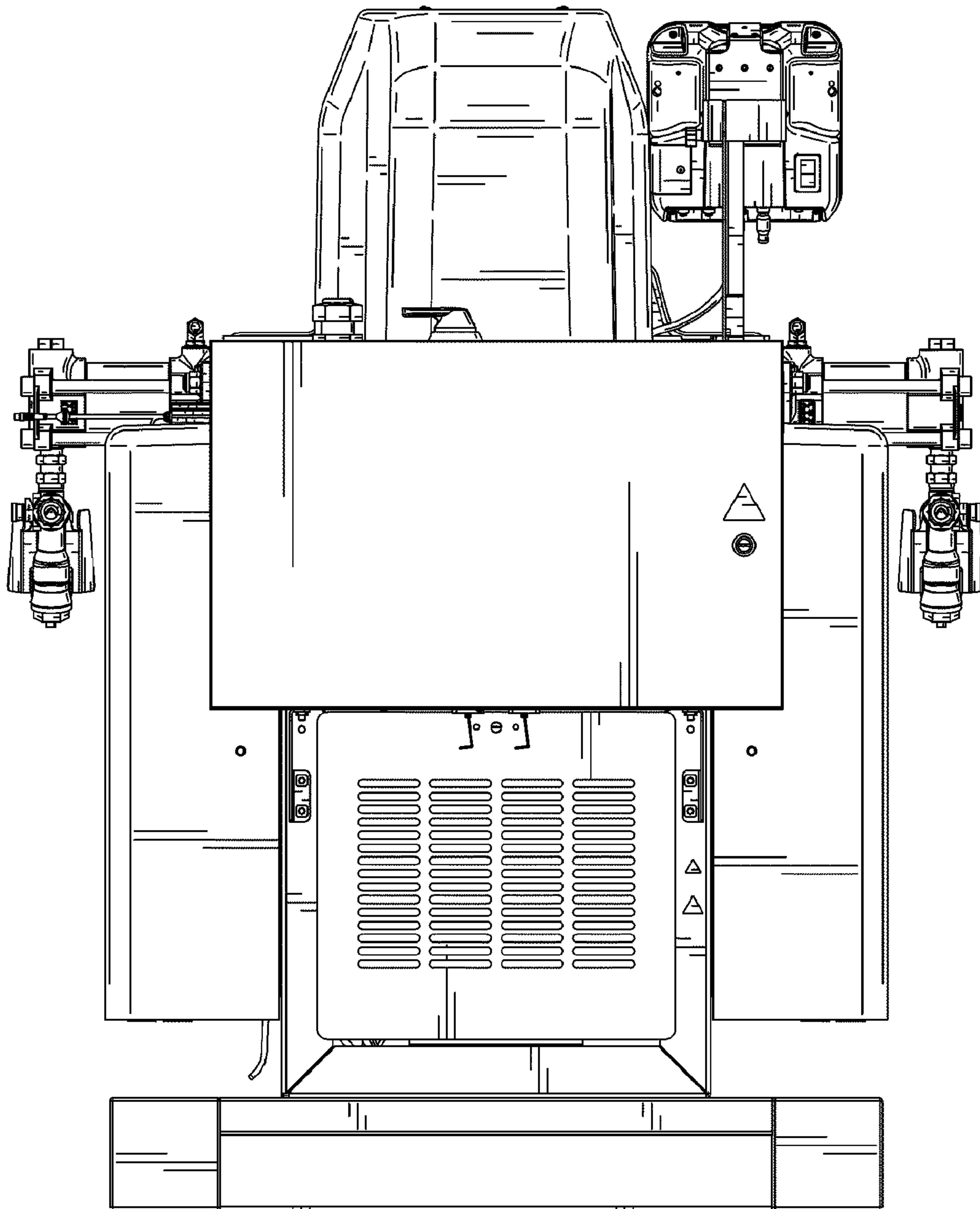


FIG. 6