



US00D651532S

(12) **United States Design Patent**
Li et al.

(10) **Patent No.:** **US D651,532 S**
(45) **Date of Patent:** **** Jan. 3, 2012**

(54) **MOTION SENSOR**

(75) Inventors: **Eddie Ping Kuen Li**, Hong Kong (CN);
Sue-Anne Tean Leung, Hong Kong (CN)

(73) Assignee: **Huizhou Light Engine Ltd.**, Huizhou, Guangdong (CN)

(**) Term: **14 Years**

(21) Appl. No.: **29/377,724**

(22) Filed: **Oct. 25, 2010**

(51) **LOC (9) Cl.** **10-04**

(52) **U.S. Cl.** **D10/70**

(58) **Field of Classification Search** D10/70,
D10/104; 250/221, 338.3, 340; 307/116,
307/117; 340/521, 527, 541, 567

See application file for complete search history.

(56) **References Cited**

U.S. PATENT DOCUMENTS

D574,276 S * 8/2008 Burkandt D10/70
D584,974 S * 1/2009 Fukuda et al. D10/70
7,544,941 B2 * 6/2009 Gorman et al. 250/338.1
D605,963 S * 12/2009 Kawai D10/70

D607,352 S * 1/2010 Hackenberg D10/70
D607,353 S * 1/2010 Hackenberg D10/70
D628,103 S * 11/2010 Schmalz et al. D10/70

* cited by examiner

Primary Examiner — Antoine D Davis

(74) *Attorney, Agent, or Firm* — Dickstein Shapiro LLP

(57) **CLAIM**

The ornamental design for a motion sensor, as shown and described.

DESCRIPTION

FIG. 1 is a perspective view of a motion sensor showing our new design;

FIG. 2 is a top view of the remote motion sensor in FIG. 1;

FIG. 3 is a left side view of the motion sensor shown in FIG. 1;

FIG. 4 is a right side view of the motion sensor shown in FIG. 1;

FIG. 5 is a bottom view of the motion sensor shown in FIG. 1;

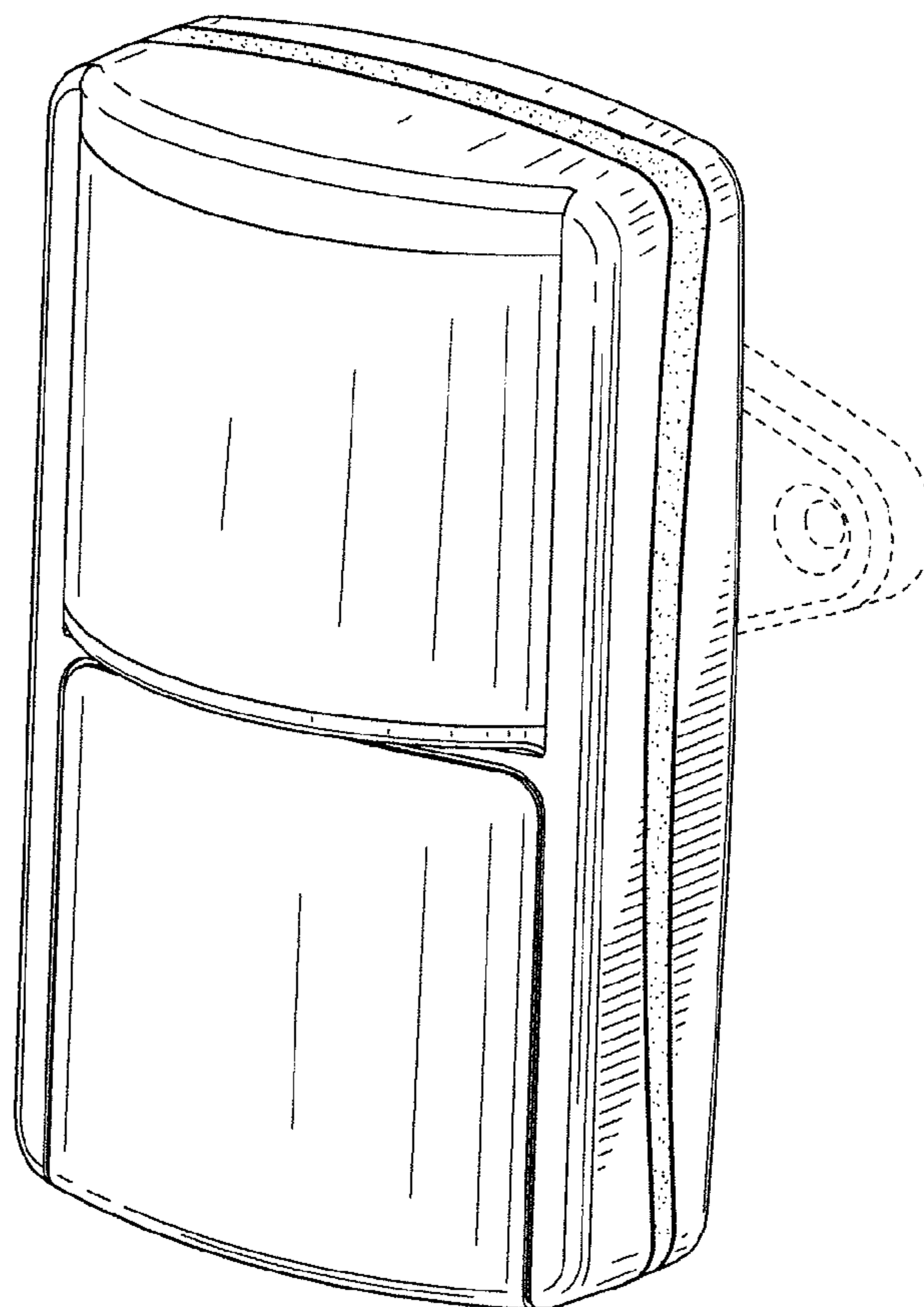
FIG. 6 is a front view of the motion sensor shown in FIG. 1;

and,

FIG. 7 is a rear view of the motion sensor shown in FIG. 1.

The broken lines shown in FIGS. 1 and 3-7 of the drawings are for illustrative purposes only and form no part of the claimed design.

1 Claim, 6 Drawing Sheets



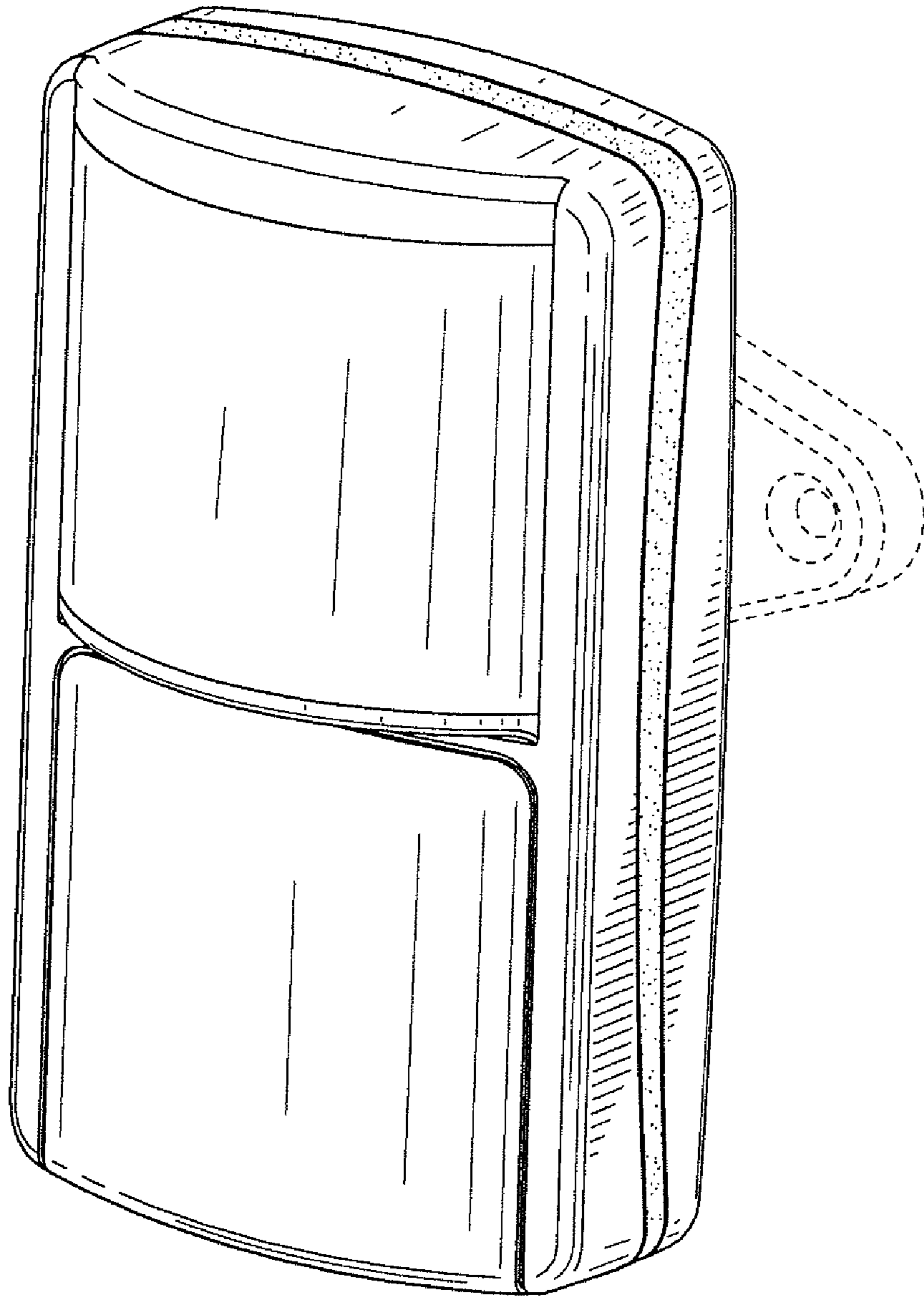


FIG. 1

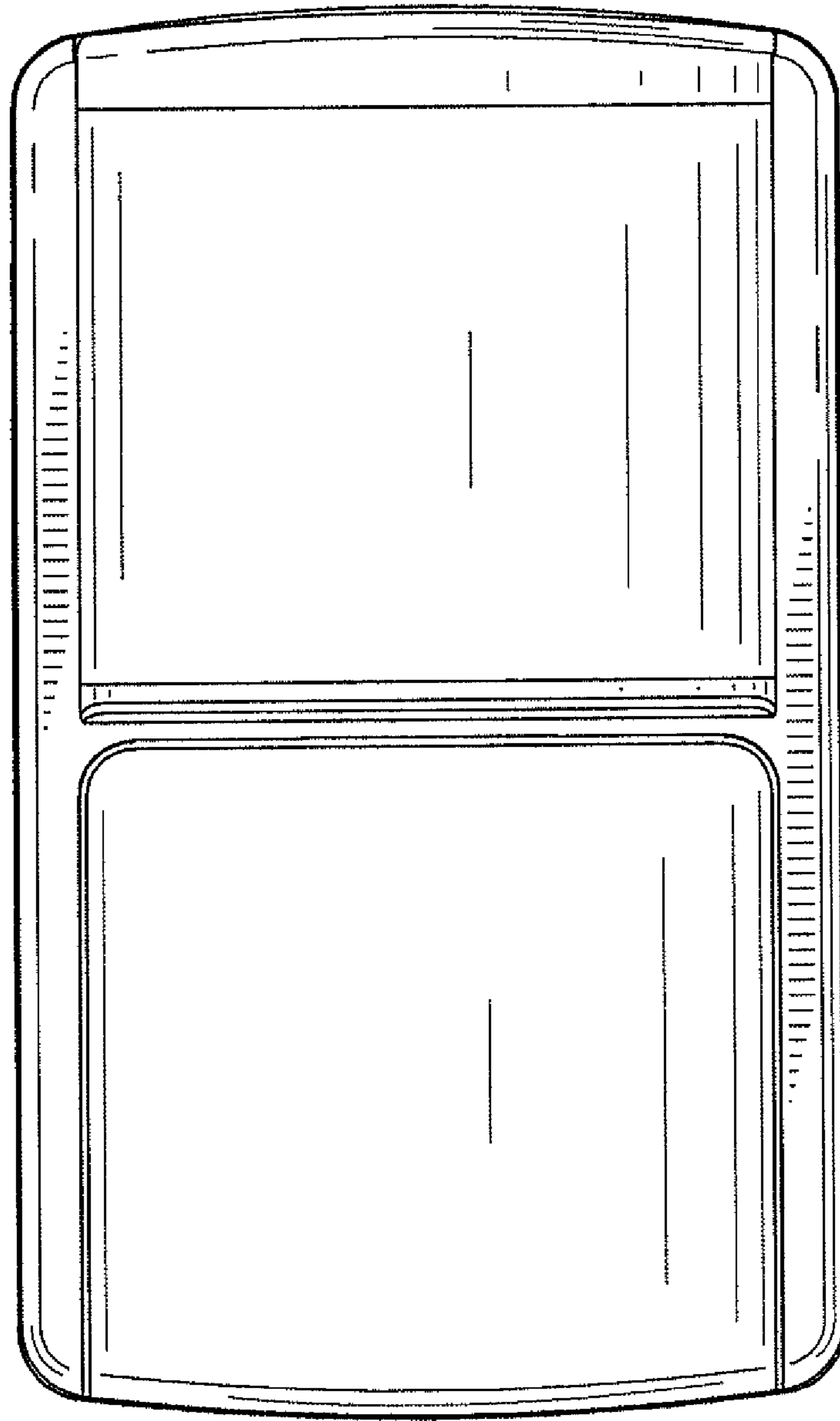


FIG. 2

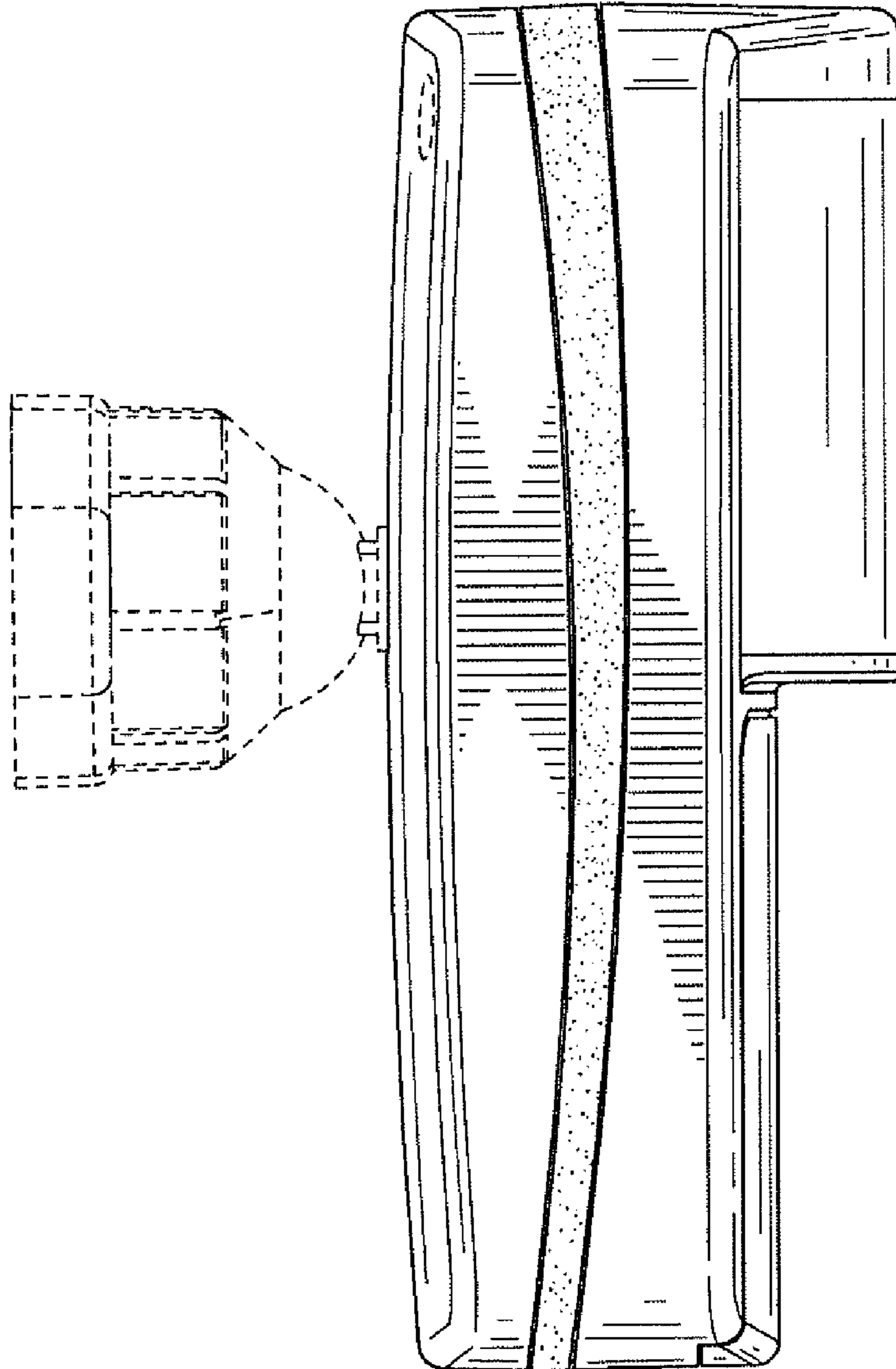


FIG. 3

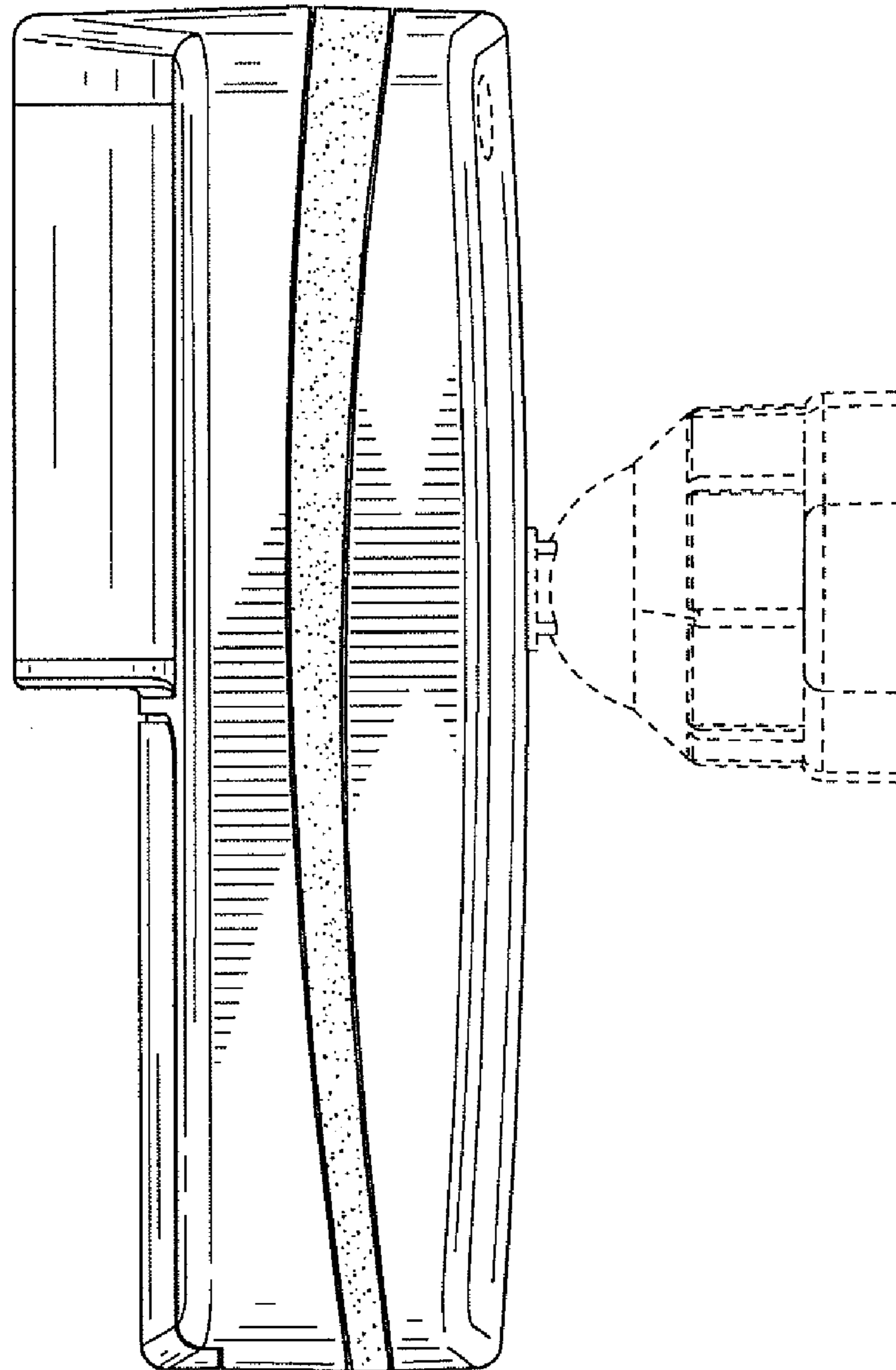


FIG. 4

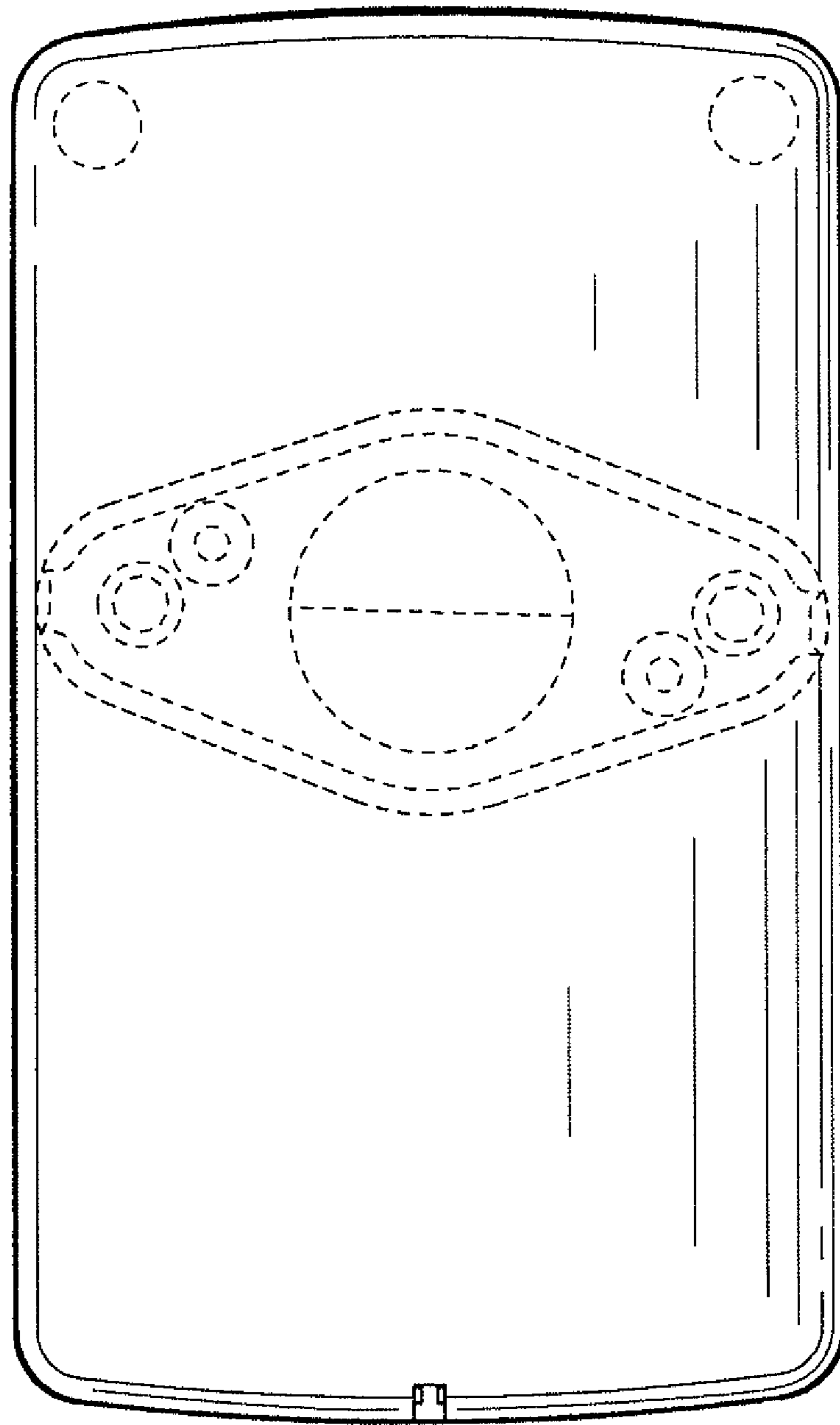


FIG. 5

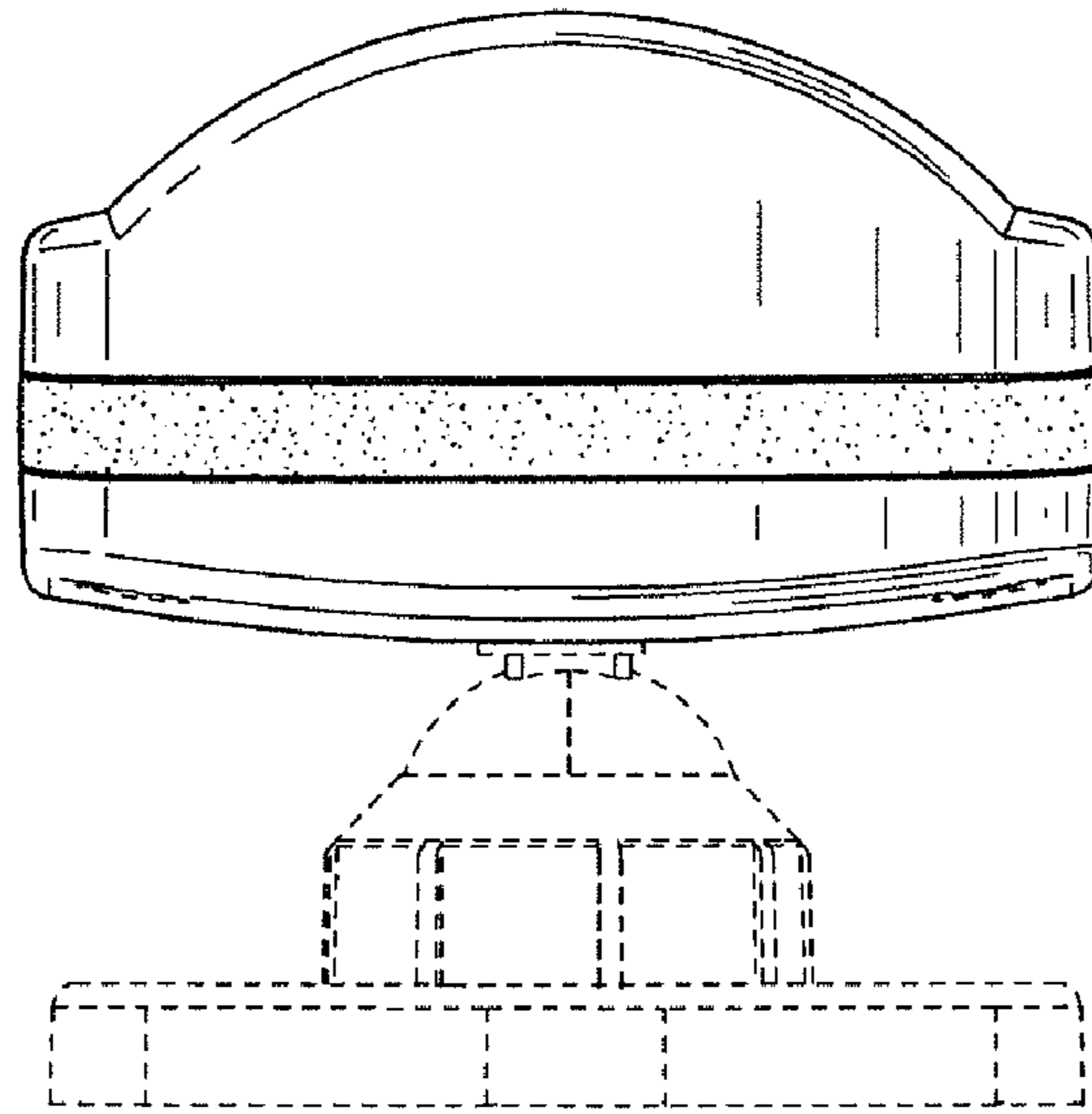


FIG. 6

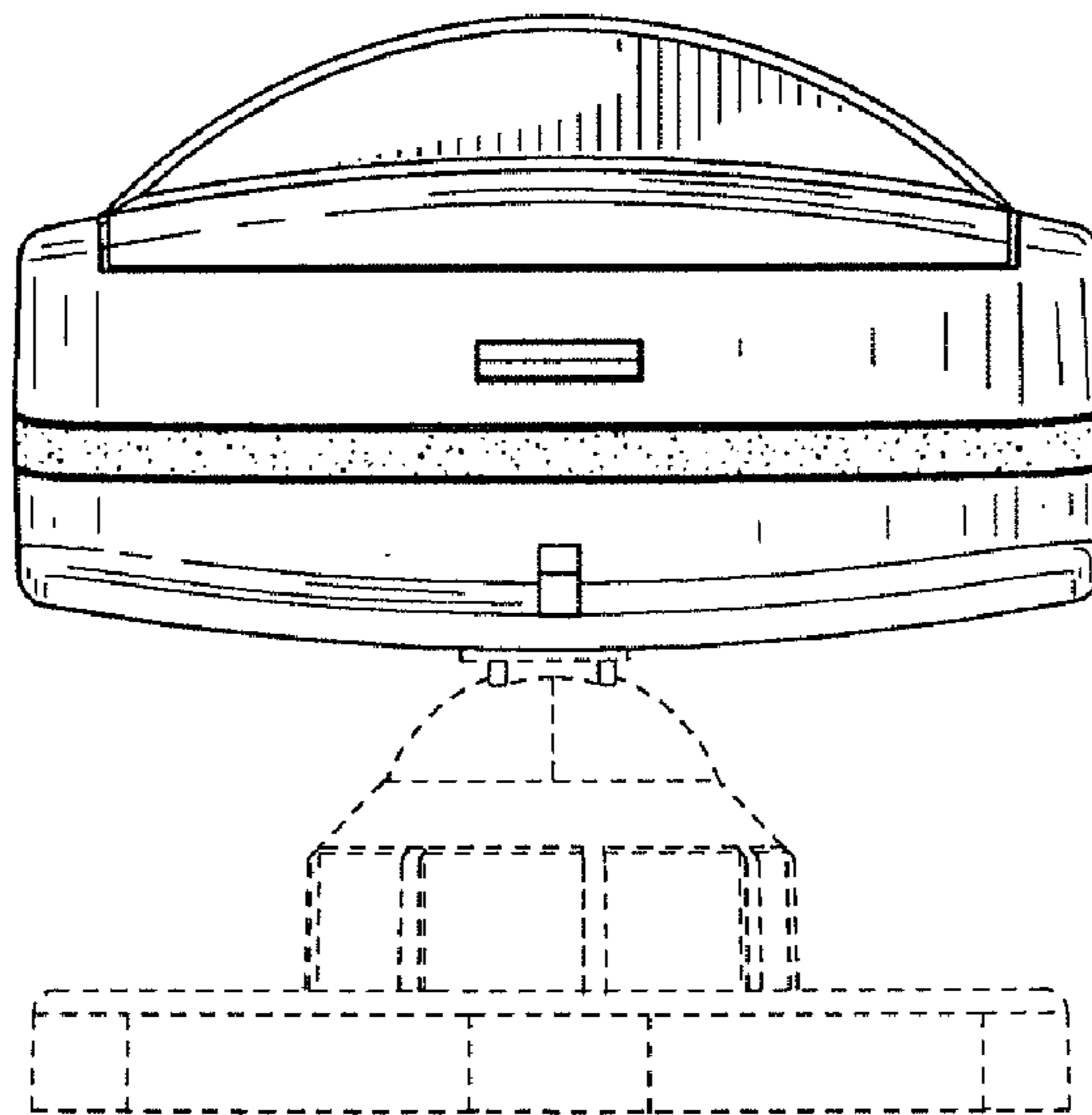


FIG. 7