



US00D651531S

(12) **United States Design Patent**
Rothman

(10) **Patent No.:** **US D651,531 S**
(45) **Date of Patent:** **** Jan. 3, 2012**

(54) **TEMP METER**

(74) *Attorney, Agent, or Firm* — Michael J. Hughes

(75) Inventor: **Jacob Rothman**, Shanghai (CN)

(57) **CLAIM**
The ornamental design for a temp meter, as shown.

(73) Assignee: **National Broom Co. of California, Inc.**,
San Leandro, CA (US)

DESCRIPTION

(**) Term: **14 Years**

FIG. 1 is a front top right perspective view of the storage mode of the temp meter of the present invention;
FIG. 2 is a top view of the storage mode;
FIG. 3 is a bottom view of the storage mode;
FIG. 4 is a rear view of the storage mode;
FIG. 5 is a front view of the storage mode;
FIG. 6 is a right side elevational view of the storage mode;
FIG. 7 is a left side elevational view of the storage mode.
FIG. 8 is a front top right perspective view of the usage mode of the temp meter of the present invention;
FIG. 9 is a top view of the usage mode;
FIG. 10 is a bottom view of the usage mode;
FIG. 11 is a rear view of the usage mode;
FIG. 12 is a front view of the usage mode;
FIG. 13 is a right side elevational view of the usage mode;
and,
FIG. 14 is a left side elevational view of the usage mode.

(21) Appl. No.: **29/381,367**

(22) Filed: **Dec. 17, 2010**

(51) **LOC (9) Cl.** **10-04**

(52) **U.S. Cl.** **D10/57**

(58) **Field of Classification Search** D10/57;
374/1-208; 600/549

See application file for complete search history.

(56) **References Cited**

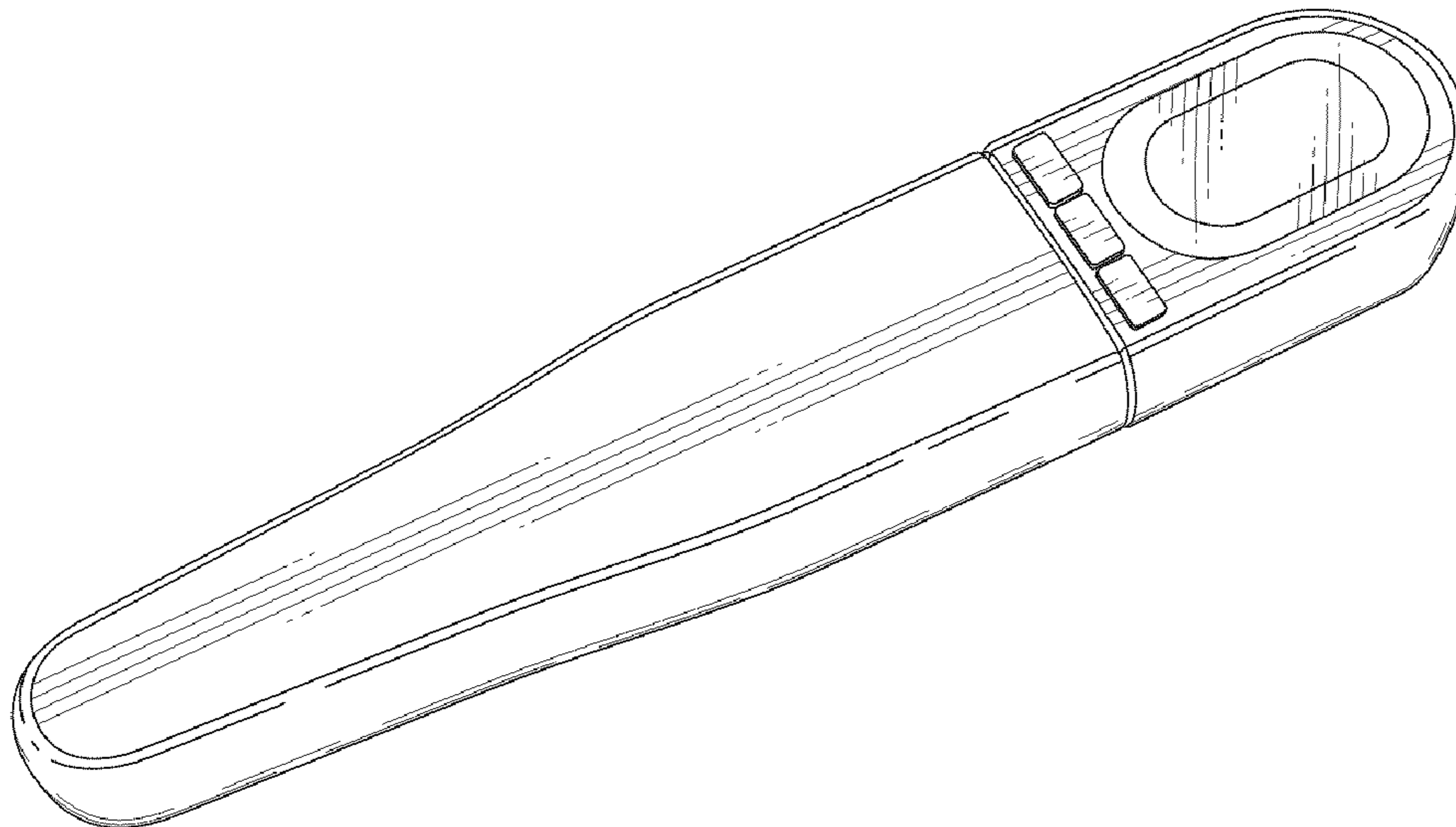
U.S. PATENT DOCUMENTS

D615,425 S * 5/2010 Shigeno et al. D10/57
D631,289 S * 1/2011 Tuli D10/57

* cited by examiner

Primary Examiner — Antoine D Davis

1 Claim, 4 Drawing Sheets



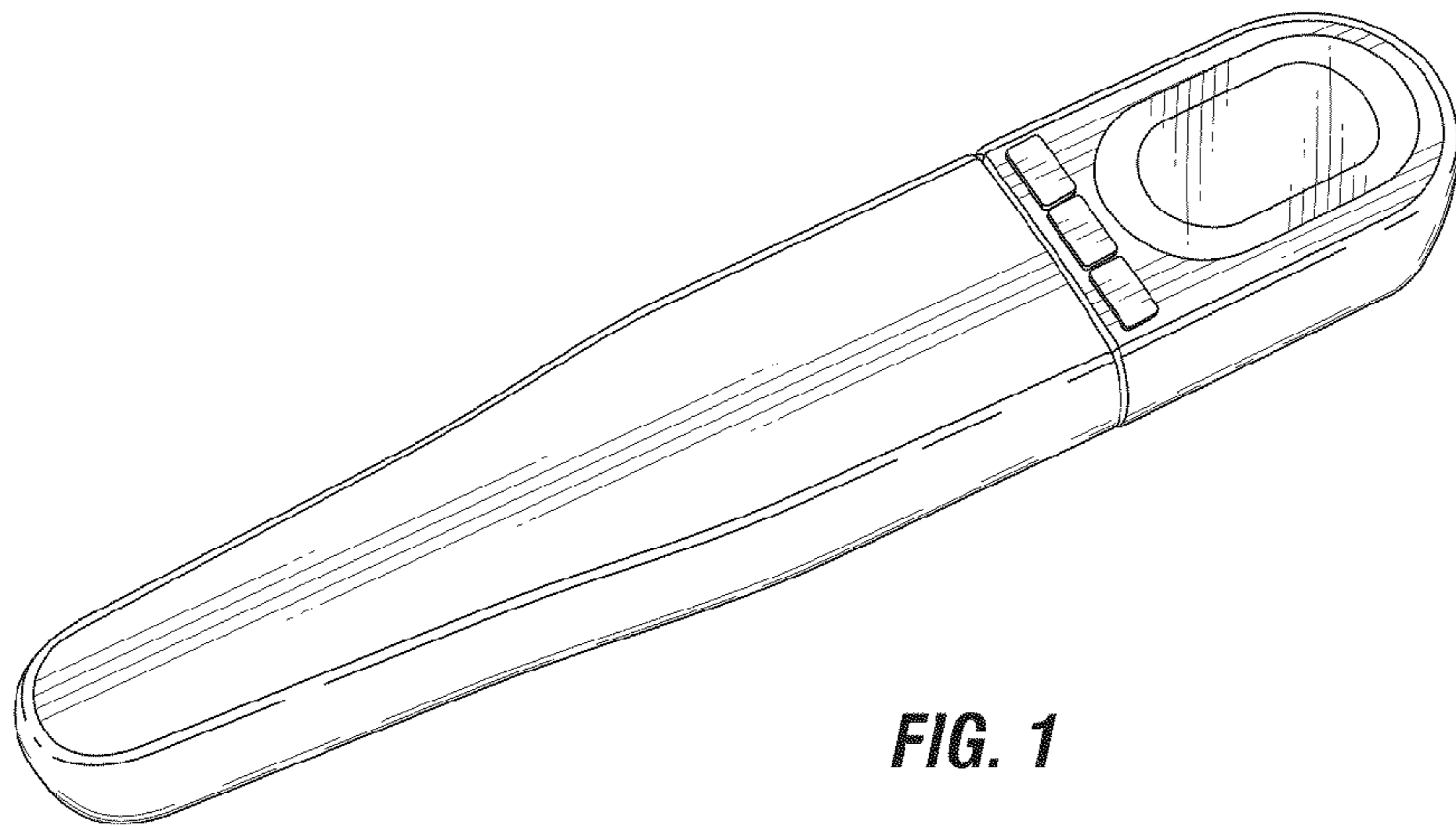


FIG. 1

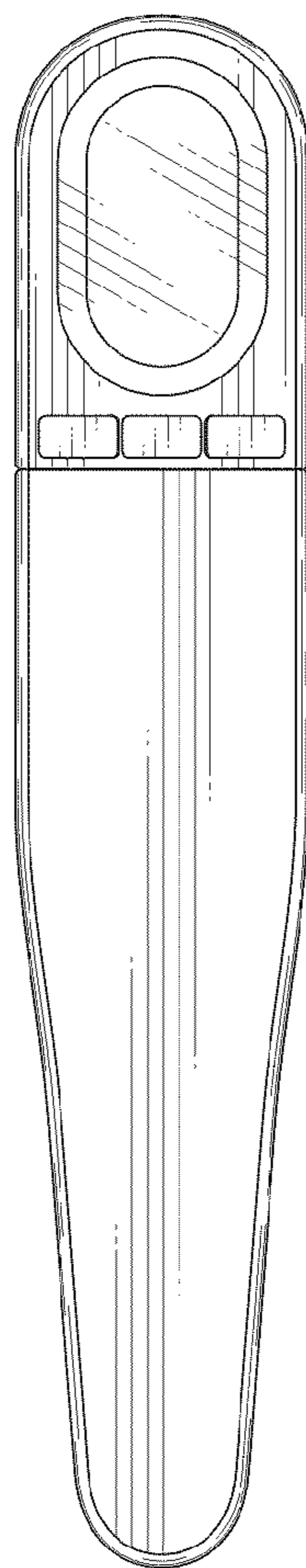


FIG. 2

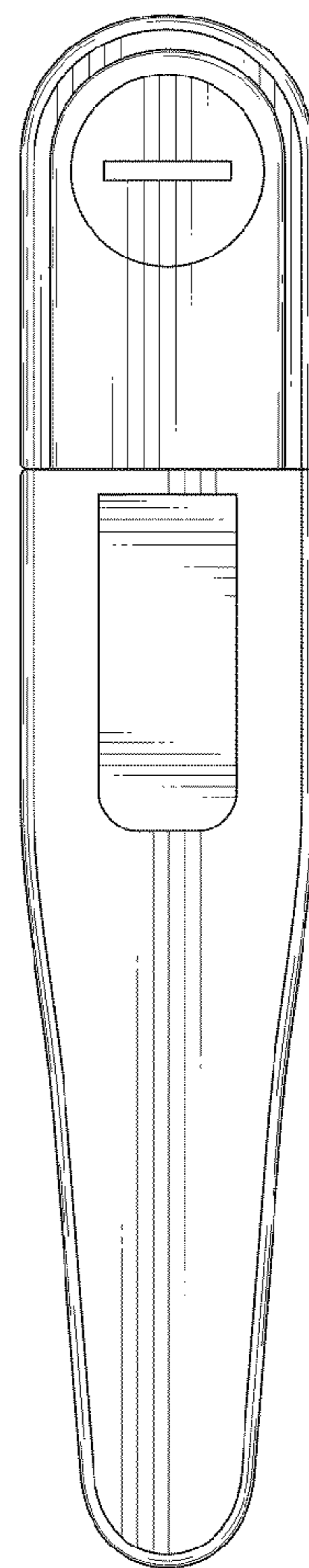


FIG. 3

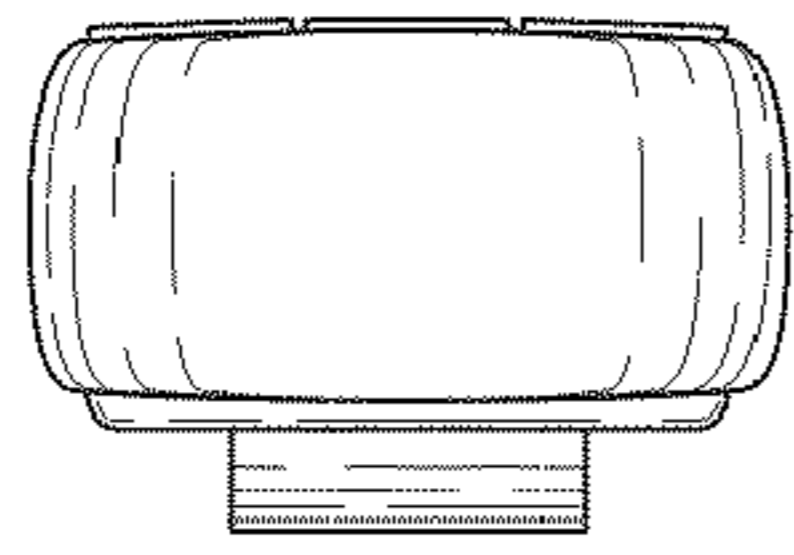


FIG. 4

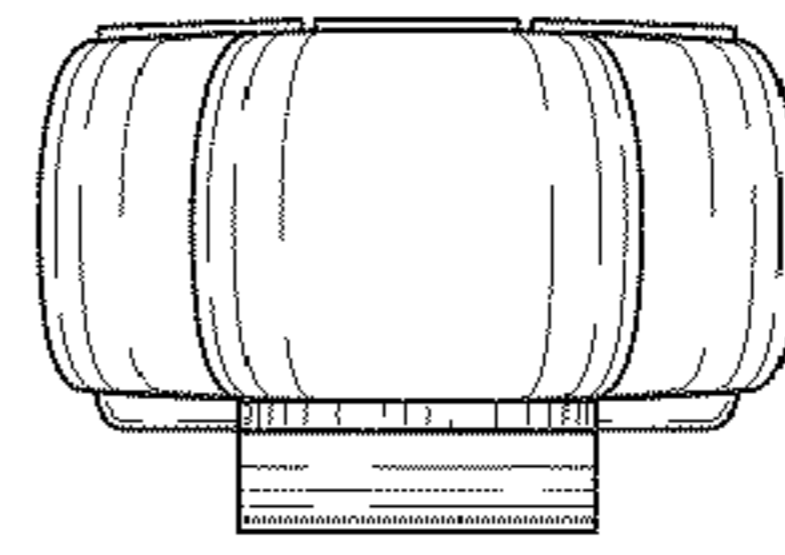


FIG. 5

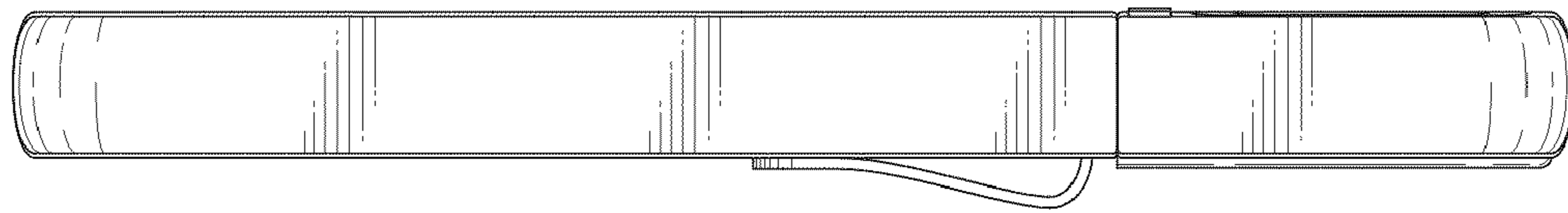


FIG. 6

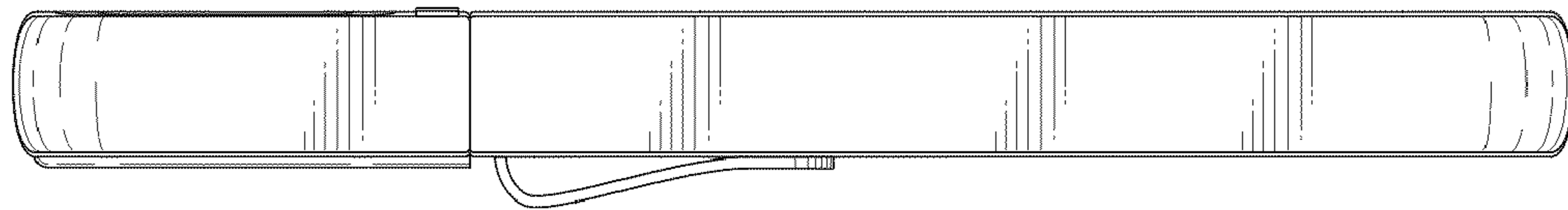


FIG. 7

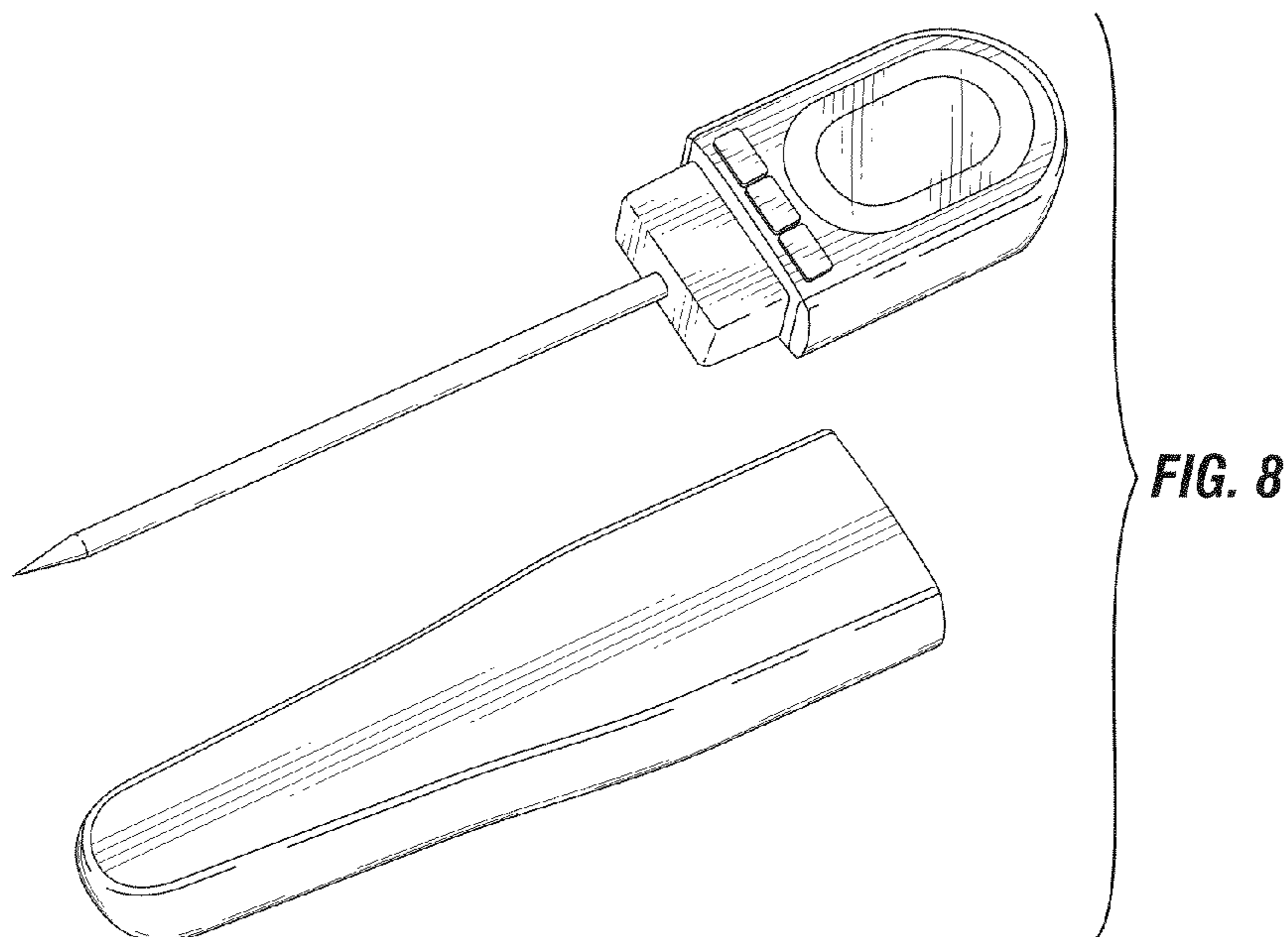


FIG. 8

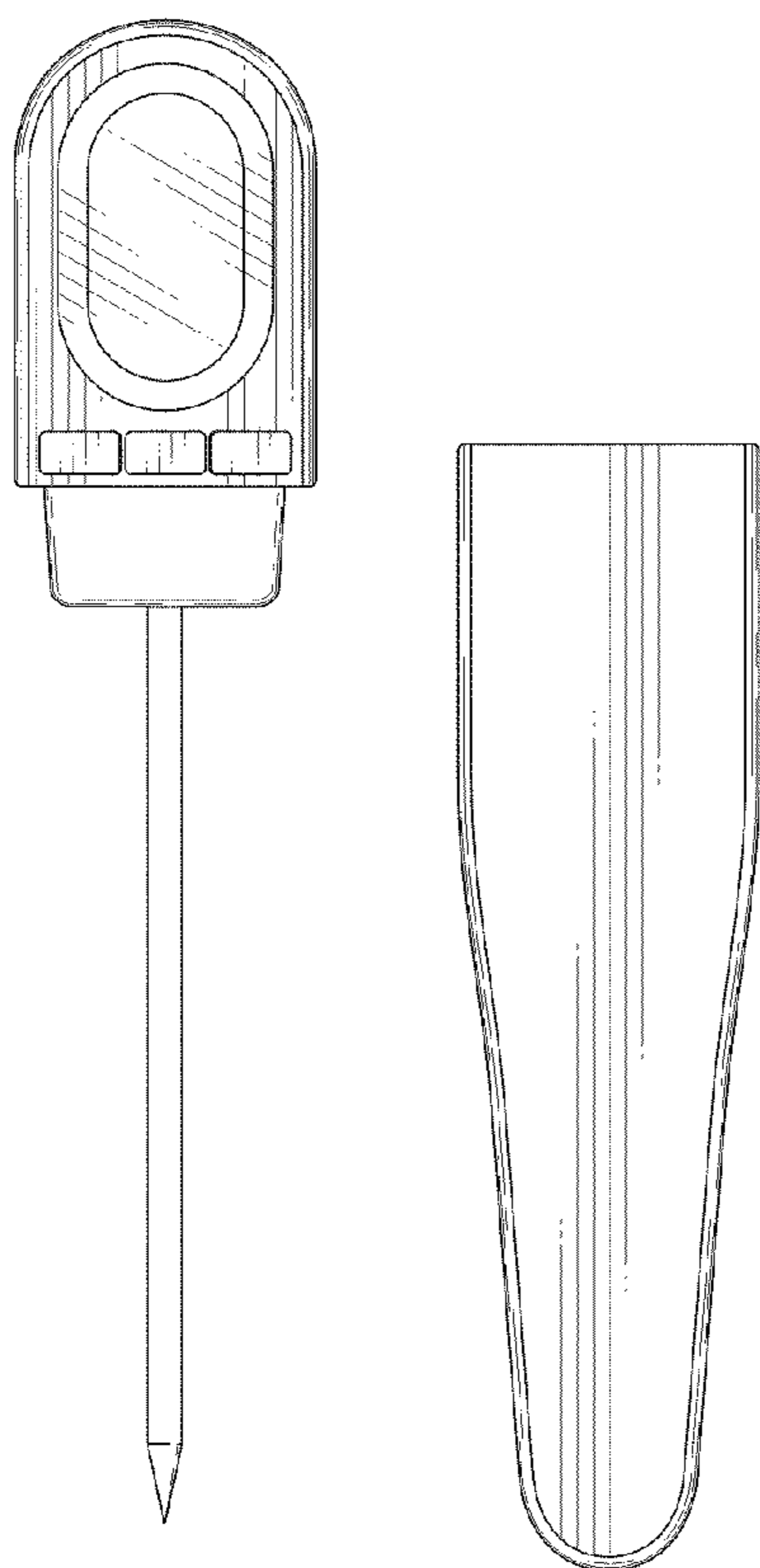


FIG. 9

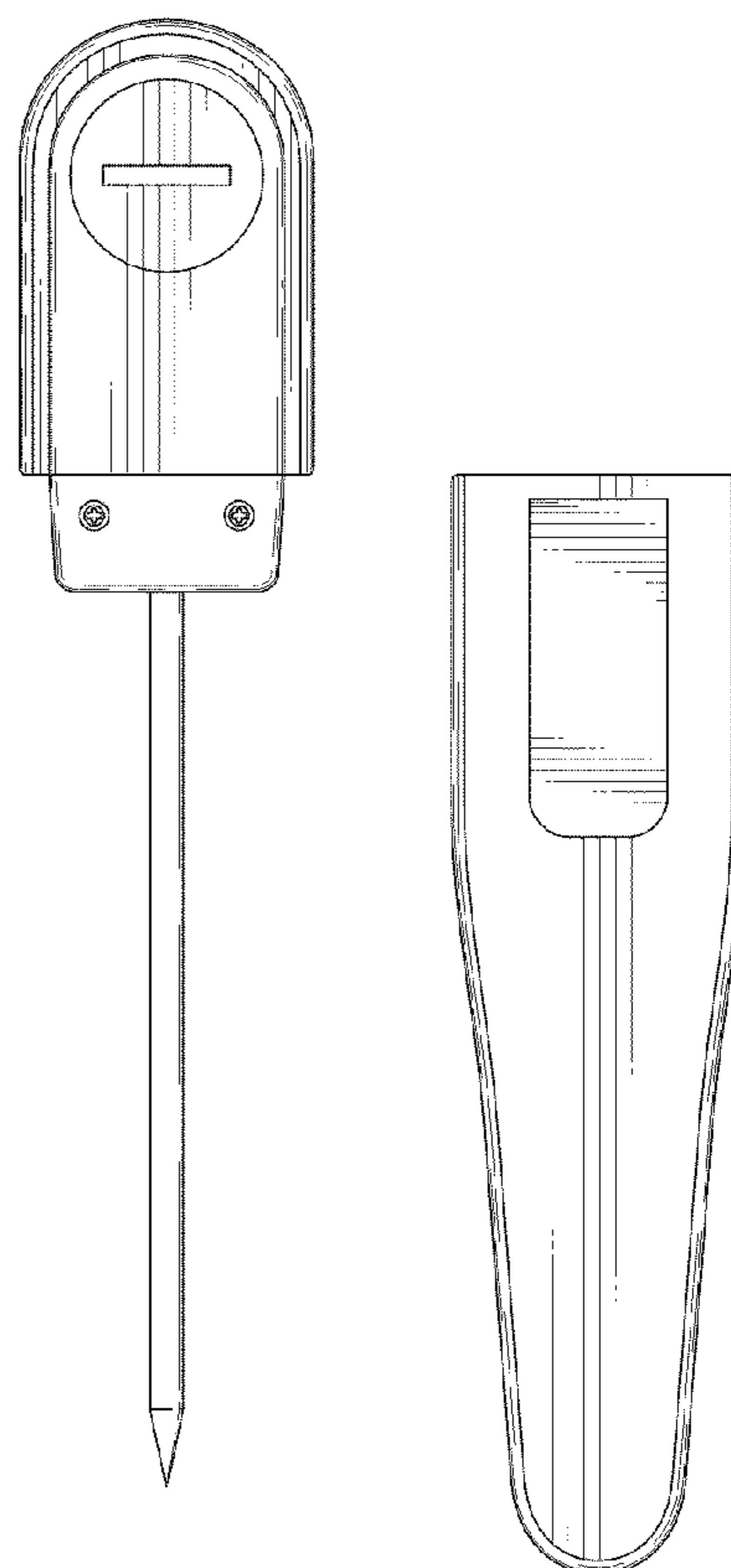


FIG. 10

