



US00D651530S

(12) **United States Design Patent**
Baumgartner et al.

(10) **Patent No.:** **US D651,530 S**

(45) **Date of Patent:** **** Jan. 3, 2012**

(54) **THERMOSTAT DEVICE**

(75) Inventors: **Klaus Baumgartner**, Sindelfingen (DE);
Lars Gerold, Stuttgart (DE)

(73) Assignee: **Siemens Aktiengesellschaft**, Munich
(DE)

(**) Term: **14 Years**

(21) Appl. No.: **29/387,449**

(22) Filed: **Mar. 14, 2011**

(30) **Foreign Application Priority Data**

Sep. 30, 2010 (EM) 001762048

(51) **LOC (9) Cl.** **10-04**

(52) **U.S. Cl.** **D10/50; D10/49**

(58) **Field of Classification Search** D10/49-50;
D13/162; 55/270, 274, 279, DIG. 7, DIG. 34;
62/176.6, 125-130, 78, 180, 186; 73/23.2,
73/23.34, 31.01, 31.02, 431, 170.16-170.19,
73/170.21-170.25, 863.12, 29, 29.02, 335.01-335.14;
236/46 R, 47, 94, 44 C, 44 R, 49.3, 44 A,
236/96; 337/112, 327, 360; 340/602, 627,
340/632, 634; 361/346; 364/141, 146, 147,
364/188, 420, 557; 454/229, 239, 256, 257,
454/258; 700/18, 159, 181

See application file for complete search history.

(56) **References Cited**

U.S. PATENT DOCUMENTS

D539,676 S * 4/2007 Hedderich et al. D10/49
D610,475 S * 2/2010 Beers et al. D10/50
D613,625 S * 4/2010 Schneor D10/49

* cited by examiner

Primary Examiner — Antoine D Davis

(74) *Attorney, Agent, or Firm* — Laurence A. Greenberg;
Werner H. Stemer; Ralph E. Locher

(57) **CLAIM**

The ornamental design for a thermostat device, as shown and described.

DESCRIPTION

FIG. 1 is a top perspective view of the thermostat device showing my new design;
FIG. 2 is a top view of the thereof;
FIG. 3 is a bottom view thereof;
FIG. 4 is a left side view thereof;
FIG. 5 is a right side view thereof;
FIG. 6 is a rear view thereof; and,
FIG. 7 is a front view thereof.

1 Claim, 4 Drawing Sheets

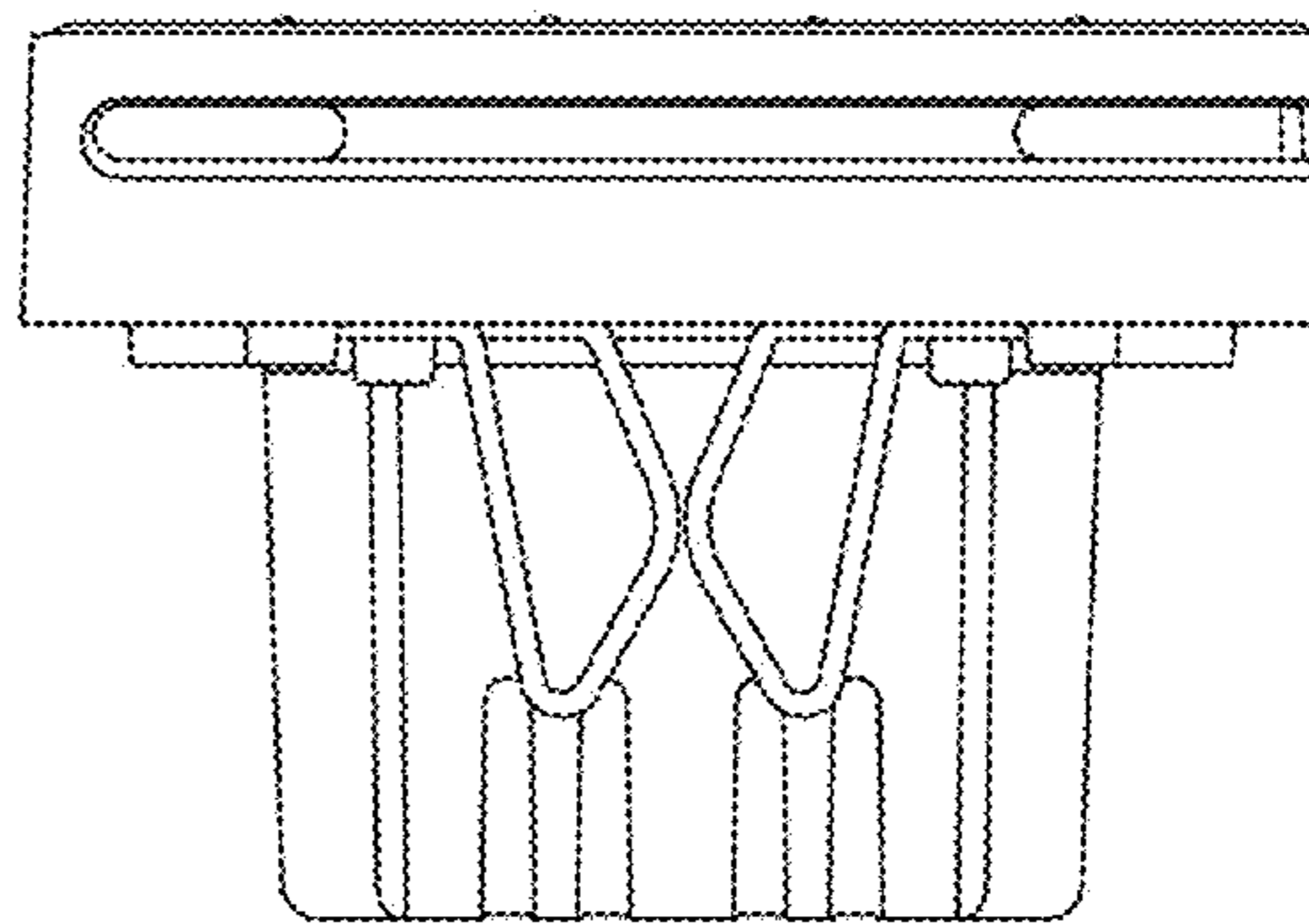
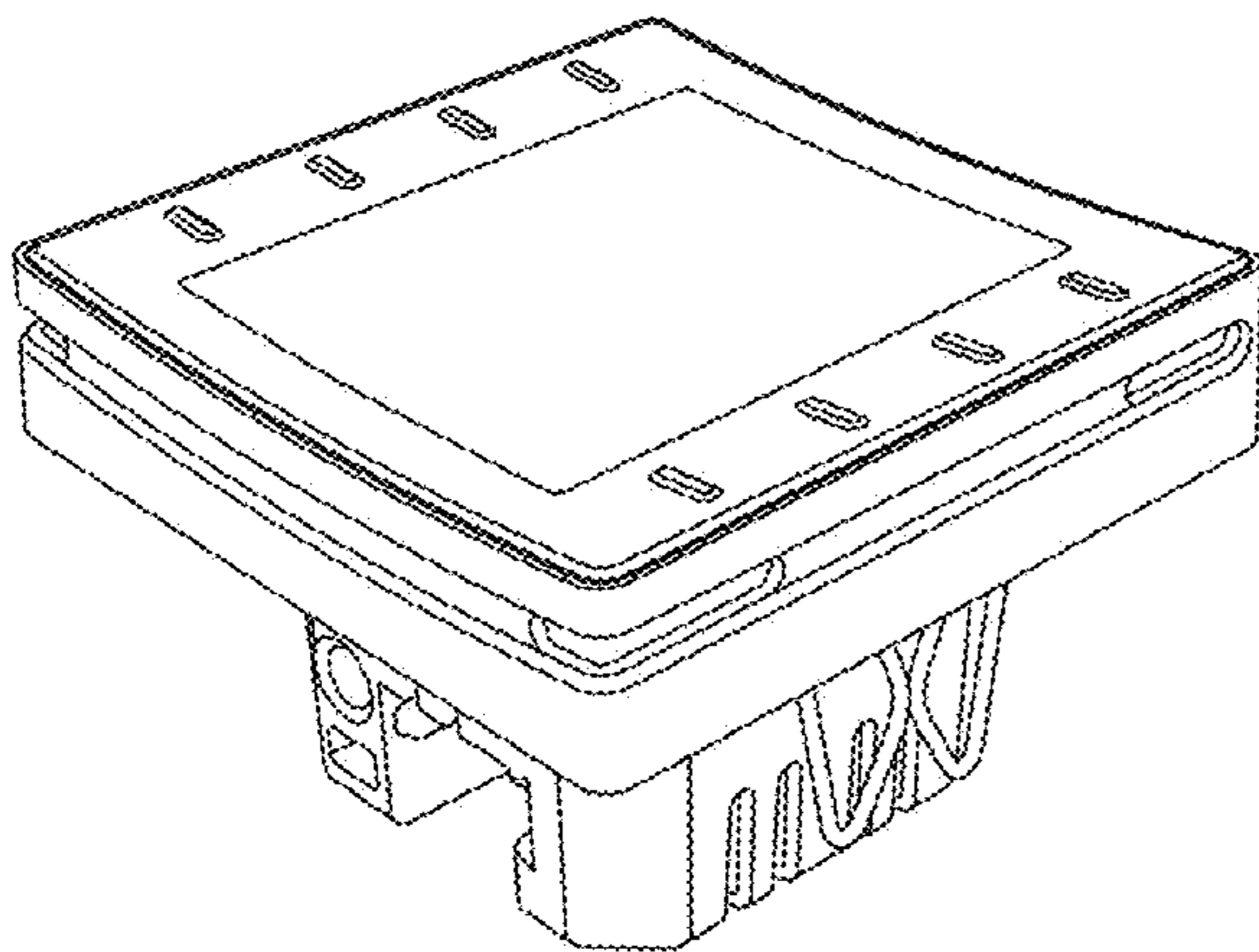


FIG. 1

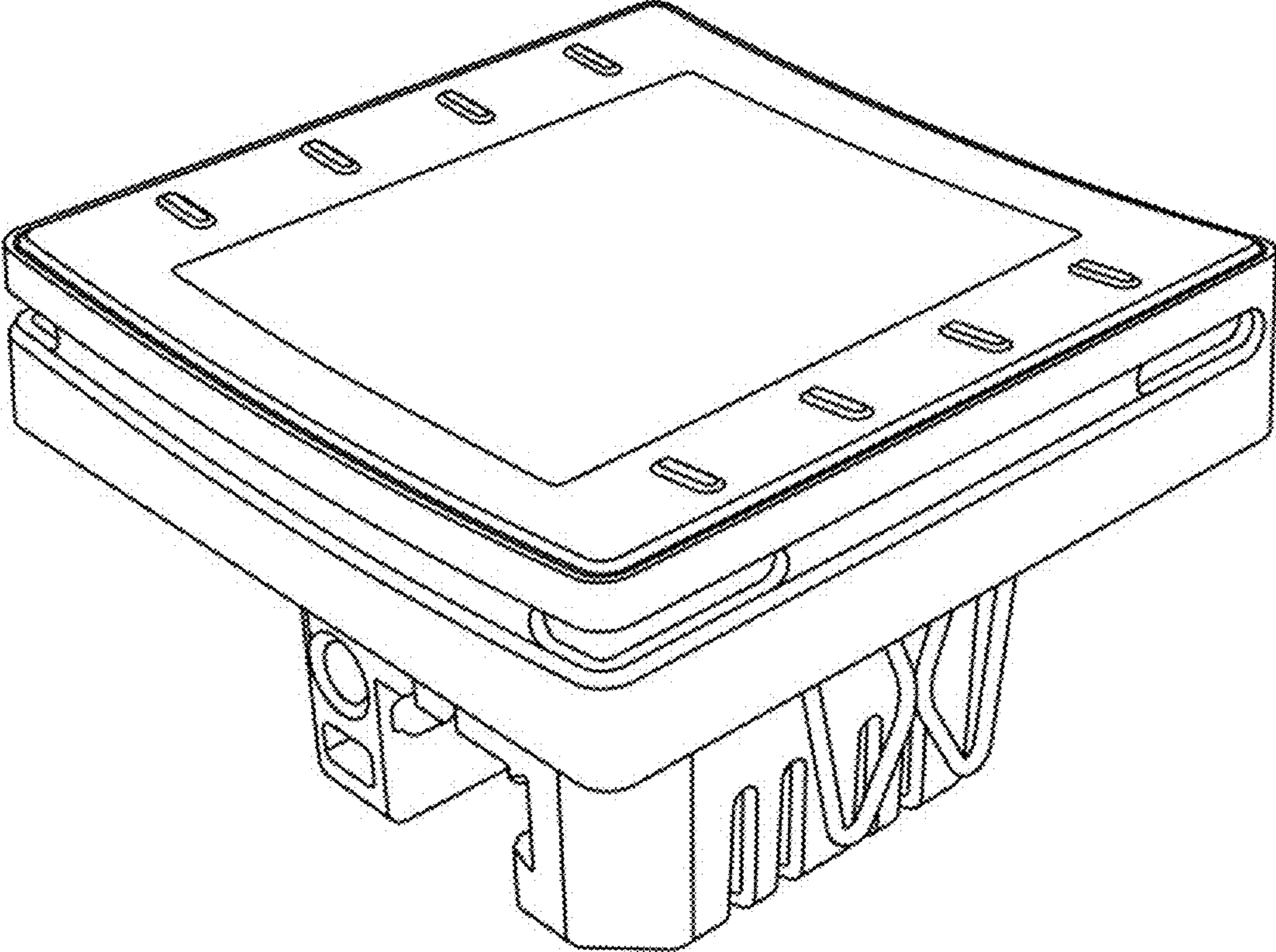


FIG. 2

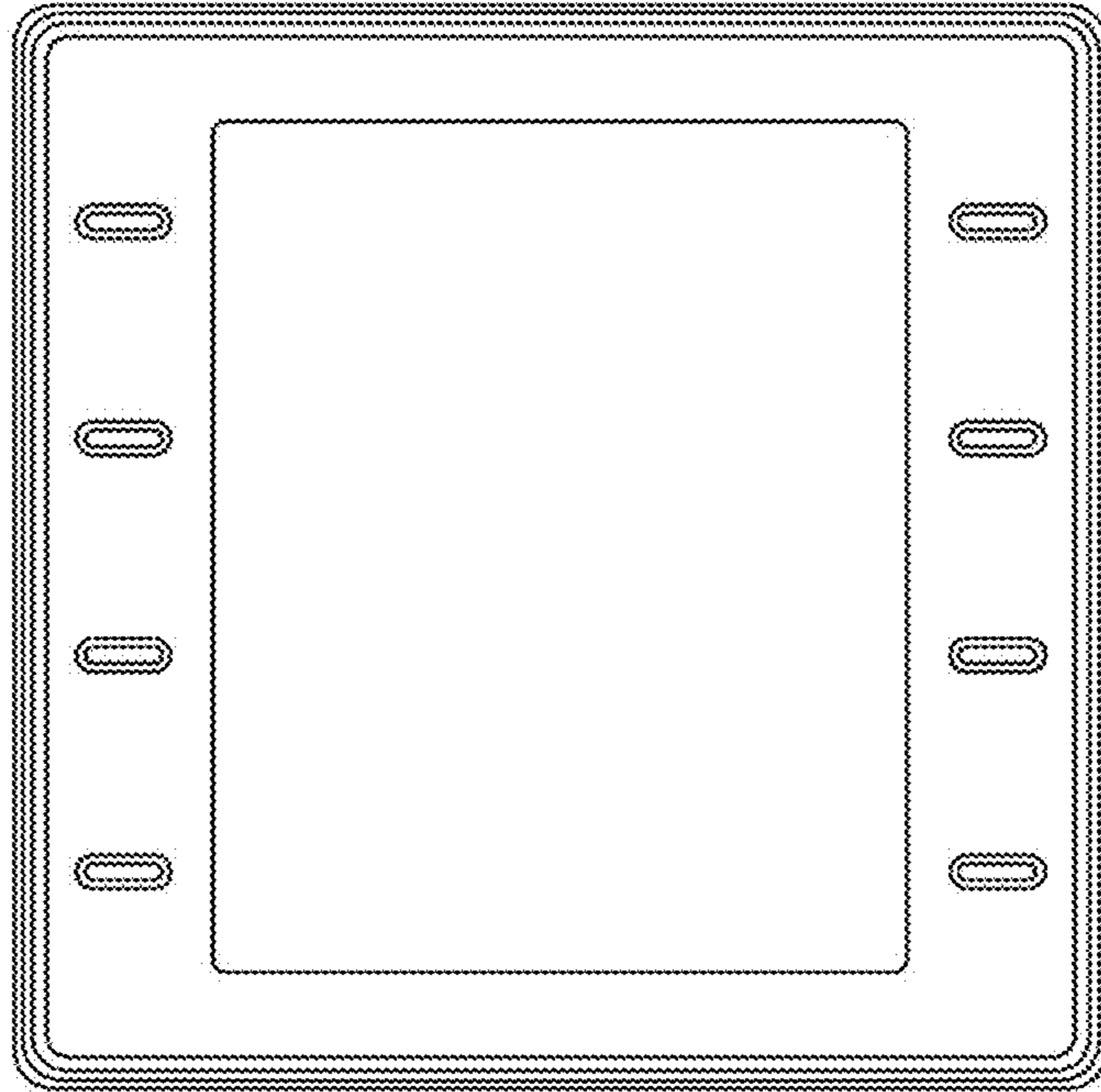


FIG. 3

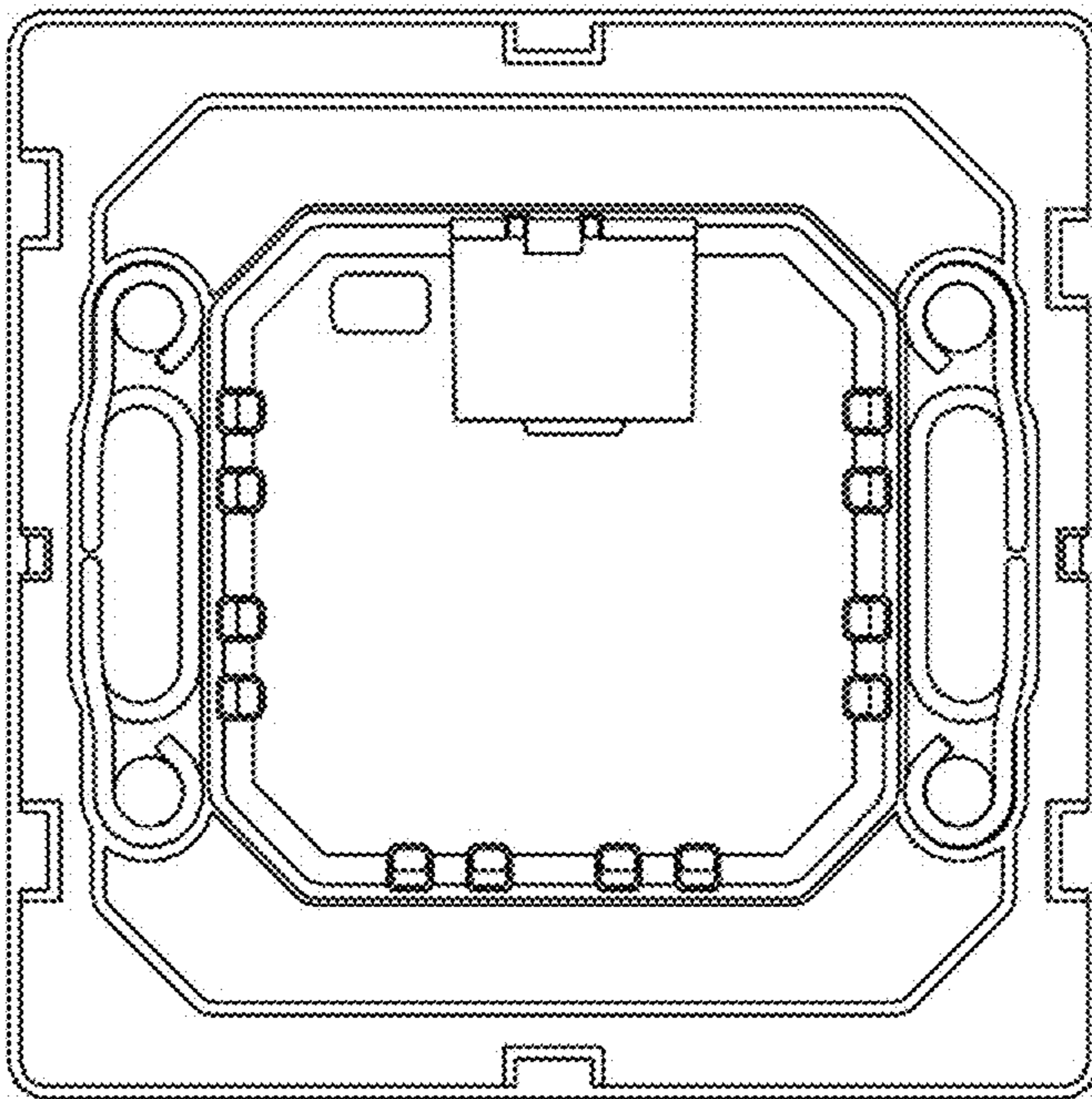


FIG. 4

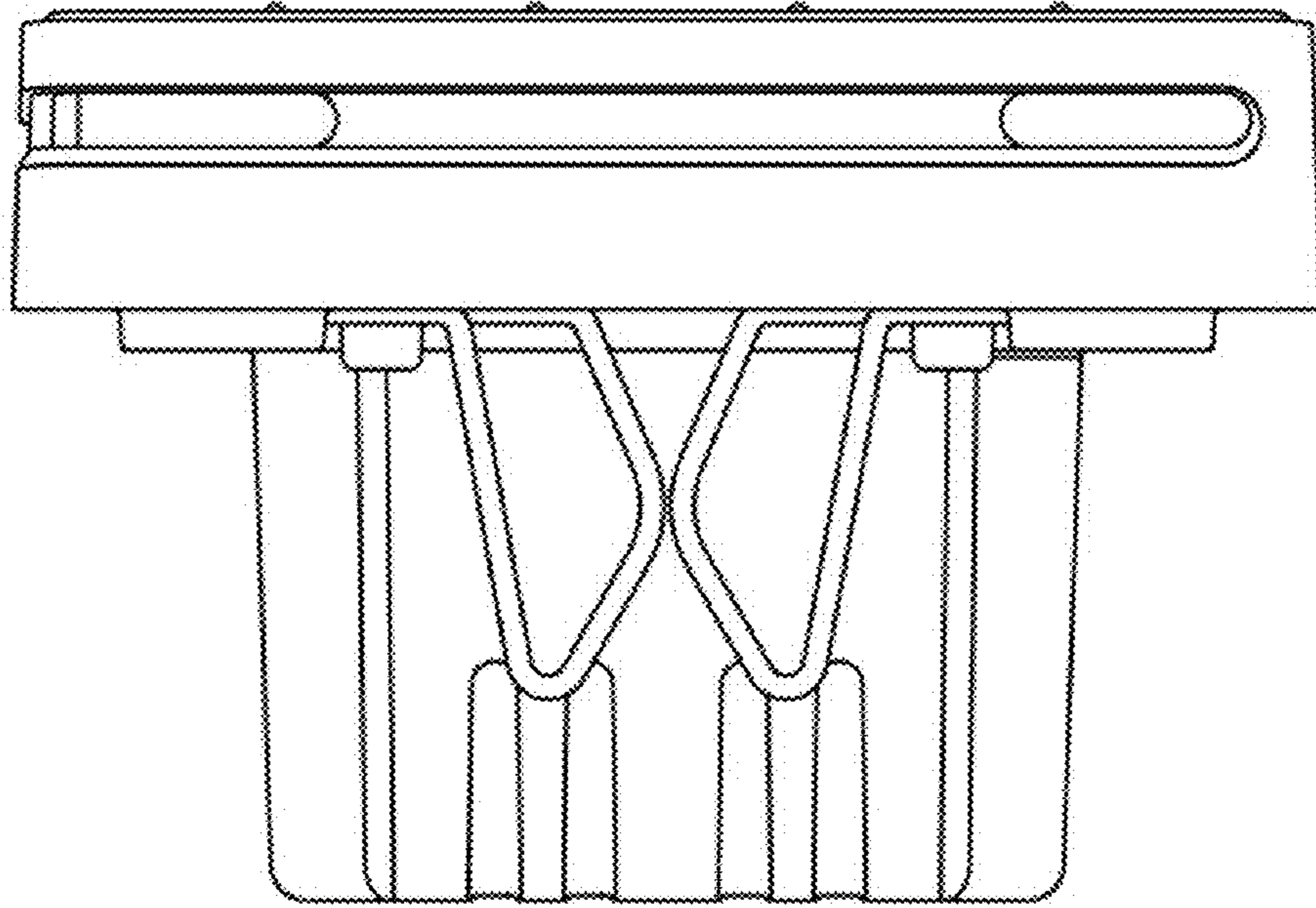


FIG. 5

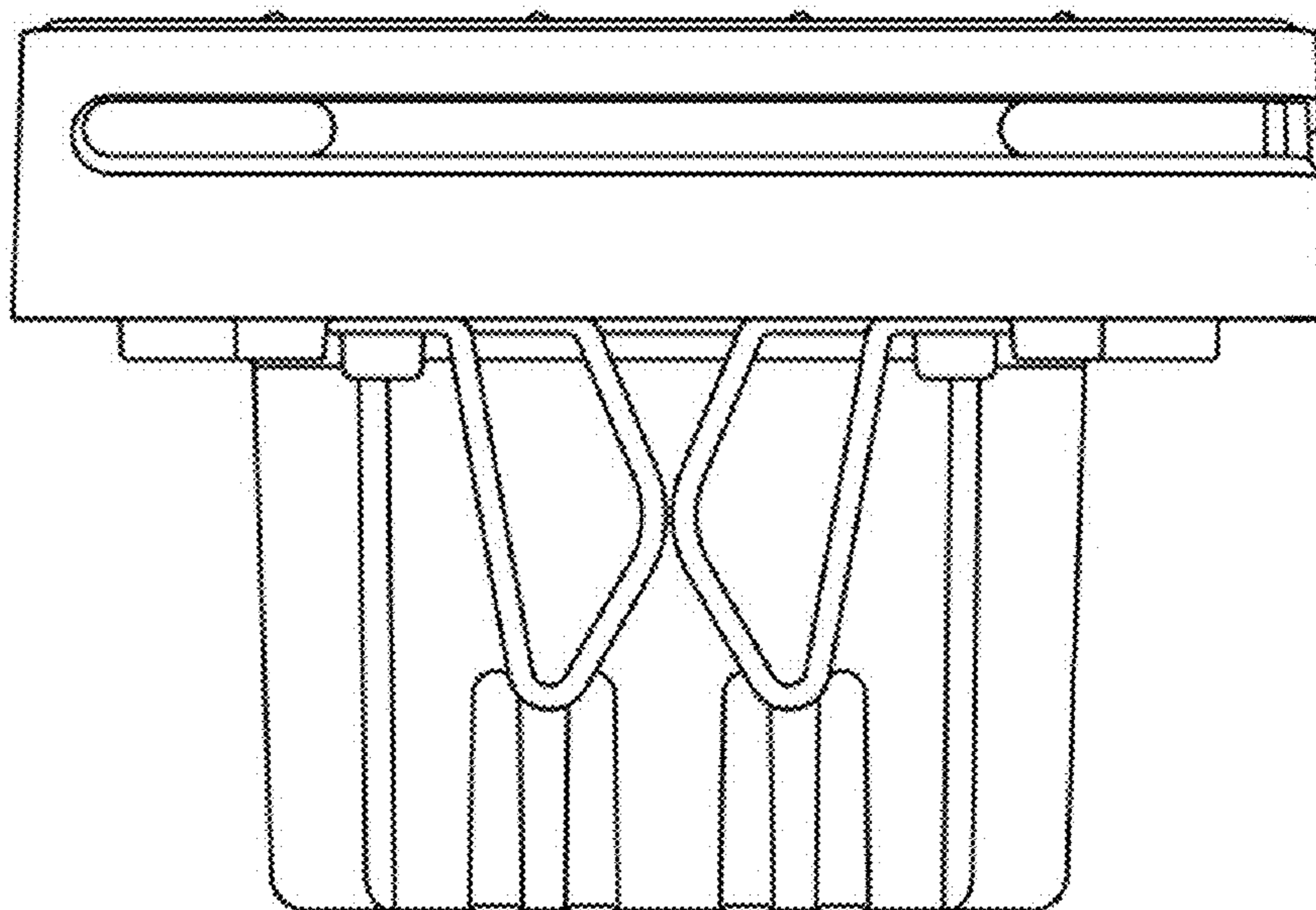


FIG. 6

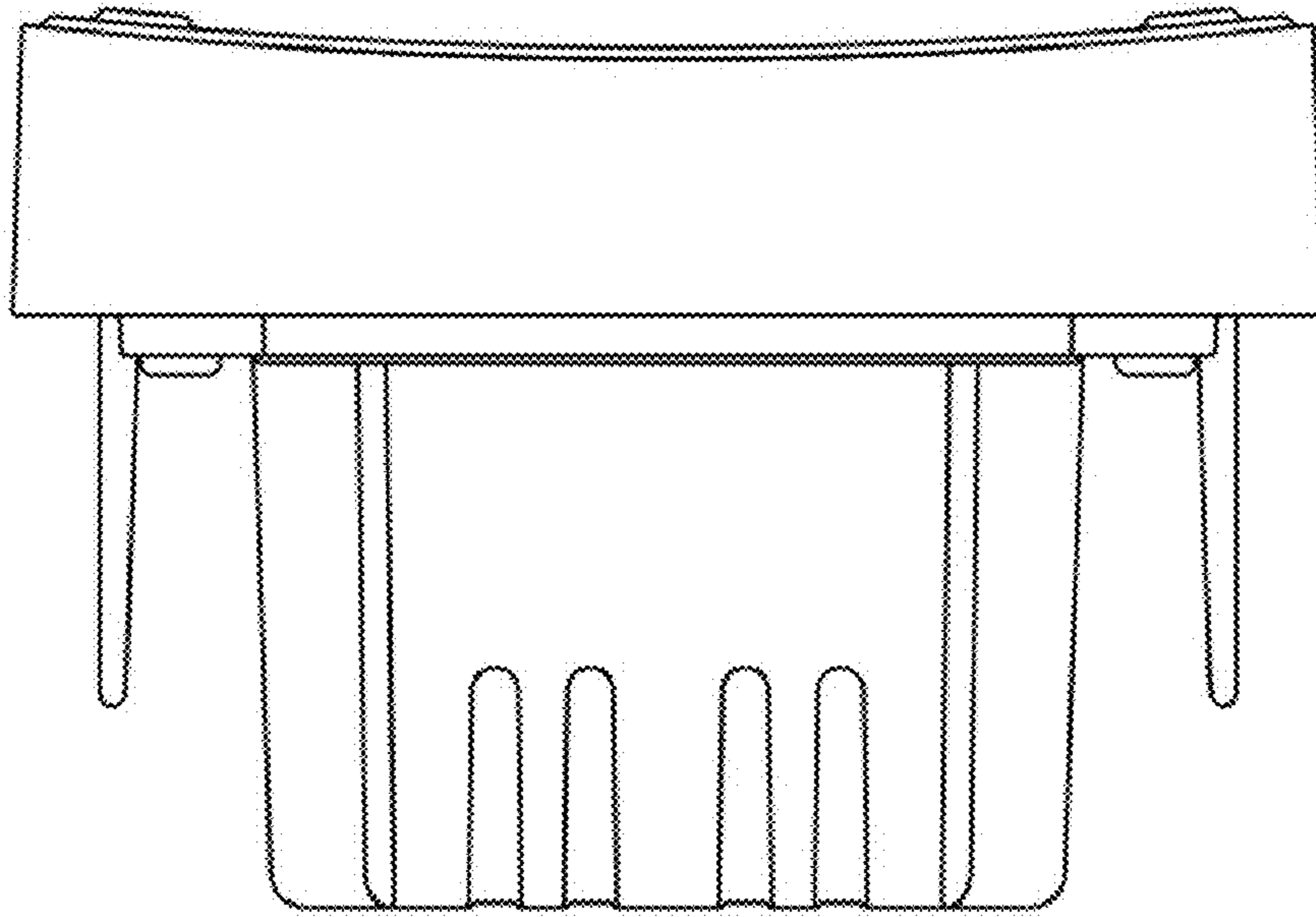


FIG. 7

