



US00D651528S

(12) **United States Design Patent**  
**Robbins, III et al.**

(10) **Patent No.:** **US D651,528 S**  
(45) **Date of Patent:** **\*\* Jan. 3, 2012**

(54) **MEASURING CONTAINER WITH LID**

(75) Inventors: **Edward S. Robbins, III**, Muscle Shoals,  
AL (US); **Susan R. Kavanaugh**,  
Florence, AL (US); **Ronald R. White**,  
Florence, AL (US)

(73) Assignee: **Edward S. Robbins, III**, Muscle Shoals,  
AL (US)

(\*\*) Term: **14 Years**

(21) Appl. No.: **29/396,485**

(22) Filed: **Jun. 30, 2011**

(51) **LOC (9) Cl.** ..... **10-04**

(52) **U.S. Cl.** ..... **D10/46.2; D7/629**

(58) **Field of Classification Search** ..... D10/46.2,  
D10/46.3; D7/629, 630, 612-615; D9/417,  
D9/414, 424-432; 220/281, 574, 574.1,  
220/662, 675, 780-802; 222/158, 173, 454-456,  
222/456.1

See application file for complete search history.

(56) **References Cited**

U.S. PATENT DOCUMENTS

|              |         |                |       |          |
|--------------|---------|----------------|-------|----------|
| D199,505 S * | 11/1964 | Swett          | ..... | D7/629   |
| D284,728 S * | 7/1986  | Trivison       | ..... | D7/629   |
| D311,665 S * | 10/1990 | Carlson        | ..... | D7/629   |
| D369,755 S * | 5/1996  | Burcham et al. | ..... | D10/46.2 |
| 5,518,152 A  | 5/1996  | Burcham et al. | ..... | 222/452  |
| D401,868 S * | 12/1998 | Robbins        | ..... | D10/46.2 |
| D403,601 S   | 1/1999  | Robbins, III   | ..... | D10/46.2 |
| D405,703 S   | 2/1999  | Robbins, III   | ..... | D10/46.2 |

|              |         |                |       |          |
|--------------|---------|----------------|-------|----------|
| D418,068 S   | 12/1999 | Robbins, III   | ..... | D10/46.2 |
| D511,655 S * | 11/2005 | Kim            | ..... | D7/629   |
| D528,374 S * | 9/2006  | Heiberg et al. | ..... | D7/629   |
| D543,467 S   | 5/2007  | Dorn           | ..... | D9/543   |
| D554,301 S * | 10/2007 | Fick           | ..... | D7/629   |

\* cited by examiner

*Primary Examiner* — Terry Wallace

(74) *Attorney, Agent, or Firm* — Brinks Hofer Gilson & Lione

(57) **CLAIM**

We claim the ornamental design for a measuring container with lid, as shown and described.

**DESCRIPTION**

FIG. 1 is a side elevation view of a measuring container with lid of the present invention, the opposite side being a mirror image thereof.

FIG. 2 is a front elevation view of the measuring container with lid taken from the left side of FIG. 1.

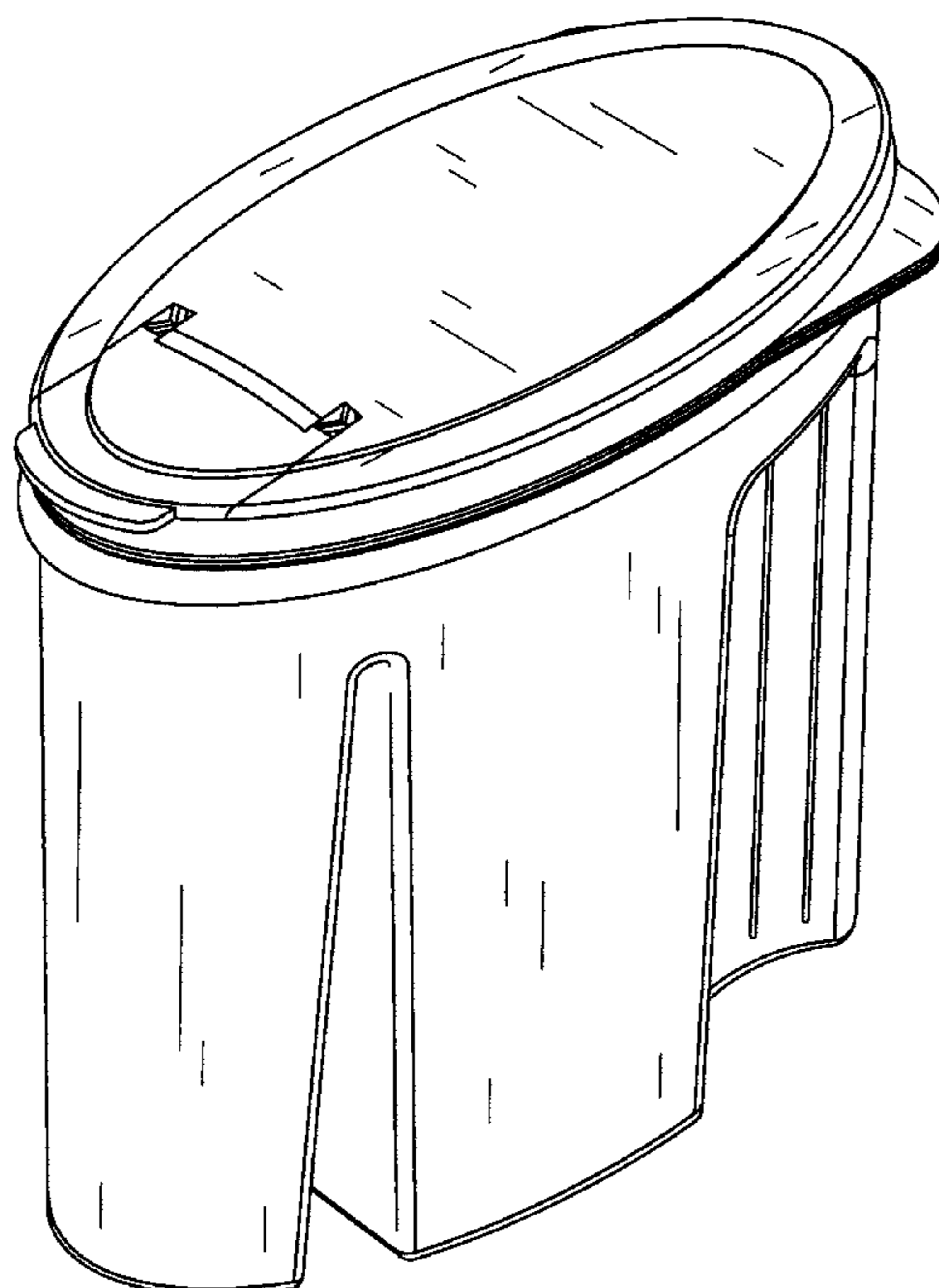
FIG. 3 is a back elevation view of the measuring container with lid taken from the right side of FIG. 1.

FIG. 4 is a top plan view of the measuring container with lid shown in the previous Figures.

FIG. 5 is a bottom plan view of the measuring container with lid shown in the previous Figures; and,

FIG. 6 is a perspective view of the measuring container with lid shown in the previous Figures.

**1 Claim, 4 Drawing Sheets**



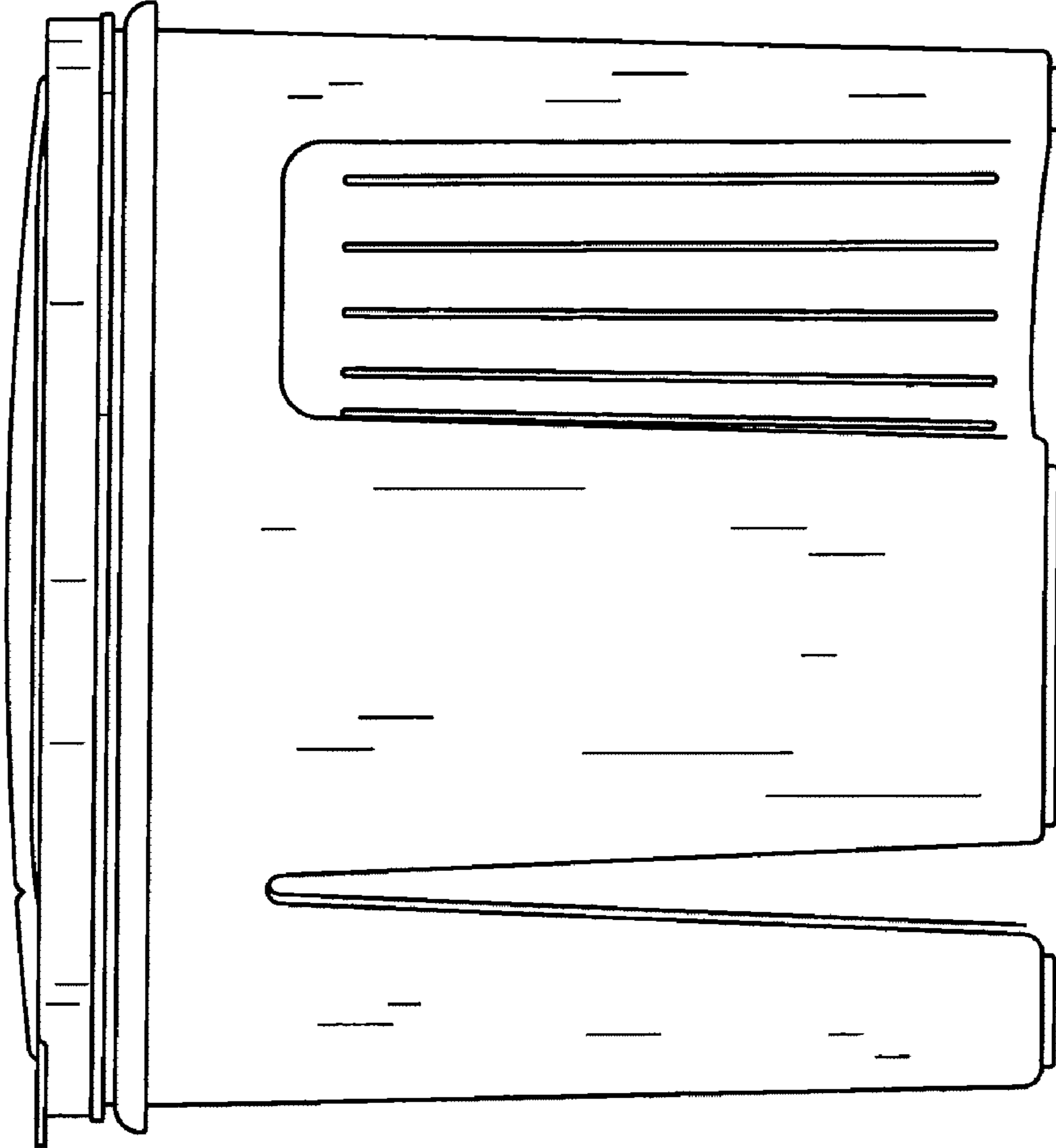


FIG. 1

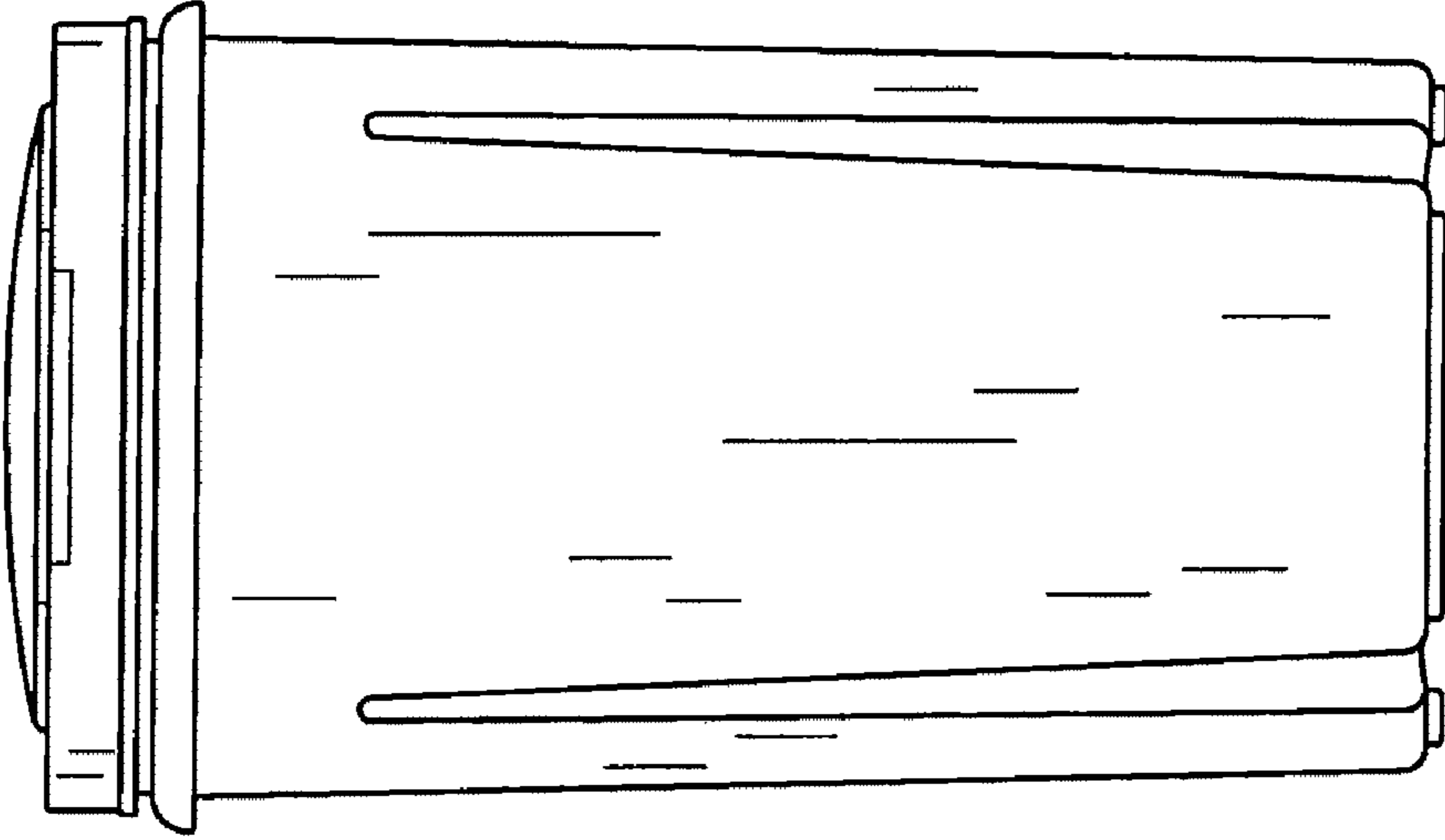


FIG. 2

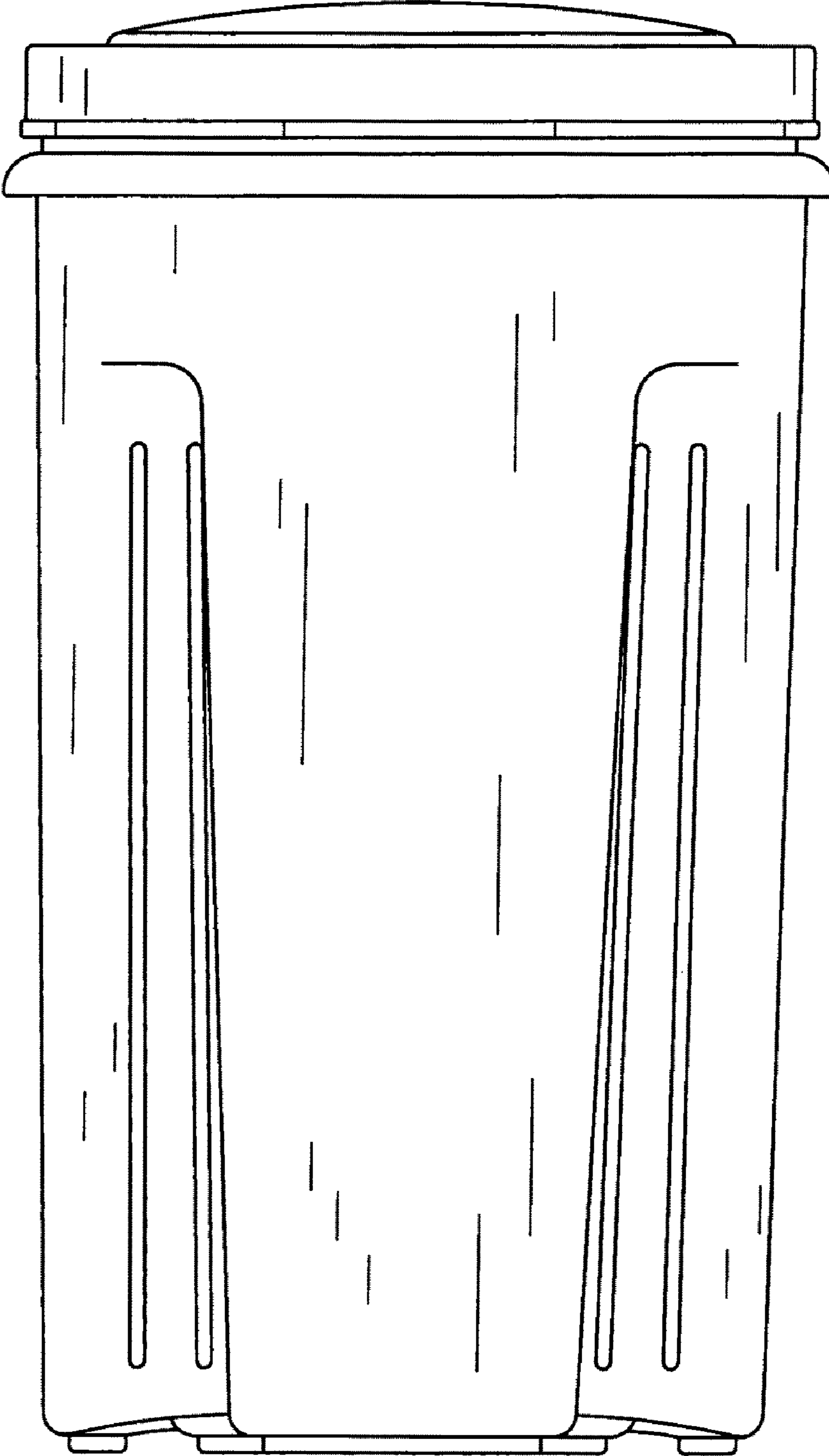


FIG. 3

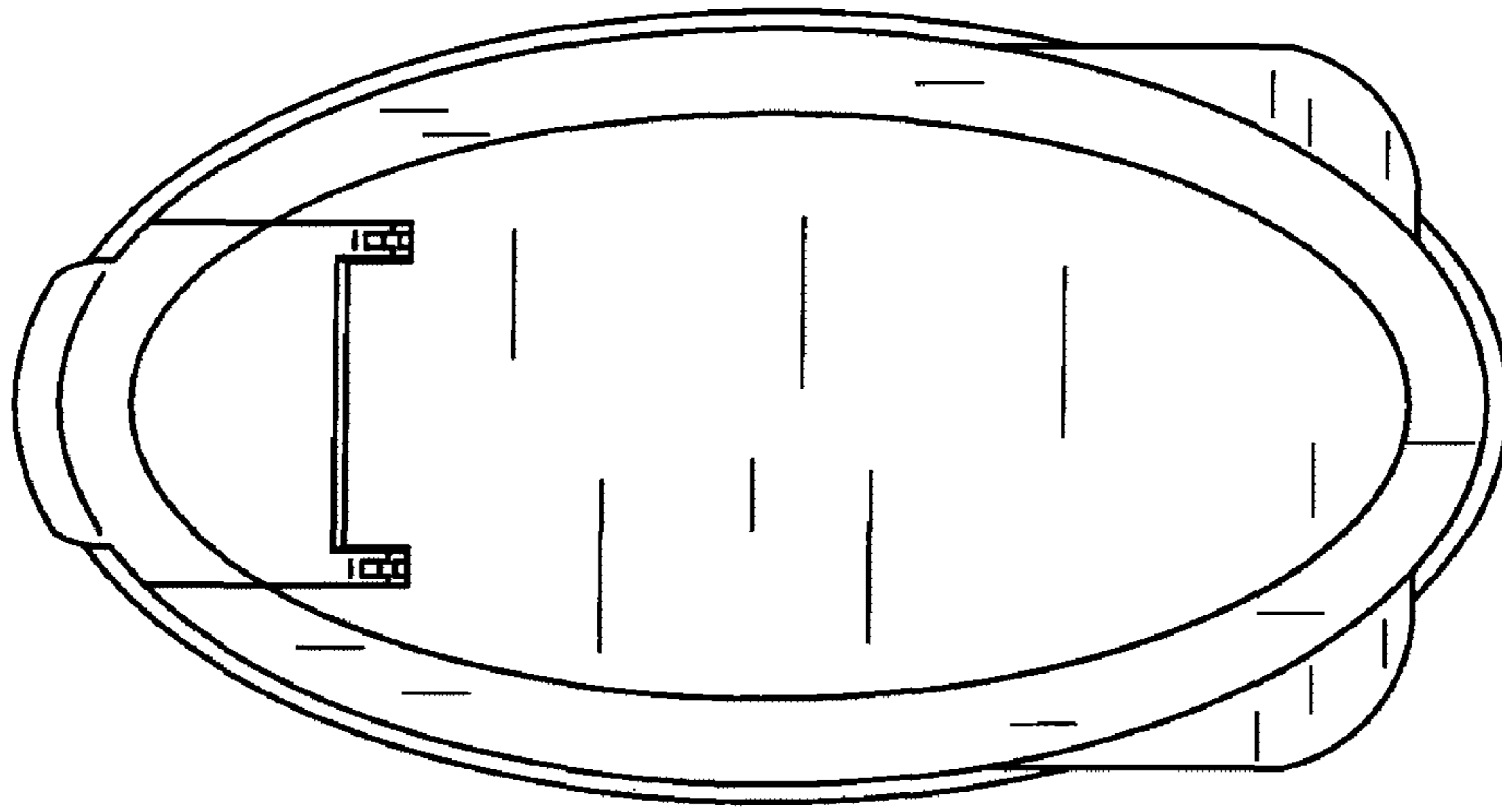


FIG. 4

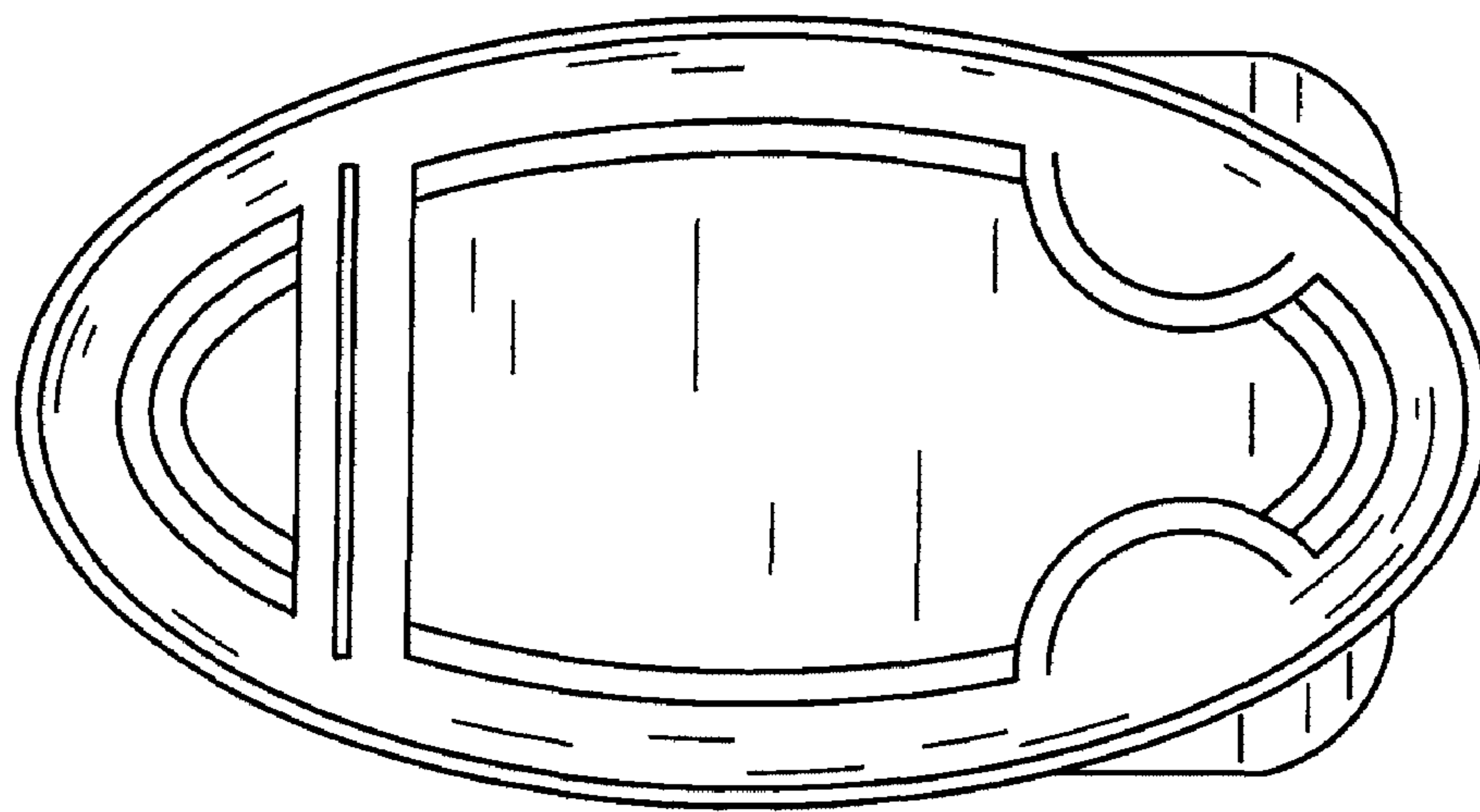


FIG. 5

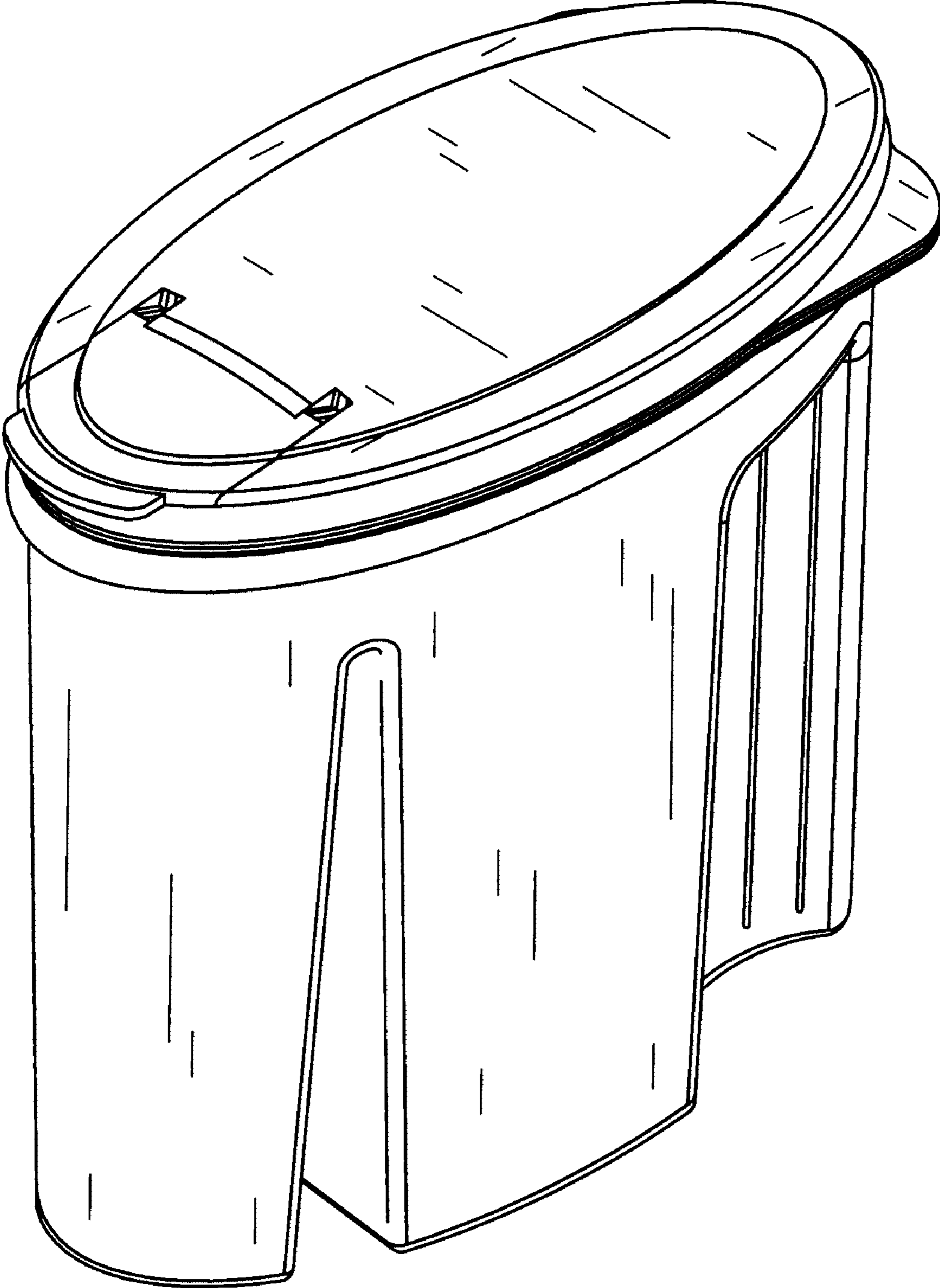


FIG. 6