



US00D651526S

(12) **United States Design Patent**
Hu et al.

(10) **Patent No.:** **US D651,526 S**
(45) **Date of Patent:** **** Jan. 3, 2012**

(54) **CONTAINER**

(75) Inventors: **Jianwen Hu**, Nashotah, WI (US);
Randy Szarzynski, Maple Plain, MN
(US); **Nancy Shea**, Lake Forest, IL (US);
Mike Store, Bloomington, MN (US)

(73) Assignee: **Silgan Containers LLC**, Woodland
Hills, CA (US)

(**) Term: **14 Years**

(21) Appl. No.: **29/352,897**

(22) Filed: **Dec. 29, 2009**

(51) **LOC (9) Cl.** **09-02**

(52) **U.S. Cl.** **D9/773**

(58) **Field of Classification Search** D9/500,
D9/502-505, 516, 537-539, 545, 549, 556,
D9/686, 688-692, 763-779; 206/459.1,
206/497, 505, 515; 220/660, 669-673, 675;
215/379, 381-384; D26/6; D11/143, 146,
D11/152-154; D99/5

See application file for complete search history.

(56) **References Cited**

U.S. PATENT DOCUMENTS

D2,820 S	11/1867	Barry
D22,751 S	8/1893	Lanning
D24,991 S	12/1895	Estes
D25,941 S	8/1896	Lindgren
566,067 A	8/1896	Duck
D28,732 S	5/1898	Cook
D28,842 S	6/1898	Griffith
D38,167 S	8/1906	Wintermann
829,477 A	8/1906	Kruse
1,013,775 A	1/1912	Hoffman
D56,181 S	8/1920	Lewis
D67,869 S	7/1925	Boswell
D73,511 S	9/1927	Schrader
1,832,806 A	11/1931	Dawson
D98,420 S	2/1936	Deskey

D101,728 S	10/1936	Bennett
D120,226 S	4/1940	Lundy
D120,587 S	5/1940	Hinkins
D124,645 S	1/1941	Palmer
D124,880 S	1/1941	Teunisz
2,252,915 A	8/1941	Conill
D129,604 S	9/1941	Forgue
D185,649 S	7/1959	Schlumbohm
3,297,194 A	1/1967	Schaper et al.
D207,133 S	3/1967	Stenger
3,317,110 A	5/1967	Palmer

(Continued)

FOREIGN PATENT DOCUMENTS

FR 2584680 1/1987

(Continued)

OTHER PUBLICATIONS

U.S. Appl. No. 29/302,067, filed Jan. 9, 2008, Millspaw et al.

(Continued)

Primary Examiner — Thomas Johannes

(74) *Attorney, Agent, or Firm* — Reinhart Boerner Van
Deuren s.c.

(57) **CLAIM**

We claim the ornamental design for a container, as shown and
described.

DESCRIPTION

FIG. 1 is a perspective view of a container showing our new
design;

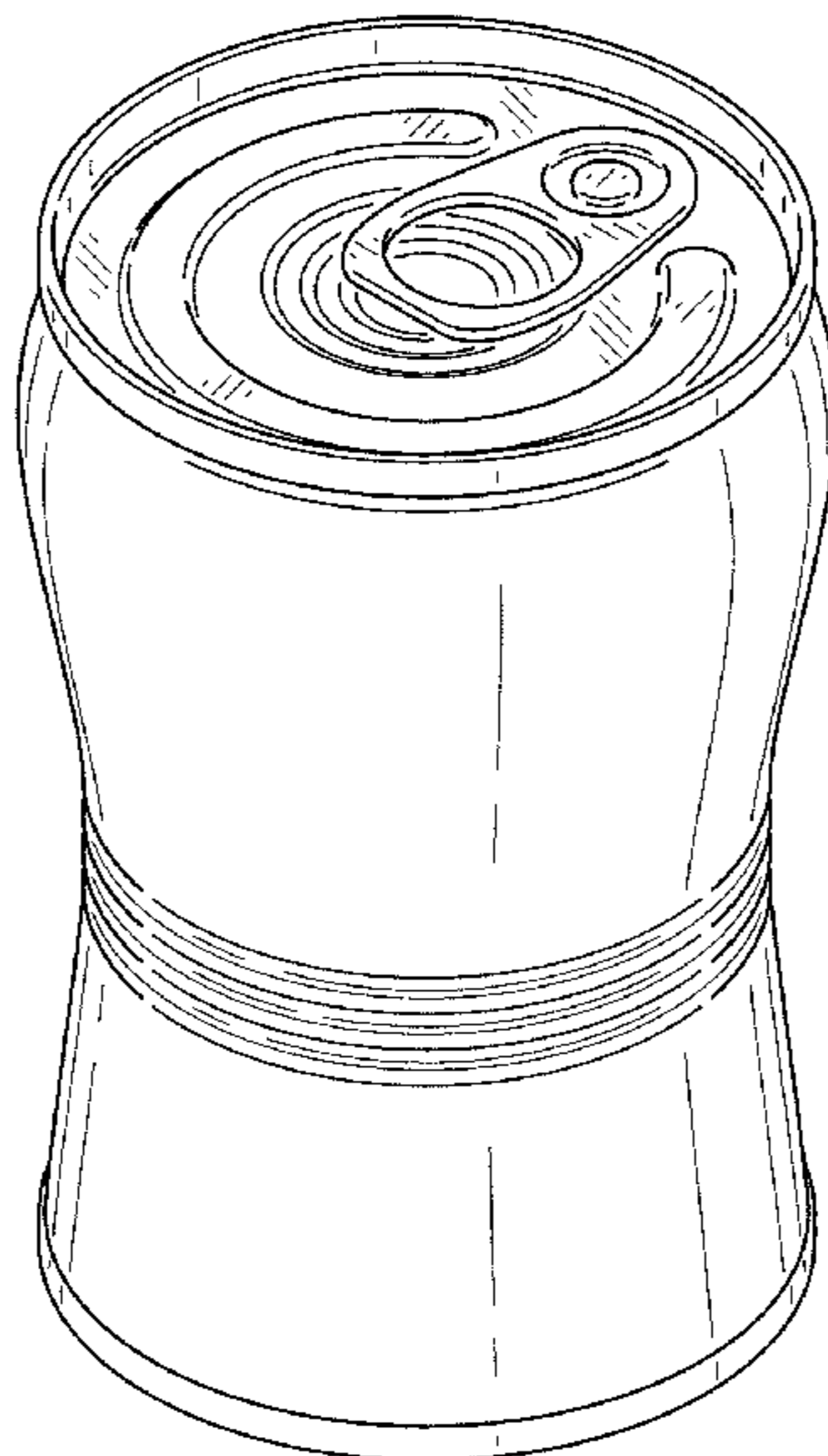
FIG. 2 is a front view thereof, with the rear, left, and right side
views being the same;

FIG. 3 is a top view thereof; and,

FIG. 4 is a bottom view thereof.

The broken lines in the drawings show unclaimed subject
matter only and form no part of the claimed design.

1 Claim, 3 Drawing Sheets



US D651,526 S

U.S. PATENT DOCUMENTS							
3,349,987	A	10/1967	Weitzner	D448,666	S	10/2001	Fields
3,648,884	A	3/1972	Mansolino	D448,671	S	10/2001	Gans et al.
D224,642	S	8/1972	Mascia et al.	D448,672	S	10/2001	Cheng et al.
D226,176	S	1/1973	Bystedt	D448,675	S	10/2001	Thierjung
D227,863	S	7/1973	Mascia	D448,677	S	10/2001	Krich
D227,868	S	7/1973	Stanley	D449,539	S	10/2001	Lakatosh et al.
D228,229	S	8/1973	Mascia	D449,993	S	11/2001	Schumann
D231,087	S	4/1974	Edwards et al.	D450,244	S	11/2001	Rashid
D231,773	S	6/1974	Mascia	6,321,927	B2	11/2001	Cavella
D235,184	S	5/1975	Achenbach	D452,954	S	1/2002	Westphal
D237,853	S	12/1975	Katz	D453,003	S	1/2002	Rashid
4,010,860	A	3/1977	Garber	6,341,709	B1	1/2002	Wilson
D249,111	S	8/1978	Geyer	6,347,717	B1	2/2002	Eberle
D252,798	S	9/1979	Vosti et al.	D454,073	S	3/2002	Crawford
D288,527	S	3/1987	Maguire	D455,656	S	4/2002	Gans et al.
D299,426	S	1/1989	Andersson et al.	6,374,657	B1	4/2002	Kirk et al.
4,804,105	A	2/1989	Zysset et al.	D456,712	S	5/2002	Krich
D307,238	S	4/1990	May	D457,435	S	5/2002	Rashid
D317,405	S	6/1991	Yasika	6,398,052	B1	6/2002	Cheng et al.
5,040,698	A	8/1991	Ramsey et al.	6,419,874	B2	7/2002	Rashid et al.
D319,580	S	9/1991	Cassai et al.	D464,569	S	10/2002	Moore et al.
D320,153	S	9/1991	Cassai et al.	D465,158	S	11/2002	Peek et al.
5,052,573	A	10/1991	Zysset	D465,418	S	11/2002	Thierjung
D323,290	S	1/1992	Keedy, Jr.	D466,019	S	11/2002	Thierjung et al.
D357,413	S	4/1995	Kornick et al.	D466,021	S	11/2002	Thierjung et al.
D357,414	S	4/1995	Kornick et al.	D466,024	S	11/2002	Thierjung et al.
D365,021	S	12/1995	Park	D466,813	S	12/2002	Thierjung et al.
D373,084	S	8/1996	Choi	D466,817	S	12/2002	Thierjung et al.
D379,589	S	6/1997	Rhodes et al.	D469,360	S	1/2003	Moore et al.
D383,037	S	9/1997	Asberg	6,575,684	B2	6/2003	Heinicke et al.
5,711,448	A	1/1998	Clarke, III	D476,889	S	7/2003	Fields
5,720,412	A	2/1998	Ficken	D476,896	S	7/2003	Cheng et al.
5,722,561	A	3/1998	Biondich et al.	6,585,125	B1	7/2003	Peek
5,749,488	A	5/1998	Bagwell et al.	D478,286	S	8/2003	Futral et al.
D398,531	S	9/1998	DeVries	D478,287	S	8/2003	Corker et al.
D404,254	S	1/1999	Asberg	D479,999	S	9/2003	Moore
D404,970	S	2/1999	Asberg	D480,650	S	10/2003	Moore et al.
D408,221	S	4/1999	Asberg	D480,956	S	10/2003	Mooney et al.
5,957,647	A	9/1999	Hinton	D480,957	S	10/2003	Mooney et al.
5,988,416	A	11/1999	Cheng et al.	D481,317	S	10/2003	Corker et al.
5,988,417	A	11/1999	Cheng et al.	D484,808	S	1/2004	Thierjung et al.
6,062,409	A	5/2000	Eberle	D485,182	S	1/2004	Gaydon
6,092,688	A	7/2000	Eberle et al.	6,685,417	B2	2/2004	Heinicke et al.
D429,151	S	8/2000	Cheng et al.	D489,983	S	5/2004	Futral et al.
D429,164	S	8/2000	Peek et al.	D489,984	S	5/2004	Futral et al.
6,095,360	A	8/2000	Shmagin et al.	D490,317	S	5/2004	Chang
6,123,211	A	9/2000	Rashid et al.	D491,288	S	6/2004	Young
D431,465	S	10/2000	Cheng et al.	D493,370	S	7/2004	Kamineni et al.
D431,470	S	10/2000	Henderson	D494,475	S	8/2004	Thierjung et al.
D432,423	S	10/2000	Rashid	6,769,561	B2	8/2004	Futral et al.
D432,424	S	10/2000	Andrew	D498,143	S	11/2004	Rashid
6,131,761	A	10/2000	Cheng et al.	D502,396	S	3/2005	Frisch et al.
D435,455	S	12/2000	Gans	6,877,607	B2	4/2005	Jenkins
6,161,713	A	12/2000	Krich	6,889,862	B2	5/2005	Vaughan
6,164,474	A	12/2000	Cheng et al.	D507,485	S	7/2005	Fields
6,164,480	A	12/2000	Heinicke et al.	D510,024	S	9/2005	Jacober et al.
D437,229	S	2/2001	Andrew	D511,458	S	11/2005	Dunwoody et al.
D437,230	S	2/2001	Andrew	D512,917	S	12/2005	Frisch et al.
6,206,222	B1	3/2001	Cudzik	D517,417	S	3/2006	Livingston et al.
D440,498	S	4/2001	Buxton et al.	D522,371	S	6/2006	Livingston
6,213,325	B1	4/2001	Cheng et al.	D523,341	S	6/2006	Livingston et al.
6,220,475	B1	4/2001	Nayar et al.	D523,347	S	6/2006	Livingston
D441,295	S	5/2001	Krich	D525,129	S	7/2006	Hutter et al.
6,230,912	B1	5/2001	Rashid	D525,139	S	7/2006	Livingston et al.
D445,337	S	* 7/2001	Croft et al. D9/504	D525,530	S	7/2006	Livingston et al.
D445,339	S	7/2001	Bazlur	7,108,469	B2	9/2006	Jenkins
D445,693	S	7/2001	Rashid	7,112,771	B2	9/2006	Richardson et al.
D445,694	S	7/2001	Gans	D529,822	S	10/2006	Munn
D446,455	S	8/2001	McGowan	D530,614	S	10/2006	Gatewood
D446,458	S	8/2001	Gans	D532,306	S	11/2006	MacLeod et al.
D447,061	S	8/2001	Peek	7,134,565	B1	11/2006	Wan et al.
6,280,679	B1	8/2001	Rashid et al.	D533,783	S	12/2006	Klinger et al.
D447,422	S	9/2001	Peek	D534,079	S	12/2006	Livingston
D447,693	S	9/2001	Warner et al.	D534,428	S	1/2007	Reed et al.
D448,302	S	9/2001	Cheng et al.	D536,262	S	2/2007	Ioannides et al.
D448,303	S	9/2001	Cheng et al.	D536,263	S	2/2007	Ioannides et al.
D448,304	S	9/2001	Cheng et al.	D536,264	S	2/2007	Ioannides et al.
6,294,131	B1	9/2001	Jaffrey	D538,645	S	3/2007	McDowell et al.
				D538,646	S	3/2007	McDowell et al.

D538,660	S	3/2007	Gatewood	
D540,194	S	4/2007	Cummings	
7,198,168	B2	4/2007	Mizuma	
D542,130	S	5/2007	McDowell et al.	
D542,650	S	5/2007	McDowell et al.	
D543,845	S	6/2007	Ioannides et al.	
D546,183	S	7/2007	Clutter	
7,243,808	B2	7/2007	Livingston et al.	
D548,111	S	8/2007	Ioannides et al.	
D548,528	S	8/2007	Cha et al.	
D549,596	S	8/2007	Ioannides et al.	
D555,514	S	11/2007	Munn	
D559,120	S	1/2008	Farrow et al.	
D559,121	S	1/2008	Farrow et al.	
D562,685	S	2/2008	Millspaw et al.	
D587,137	S	2/2009	Hayden et al.	
D588,016	S	3/2009	Ziegler	
D588,017	S	3/2009	Ziegler et al.	
D588,018	S	3/2009	Metzger et al.	
D588,019	S	3/2009	Diss	
D588,020	S	3/2009	VanScoyoc et al.	
D588,021	S	3/2009	Ziegler et al.	
D596,500	S	7/2009	Diss	
D596,501	S	7/2009	Diss et al.	
D596,502	S	7/2009	Diss et al.	
D596,503	S	7/2009	Diss	
D596,504	S	7/2009	Diss	
D596,505	S	7/2009	Diss et al.	
D596,955	S	7/2009	Diss et al.	
D596,956	S	7/2009	Diss et al.	
D596,957	S	7/2009	Diss	
D596,958	S	7/2009	Diss et al.	
D599,677	S	9/2009	Ziegler et al.	
D599,678	S	9/2009	Ziegler et al.	
D611,838	S *	3/2010	Metzger et al.	D9/776
D613,617	S *	4/2010	Metzger et al.	D9/776
D619,022	S *	7/2010	Diss	D9/776
D620,377	S *	7/2010	Diss	D9/776
D632,189	S *	2/2011	Diss et al.	D9/774
2001/0002671	A1	6/2001	Heinicke et al.	
2001/0009107	A1	7/2001	Cheng et al.	
2001/0009244	A1	7/2001	Cheng et al.	
2002/0172578	A1	11/2002	Heinicke et al.	
2005/0082299	A1	4/2005	Jenkins	
2006/0131257	A1	6/2006	Gatewood et al.	
2006/0186082	A1	8/2006	Gatewood et al.	
2007/0012648	A1	1/2007	Gatewood	
2007/0068943	A1	3/2007	Ramsey et al.	
2007/0102425	A1	5/2007	Richardson et al.	
2007/0108196	A1	5/2007	Richardson et al.	
2007/0108197	A1	5/2007	Richardson et al.	
2007/0108198	A1	5/2007	Richardson et al.	
2007/0138181	A1	6/2007	Heinicke et al.	
2009/0212004	A1 *	8/2009	Metzger et al.	215/382
2009/0218349	A1 *	9/2009	Metzger et al.	220/316

FOREIGN PATENT DOCUMENTS

WO	DM/046294	10/1998
WO	DM/051799	3/2000

OTHER PUBLICATIONS

U.S. Appl. No. 29/312,033, filed May 12, 2008, Murphy et al.
 U.S. Appl. No. 29/318,021, filed May 12, 2008, Takata et al.
 U.S. Appl. No. 29/318,022, filed May 12, 2008, Murphy et al.
 U.S. Appl. No. 29/318,023, filed May 12, 2008, Diss.
 U.S. Appl. No. 29/318,024, filed May 12, 2008, Diss.
 U.S. Appl. No. 29/318,025, filed May 12, 2008, Diss.
 U.S. Appl. No. 29/318,026, filed May 12, 2008, Takata et al.
 U.S. Appl. No. 29/318,027, filed May 12, 2008, Diss.
 U.S. Appl. No. 29/318,029, filed May 12, 2008, Takata et al.
 U.S. Appl. No. 29/318,036, filed May 12, 2008, Murphy et al.
 U.S. Appl. No. 29/318,041, filed May 12, 2008, Takata et al.
 U.S. Appl. No. 29/331,956, filed Feb. 5, 2009, Hu.
 U.S. Appl. No. 29/331,957, filed Feb. 5, 2009, Hu.
 U.S. Appl. No. 29/332,322, filed Feb. 12, 2009, Diss.
 U.S. Appl. No. 29/332,323, filed Feb. 12, 2009, Metzger et al.
 U.S. Appl. No. 29/332,328, filed Feb. 12, 2009, Metzger et al.
 U.S. Appl. No. 29/332,329, filed Feb. 12, 2009, VanScoyoc et al.
 U.S. Appl. No. 29/332,379, filed Feb. 13, 2009, Ziegler.
 U.S. Appl. No. 29/332,382, filed Feb. 13, 2009, Ziegler et al.
 U.S. Appl. No. 29/333,068, filed Mar. 2, 2009, Diss et al.
 U.S. Appl. No. 29/333,068, filed Mar. 2, 2009, Diss.
 U.S. Appl. No. 29/335,885, filed Jun. 16, 2009, Metzger et al.
 U.S. Appl. No. 29/338,649, filed Jun. 16, 2009, Diss.
 U.S. Appl. No. 29/338,651, filed Jun. 16, 2009, Diss et al.
 U.S. Appl. No. 29/338,652, filed Jun. 16, 2009, Diss et al.
 U.S. Appl. No. 29/338,654, filed Jun. 16, 2009, Diss et al.
 U.S. Appl. No. 29/338,656, filed Jun. 16, 2009, Diss.
 U.S. Appl. No. 29/338,659, filed Jun. 16, 2009, Diss.
 U.S. Appl. No. 29/338,660, filed Jun. 16, 2009, Diss.
 U.S. Appl. No. 29/338,661, filed Jun. 16, 2009, Diss et al.
 U.S. Appl. No. 29/338,665, filed Jun. 16, 2009, Diss et al.
 U.S. Appl. No. 29/338,667, filed Jun. 16, 2009, Diss et al.
 U.S. Appl. No. 29/338,669, filed Jun. 16, 2009, Diss et al.
 U.S. Appl. No. 29/338,670, filed Jun. 16, 2009, Diss et al.
 U.S. Appl. No. 29/343,210, filed Sep. 9, 2009, Murphy.
 U.S. Appl. No. 29/344,043, filed Sep. 22, 2009, Jianwen.
 U.S. Appl. No. 29/344,029, filed Sep. 22, 2009, Ziegler.
 U.S. Appl. No. 29/344,032, filed Sep. 22, 2009, Metzger et al.
 U.S. Appl. No. 29/344,041, filed Sep. 22, 2009, Van Scoyoc et al.
 U.S. Appl. No. 29/344,035, filed Sep. 22, 2009, Metzger et al.
 U.S. Appl. No. 29/344,036, filed Sep. 22, 2009, Diss.
 Soudronic Image believed to be available by Apr. 24, 2007 (1 pg.).
 Photograph of Can developed by Assignee at least by Aug. 4, 2006 (1 pg.).
 Engineering Drawing of Cans developed by Assignee at least by Jul. 12, 2006 (1 pg.).
 "The Revolutionary Stretching Technology" brochure, believed to be available by 2001 at www.canstretch.com, (1 pg).
 "Stretch Machine" brochure, believed to be available by 2001 at www.canstretch.com, (1 pg).
 Photograph of Six Cans, believed to be available by 2001 at www.canstretch.com, (1 pg).

* cited by examiner

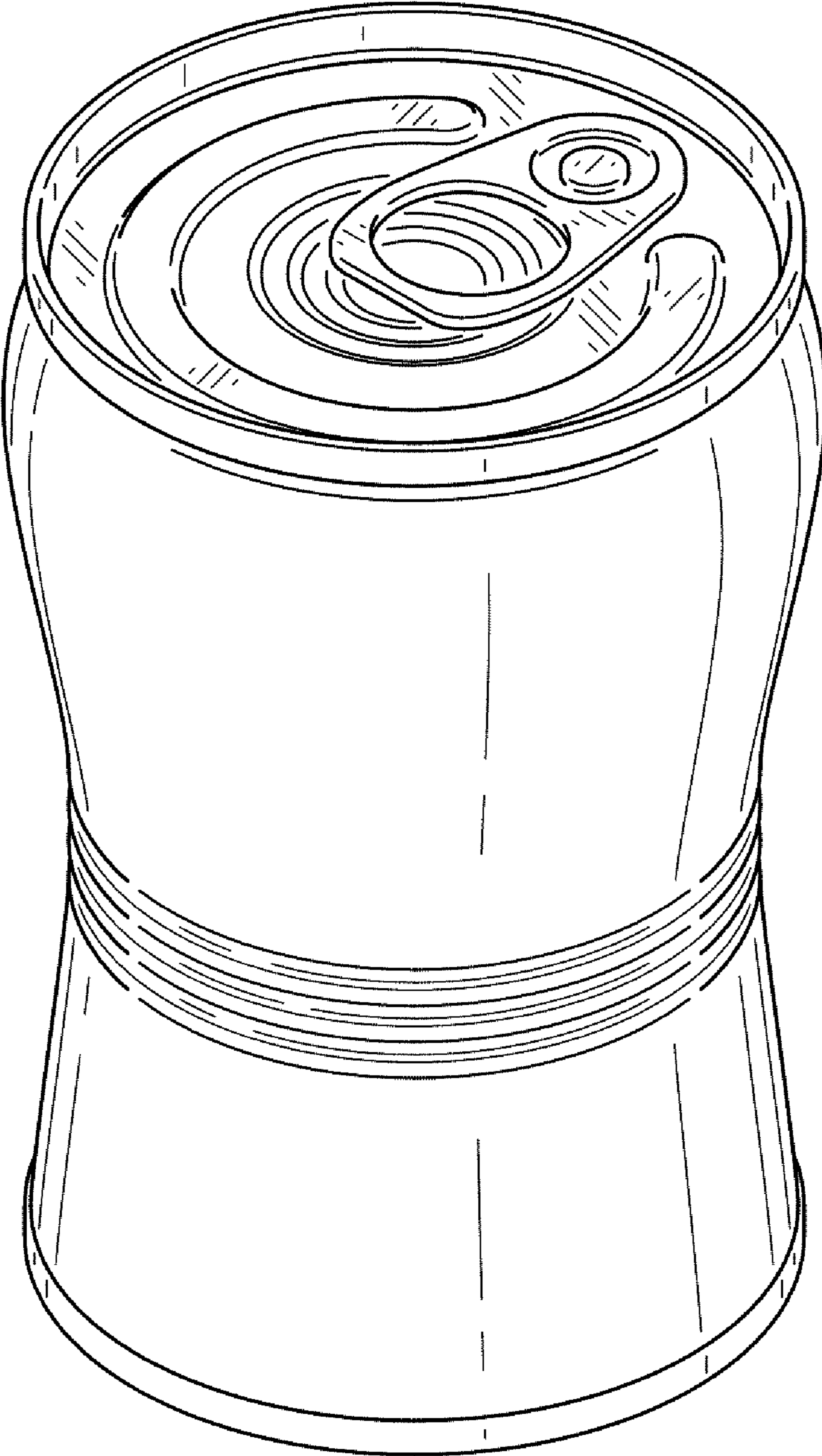


FIG. 1

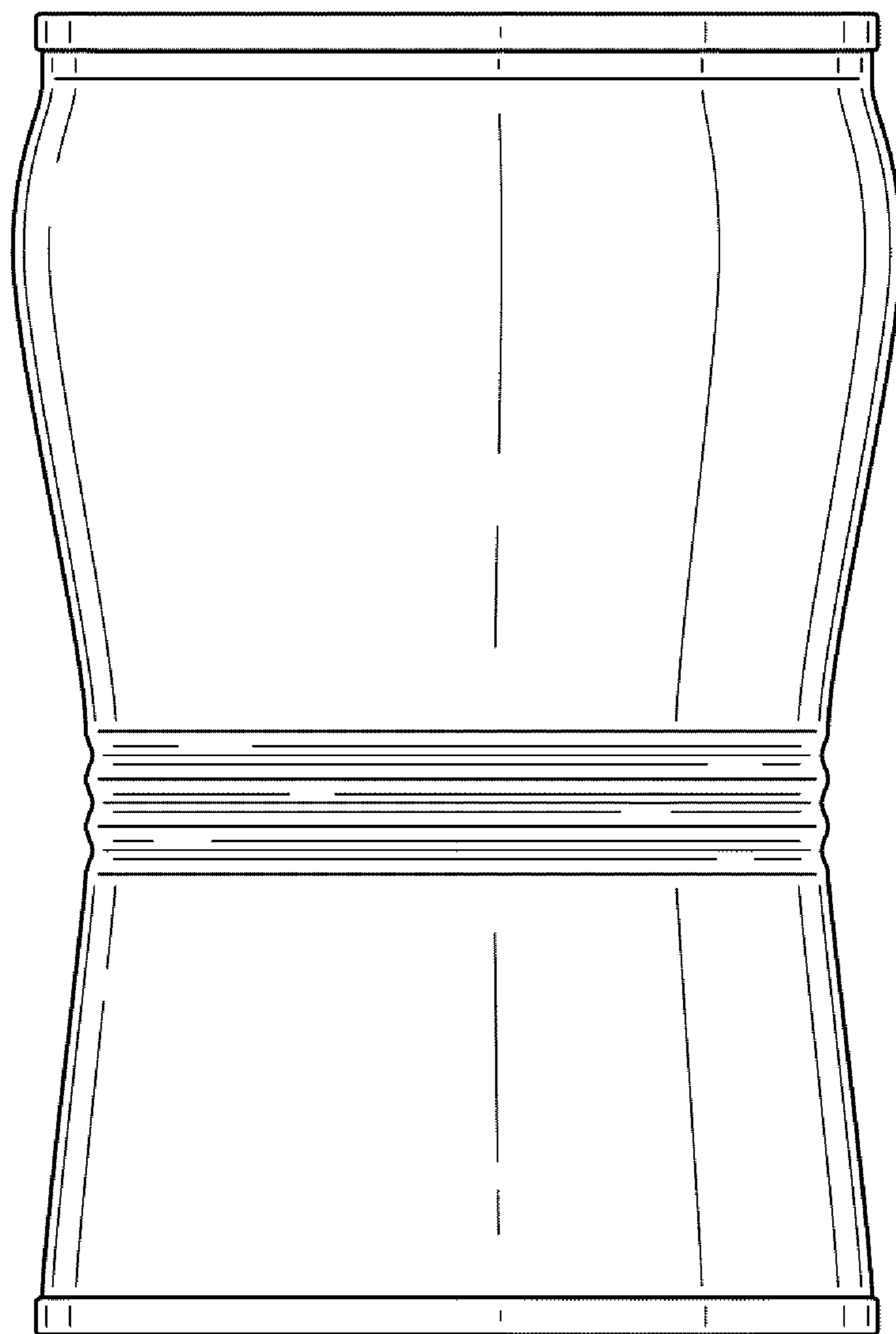


FIG. 2

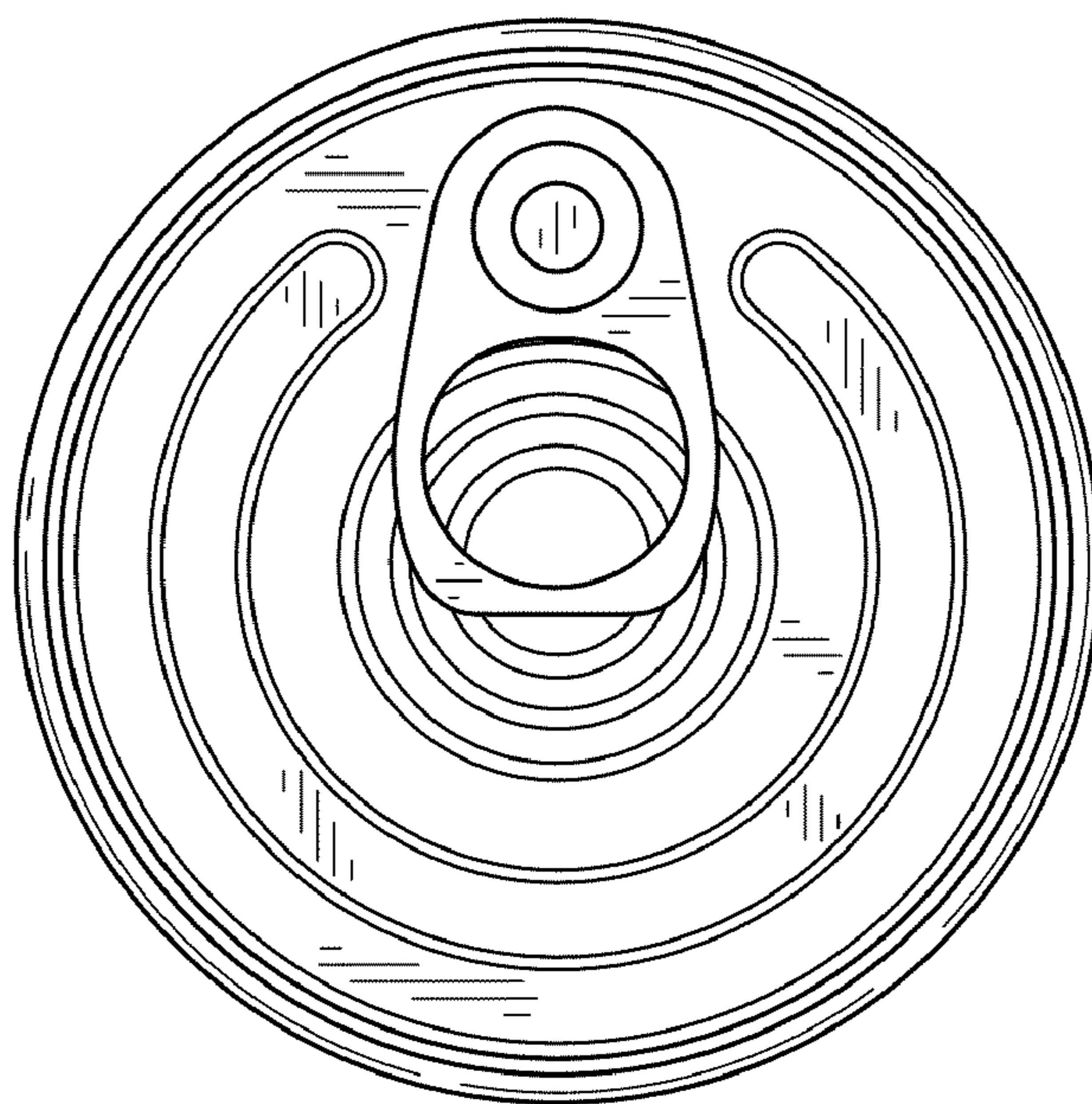


FIG. 3

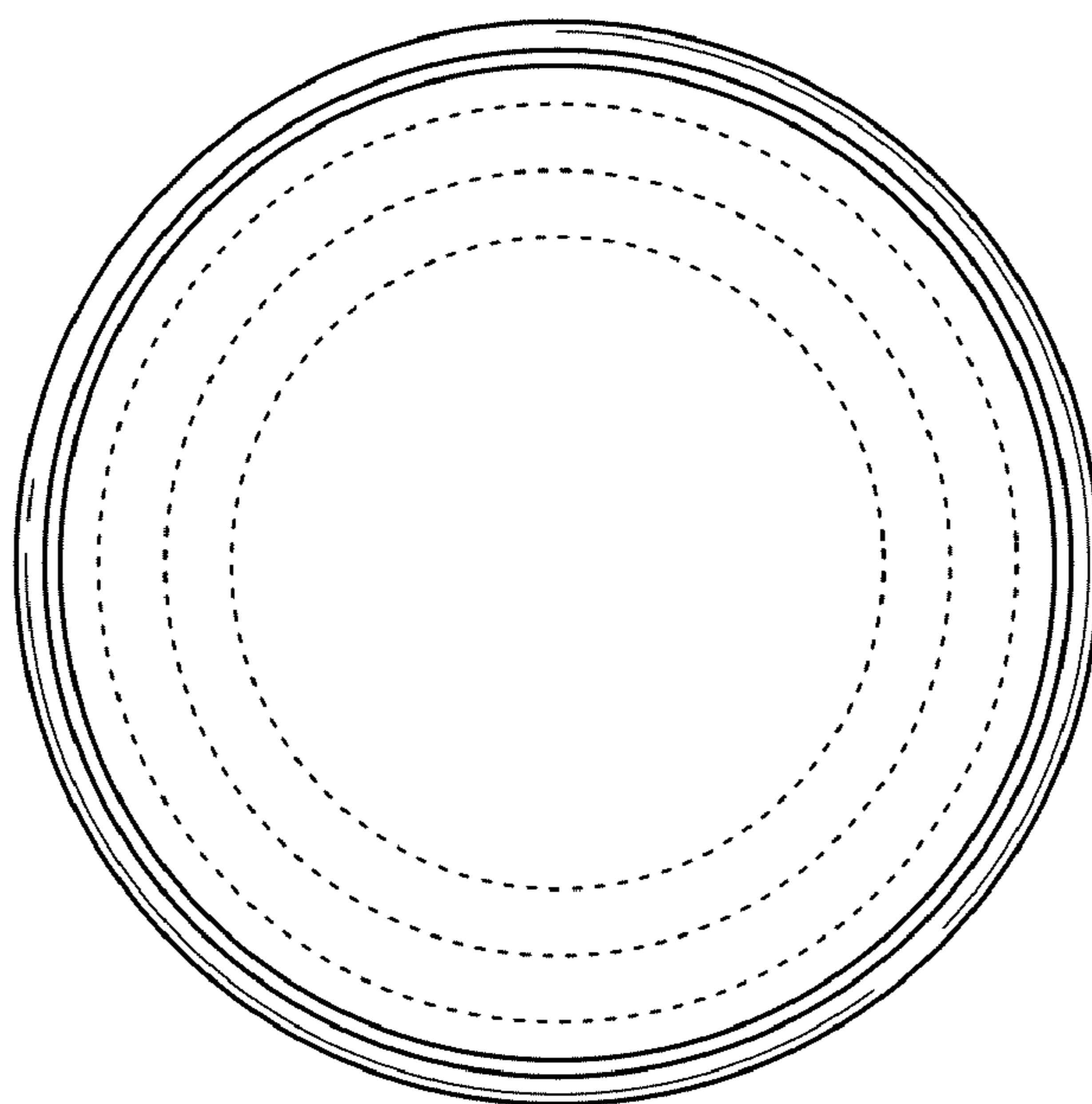


FIG. 4