



US00D651525S

(12) **United States Design Patent**
Chin et al.

(10) **Patent No.:** **US D651,525 S**
(45) **Date of Patent:** **** *Jan. 3, 2012**

(54) **BOX FOR COSMETICS**

(75) Inventors: **Henry Young Chin**, Portland, OR (US);
Niklas Gustavsson, Portland, OR (US);
Michael Remus, Heidelberg (DE);
Martin Zethoff, Mühltal (DE)

(73) Assignee: **The Procter & Gamble Company**,
Cincinnati, OH (US)

(*) Notice: This patent is subject to a terminal disclaimer.

(**) Term: **14 Years**

(21) Appl. No.: **29/255,194**

(22) Filed: **Mar. 6, 2006**

Related U.S. Application Data

(63) Continuation of application No. 29/243,566, filed on Nov. 28, 2005, now abandoned.

(30) **Foreign Application Priority Data**

Jun. 8, 2005 (EM) 000356019

(51) **LOC (9) Cl.** **09-03**

(52) **U.S. Cl.** **D9/734**

(58) **Field of Classification Search** D9/730,
D9/734, 736, 414, 420-425, 430, 432, 512,
D9/515, 518, 523; D3/903; 206/384, 494;
221/33, 45, 63, 282, 244; 222/92, 99, 101,
222/526, 528, 532, 541.1, 542, 564

See application file for complete search history.

(56) **References Cited**

U.S. PATENT DOCUMENTS

3,967,756 A 7/1976 Barish
3,982,659 A 9/1976 Ross
3,994,417 A 11/1976 Boedecker

D244,583 S 6/1977 Barish
D249,470 S 9/1978 Kohn
D250,807 S 1/1979 Mclivain
4,458,810 A 7/1984 Mahoney
D290,227 S 6/1987 Zutler
D295,830 S 5/1988 Holly
D295,961 S 5/1988 Holly
D330,765 S 11/1992 Laws
D371,708 S * 7/1996 Haley et al. D6/518
5,542,567 A * 8/1996 Julius 221/63
D374,774 S 10/1996 Cassel
5,699,912 A 12/1997 Ishikawa et al.
5,772,059 A 6/1998 McCord
D414,637 S 10/1999 Amundson et al.
D421,901 S 3/2000 Hill
D442,081 S 5/2001 Paul

(Continued)

OTHER PUBLICATIONS

U.S. Appl. No. 29/242,799, filed Nov. 15, 2005, Chin et al.

Primary Examiner — Stella Reid

Assistant Examiner — Derrick C. Holland

(74) *Attorney, Agent, or Firm* — Thibault Fayette; Matthew P. Fitzpatrick

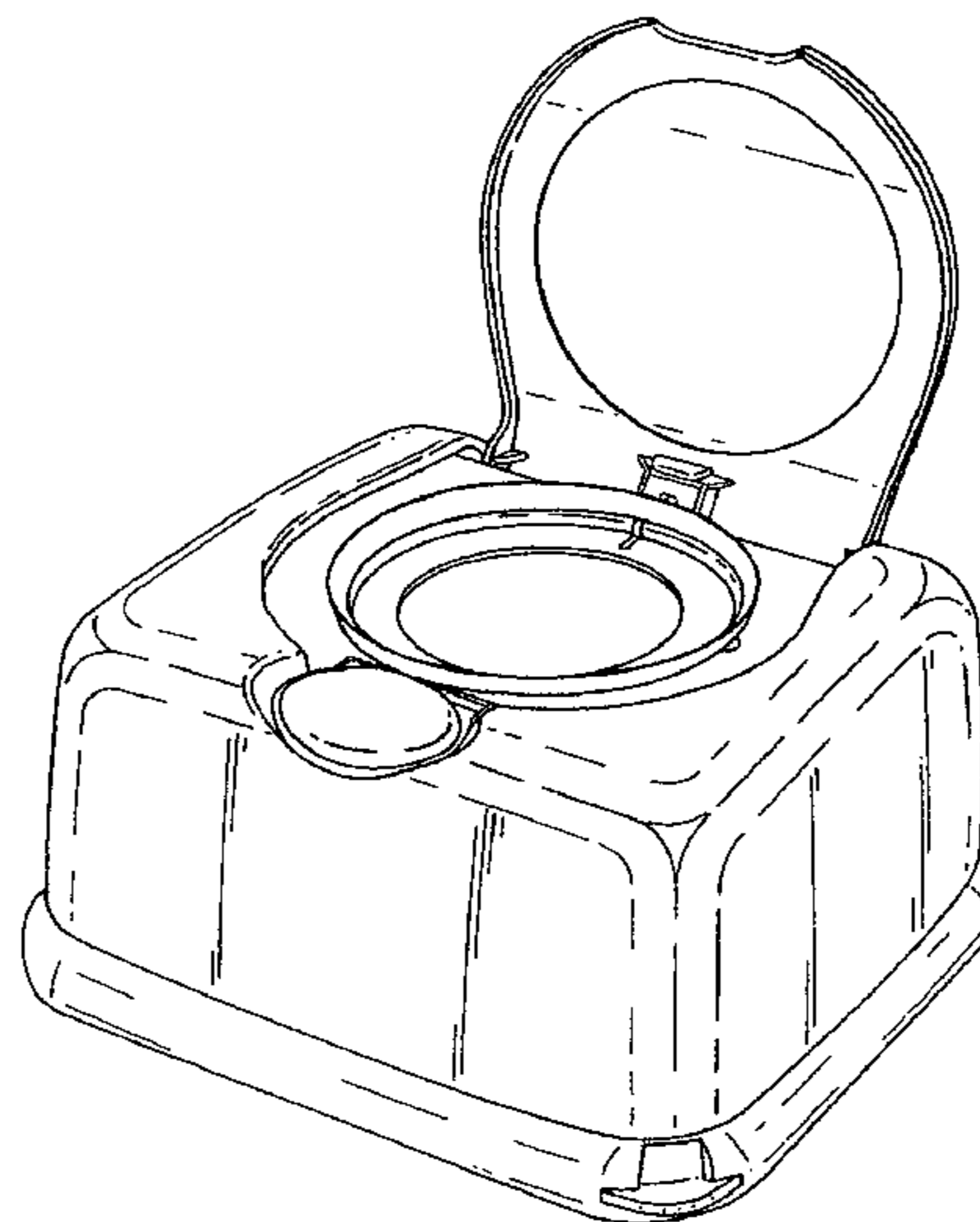
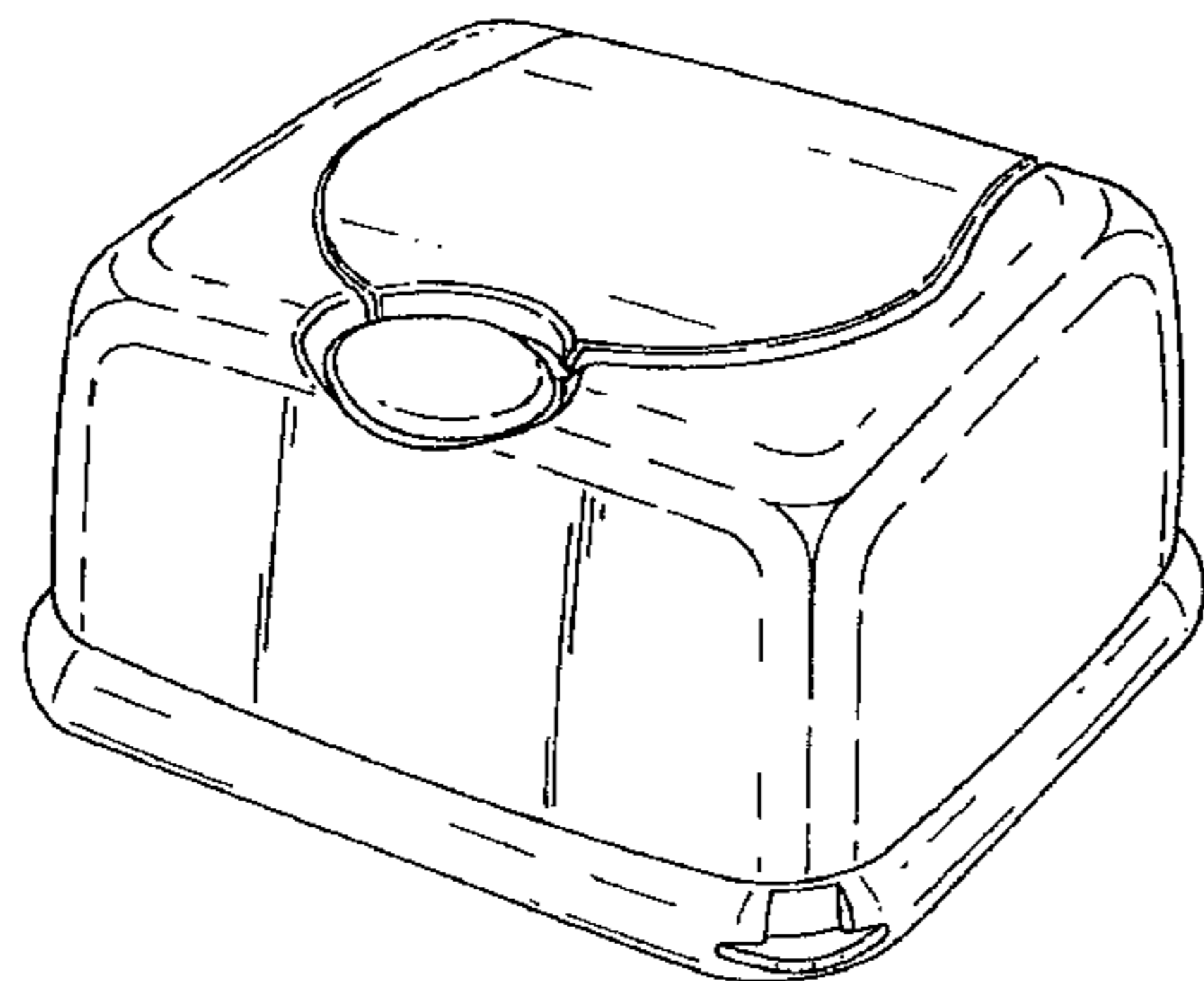
(57) **CLAIM**

The ornamental design for a box for cosmetics, as shown and described.

DESCRIPTION

FIG. 1 is a perspective view of a box for cosmetics showing our new design;
FIG. 2 is a front elevational view thereof;
FIG. 3 is a rear elevational view thereof;
FIG. 4 is a left side elevational view thereof;
FIG. 5 is a right side elevational view thereof;
FIG. 6 is a top plan view thereof;
FIG. 7 is a bottom plan view thereof; and,
FIG. 8 is a perspective view of the box for cosmetics shown with the lid in an open position.

1 Claim, 4 Drawing Sheets



US D651,525 S

Page 2

U.S. PATENT DOCUMENTS

D443,451 S	6/2001	Buck et al.	
D443,508 S	6/2001	Braaten et al.	
D444,063 S	6/2001	Buck et al.	
D446,449 S *	8/2001	Conway	D9/420
D450,960 S	11/2001	Boyea et al.	
D454,015 S *	3/2002	Okin et al.	D9/734
6,394,298 B1	5/2002	Zaidman	
D468,567 S	1/2003	Trevett et al.	
6,523,690 B1	2/2003	Buck et al.	
D471,440 S	3/2003	Sams et al.	
D473,740 S	4/2003	Ruhotas et al.	
6,592,004 B2	7/2003	Huang et al.	
6,604,628 B1	8/2003	Tanaka et al.	
D479,419 S	9/2003	White et al.	
D479,420 S	9/2003	White et al.	
D485,461 S	1/2004	Sams et al.	
6,729,498 B2	5/2004	Yelton et al.	
6,766,919 B2	7/2004	Huang et al.	
D495,545 S *	9/2004	Niehues	6/518
D495,910 S *	9/2004	Zaidman	D6/518
D498,623 S	11/2004	Sams et al.	
6,910,579 B2 *	6/2005	Reinke et al.	206/494
D512,101 S *	11/2005	Hsu	D19/86
D516,437 S *	3/2006	Chin et al.	D9/734
D594,754 S *	6/2009	Dretzka	D6/518

* cited by examiner

Fig. 1.

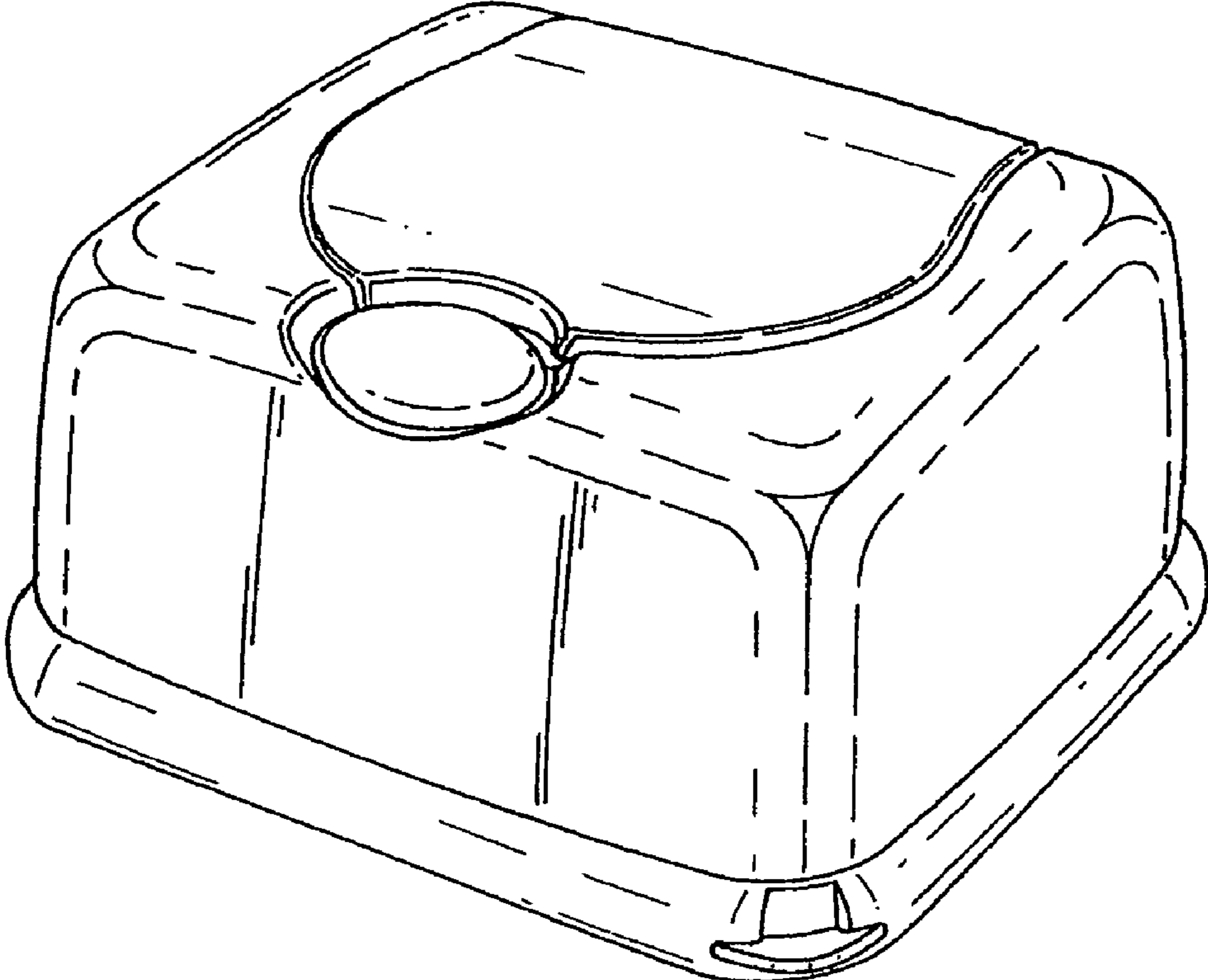


Fig. 2.

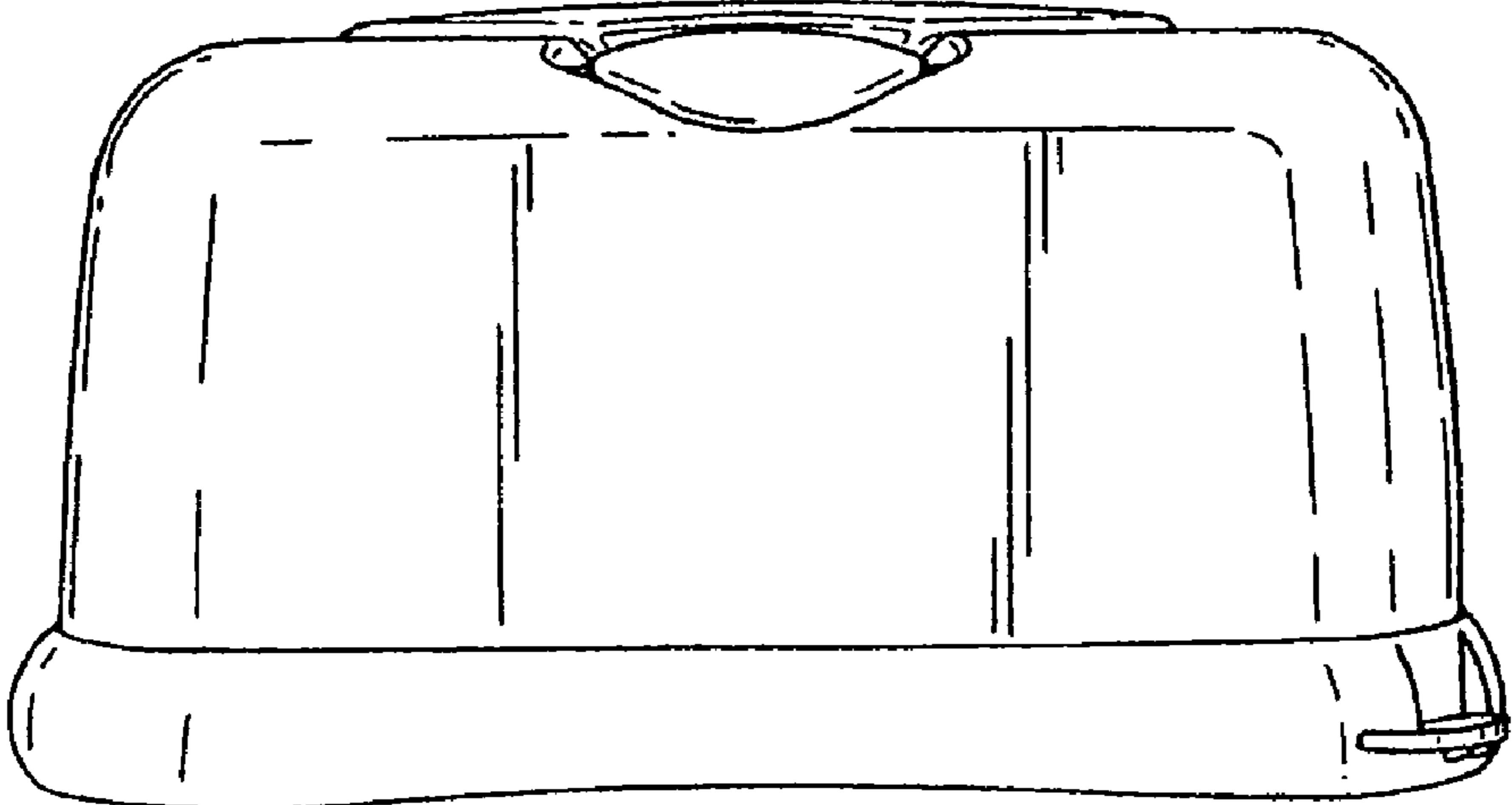


Fig.3.

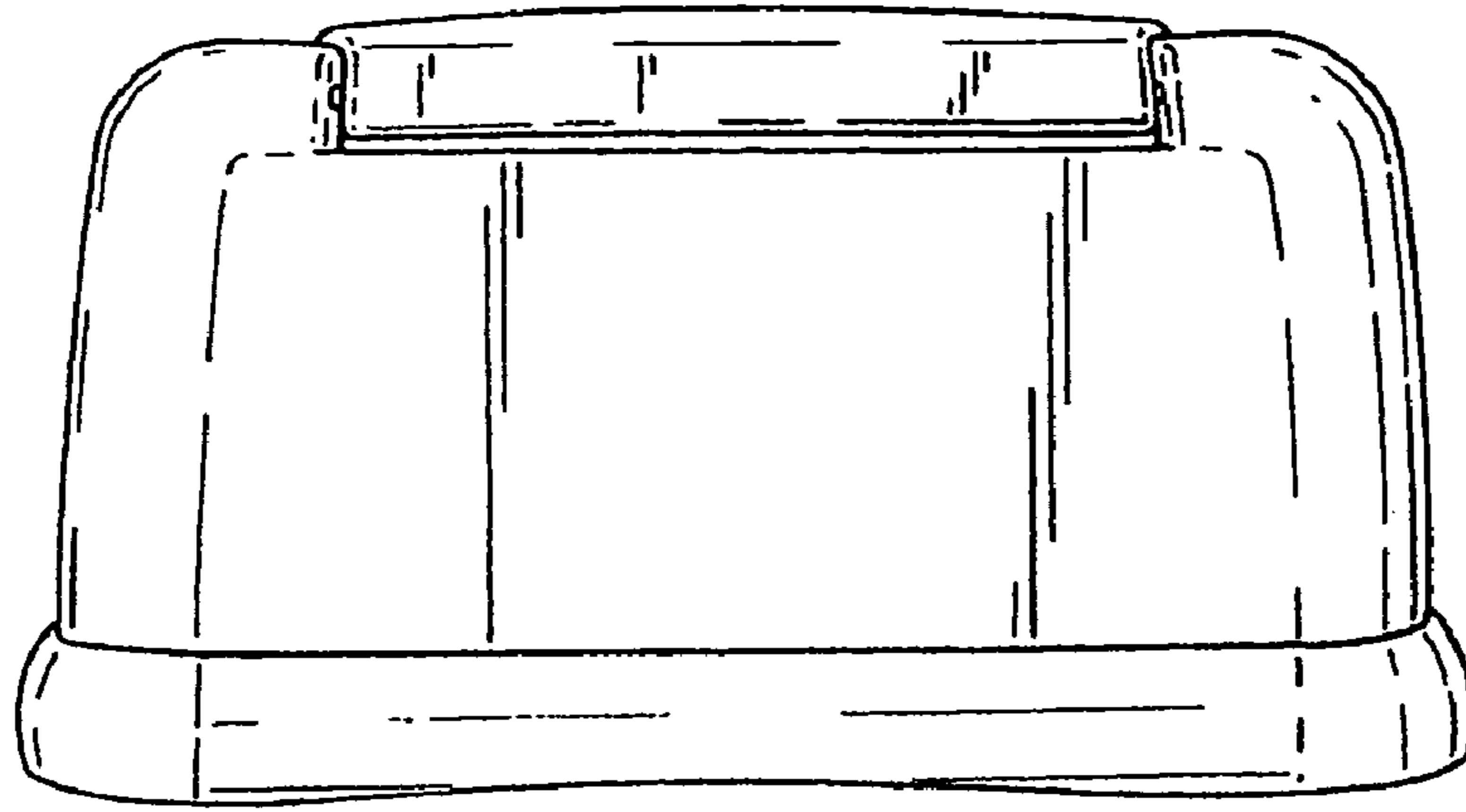


Fig.4.

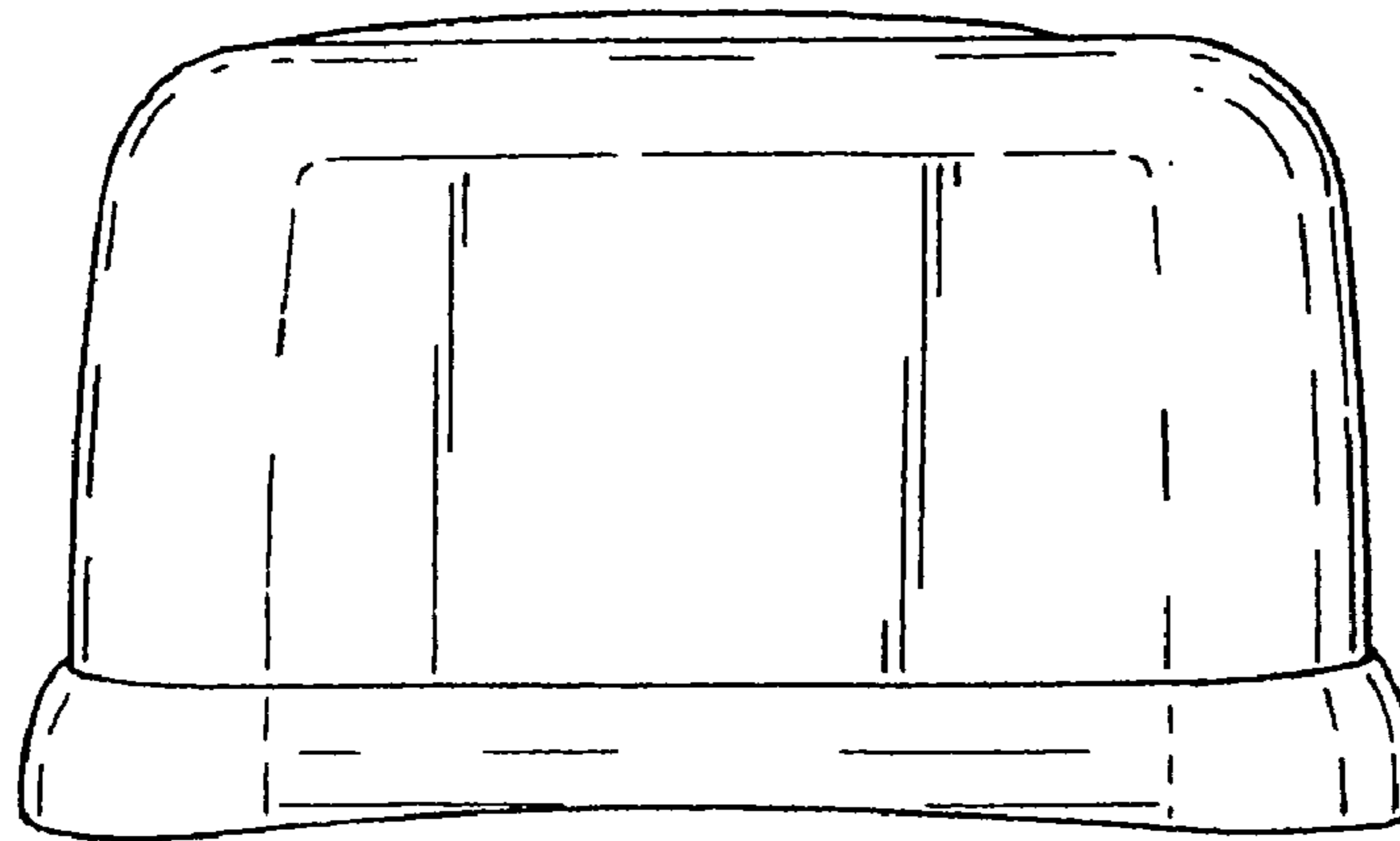


Fig.5.

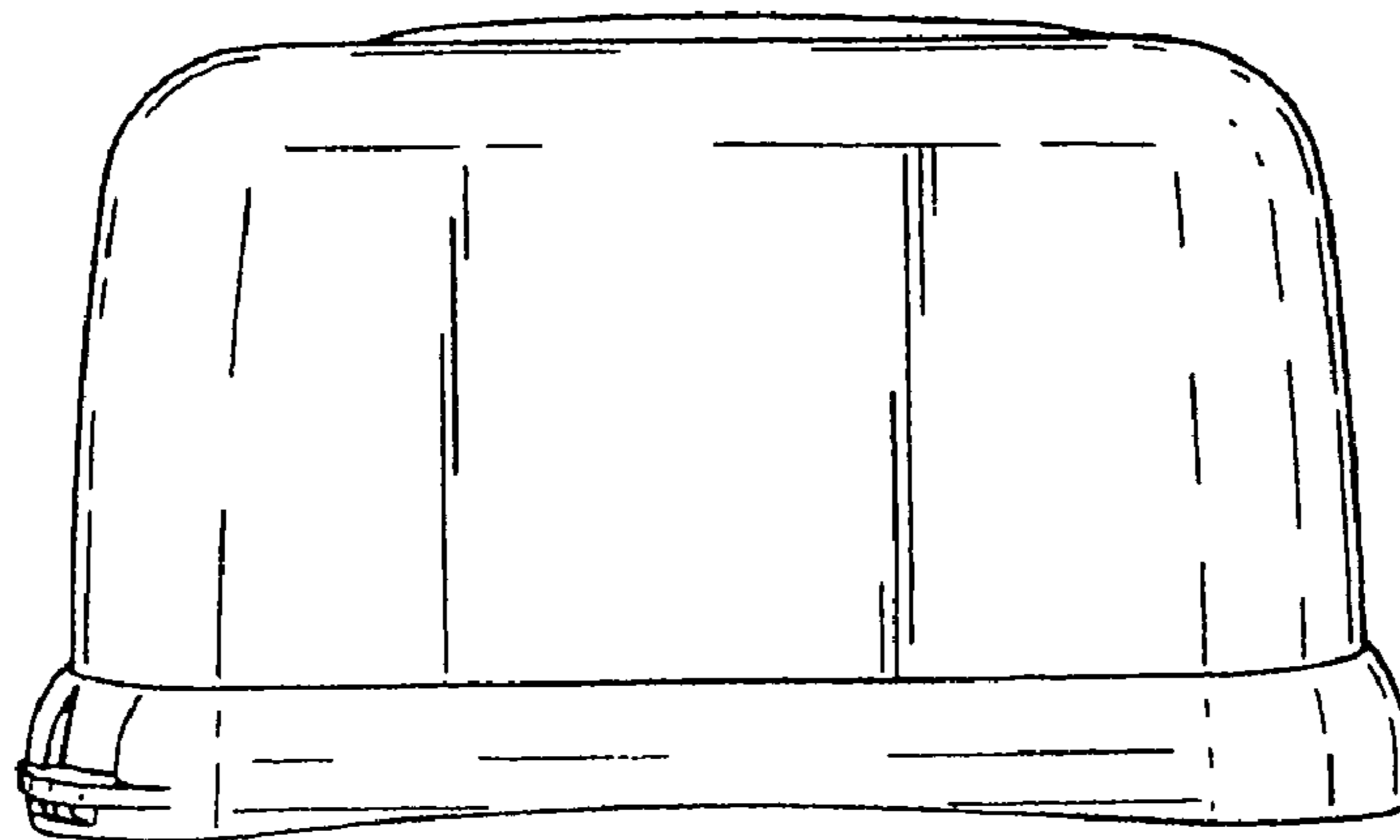


Fig. 6.

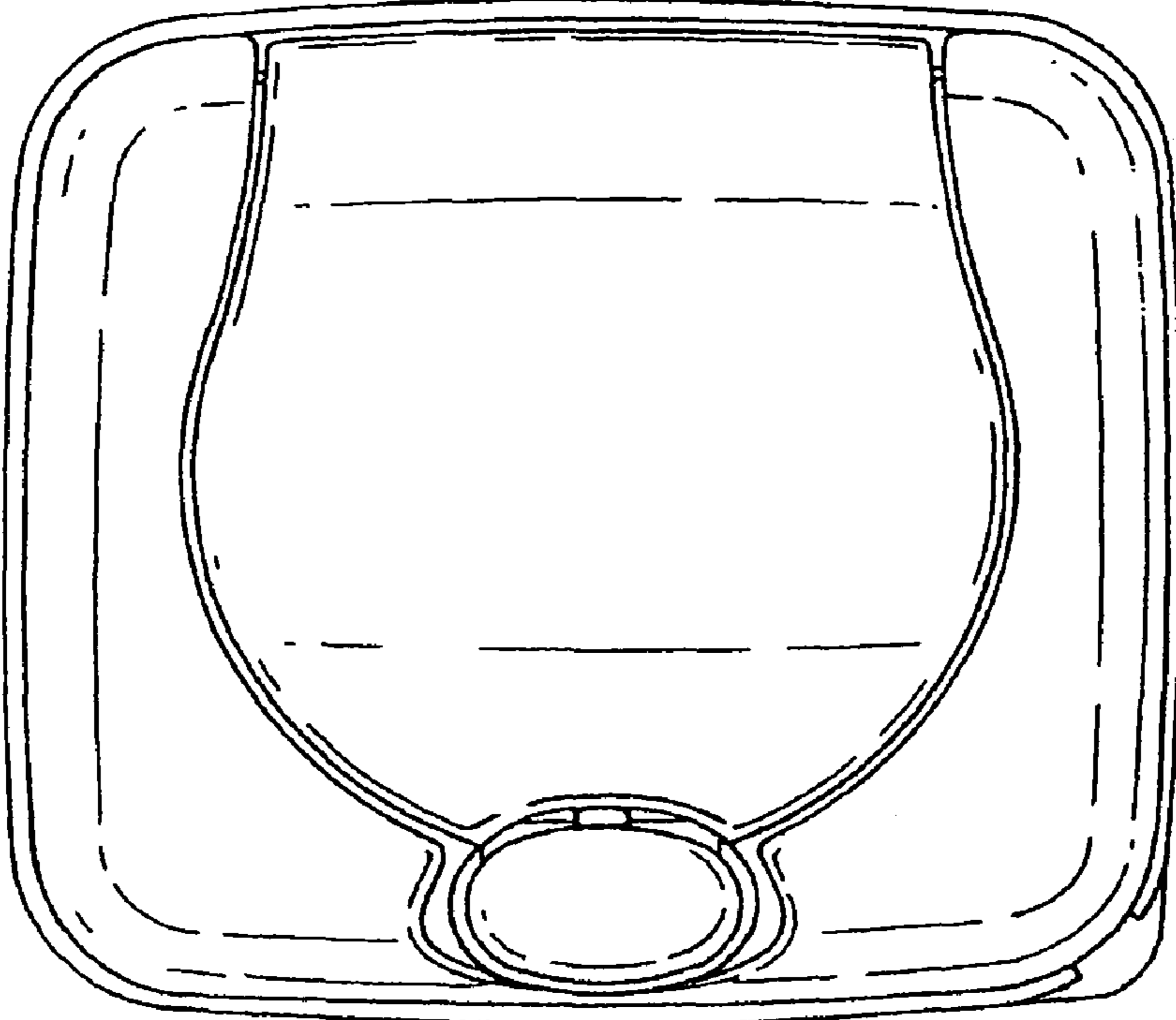


Fig. 7.

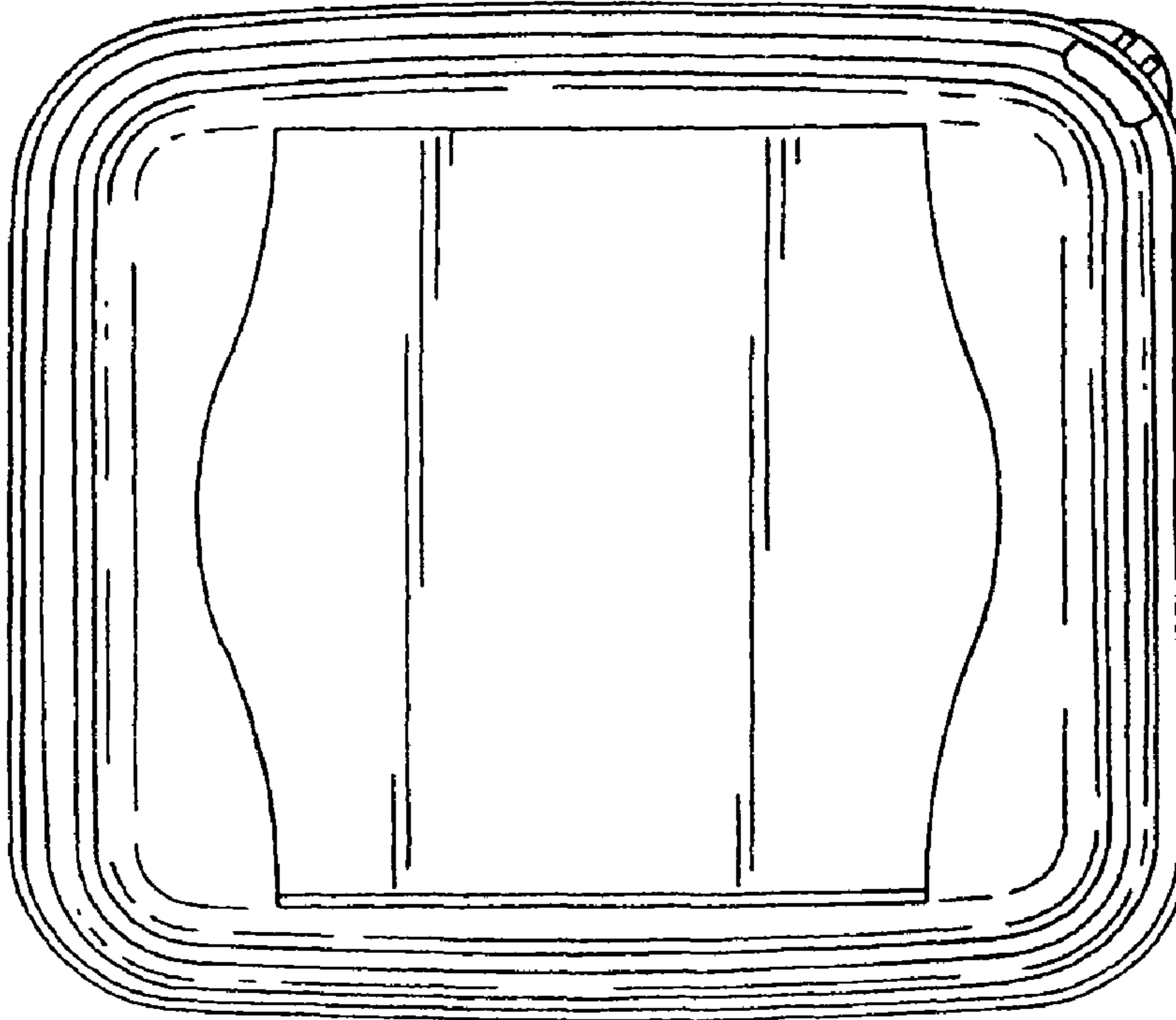


Fig.8.

