



US00D651521S

(12) **United States Design Patent**
Haile

(10) **Patent No.:** **US D651,521 S**
(45) **Date of Patent:** **** Jan. 3, 2012**

(54) **BOTTLE WITH TRANSPARENT WINDOW**

(76) Inventor: **Danny Lee Haile**, La Mirada, CA (US)

(**) Term: **14 Years**

(21) Appl. No.: **29/379,631**

(22) Filed: **Nov. 22, 2010**

Related U.S. Application Data

(63) Continuation-in-part of application No. 29/350,948, filed on Nov. 25, 2009, now abandoned.

(30) **Foreign Application Priority Data**

May 25, 2010 (JP) 2010-012837

(51) **LOC (9) Cl.** **09-01**

(52) **U.S. Cl.** **D9/629; D9/503; D9/658; D9/661**

(58) **Field of Classification Search** D9/418,
D9/434, 500, 502-505, 516, 549-550, 558,
D9/571, 574-575, 715, 718-719, 629, 655,
D9/658, 661; D4/116; D28/4, 7, 76-77,
D28/99; 206/15.2, 15.3; 401/129; 215/379,
215/381-382; 220/660, 669, 675

See application file for complete search history.

(56) **References Cited**

U.S. PATENT DOCUMENTS

D28,240 S 2/1898 Wellhouse
D68,779 S 11/1925 Gibson
D69,493 S 2/1926 Ciardi
D73,190 S 8/1927 Mezitis
D76,350 S 9/1928 Love et al.
D78,110 S 3/1929 Lancet
D121,927 S 8/1940 Miller, Jr.
2,249,832 A 7/1941 Hubschman
D157,414 S 2/1950 Parentice
D162,721 S 4/1951 Ferraro
D168,416 S 12/1952 McGinnis

3,337,901 A 8/1967 Schefer et al.
3,361,304 A 1/1968 Thompson
3,362,587 A 1/1968 Postel
D214,159 S * 5/1969 Hart et al. D9/503
D259,153 S * 5/1981 Valente D3/270
D259,252 S * 5/1981 Acker D4/116
D298,514 S 11/1988 Dole et al.
D330,859 S 11/1992 Schaeffer
D332,919 S * 2/1993 Turnbull et al. D9/500
D333,428 S 2/1993 Gobe
D363,303 S * 10/1995 Winston D18/18
D363,375 S * 10/1995 Arntsen D4/116
D365,751 S 1/1996 Hsu
D374,619 S * 10/1996 Cook D9/629
D399,658 S 10/1998 Nosella
D422,219 S 4/2000 Gobe
D429,154 S * 8/2000 Chang D9/503

(Continued)

FOREIGN PATENT DOCUMENTS

JP 1202886 4/2004

(Continued)

Primary Examiner — Ian Simmons

Assistant Examiner — Dana L Sipos

(74) *Attorney, Agent, or Firm* — Feldman Gale, P.A.; Walter C. Frank

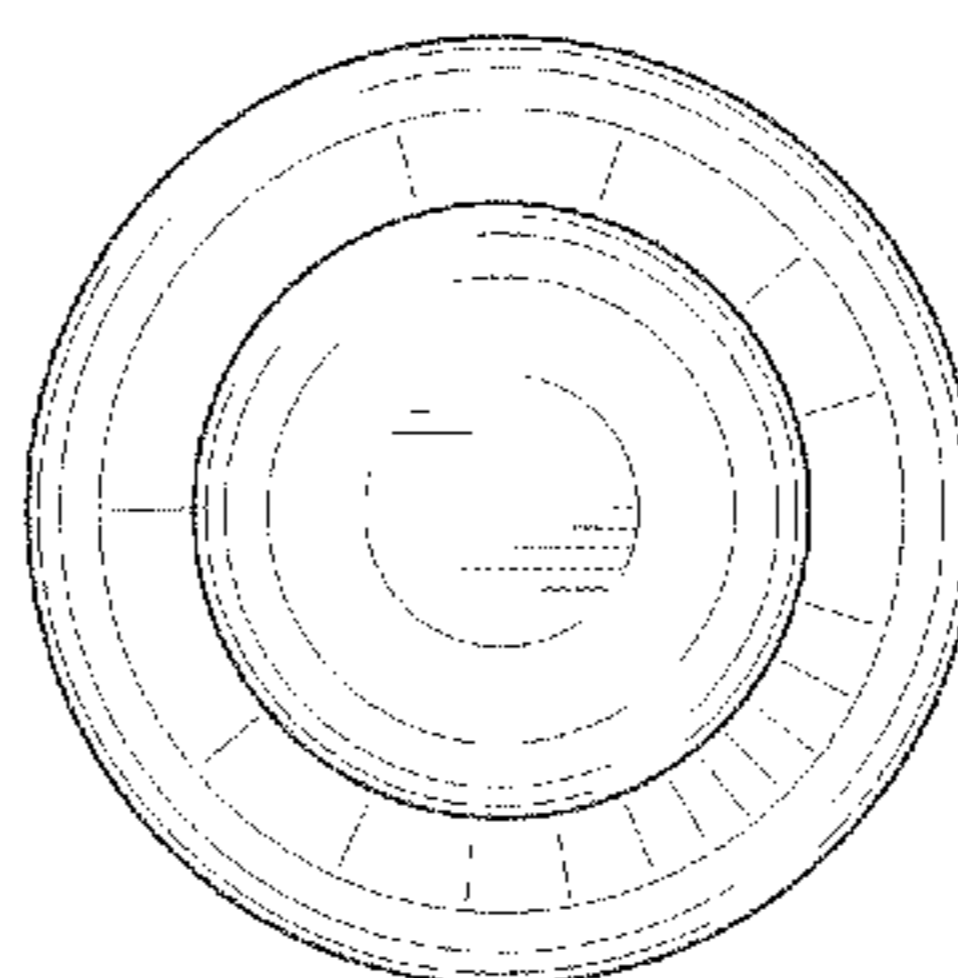
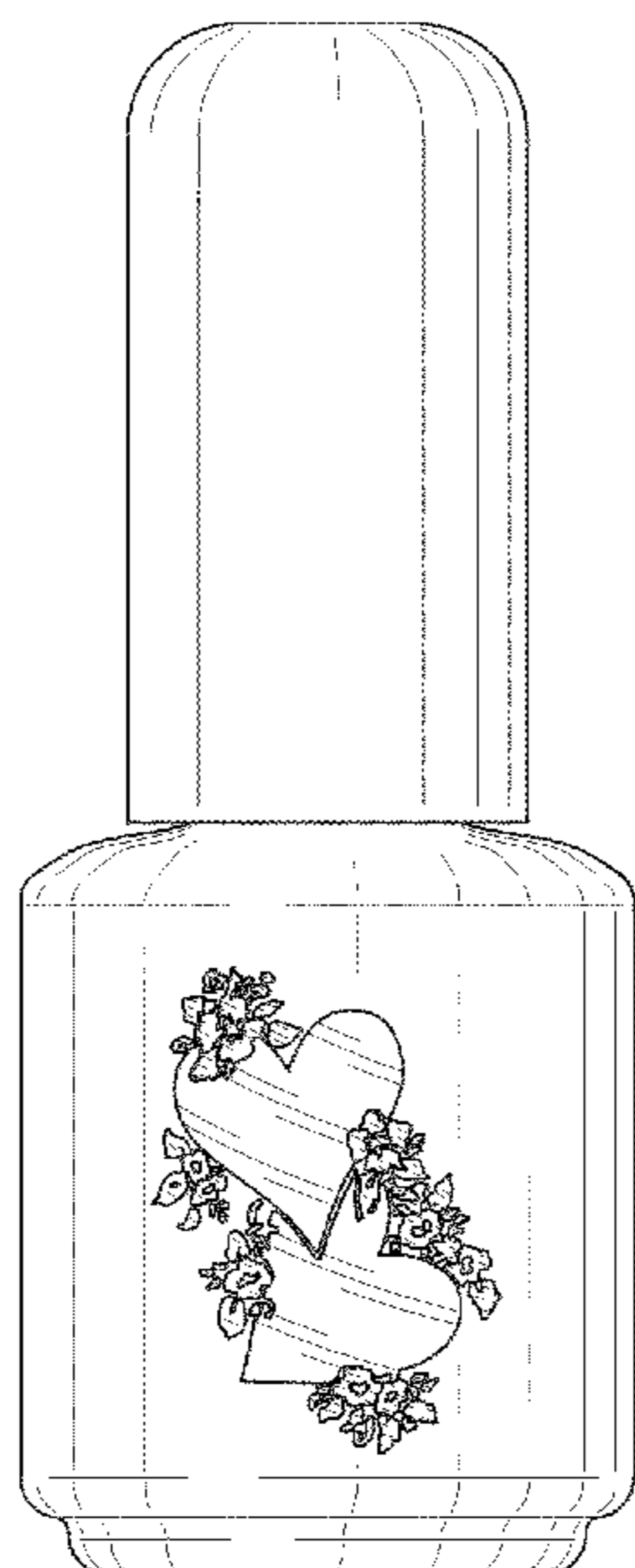
(57) **CLAIM**

I claim the ornamental design for a bottle with transparent window, as shown and described.

DESCRIPTION

FIG. 1 is a front elevation view of a bottle with transparent window showing my new design;
FIG. 2 is a rear elevation view thereof;
FIG. 3 is a right side elevation view thereof;
FIG. 4 is a top plan view thereof; and,
FIG. 5 is a bottom plan view thereof.

1 Claim, 2 Drawing Sheets



US D651,521 S

Page 2

U.S. PATENT DOCUMENTS

D431,779 S 10/2000 Nosella
D449,228 S * 10/2001 Nosella D9/500
D467,138 S * 12/2002 Stanphill D7/710
D468,529 S * 1/2003 Sabounjian D3/273
D476,901 S * 7/2003 Crawford D9/557
D477,066 S 7/2003 Lonczak et al.
D479,134 S 9/2003 Murata
D487,703 S 3/2004 Orsomando
D488,064 S * 4/2004 Crawford D9/502
D523,757 S * 6/2006 Garcia et al. D9/629
D538,479 S 3/2007 Martinez
D543,113 S 5/2007 Mongeon et al.
D543,114 S 5/2007 Mongeon et al.
D552,695 S * 10/2007 Mayers D21/629

D556,040 S 11/2007 Kawashima et al.
D556,043 S 11/2007 Rabie
D560,508 S 1/2008 Lepoitevin
D563,798 S 3/2008 Gibson et al.
D568,753 S 5/2008 Woolf
D569,734 S * 5/2008 Imperato et al. D9/560
D598,289 S 8/2009 Taylor
D600,134 S 9/2009 Black
D607,728 S 1/2010 Berger et al.
D613,173 S 4/2010 Bansal
D617,206 S 6/2010 Shaw et al.

FOREIGN PATENT DOCUMENTS

KR 30-0266534 11/2000

* cited by examiner

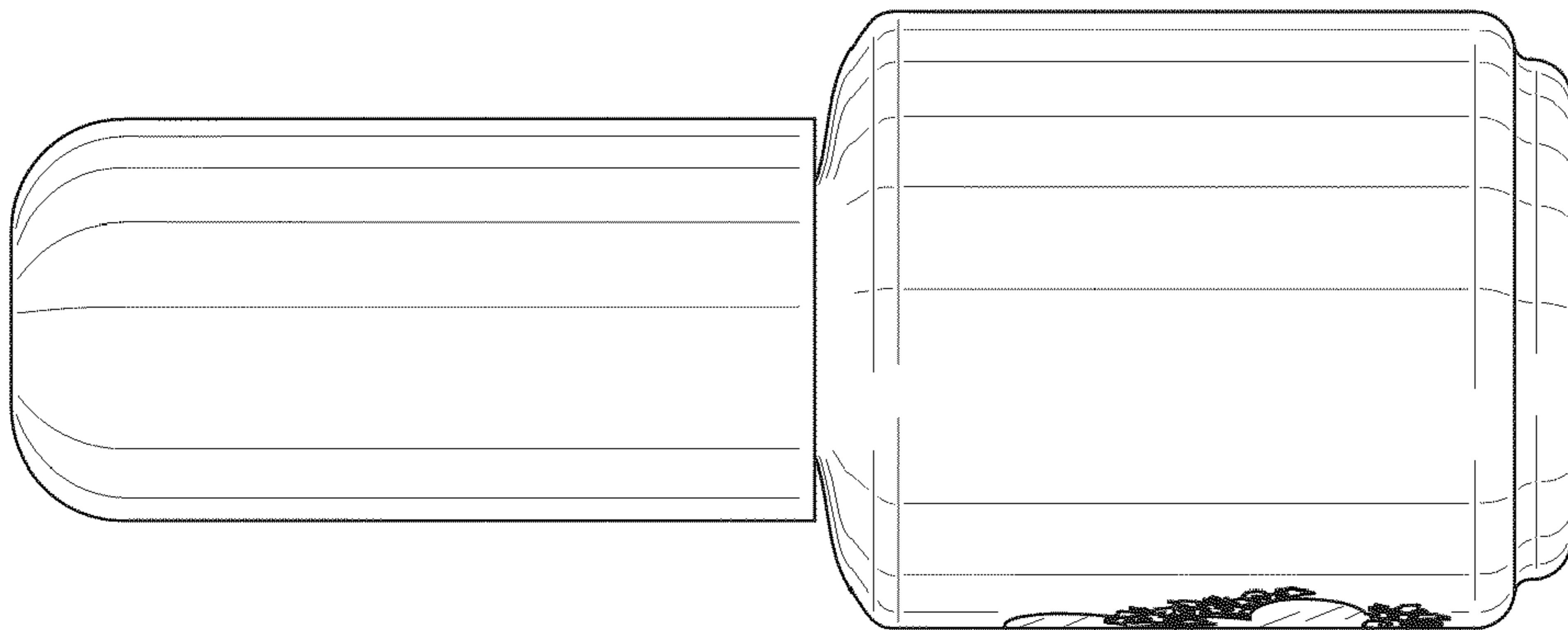


FIG. 1

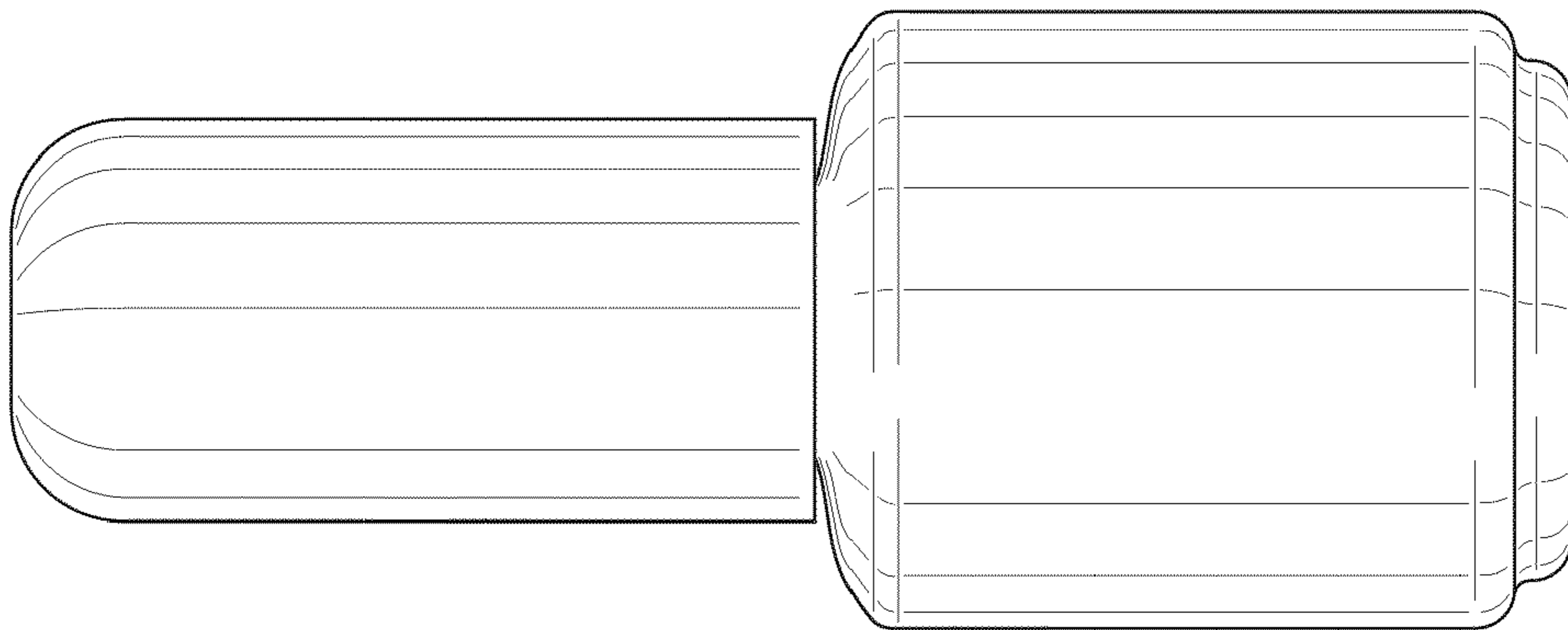


FIG. 2

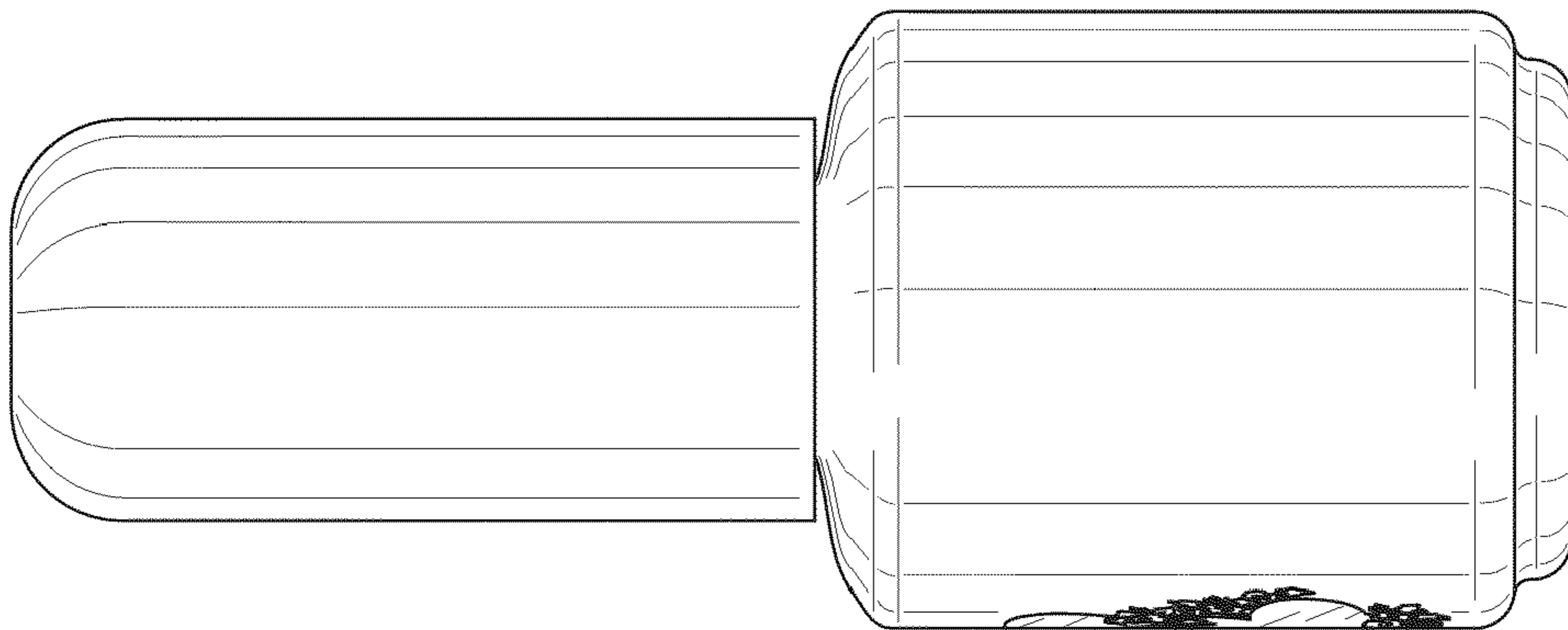


FIG. 3

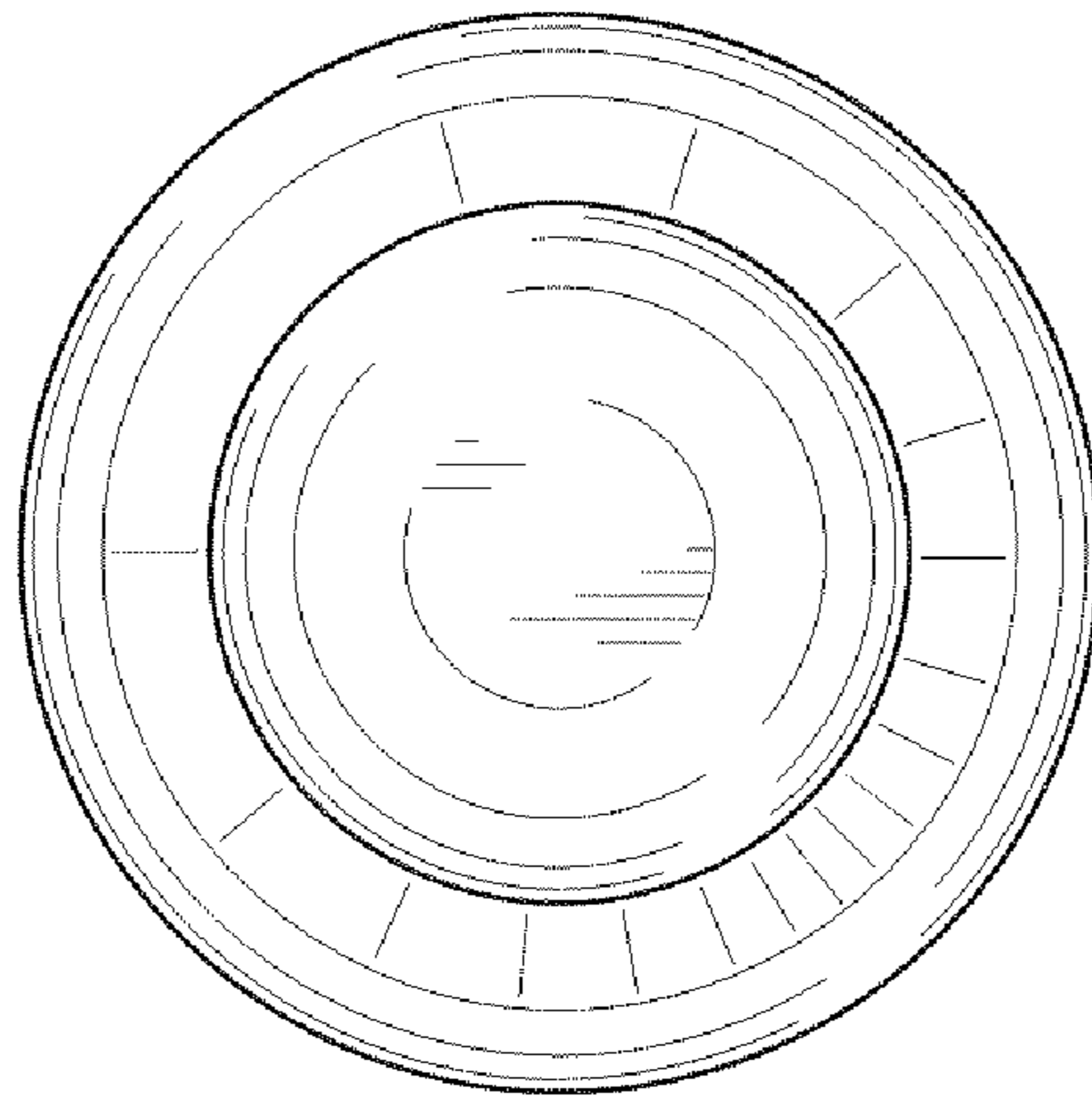


FIG. 4

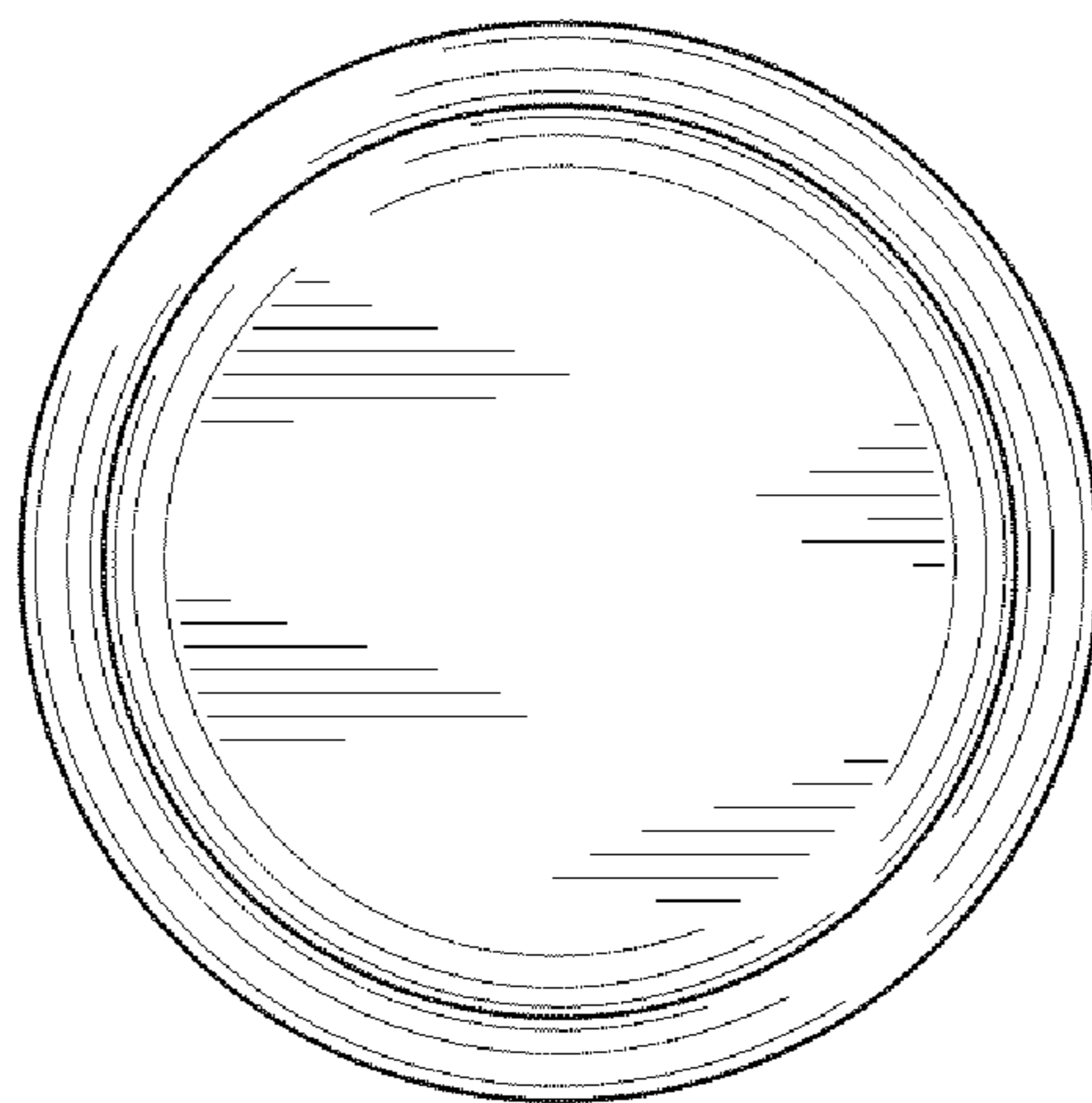


FIG. 5