



US00D651515S

(12) **United States Design Patent**
Haile

(10) **Patent No.:** **US D651,515 S**
(45) **Date of Patent:** **** Jan. 3, 2012**

(54) **BOTTLE WITH TRANSPARENT WINDOW**

(76) Inventor: **Danny Lee Haile**, La Mirada, CA (US)

(**) Term: **14 Years**

(21) Appl. No.: **29/379,634**

(22) Filed: **Nov. 22, 2010**

(51) **LOC (9) Cl.** **09-01**

(52) **U.S. Cl.** **D9/503; D9/553**

(58) **Field of Classification Search** D9/418,
D9/434, 500, 502-505, 516, 549-550, 558,
D9/574-575, 715, 718-719, 553, 566; D4/116;
D28/4, 7, 76-77, 99; 206/15.2, 15.3; 401/129;
215/379, 381-382; 220/660, 669, 675

See application file for complete search history.

(56) **References Cited**

U.S. PATENT DOCUMENTS

D28,240 S	2/1898	Wellhouse	
D68,779 S	11/1925	Gibson	
D69,493 S	2/1926	Ciardi	
D73,190 S	8/1927	Mezitis	
D76,350 S	9/1928	Love et al.	
D78,110 S	3/1929	Lancet	
D121,927 S	8/1940	Miller, Jr.	
2,249,832 A	7/1941	Hubschman	
D157,414 S	2/1950	Parentice	
2,532,857 A *	12/1950	Ricciardi	220/662
D162,721 S	4/1951	Ferraro	
D168,416 S	12/1952	McGinnis	
3,337,901 A	8/1967	Schefer et al.	
3,361,304 A	1/1968	Thompson	
3,362,587 A	1/1968	Postel	
D214,159 S *	5/1969	Hart et al.	D9/503
D249,870 S *	10/1978	Tillander	D9/607
D259,252 S *	5/1981	Acker	D4/116
D298,514 S	11/1988	Dole et al.	
D330,859 S	11/1992	Schaeffer	
D332,919 S *	2/1993	Turnbull et al.	D9/500

D333,428 S	2/1993	Gobe	
D363,375 S *	10/1995	Arntsen	D4/116
D365,751 S	1/1996	Hsu	
D399,658 S	10/1998	Nosella	
D422,219 S	4/2000	Gobe	
D429,154 S *	8/2000	Chang	D9/503
D431,779 S	10/2000	Nosella	
D449,228 S *	10/2001	Nosella	D9/500
D476,901 S *	7/2003	Crawford	D9/557
D477,066 S	7/2003	Lonczak et al.	
D479,134 S	9/2003	Murata	
D487,703 S	3/2004	Orsomando	
D488,064 S *	4/2004	Crawford	D9/502
D538,479 S	3/2007	Martinez	
D543,113 S	5/2007	Mongeon et al.	
D543,114 S	5/2007	Mongeon et al.	
D556,040 S	11/2007	Kawashima et al.	

(Continued)

FOREIGN PATENT DOCUMENTS

JP 1202886 4/2004

(Continued)

Primary Examiner — Ian Simmons

Assistant Examiner — Dana L Sipos

(74) *Attorney, Agent, or Firm* — Feldman Gale, P.A.; Walter C. Frank

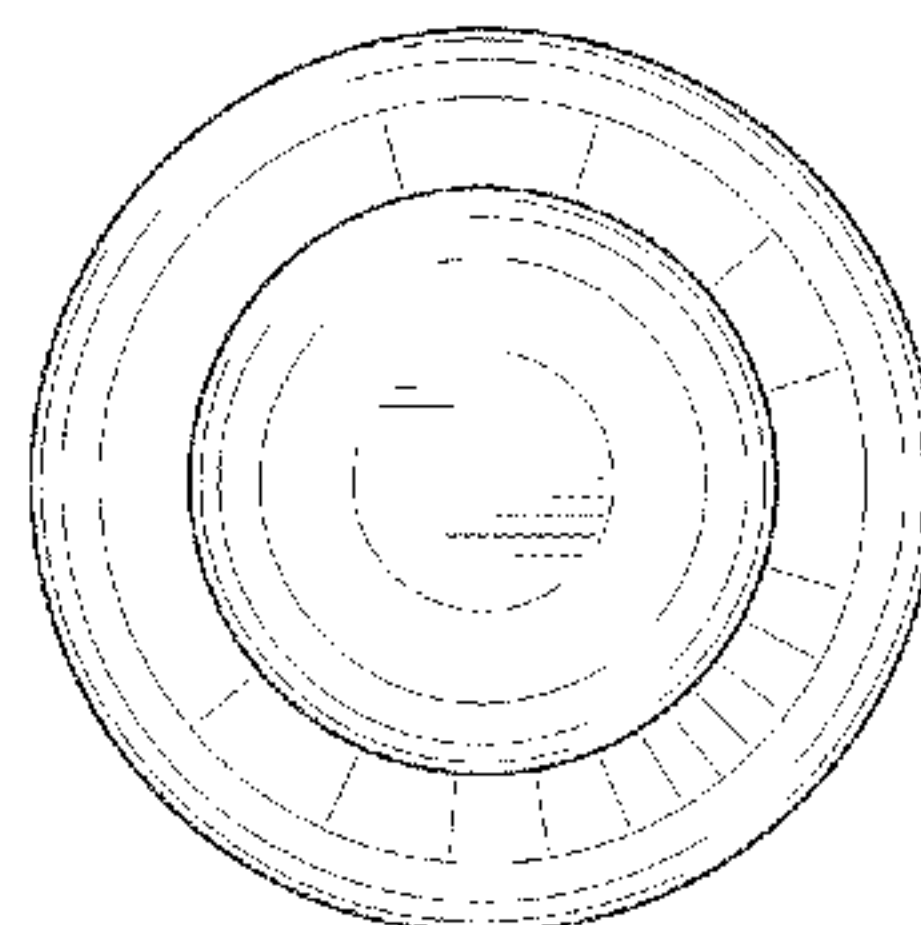
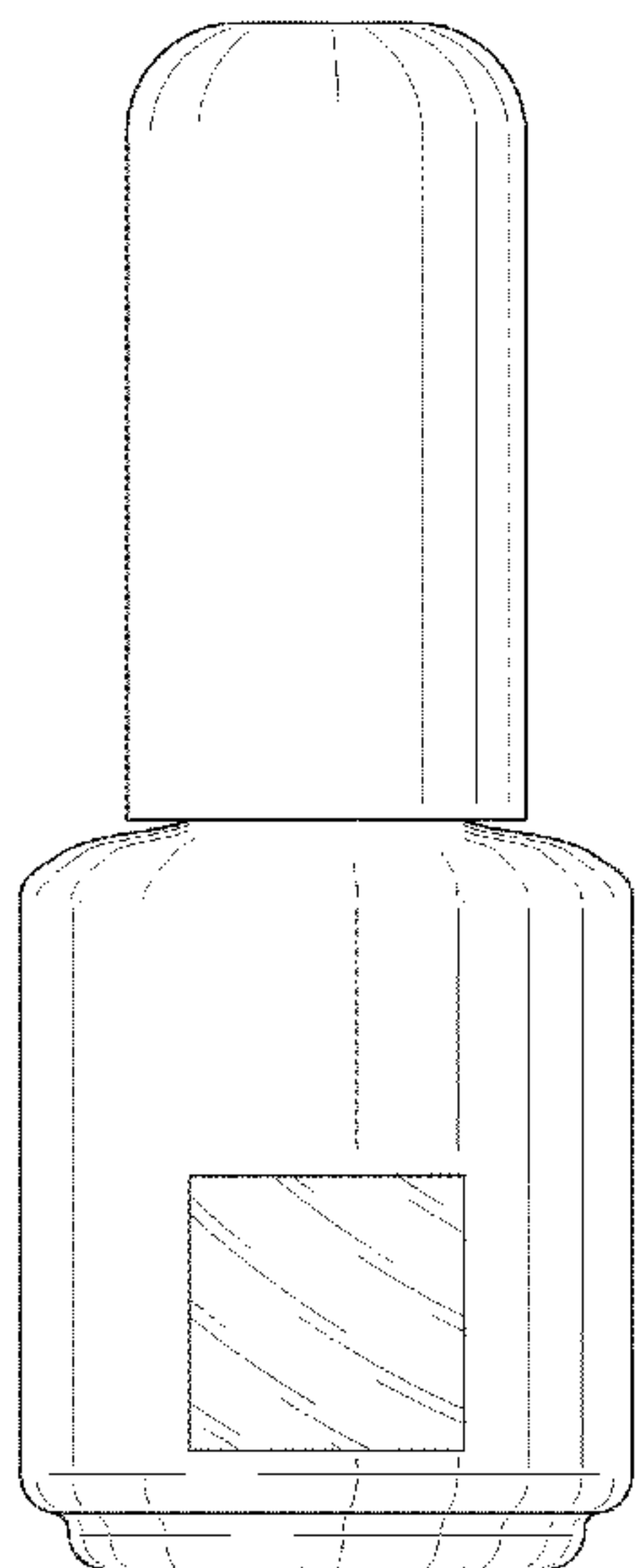
(57) **CLAIM**

I claim the ornamental design for a bottle with transparent window, as shown and described.

DESCRIPTION

FIG. 1 is a front elevation view of a bottle with transparent window showing my new design;
FIG. 2 is a rear elevation view thereof;
FIG. 3 is a right side elevation view thereof; and,
FIG. 4 is a top plan view thereof; and FIG. 5 is a bottom plan view thereof.

1 Claim, 2 Drawing Sheets



US D651,515 S

Page 2

U.S. PATENT DOCUMENTS

D556,043 S 11/2007 Rabie
D560,508 S 1/2008 Lepoitevin
D563,798 S 3/2008 Gibson et al.
D568,753 S 5/2008 Woolf
D569,734 S * 5/2008 Imperato et al. D9/560
D595,125 S * 6/2009 Doyle D9/418
D598,289 S 8/2009 Taylor

D600,134 S 9/2009 Black
D607,728 S 1/2010 Berger et al.
D613,173 S 4/2010 Bansal
D617,206 S 6/2010 Shaw et al.

FOREIGN PATENT DOCUMENTS

KR 30-0266534 11/2000

* cited by examiner

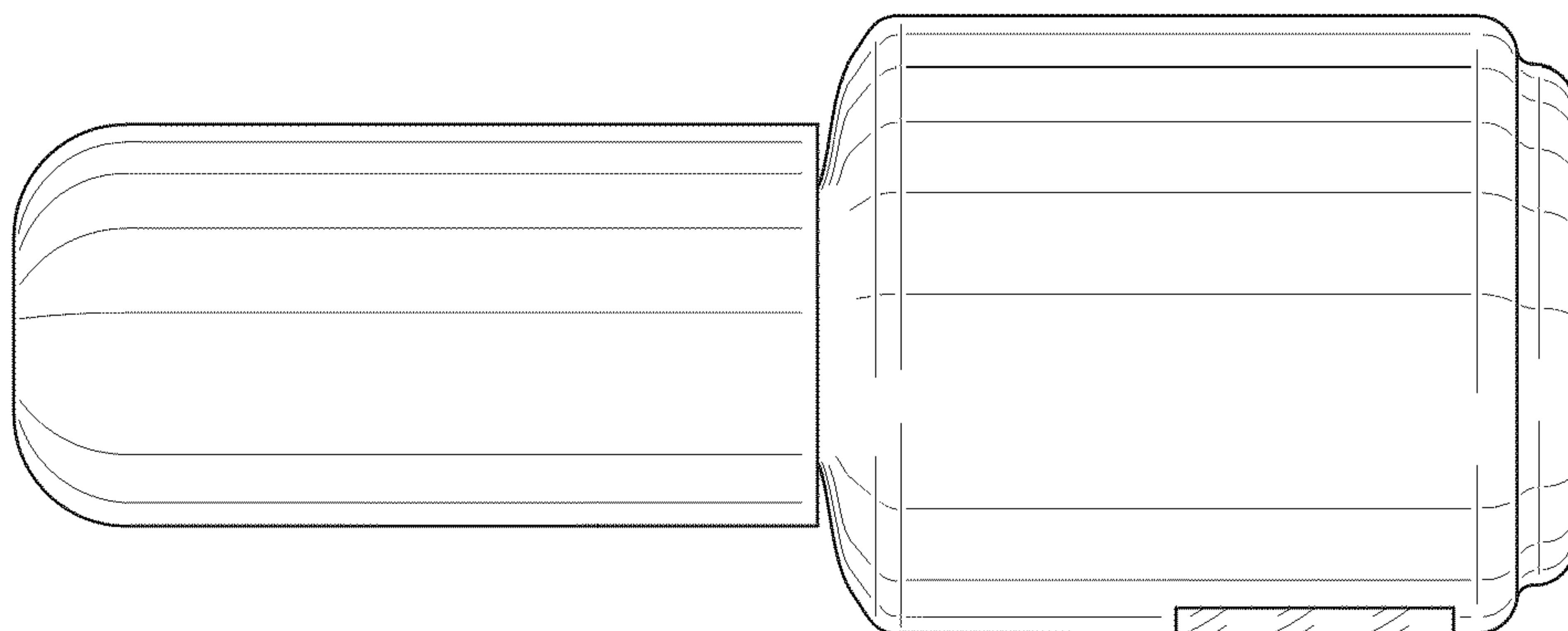


FIG. 1

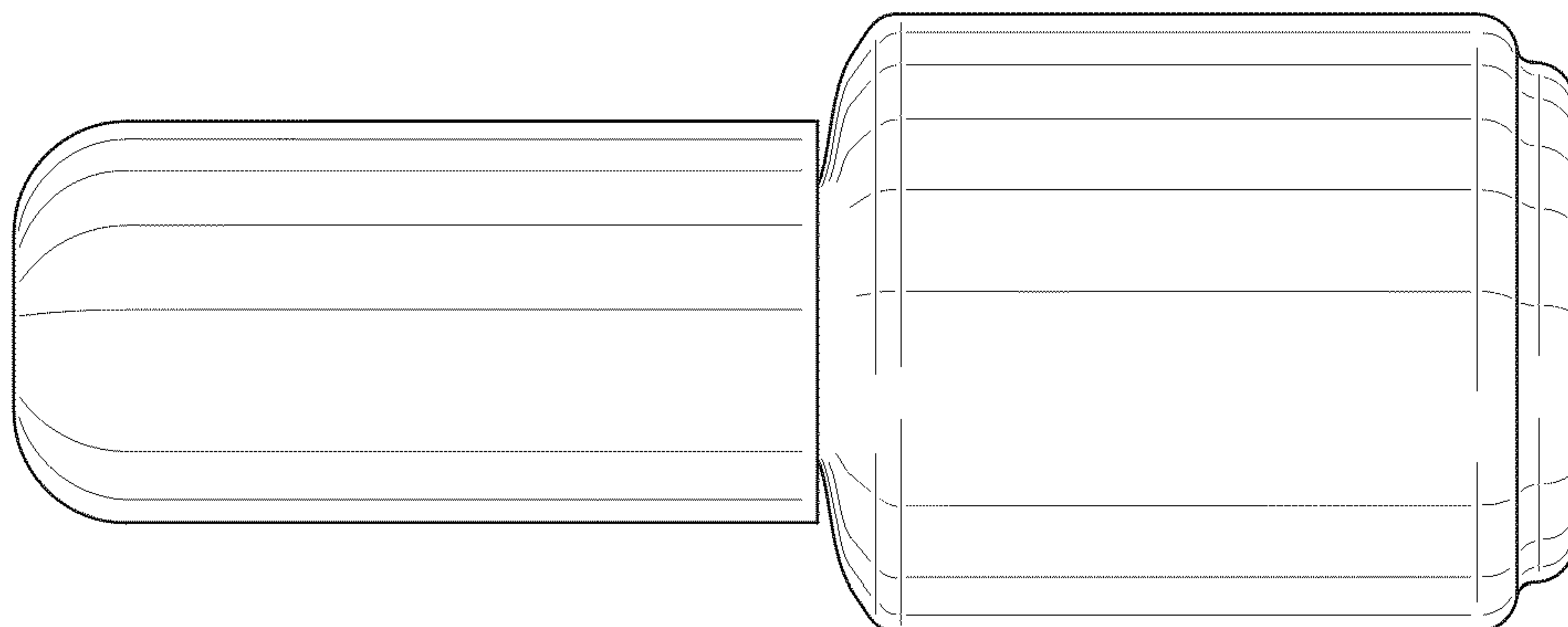


FIG. 2

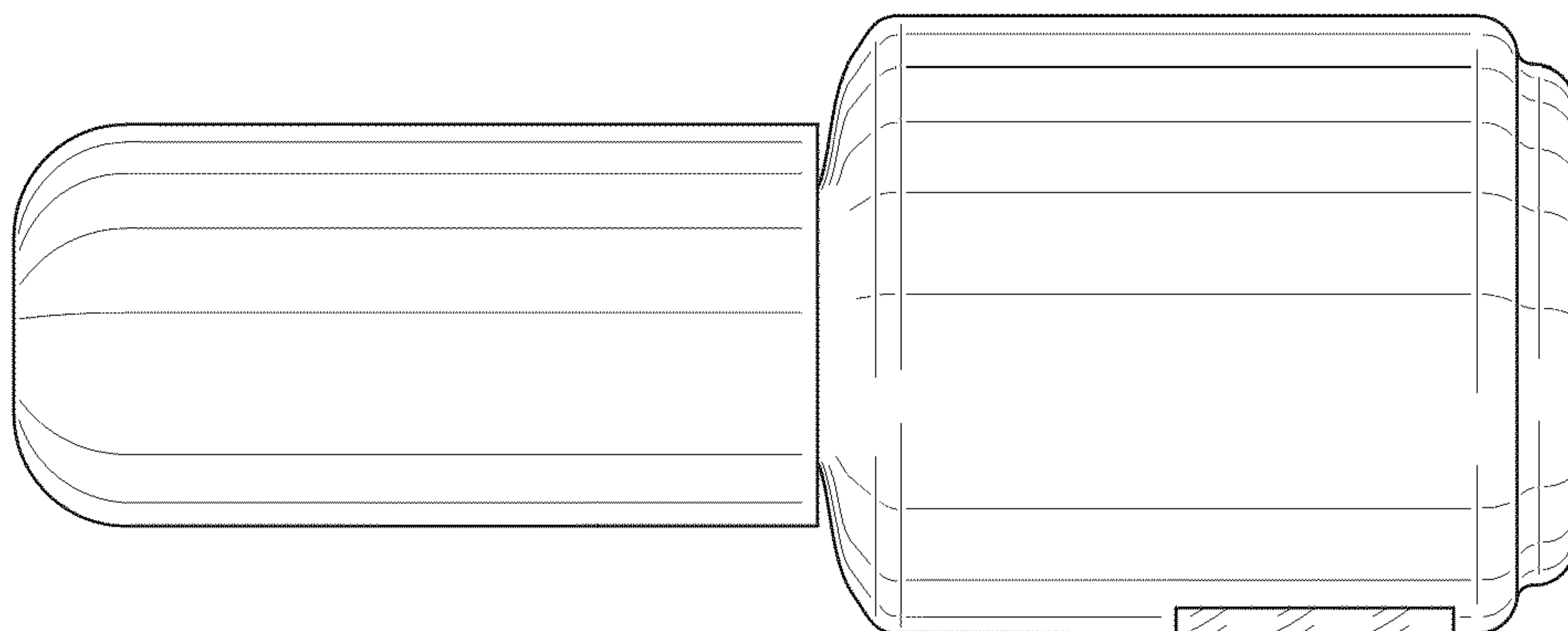


FIG. 3

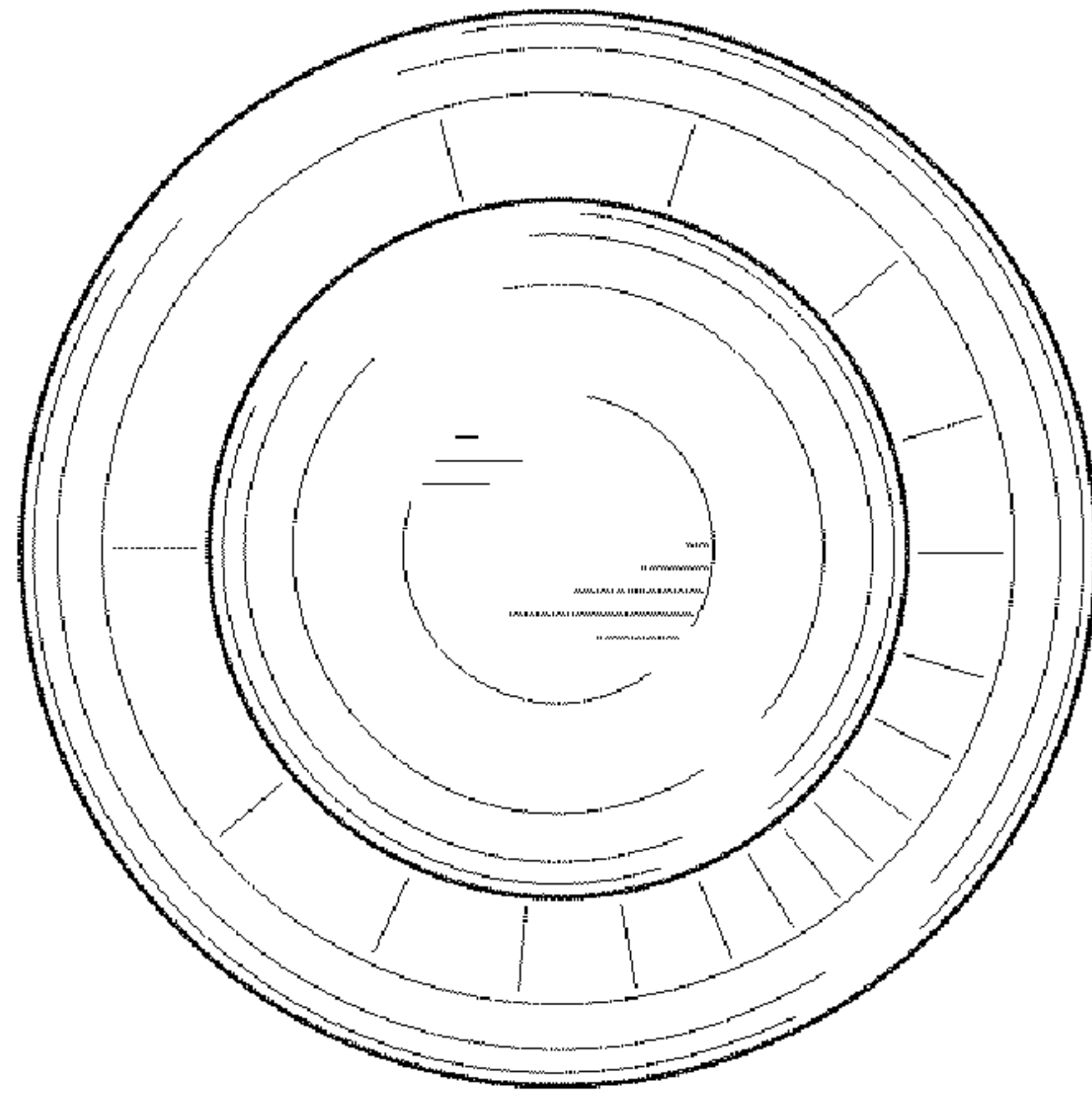


FIG. 4

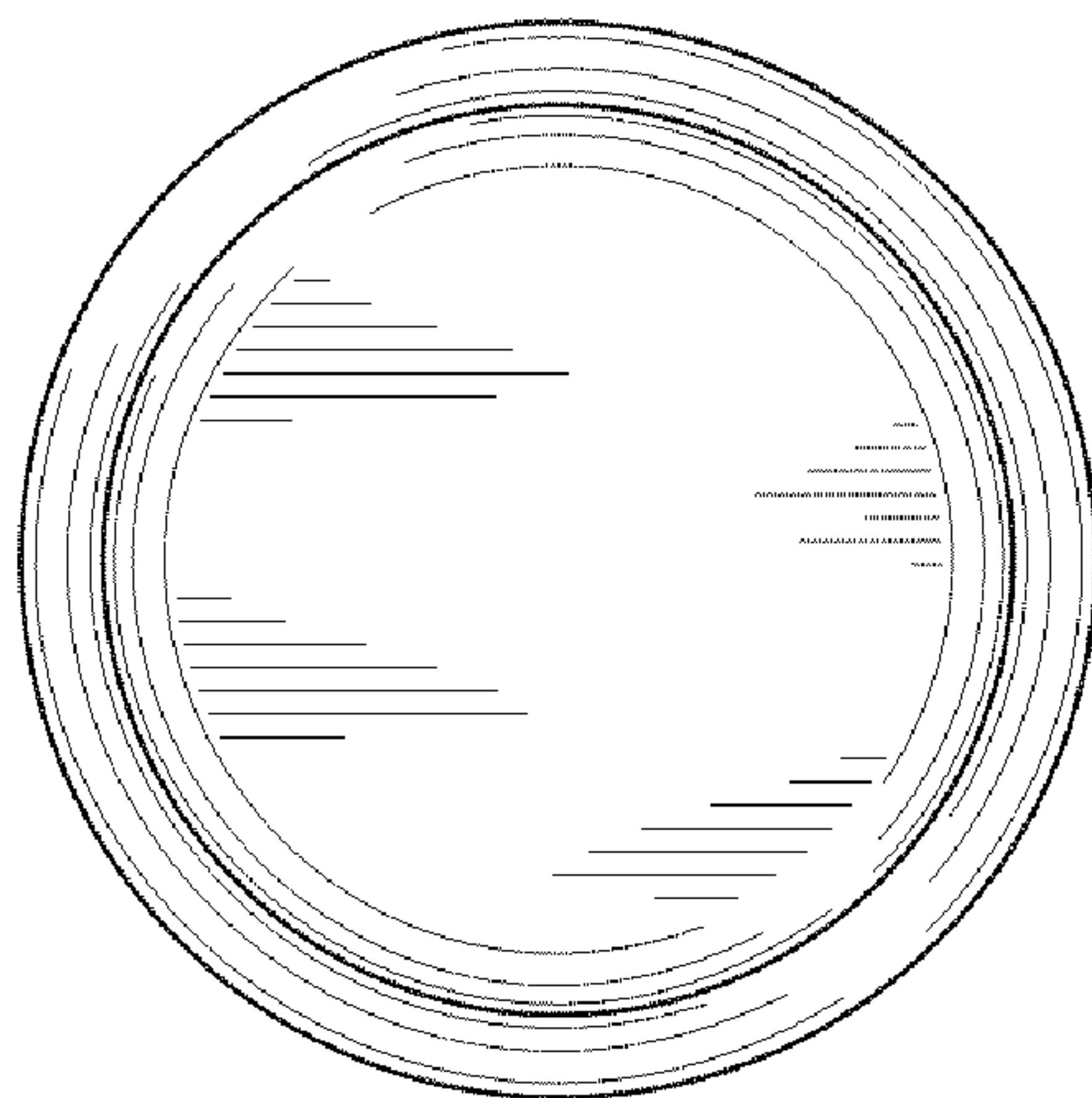


FIG. 5