



US00D651511S

(12) **United States Design Patent**  
**Frias**

(10) **Patent No.:** **US D651,511 S**

(45) **Date of Patent:** **\*\* \*Jan. 3, 2012**

(54) **CONTAINER FOR CLEANSING WIPES**

(75) **Inventor:** **Lucio Frias**, Cincinnati, OH (US)

(73) **Assignee:** **The Procter & Gamble Company**,  
Cincinnati, OH (US)

(\*\*) **Term:** **14 Years**

(21) **Appl. No.:** **29/376,277**

(22) **Filed:** **Oct. 5, 2010**

(51) **LOC (9) Cl.** ..... **09-07**

(52) **U.S. Cl.** ..... **D9/435**

(58) **Field of Classification Search** ..... D9/734,  
D9/707, 629, 456, 435, 434, 433, 432, 427,  
D9/425, 424, 423, 420, 418, 414, 430; D7/354;  
D6/518, 515; D3/294, 302; D27/189; 383/42;  
220/4.23, 409, 784, 778, 776, 494, 482, 268,  
220/265; D5/61.1; D23/261, 260  
See application file for complete search history.

(56) **References Cited**

**U.S. PATENT DOCUMENTS**

D289,105 S	4/1987	Sussman	
D295,608 S	5/1988	Tonduti	
5,533,621 A	7/1996	Schoal, Jr.	
D374,744 S	10/1996	Dolan et al.	
5,785,179 A	7/1998	Buczynski et al.	
D436,273 S	1/2001	Lange	
D442,081 S *	5/2001	Paul	D9/423
D443,508 S	6/2001	Braaten et al.	
D454,689 S	3/2002	Gonda et al.	
D459,124 S	6/2002	Le et al.	
D461,403 S *	8/2002	Chomik et al.	D9/423
D465,685 S *	11/2002	Dellerman et al.	D9/435
D466,807 S	12/2002	Buck et al.	
D467,105 S *	12/2002	Le et al.	D9/435
D467,398 S	12/2002	Kohn	
D469,287 S	1/2003	Mathews	
D473,789 S	4/2003	Crawford et al.	
D485,461 S	1/2004	Sams et al.	
D495,910 S	9/2004	Zaidman	

D531,499 S	11/2006	Zaidman	
D549,119 S	8/2007	Becker	
D561,583 S	2/2008	Nottingham et al.	
D568,170 S	5/2008	Prini	
D594,754 S	6/2009	Dretzka	
D630,939 S *	1/2011	Peters et al.	D9/420
D631,268 S	1/2011	Yang et al.	
D633,387 S	3/2011	Gatto	
2007/0000936 A1	1/2007	Wu et al.	
2008/0253697 A1	10/2008	O'Neill et al.	

**OTHER PUBLICATIONS**

U.S. Appl. No. 61/386,206, filed Sep. 24, 2010, Richard Shane Mays, et al.  
U.S. Appl. No. 29/376,269, filed Oct. 5, 2010, Lucio Frias.  
U.S. Appl. No. 29/376,270, filed Oct. 5, 2010, Lucio Frias.  
U.S. Appl. No. 29/376,272, filed Oct. 5, 2010, Lucio Frias.  
U.S. Appl. No. 29/376,273, filed Oct. 5, 2010, Lucio Frias.

(Continued)

*Primary Examiner* — Susan Bennett Hattan  
(74) *Attorney, Agent, or Firm* — Amy M. Foust; Abbey A. Lopez

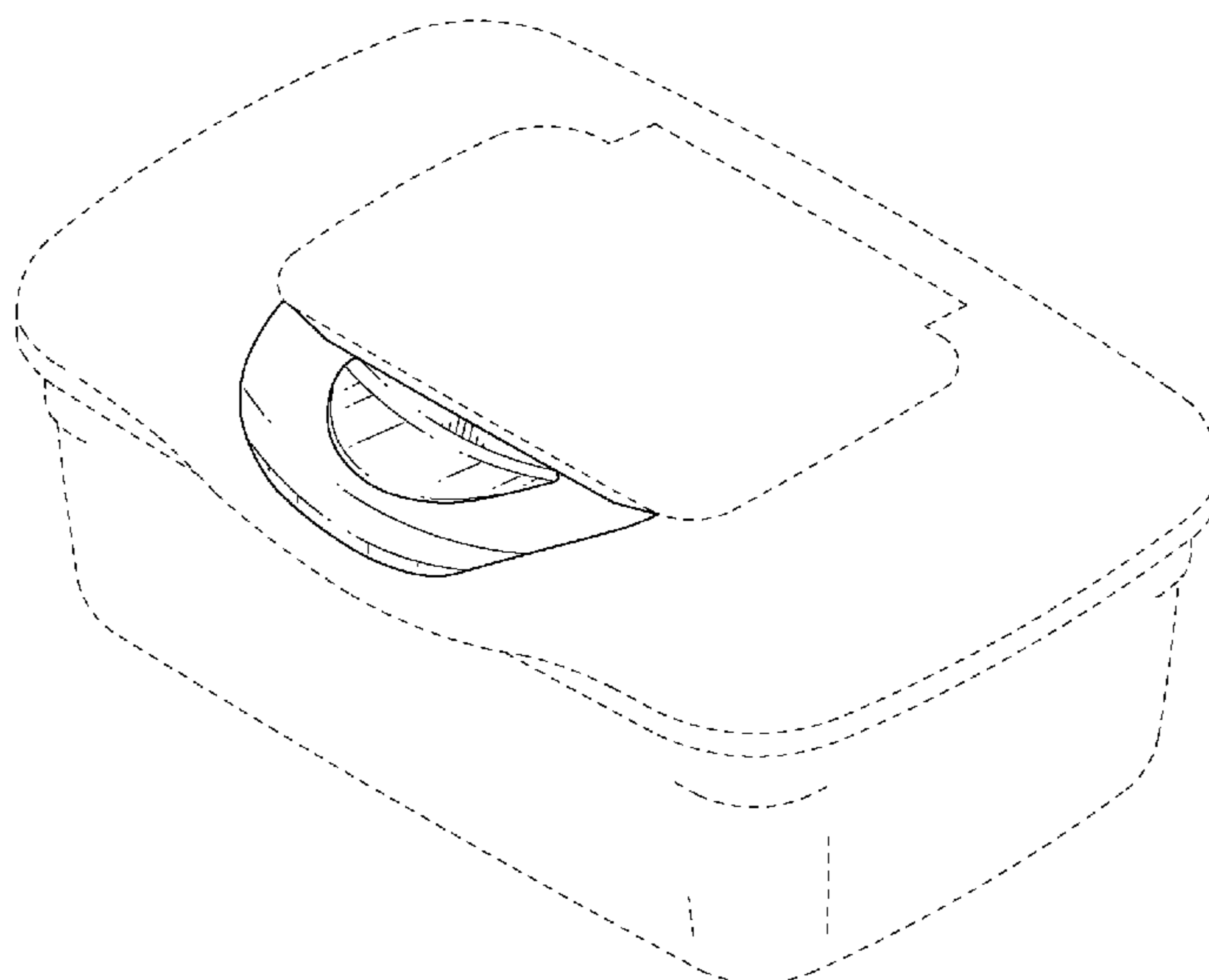
(57) **CLAIM**

The ornamental design for a container for cleansing wipes, as shown and described.

**DESCRIPTION**

FIG. 1 is a perspective view of a container for cleansing wipes showing my new design;  
FIG. 2 is a front elevational view thereof;  
FIG. 3 is a rear elevational view thereof;  
FIG. 4 is a left side elevational view thereof;  
FIG. 5 is a right side elevational view thereof;  
FIG. 6 is a top elevational view thereof;  
FIG. 7 is a bottom elevational view thereof; and,  
FIG. 8 is a sectional view thereof along plane 8 of FIG. 6.  
The broken lines in the drawing depict environmental subject matter only and form no part of the claimed design.

**1 Claim, 5 Drawing Sheets**



# US D651,511 S

Page 2

---

## OTHER PUBLICATIONS

U.S. Appl. No. 29/376,276, filed Oct. 5, 2010, Lucio Frias.

U.S. Appl. No. 29/376,279, filed Oct. 5, 2010, Lucio Frias.

\* cited by examiner

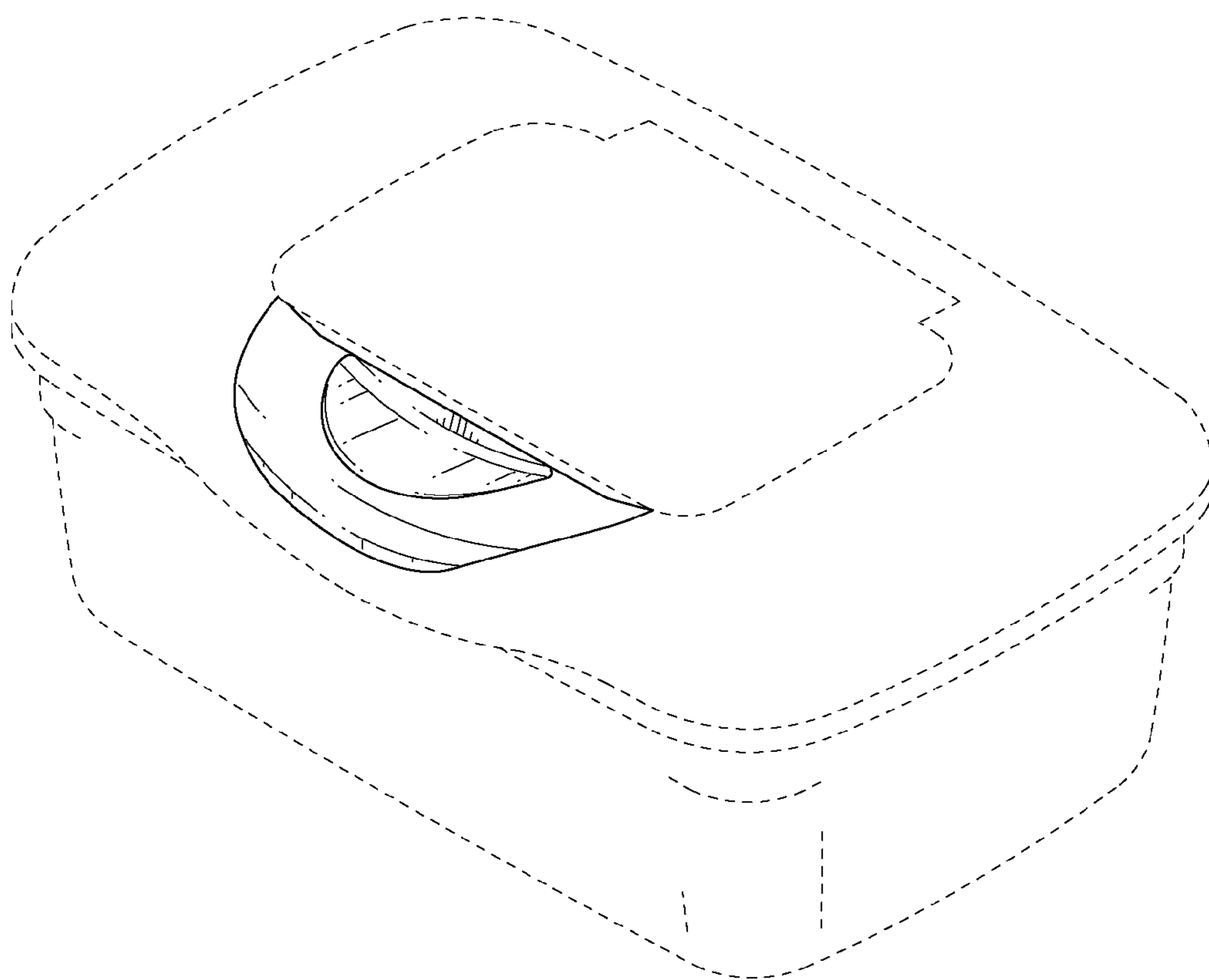


FIG. 1

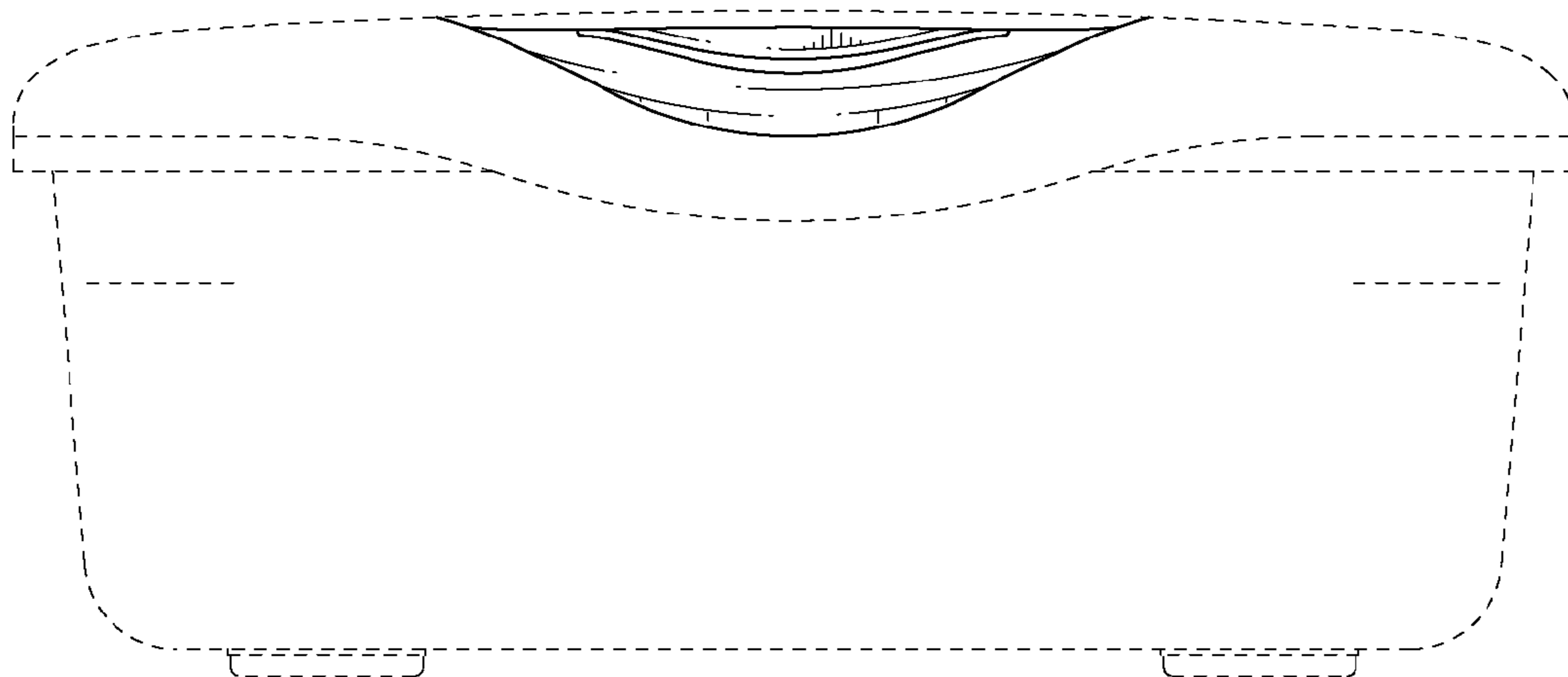


FIG. 2

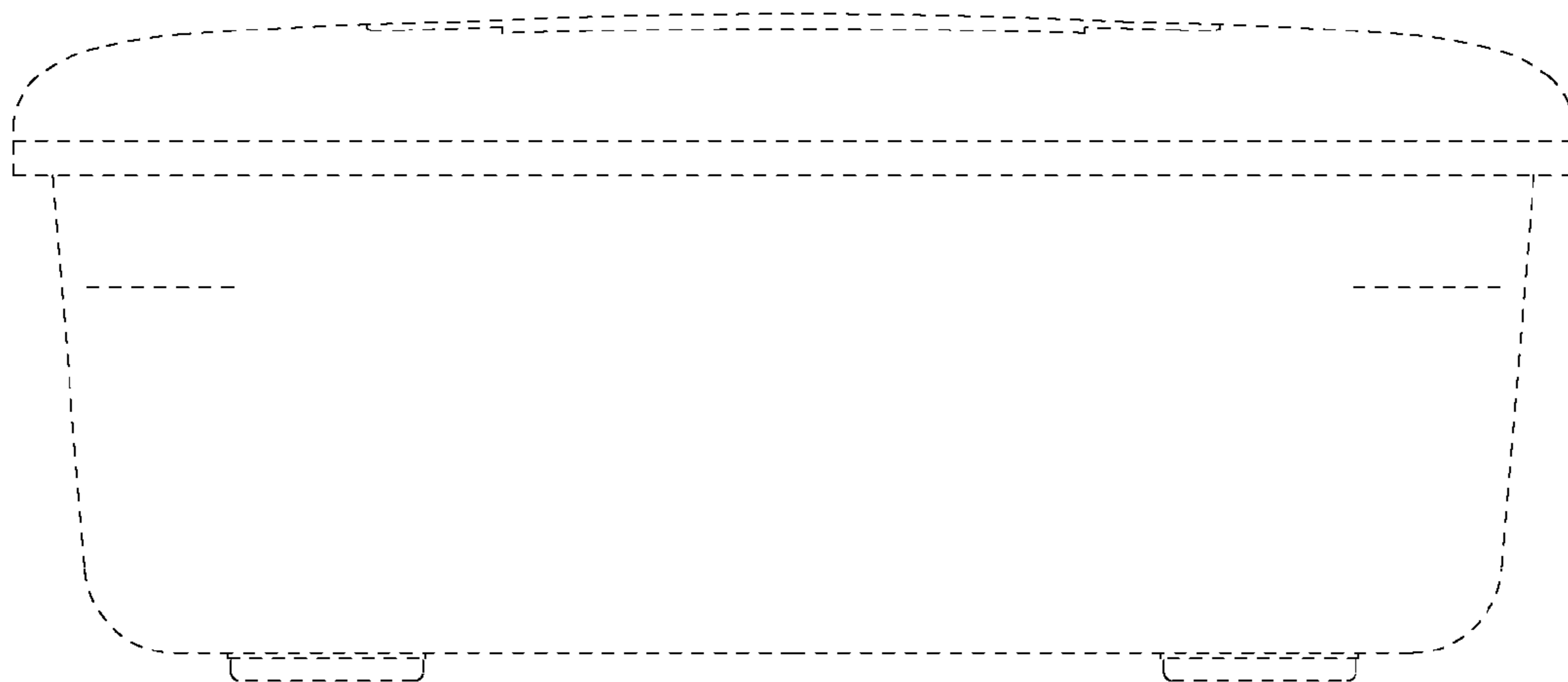


FIG. 3

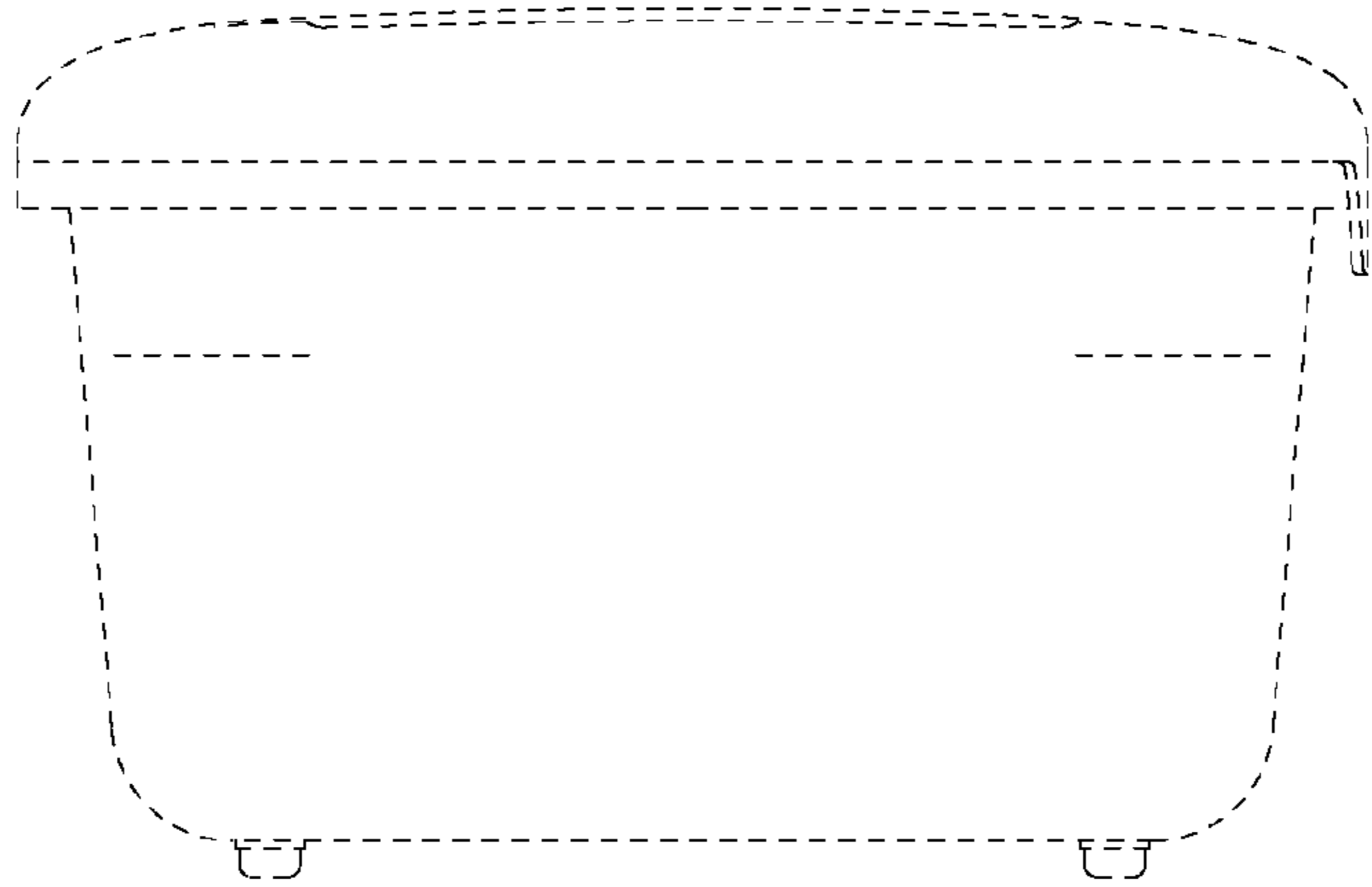


FIG. 4

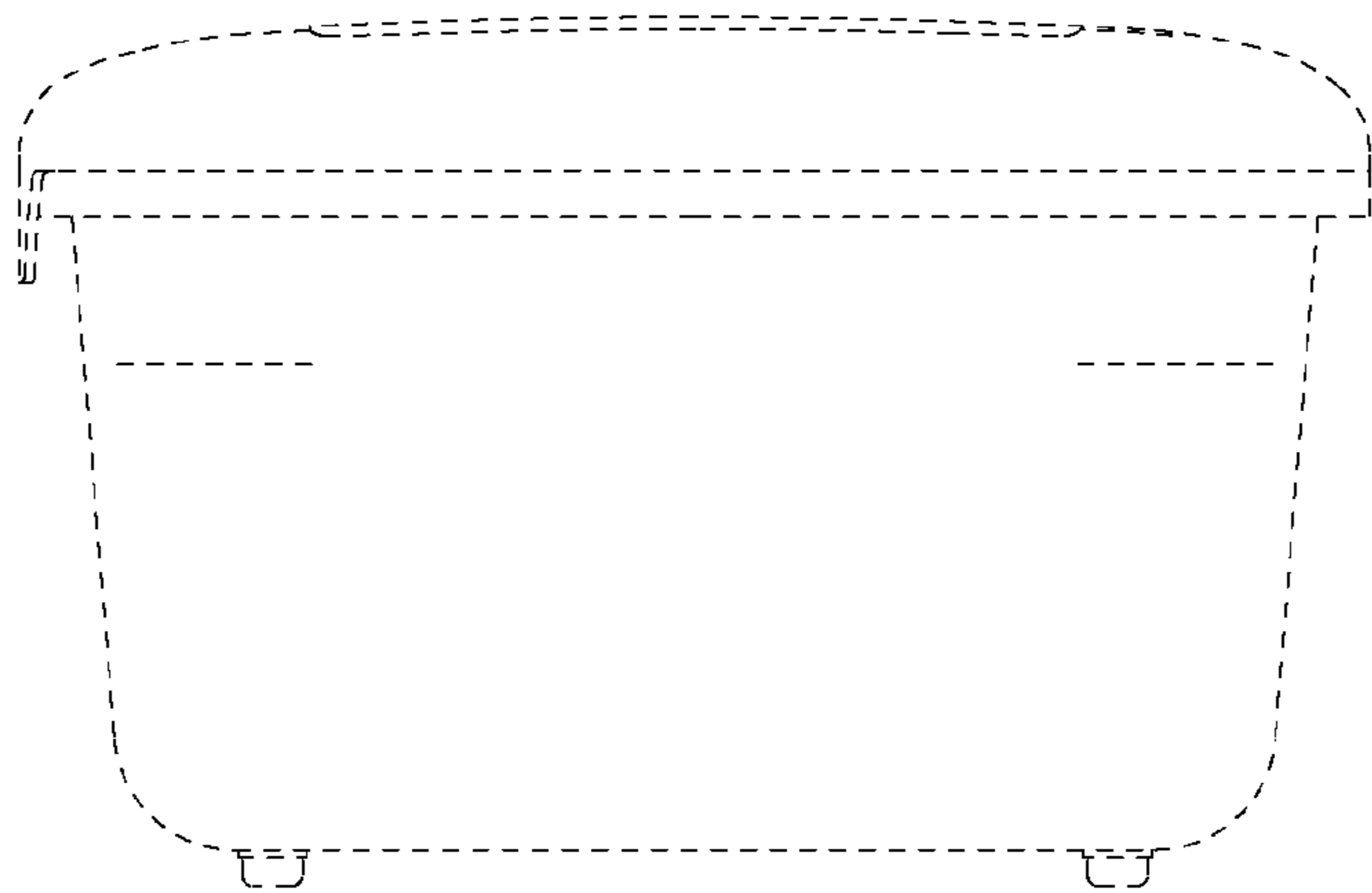


FIG. 5

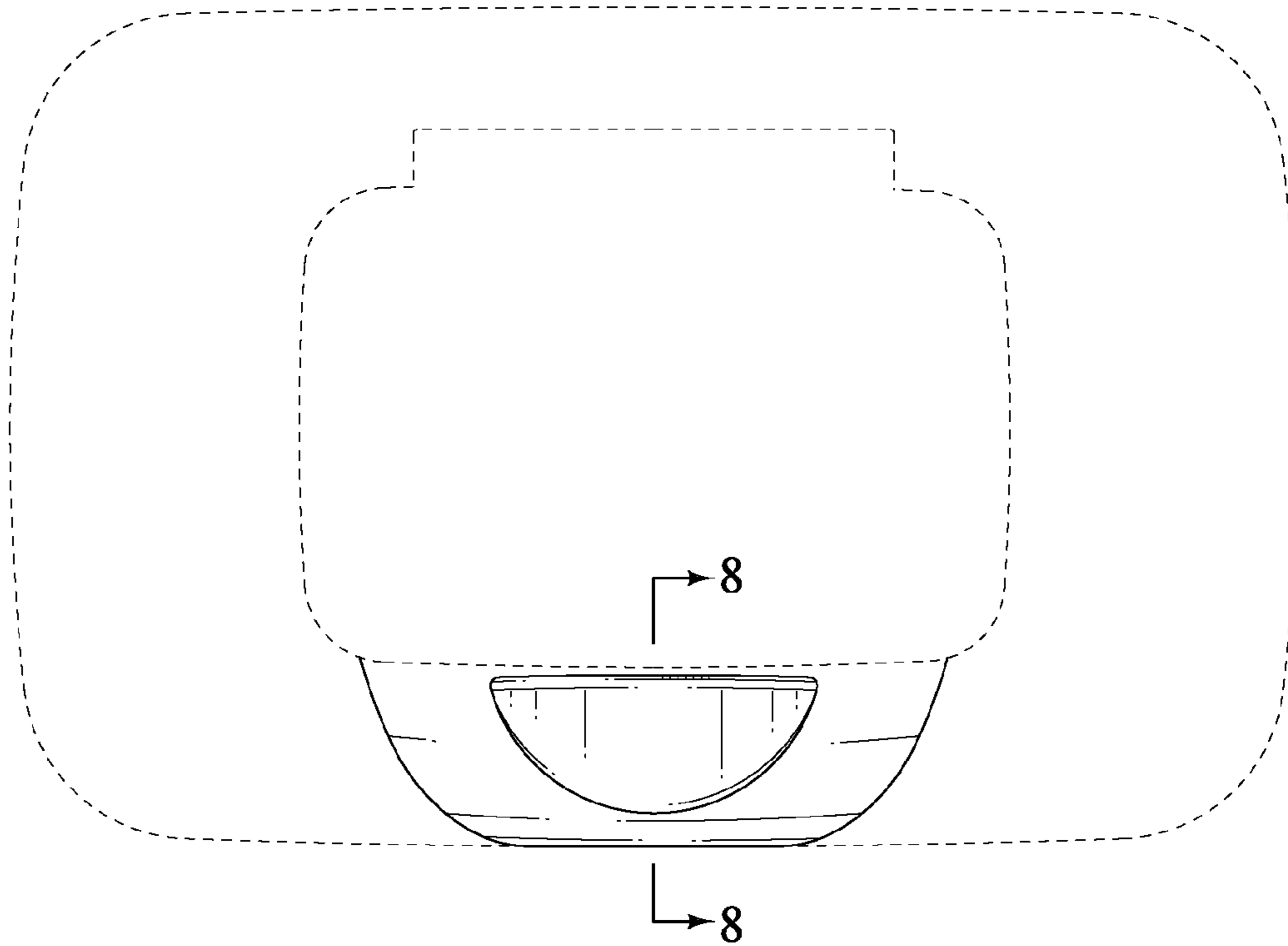


FIG. 6

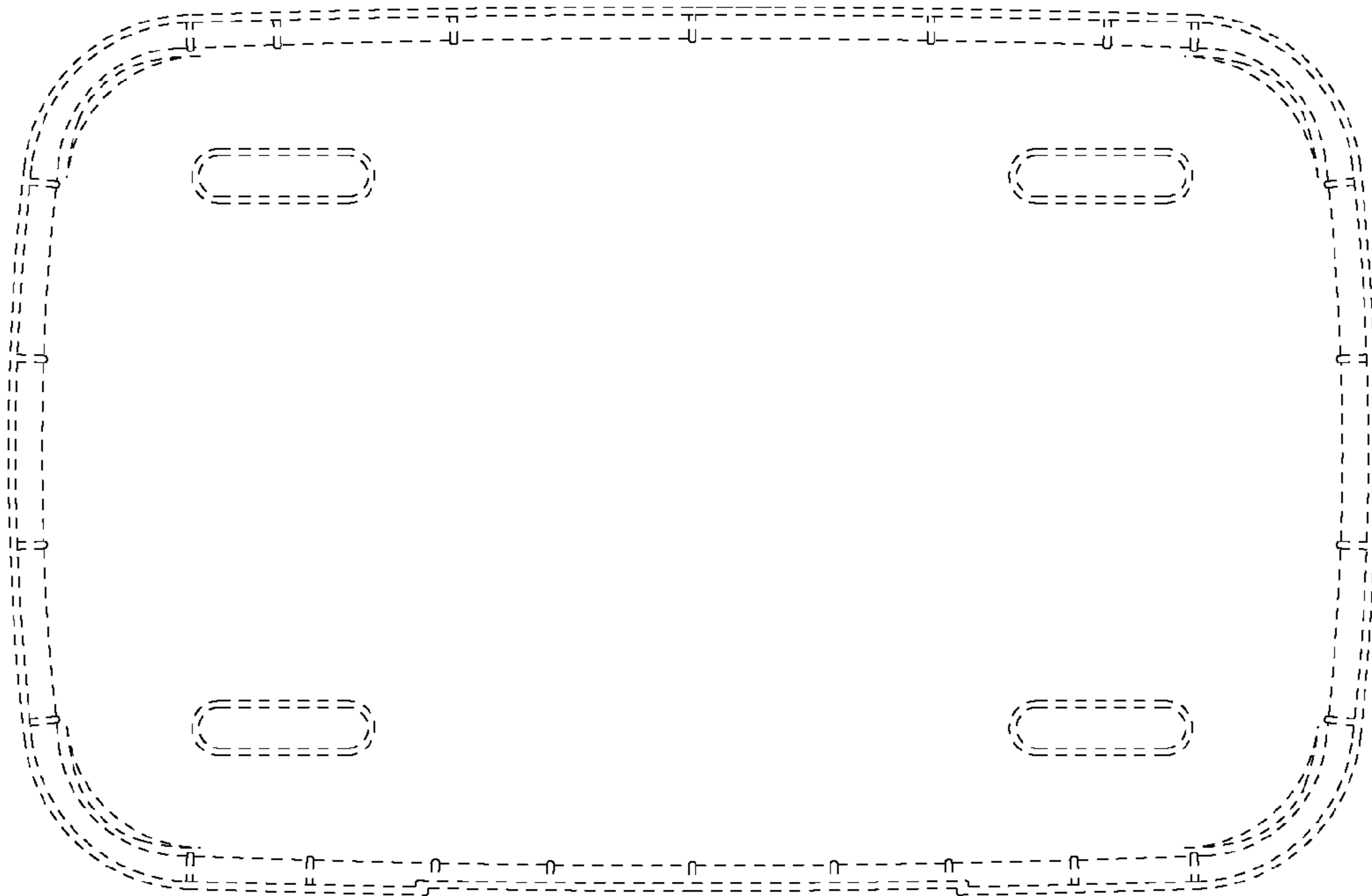


FIG. 7

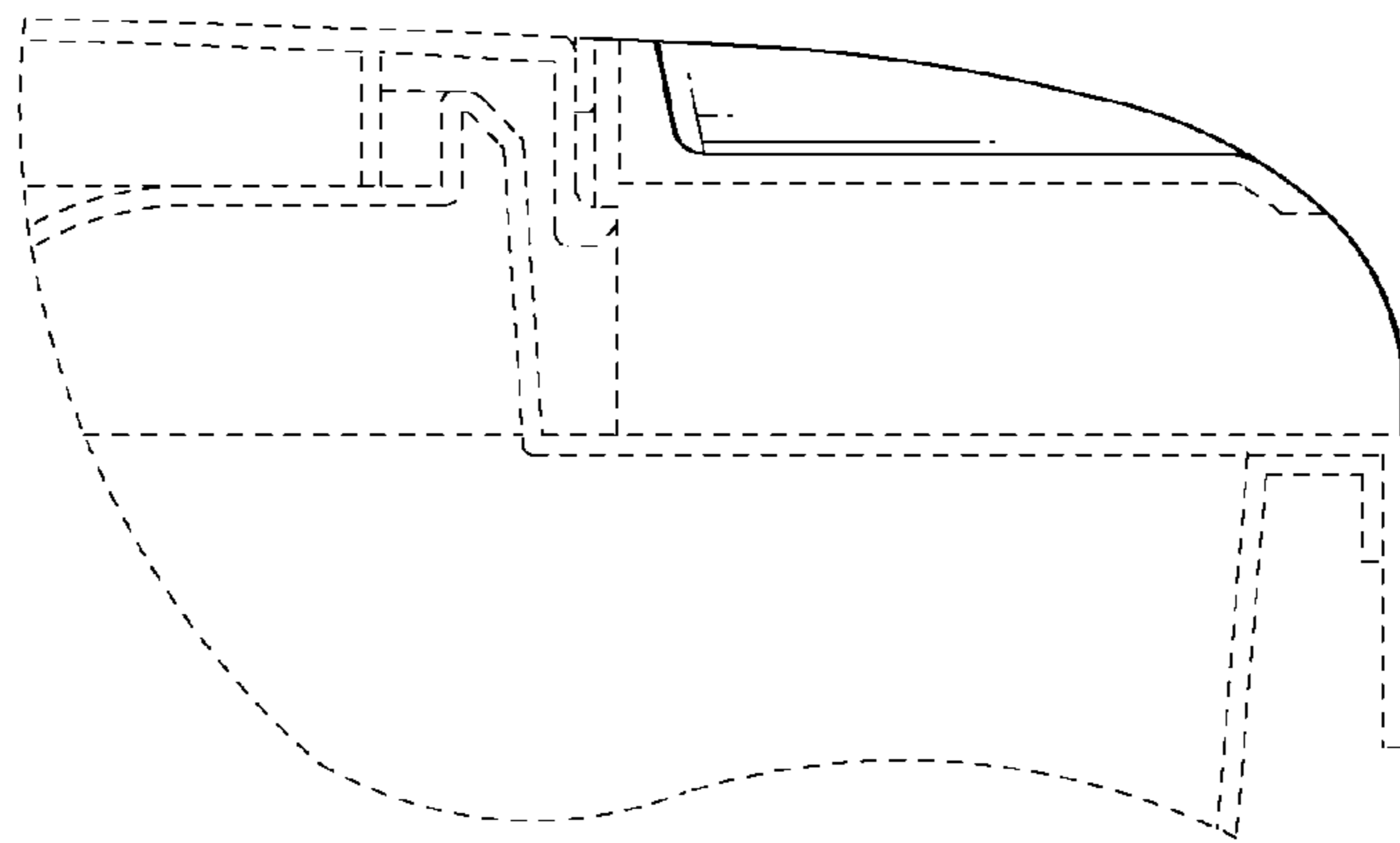


FIG. 8