



US00D651509S

(12) **United States Design Patent**
Methe et al.

(10) **Patent No.:** **US D651,509 S**

(45) **Date of Patent:** **** Jan. 3, 2012**

(54) **DISPLAY PACKAGE**

(75) Inventors: **Jean Mary Methe**, Bethel, CT (US);
Brice Daniel Westring, Bethel, CT
(US); **Arseni Valerevich Radomyselski**,
Ridgefield, CT (US); **Terry Lee**
Hamilton, Danbury, CT (US)

(73) Assignee: **The Gillette Company**, Boston, MA
(US)

(**) Term: **14 Years**

(21) Appl. No.: **29/362,960**

(22) Filed: **Jun. 2, 2010**

(51) **LOC (9) Cl.** **09-07**

(52) **U.S. Cl.** **D9/434**

(58) **Field of Classification Search** D9/682,
D9/600, 457, 454, 441, 434, 432, 430, 415,
D9/414, 418, 704, 552, 551, 669, 750; D11/95;
D5/56; D20/40, 36, 28, 27, 26, 22, 11; D14/492,
D14/489, 486; 715/976, 840, 764, 715; 229/923,
229/922, 87.19, 116.5, 116.1, 100; 220/694,
220/376

See application file for complete search history.

(56) **References Cited**

U.S. PATENT DOCUMENTS

D51,211 S * 8/1917 Page D11/95
D51,212 S * 8/1917 Page D11/95
D129,731 S * 9/1941 Lutrel D9/418
D344,102 S * 2/1994 Polak et al. D20/11

D494,061 S * 8/2004 Brown D9/418
D592,053 S * 5/2009 Suzuki D9/434
D628,063 S * 11/2010 Kusumi et al. D9/432

* cited by examiner

Primary Examiner — Susan Bennett Hattan

(74) *Attorney, Agent, or Firm* — Vladimir Vitenberg

(57) **CLAIM**

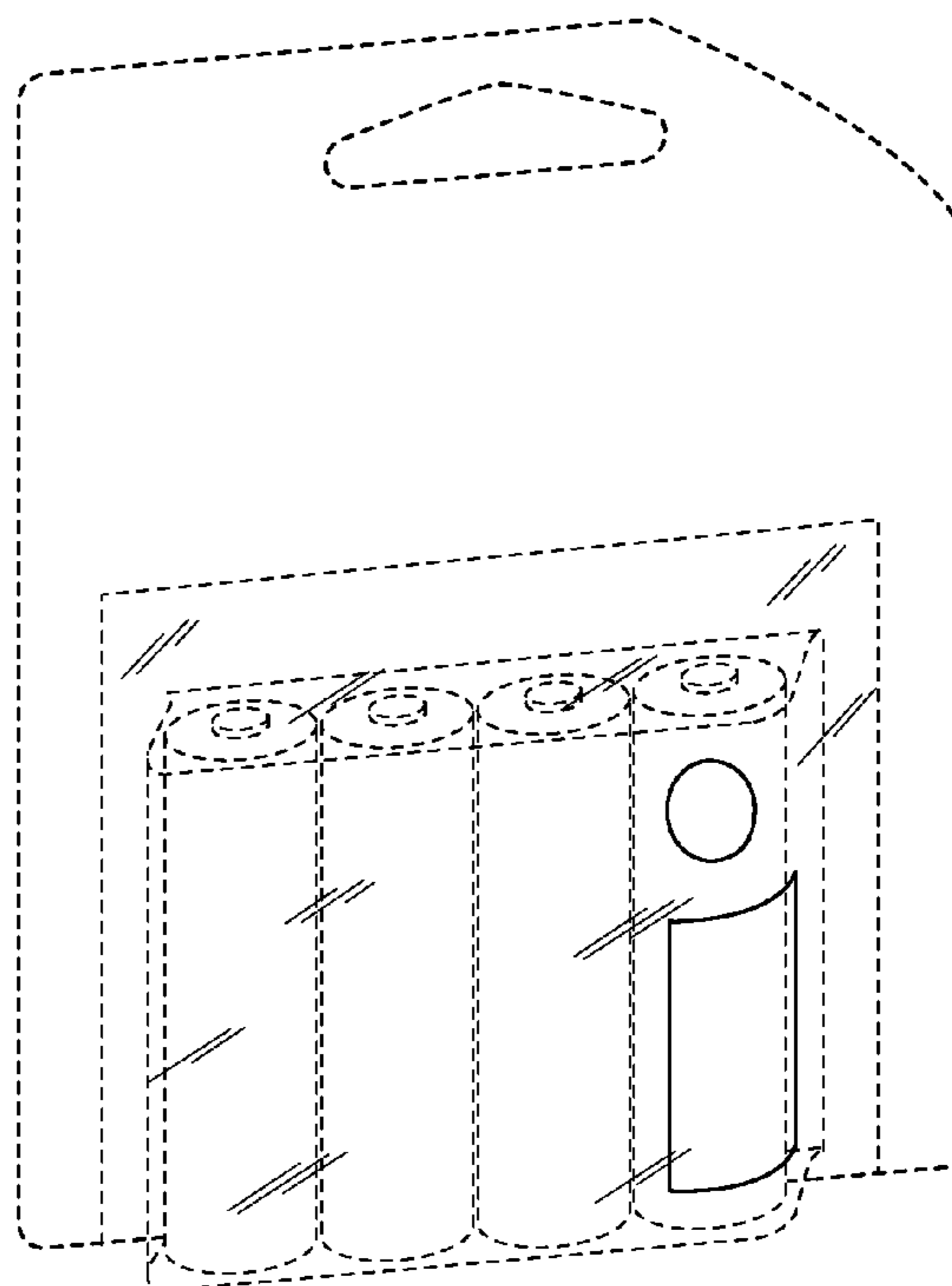
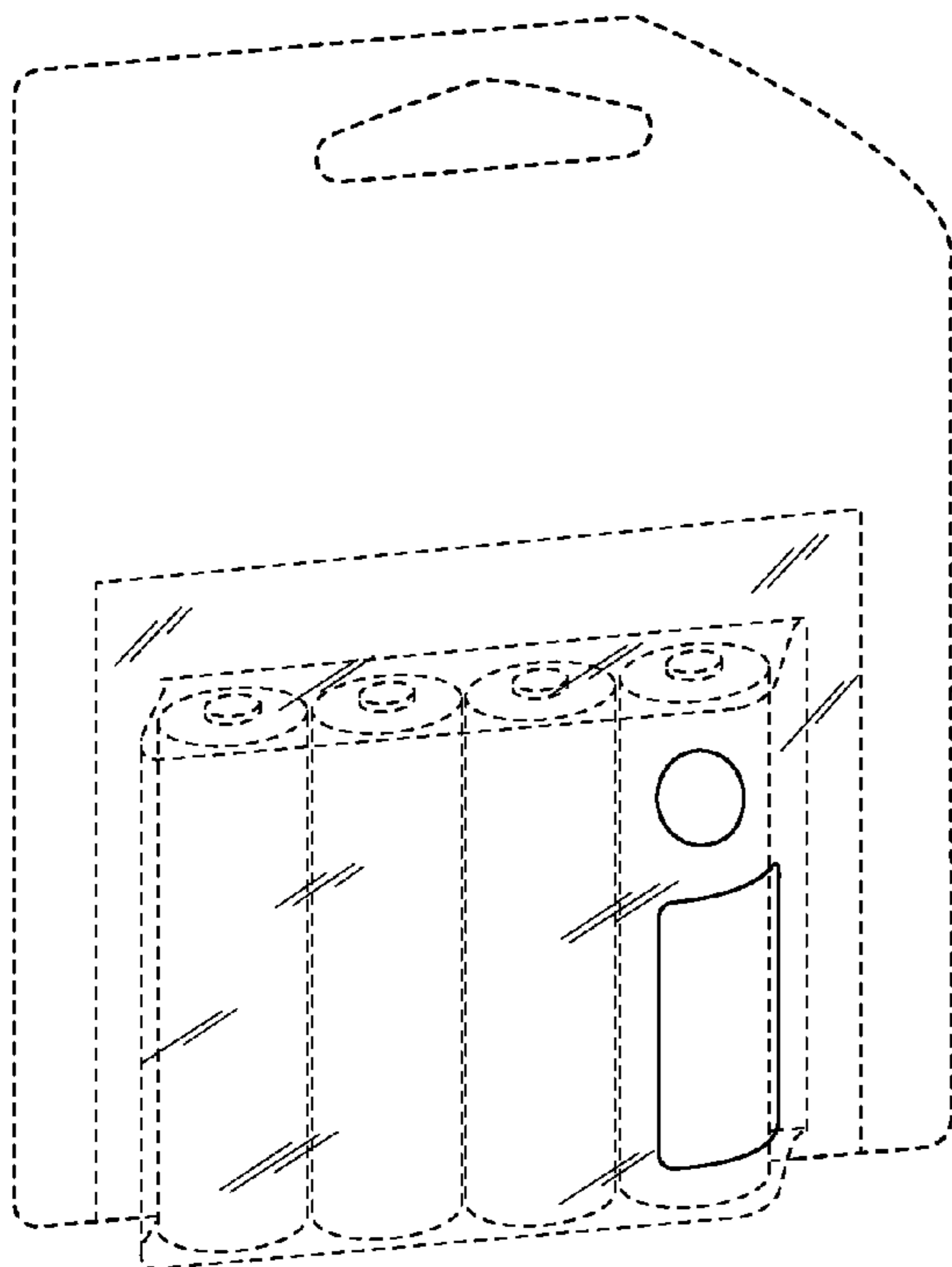
The ornamental design for a display package, as shown and described.

DESCRIPTION

FIG. 1 is a perspective view of a first embodiment of a display package, showing our new ornamental design;
FIG. 2 is a front view thereof;
FIG. 3 is a back view thereof;
FIG. 4 is a left-side view thereof;
FIG. 5 is a right-side view thereof;
FIG. 6 is a top view thereof; and
FIG. 7 is a bottom view thereof.
FIG. 8 is a perspective view of a second embodiment of a display package, showing our new ornamental design;
FIG. 9 is a front view thereof;
FIG. 10 is a back view thereof;
FIG. 11 is a left-side view thereof;
FIG. 12 is a right-side view thereof;
FIG. 13 is a top view thereof; and,
FIG. 14 is a bottom view thereof.

The dashed / dotted and broken lines depict environmental subject matter only and form no part of the claimed design.

1 Claim, 4 Drawing Sheets



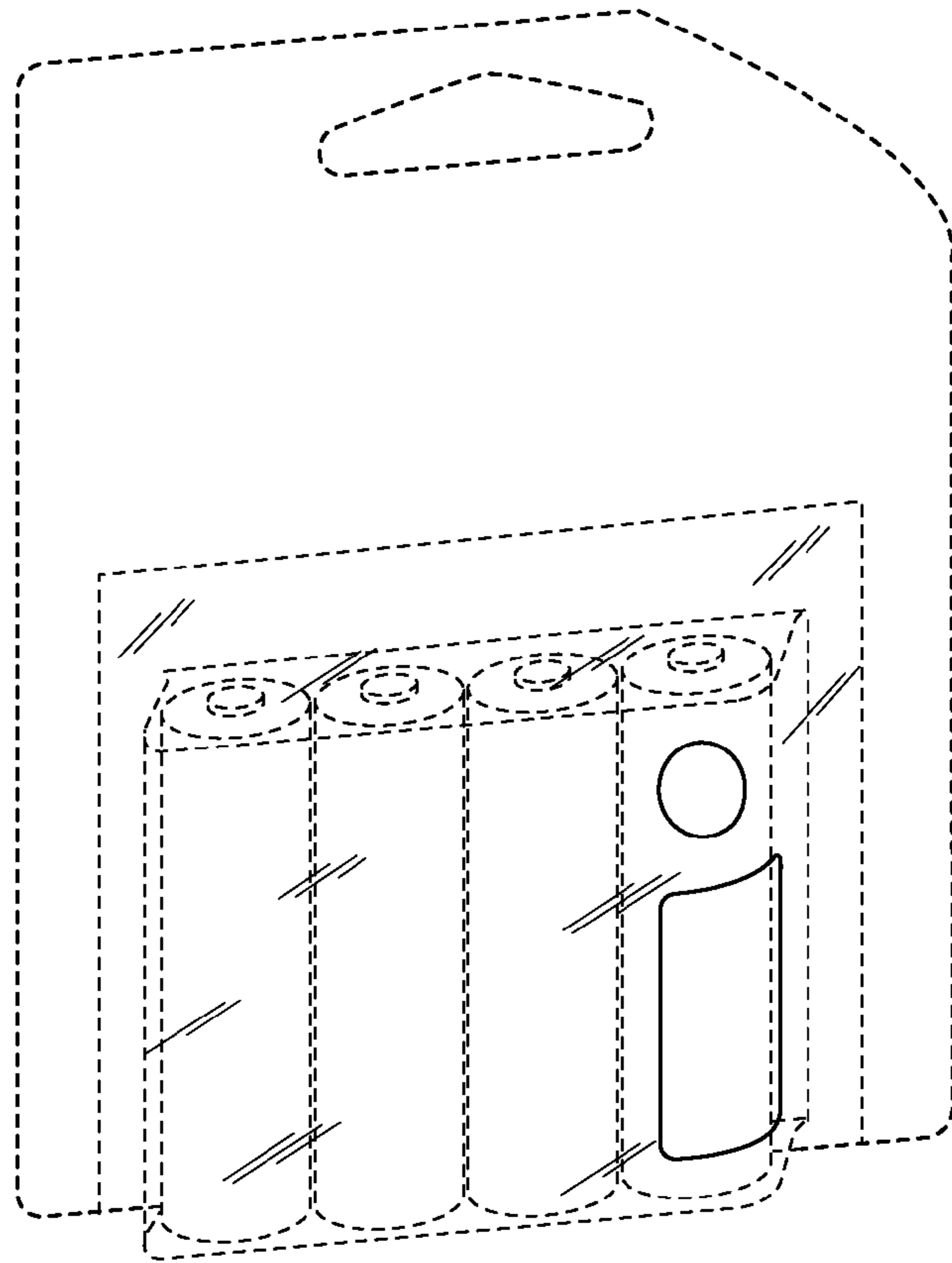


Fig. 1

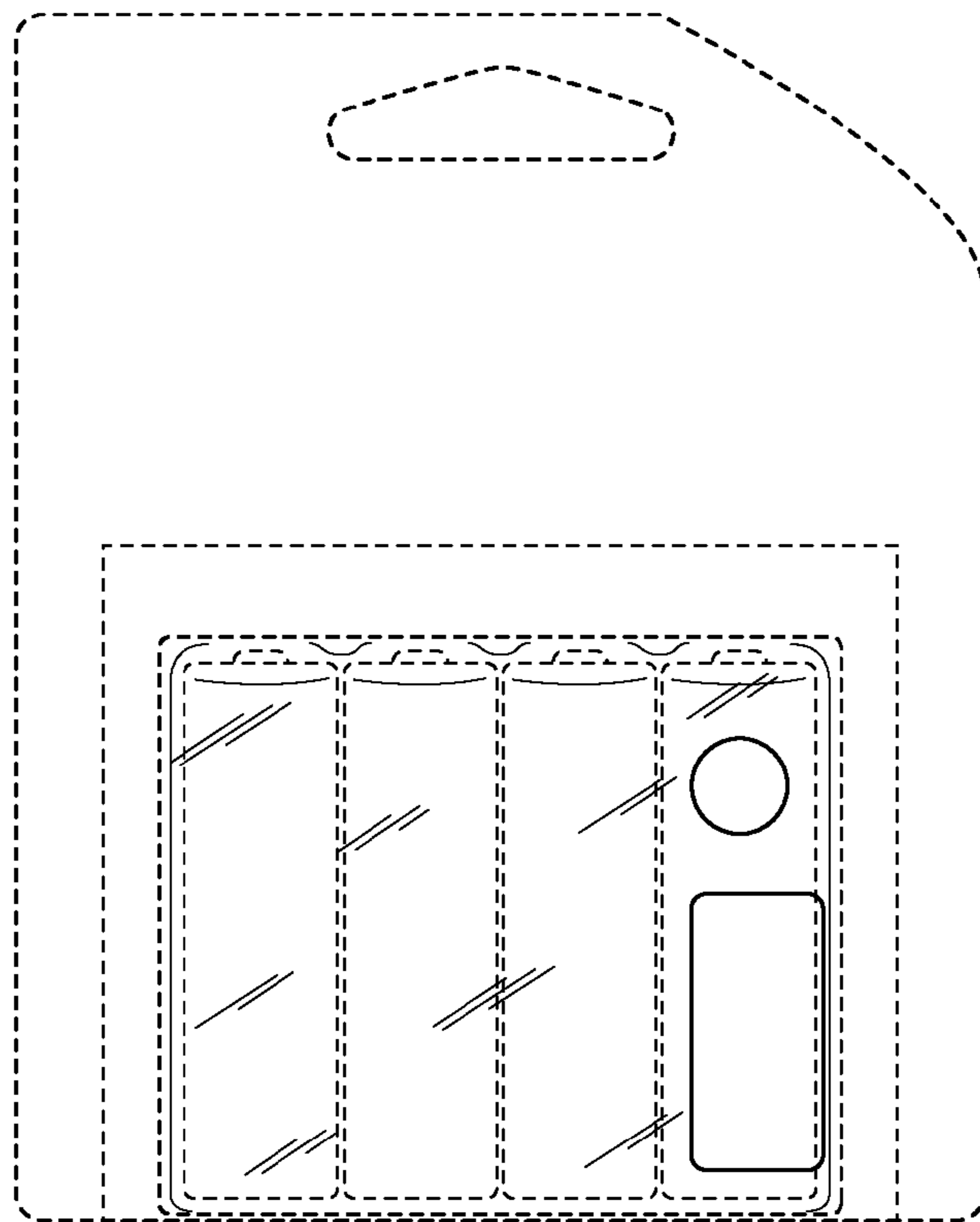


Fig. 2

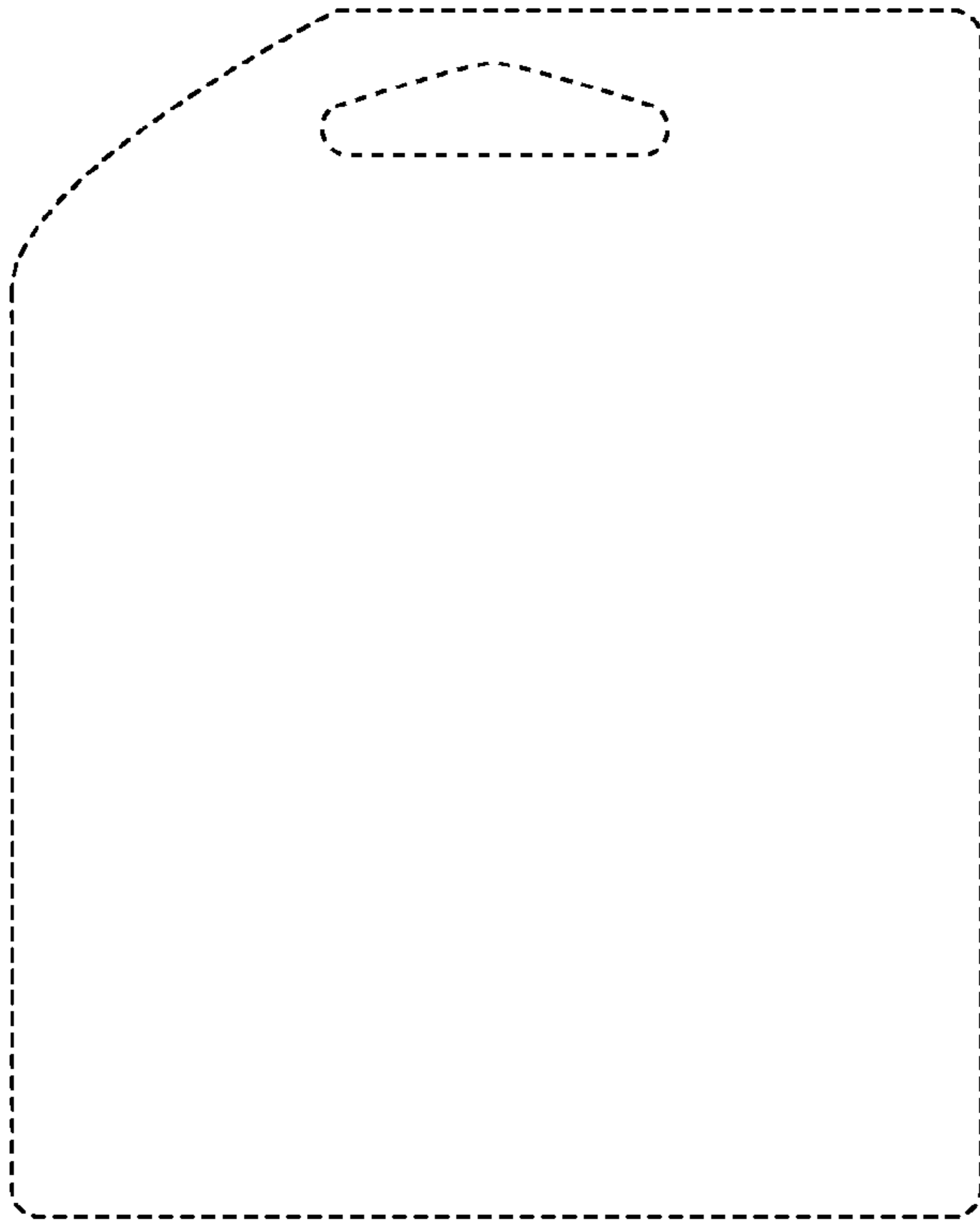


Fig. 3

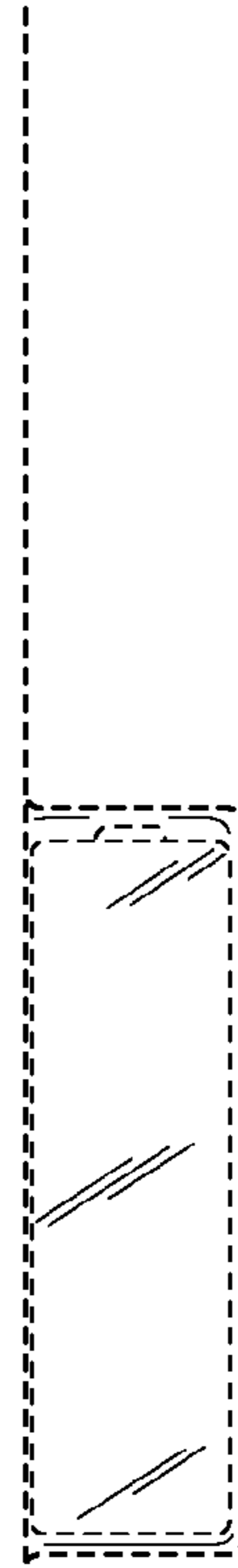


Fig. 4



Fig. 5



Fig. 6

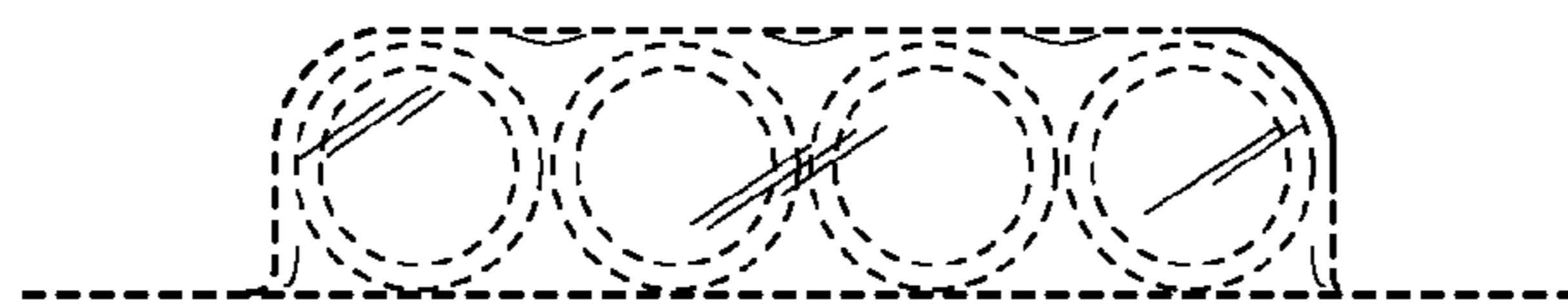


Fig. 7

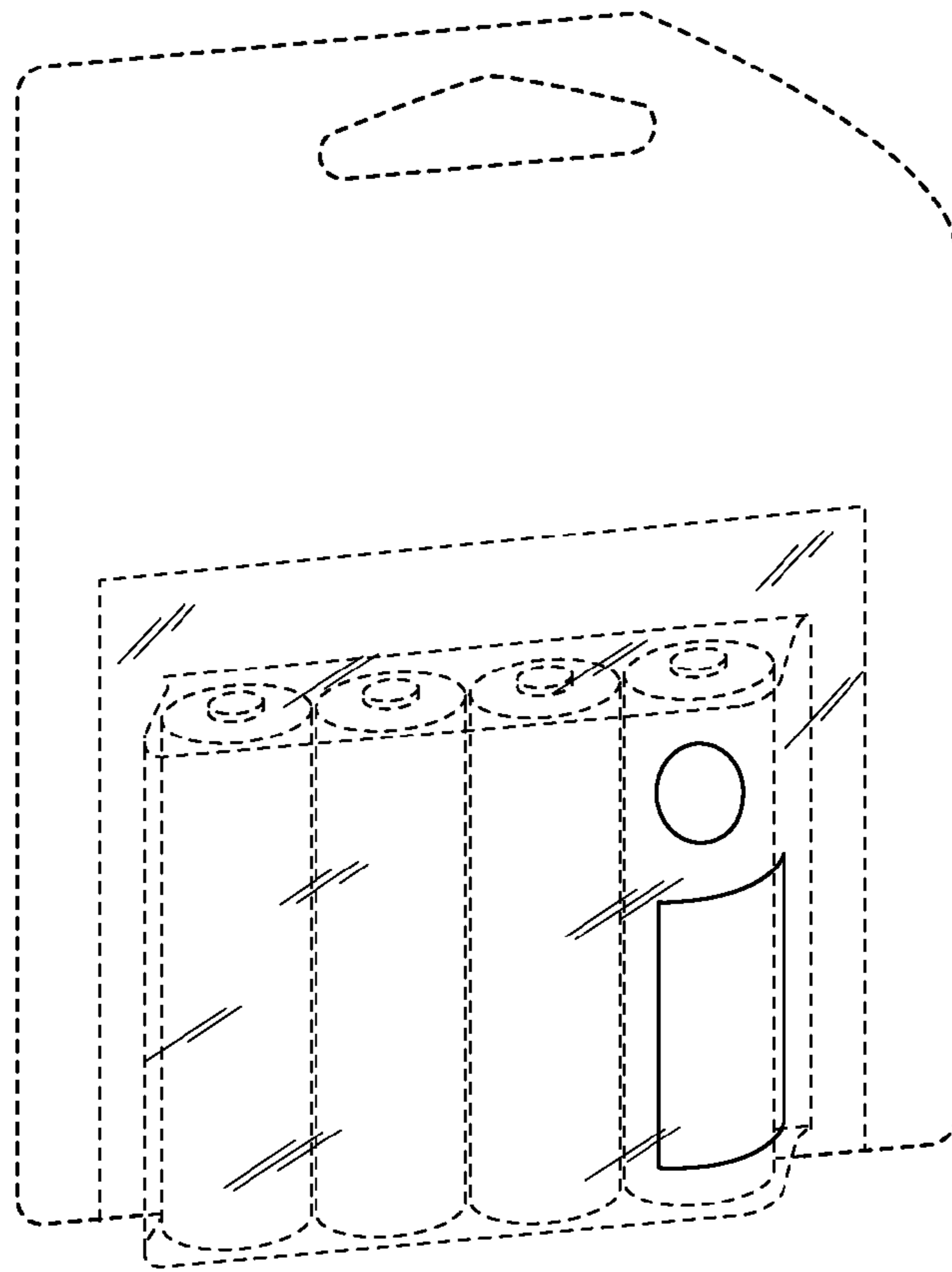


Fig. 8

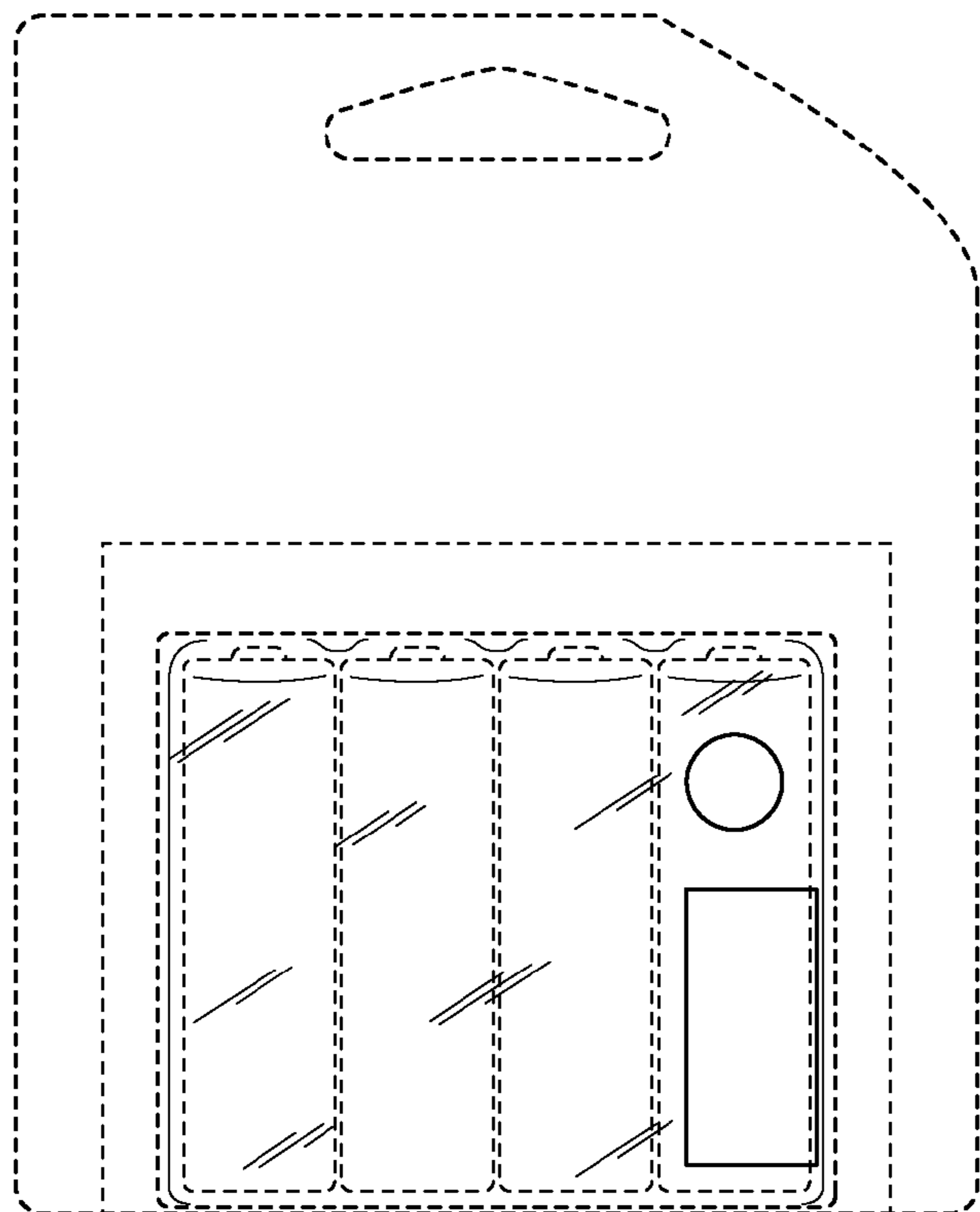


Fig. 9

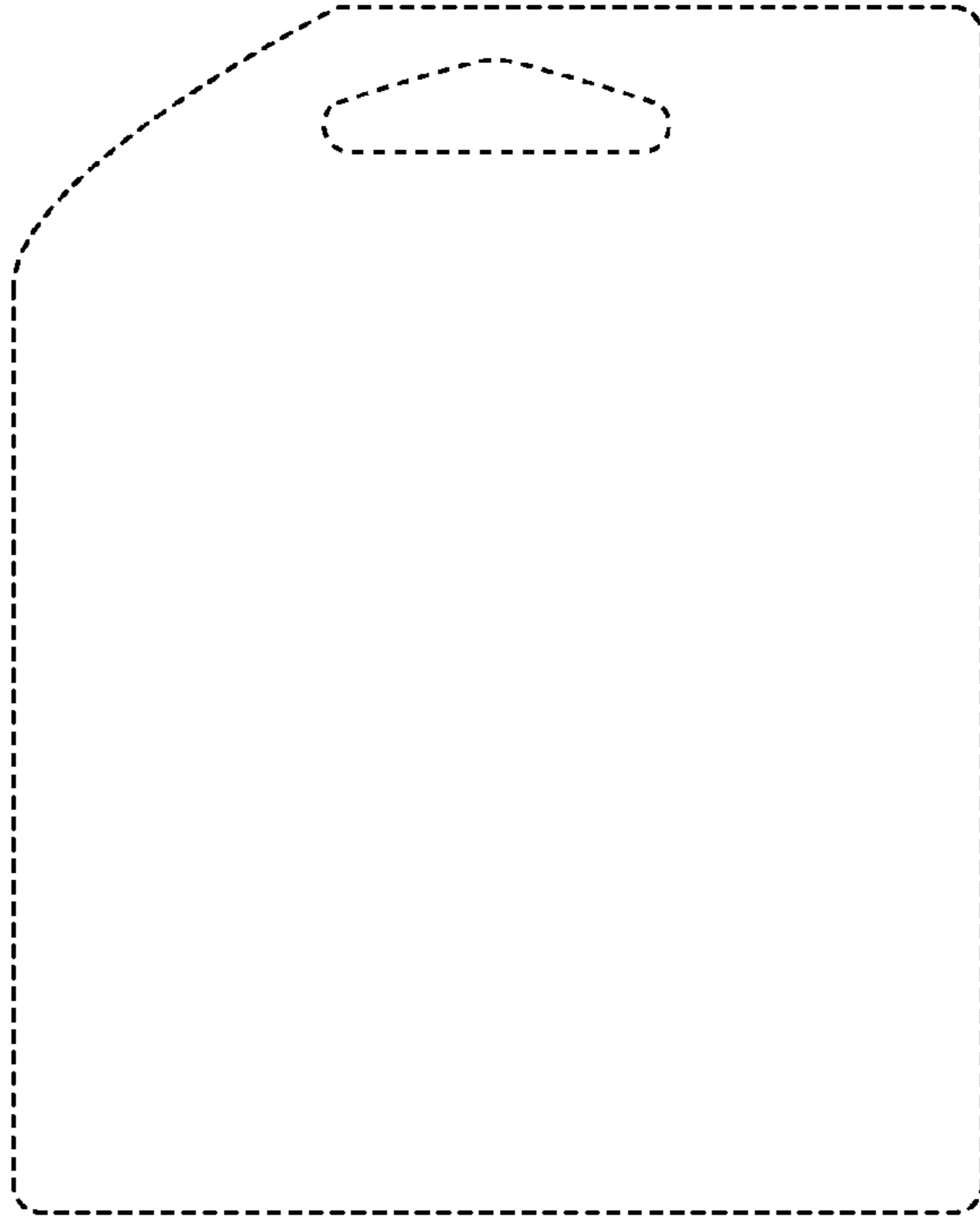


Fig. 10



Fig. 11



Fig. 12



Fig. 13



Fig. 14