



US00D651508S

(12) **United States Design Patent**
Layfield

(10) **Patent No.:** **US D651,508 S**
(45) **Date of Patent:** **** Jan. 3, 2012**

(54) **SEALABLE CONTAINER ASSEMBLY**

(75) Inventor: **Stephen Layfield**, Surry Hills (AU)

(73) Assignee: **Stephen Layfield**, Surry Hills (AU)

(**) Term: **14 Years**

(21) Appl. No.: **29/375,558**

(22) Filed: **Sep. 24, 2010**

(30) **Foreign Application Priority Data**

Mar. 24, 2010 (AU) 11027/2010

(51) **LOC (9) Cl.** **09-03**

(52) **U.S. Cl.** **D9/416; D9/425; D9/737**

(58) **Field of Classification Search** D9/737,
D9/414-416, 418-420, 423-428, 430-432,
D9/434, 558; D7/354, 396.1, 392.1, 394,
D7/509, 523, 531-532, 538, 543-545, 550.1,
D7/551, 554.3, 584, 587, 566, 586, 602, 605,
D7/629, 667; 220/359.1, 802, 4.22-4.24,
220/359.2, 359.3, 574, 604-608, 659, 669,
220/675, 781-782, 793, 835, 839, DIG. 14;
206/119, 213, 278, 470, 508, 545, 763, 775,
206/806; 229/117.9, 406, 407, 4.5, 87.08,
229/92.7, 123.1, 245, 125.25, 141, 170; 219/725,
219/735; 428/34.1

See application file for complete search history.

(56) **References Cited**

U.S. PATENT DOCUMENTS

D234,026	S	*	12/1974	Winter	D24/224
4,044,941	A	*	8/1977	Knudsen	220/258.3
4,215,797	A	*	8/1980	Chen	220/359.4
D265,798	S	*	8/1982	Ossola	D9/429
D317,569	S	*	6/1991	Lane, Sr.	D9/425
5,116,651	A	*	5/1992	Katsura et al.	428/35.7
5,316,603	A	*	5/1994	Akazawa et al.	156/69
D385,785	S	*	11/1997	Correll	D9/430
D389,741	S	*	1/1998	Barrie, II	D9/429
D394,005	S	*	5/1998	Marijnissen	D9/416

D403,467	S	*	12/1998	Krawec et al.	D27/190
D445,674	S	*	7/2001	Pritchett	D9/707
6,460,720	B1	*	10/2002	Massey et al.	220/359.1
D532,689	S	*	11/2006	Rotta	D9/611
D543,843	S	*	6/2007	Gehring et al.	D9/425
7,267,243	B2	*	9/2007	Steg	220/359.4
D553,435	S	*	10/2007	de Groot	D7/509
D568,093	S	*	5/2008	Hocutt	D7/356
7,475,780	B2	*	1/2009	Hinze et al.	206/469
D604,157	S	*	11/2009	Reiterer et al.	D9/416
D607,329	S	*	1/2010	Diss	D9/500

(Continued)

Primary Examiner — Mark Goodwin

(74) *Attorney, Agent, or Firm* — Edwards Wildman Palmer LLP; Jeffrey D. Hsi; David I. Greenbaum

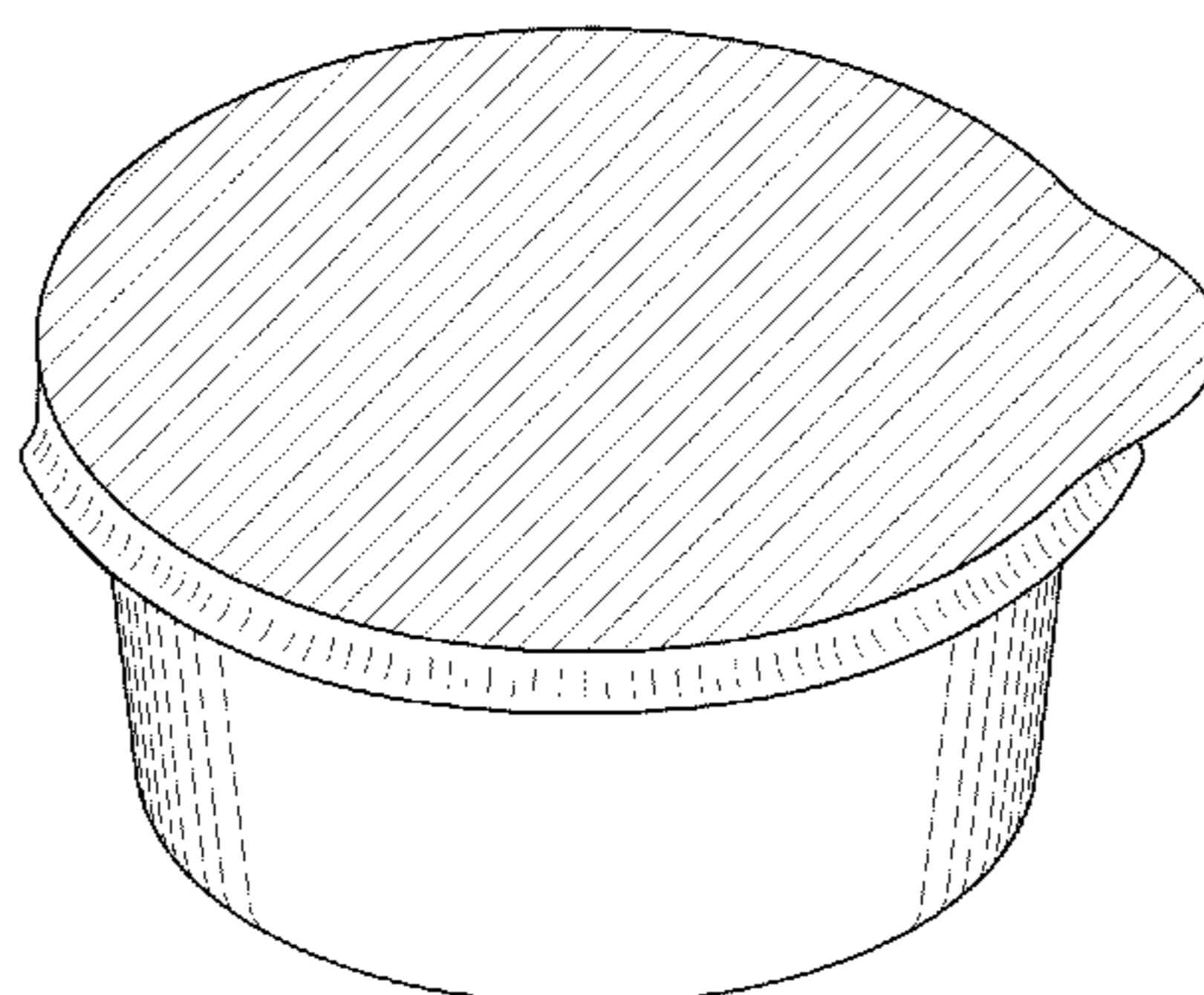
(57) **CLAIM**

The ornamental design for a sealable container assembly, as shown and described.

DESCRIPTION

FIG. 1 is a top perspective view of a sealable container assembly showing my new design in a closed condition;
 FIG. 2 is a top perspective view thereof shown in partially open condition;
 FIG. 3 is a top perspective view thereof shown with the seal portion removed;
 FIG. 4 is a bottom perspective view thereof;
 FIG. 5 is a top plan view thereof with the seal portion removed;
 FIG. 6 is a bottom plan view thereof;
 FIG. 7 is a left side view thereof, the front view and back view being the same;
 FIG. 8 is a right side view thereof
 FIG. 9 is an exploded top perspective view thereof, showing the seal, container, and a cup;
 FIG. 10 is a top perspective view of FIG. 9 thereof shown in assembled condition;
 FIG. 11 is a top plan view of FIG. 10 thereof; and,
 FIG. 12 is a side view of FIG. 10 thereof.

1 Claim, 6 Drawing Sheets



US D651,508 S

Page 2

U.S. PATENT DOCUMENTS

D607,727 S *	1/2010	Takata et al.	D9/500	D632,563 S *	2/2011	Sitabkhan et al.	D9/435
D612,732 S *	3/2010	Takata et al.	D9/500	D642,463 S *	8/2011	Schedl et al.	D9/435
D621,667 S *	8/2010	Ablo	D7/629	2008/0061065 A1 *	3/2008	Aronson et al.	220/556
D630,525 S *	1/2011	Patel et al.	D9/737				

* cited by examiner

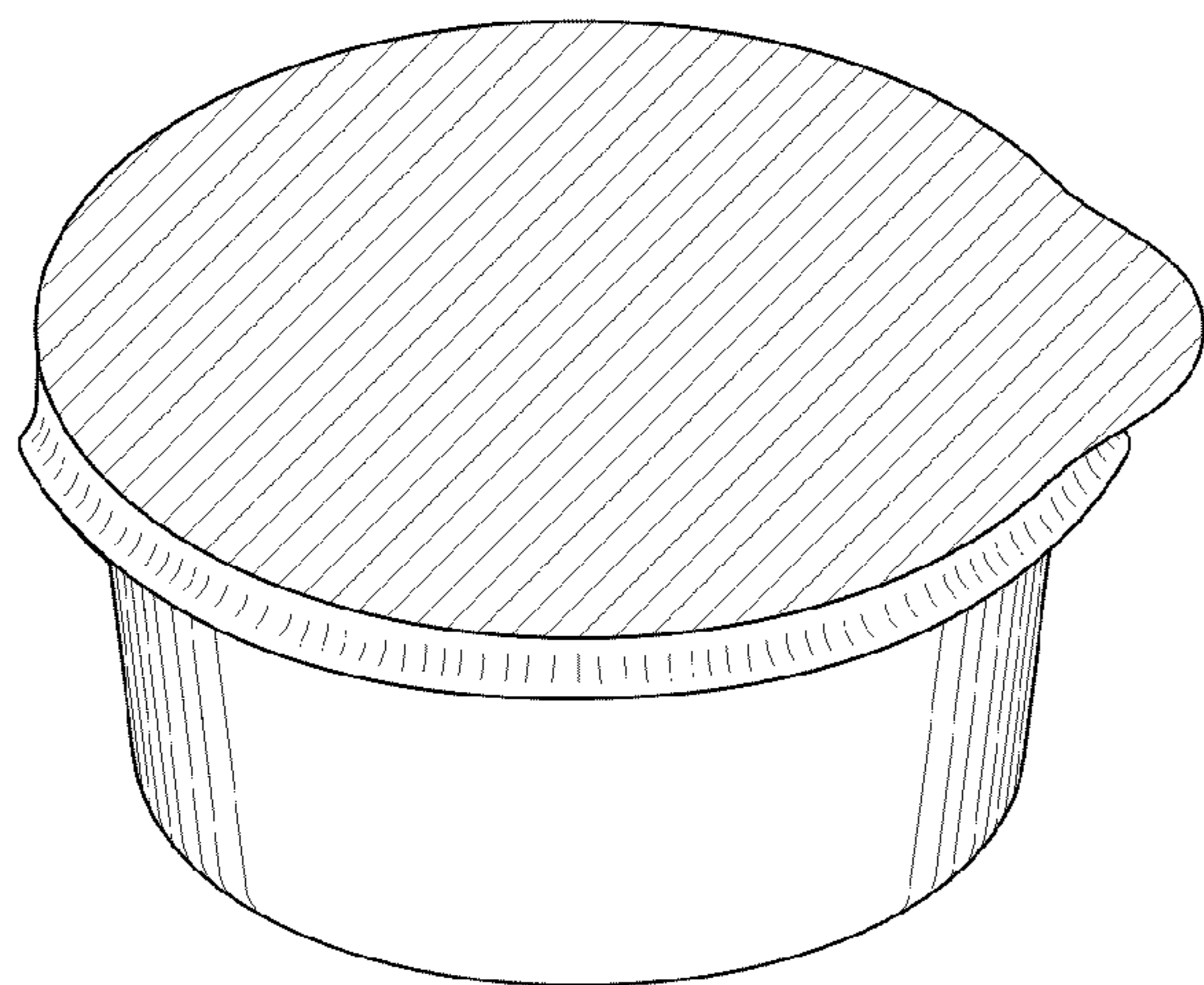


FIG. 1

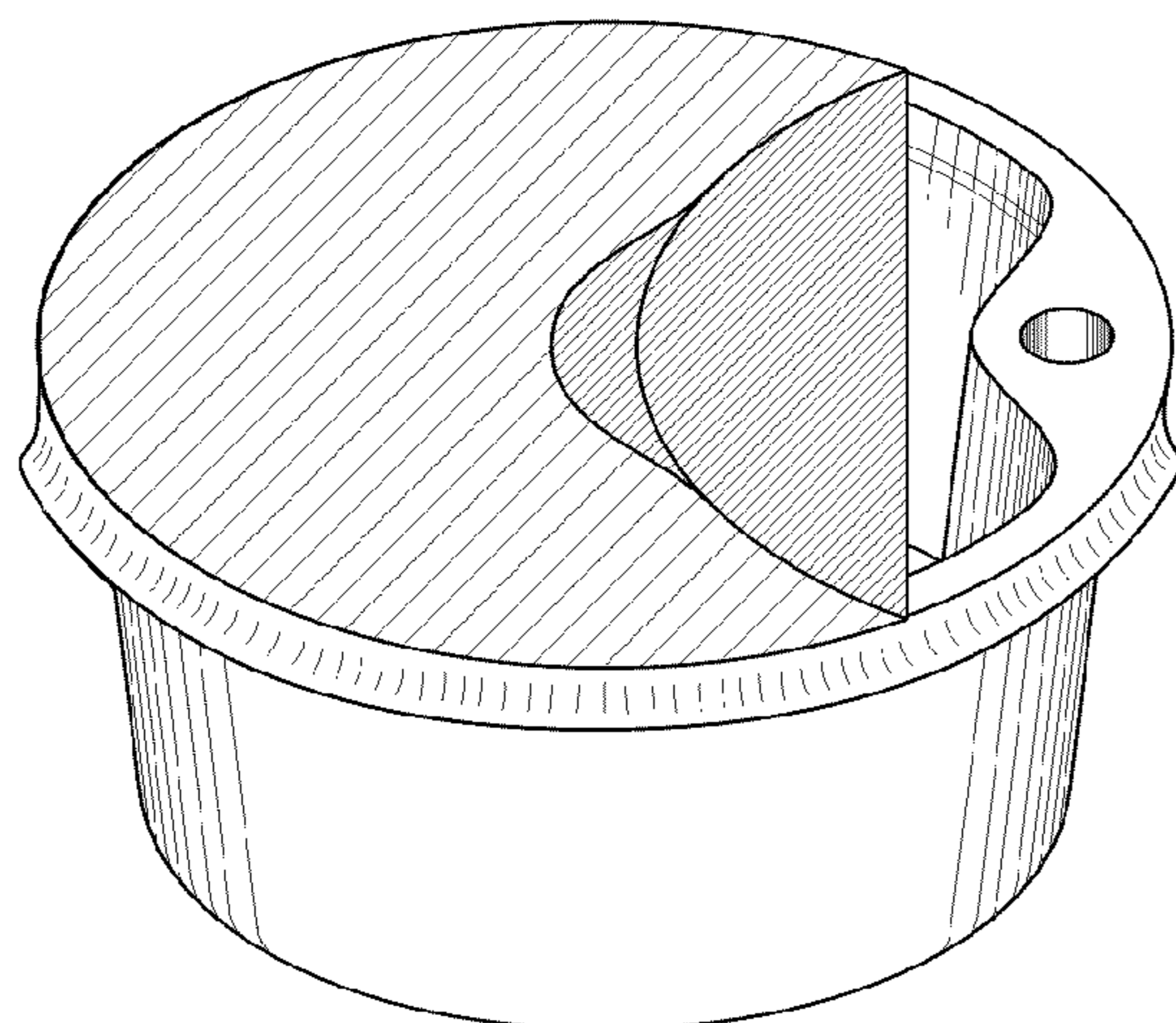


FIG. 2

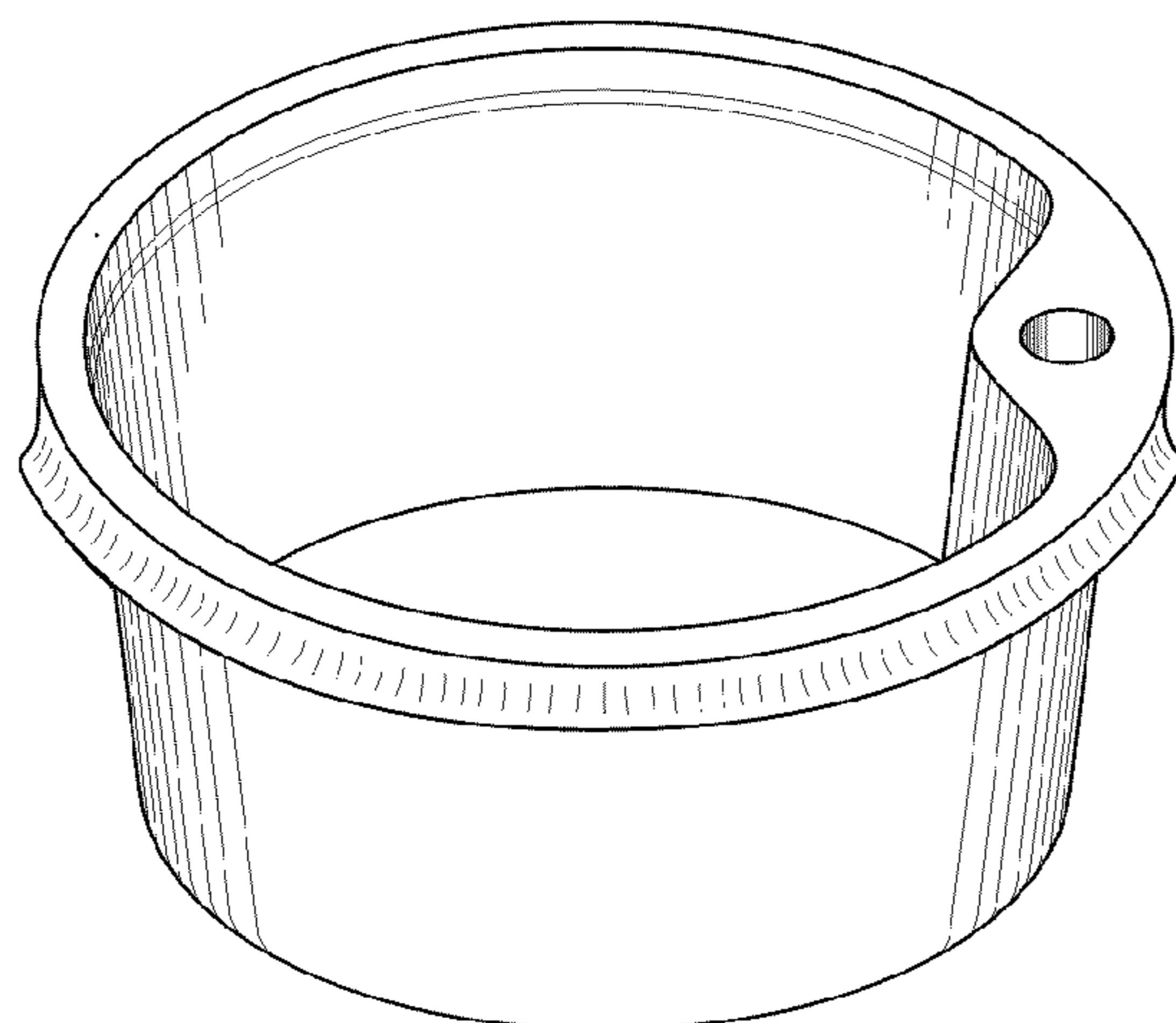


FIG. 3

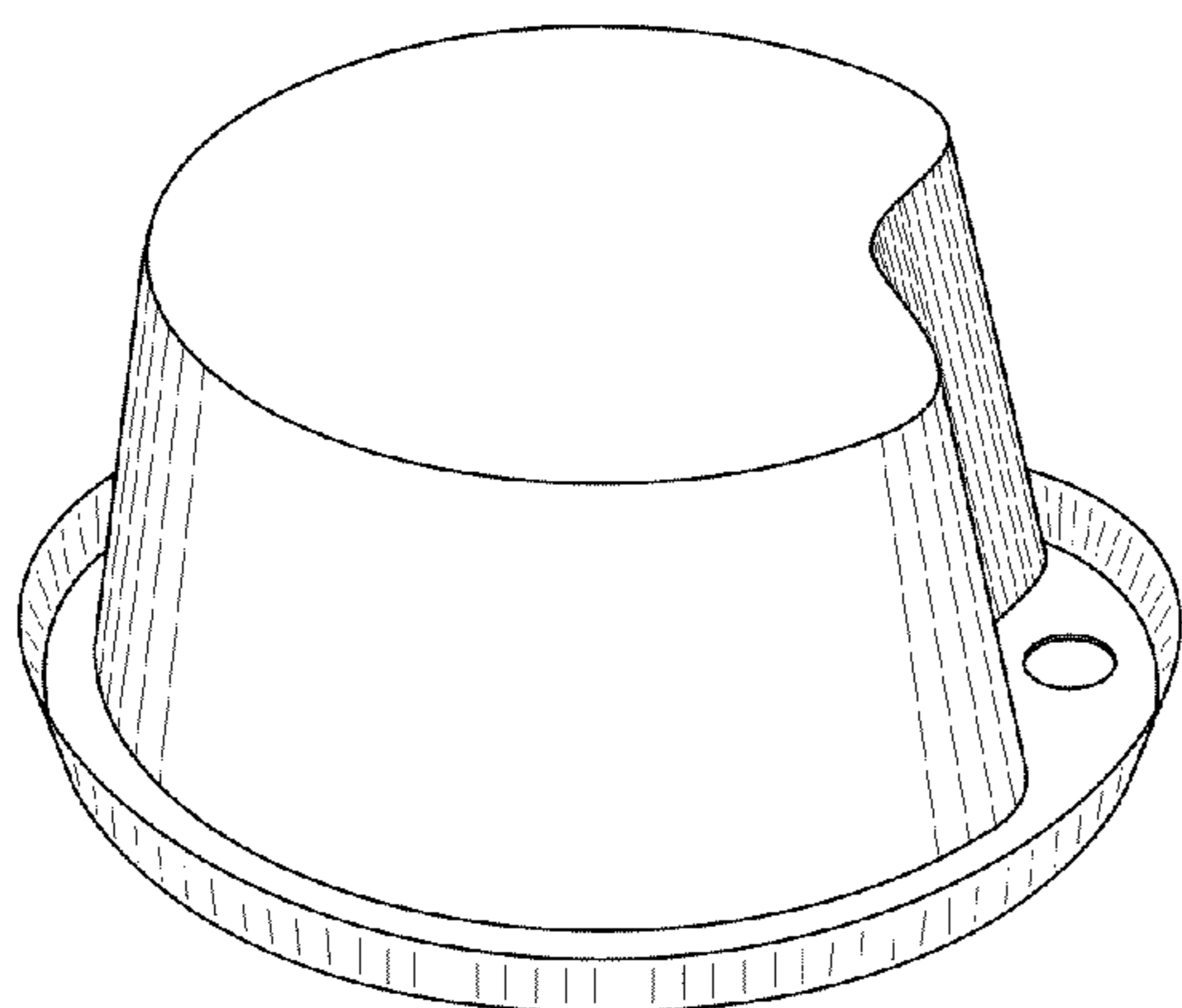


FIG. 4

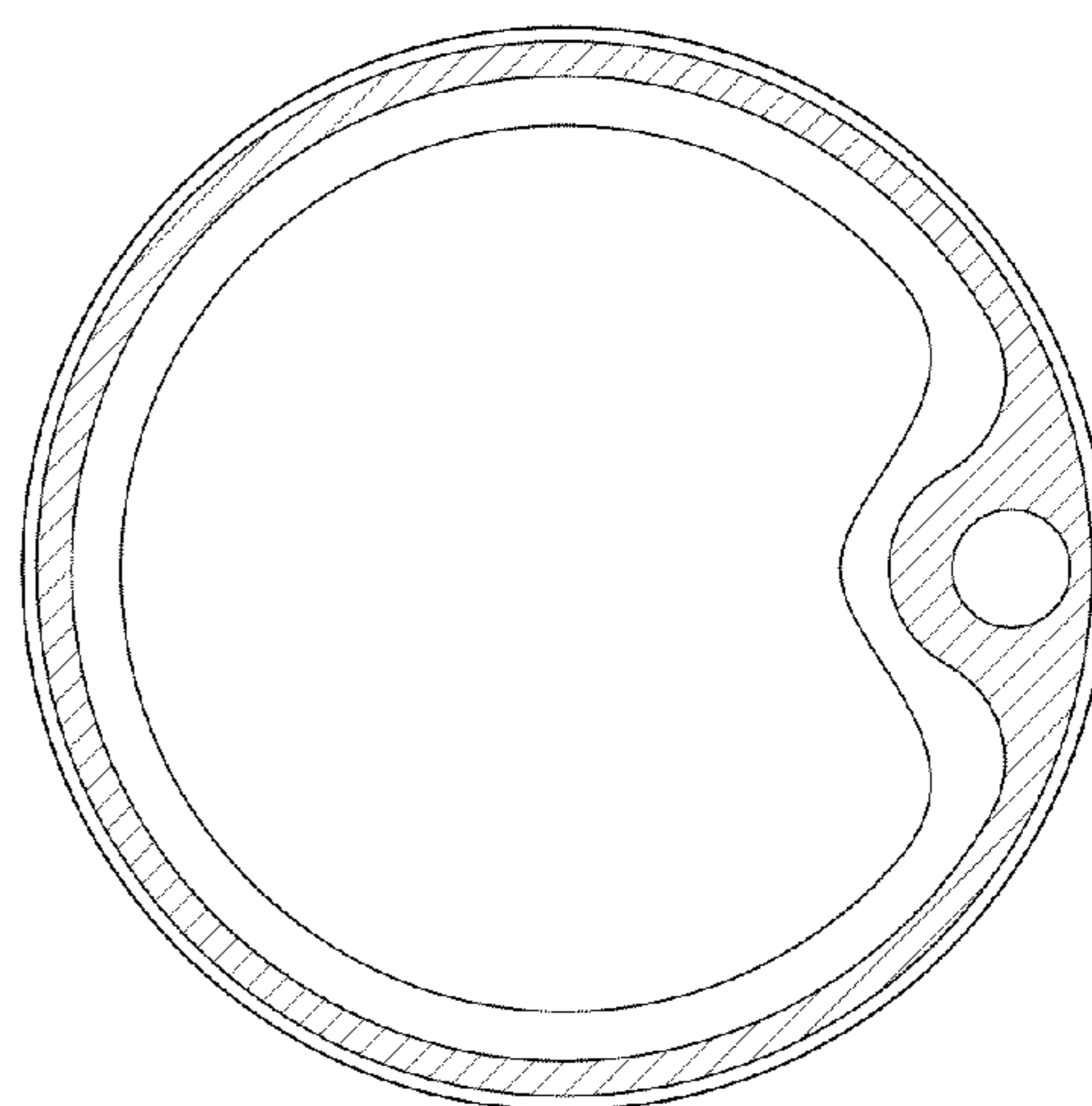


FIG. 5

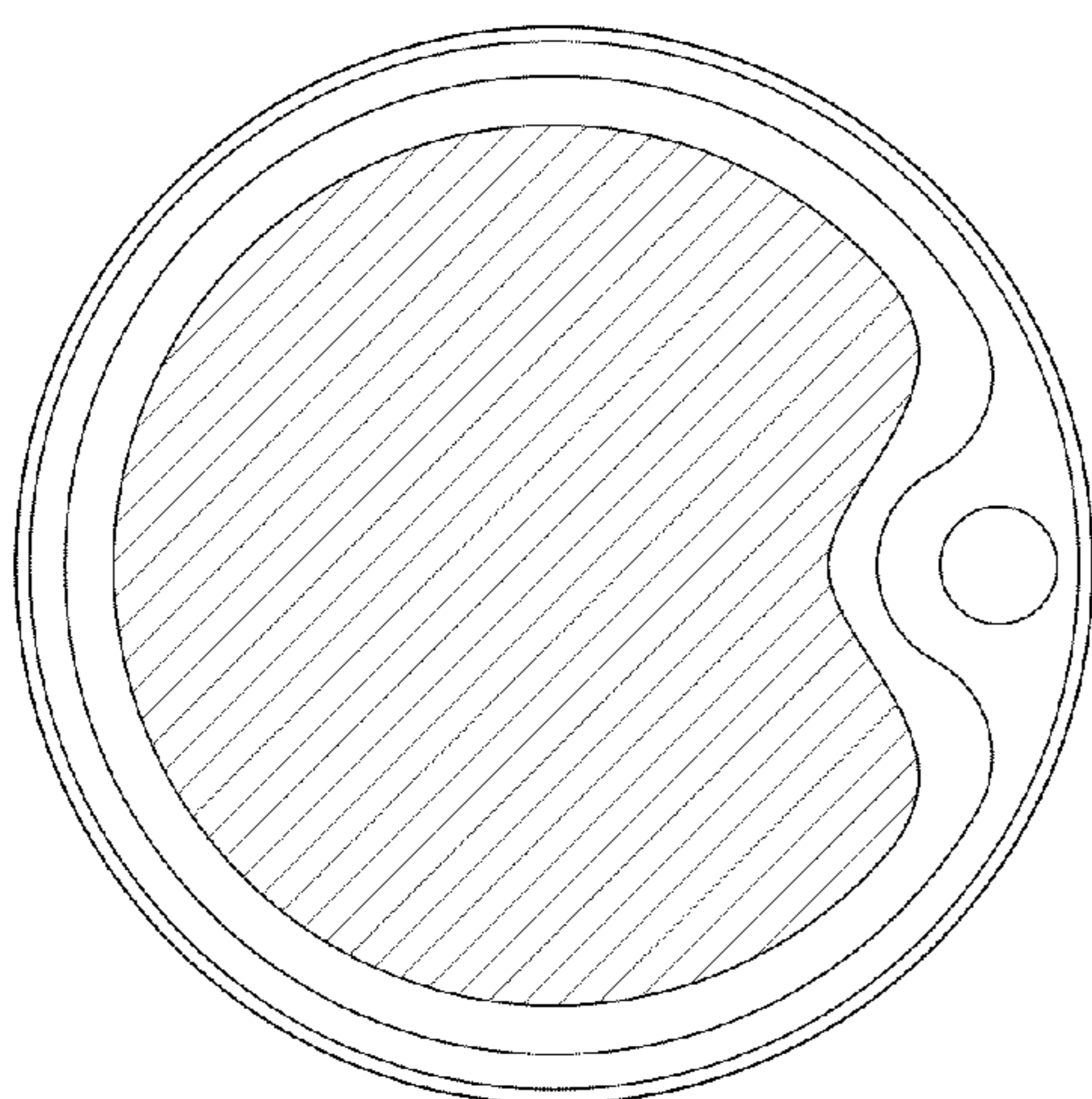


FIG. 6

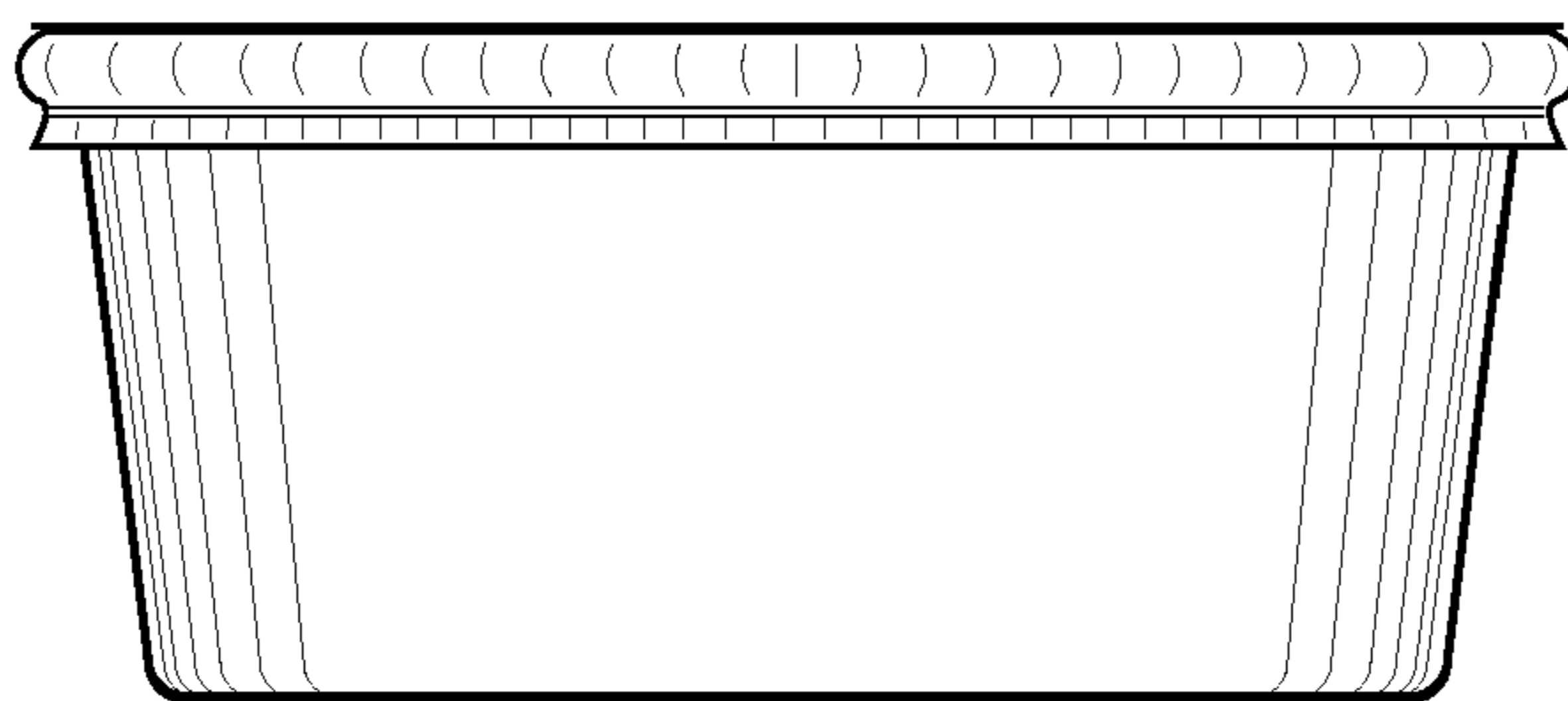


FIG. 7

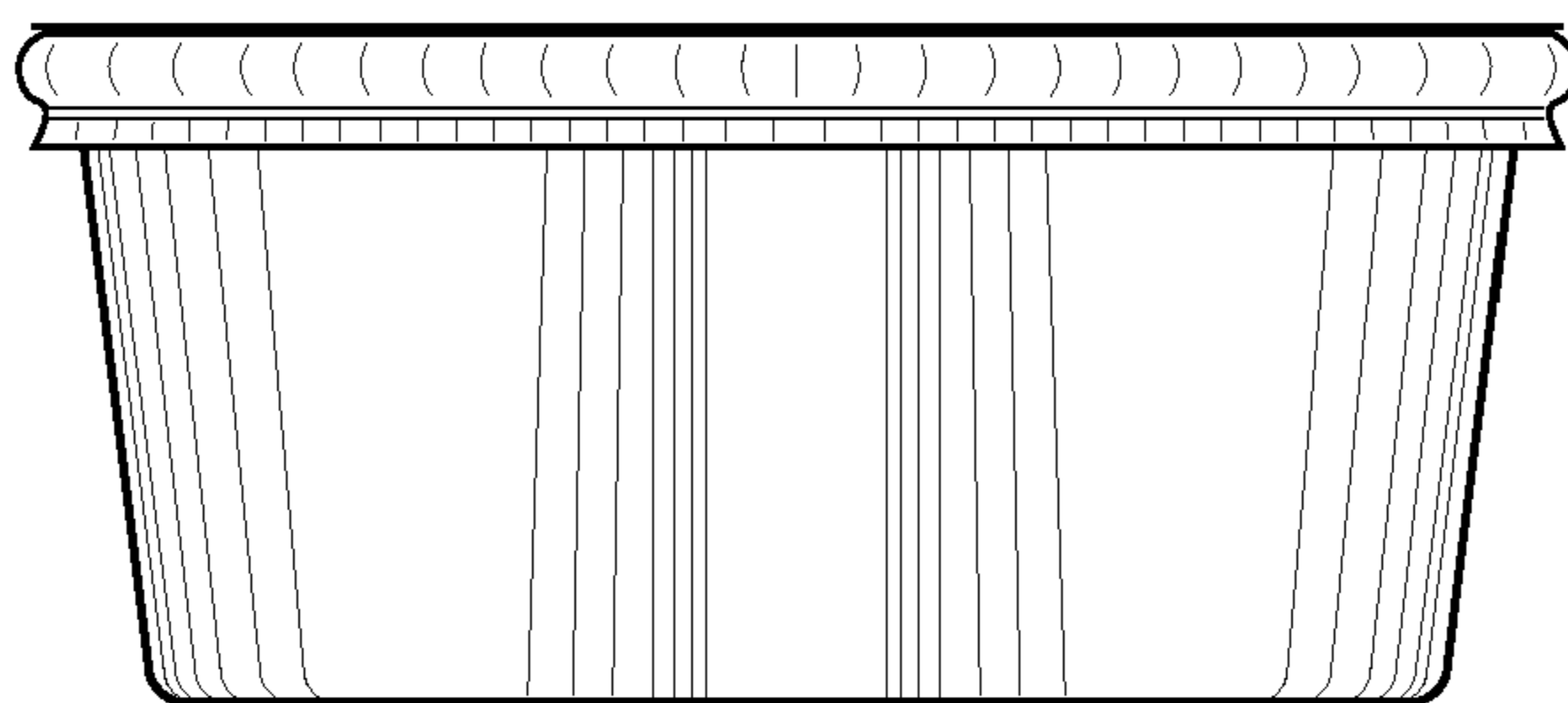


FIG. 8

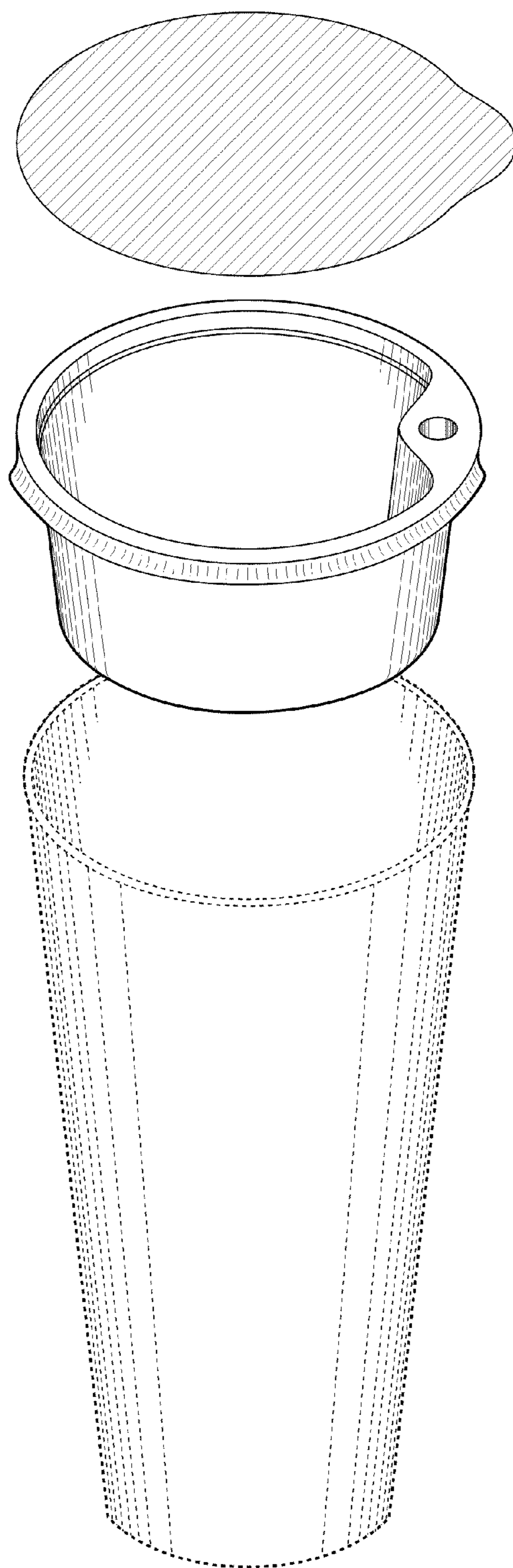
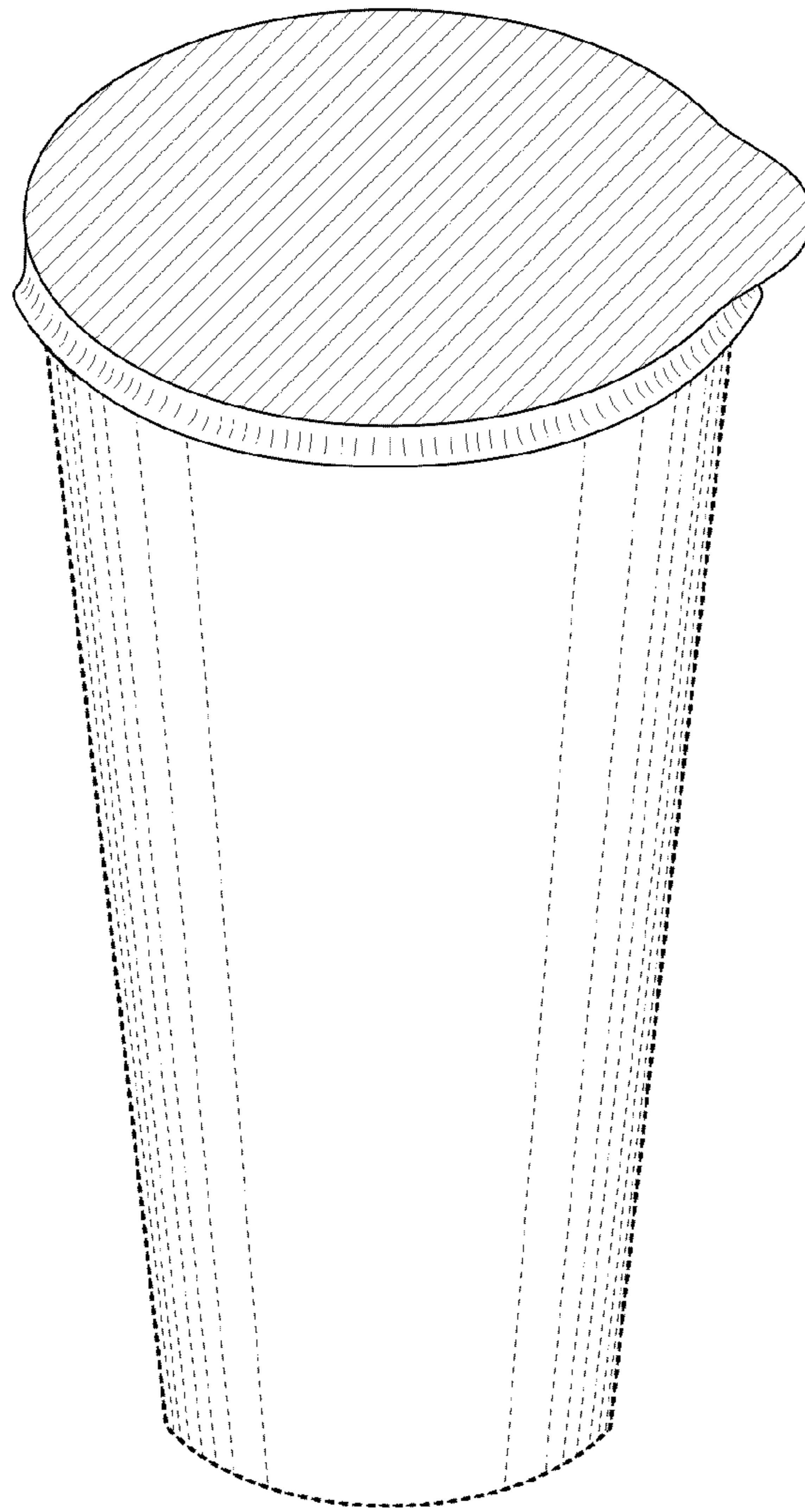


FIG. 9

FIG. 10



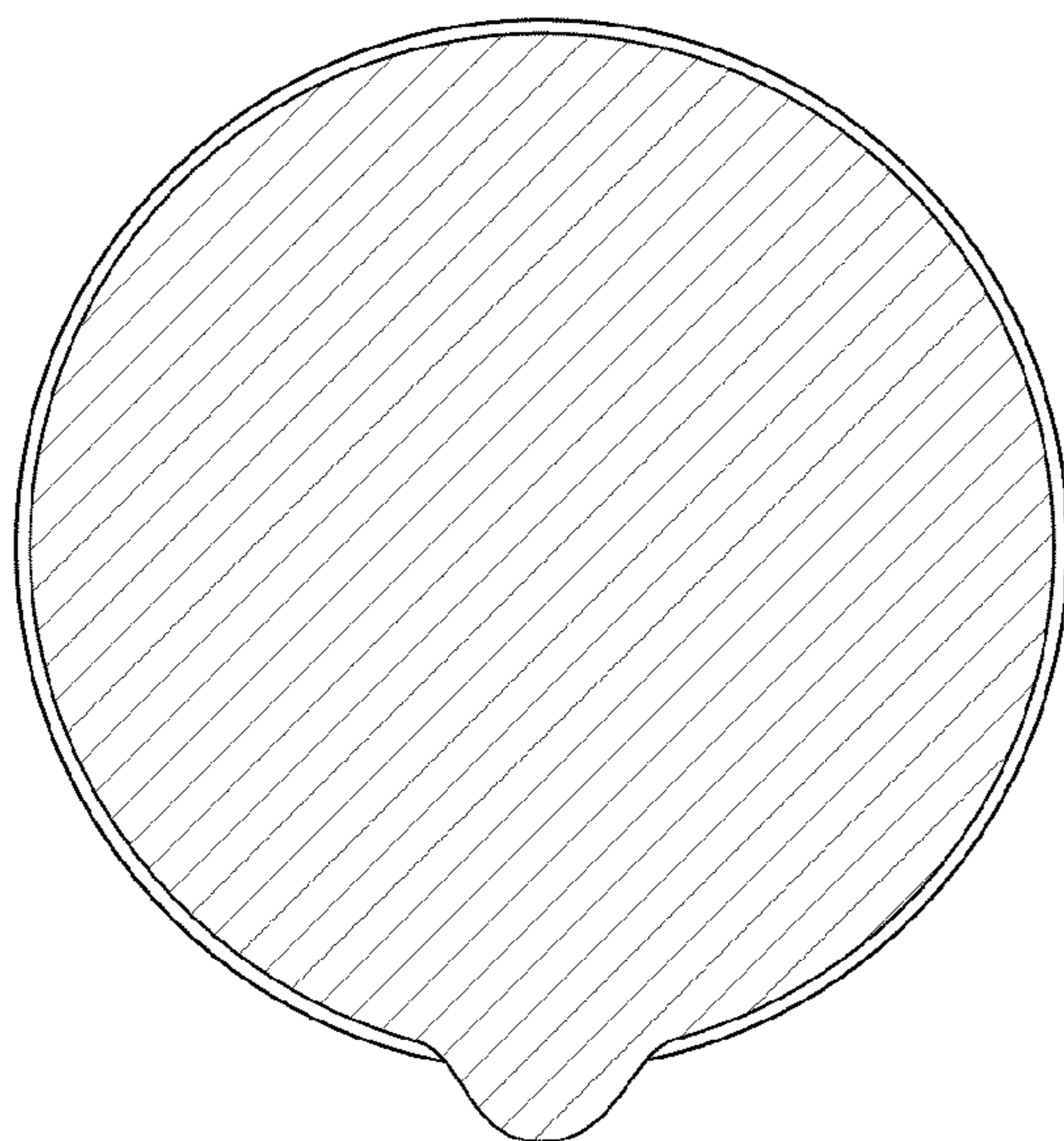


FIG. 11

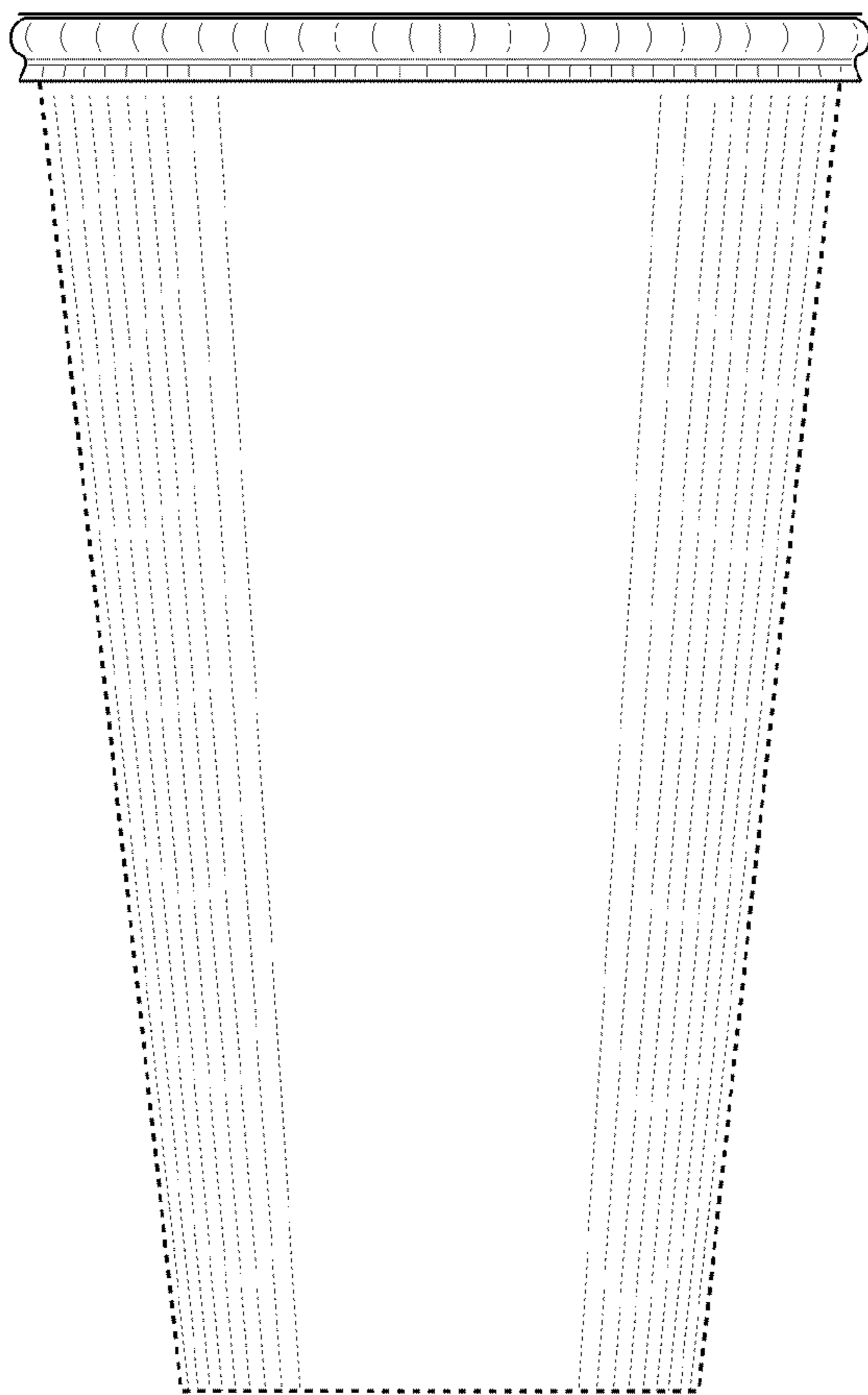


FIG. 12