



US00D651505S

(12) **United States Design Patent**  
**Roth et al.**

(10) **Patent No.:** **US D651,505 S**

(45) **Date of Patent:** **\*\* Jan. 3, 2012**

(54) **VACUUM CUP LIFTER**

(75) Inventors: **Eckart Roth**, Altensteig (DE); **Lutz Strehlow**, Solingen (DE); **Heinrich Ostendarp**, Haan (DE)

(73) Assignees: **Eckart Roth**, Altensteig (DE); **Bohle AG**, Haan (DE)

(\*\*) Term: **14 Years**

(21) Appl. No.: **29/361,466**

(22) Filed: **May 11, 2010**

(51) **LOC (9) Cl.** ..... **08-05**

(52) **U.S. Cl.** ..... **D8/373**

(58) **Field of Classification Search** ..... D8/349,  
D8/354; 294/64.1

See application file for complete search history.

(56) **References Cited**

**U.S. PATENT DOCUMENTS**

1,294,103	A *	2/1919	Hitchcock	.....	294/64.1
5,190,332	A *	3/1993	Nagai et al.	.....	294/64.1
5,375,895	A *	12/1994	Volkert	.....	294/64.1
6,213,528	B1 *	4/2001	Hufken et al.	.....	294/64.1

\* cited by examiner

*Primary Examiner* — Holly Baynham

(74) *Attorney, Agent, or Firm* — Stetina Brunda Garred & Brucker

(57) **CLAIM**

The ornamental design for a vacuum cup lifter, as shown and described.

**DESCRIPTION**

FIG. 1 is a side perspective view of a vacuum cup lifter showing our new design;

FIG. 2 is top view of FIG. 1;

FIG. 3 is a left side view of FIG. 1, the right side view is identical;

FIG. 4 is a front view of FIG. 1, the rear view is identical;

FIG. 5 is a bottom view of FIG. 1;

FIG. 6 is a side perspective view of the of a detached vacuum cup portion of a vacuum cup lifter showing our new design;

FIG. 7 is top view of the detached vacuum cup portion of FIG. 1;

FIG. 8 is a left side view of the detached vacuum cup portion of FIG. 1, the right side view is identical;

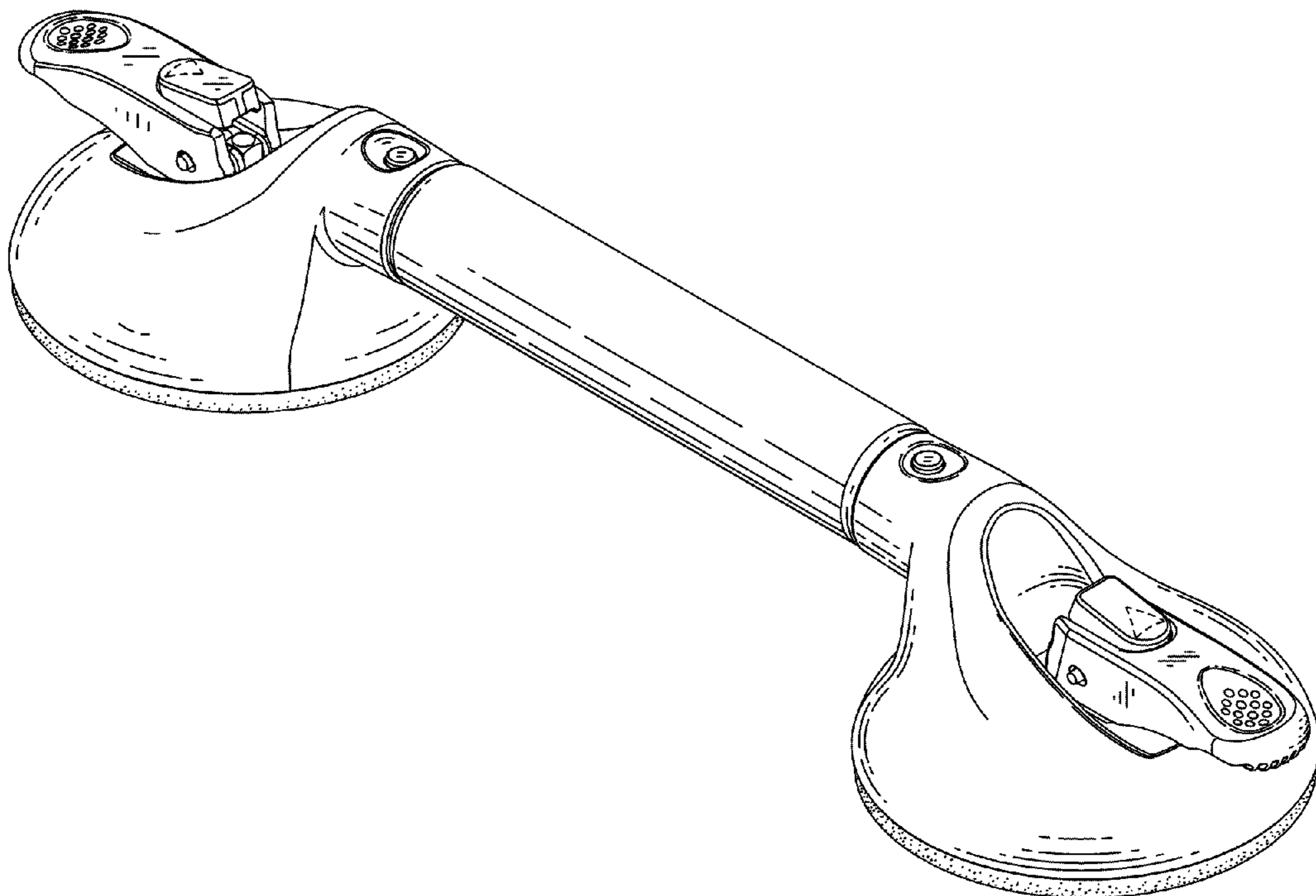
FIG. 9 is a front view of the detached vacuum cup portion of FIG. 1;

FIG. 10 is a rear view of the detached vacuum cup portion of FIG. 1; and,

FIG. 11 is a bottom view of the detached vacuum cup portion of FIG. 1.

The broken lines in FIGS. 5, 6, 7, 8 and 11 are for illustrative purposes only and form no part of the claimed design.

**1 Claim, 4 Drawing Sheets**



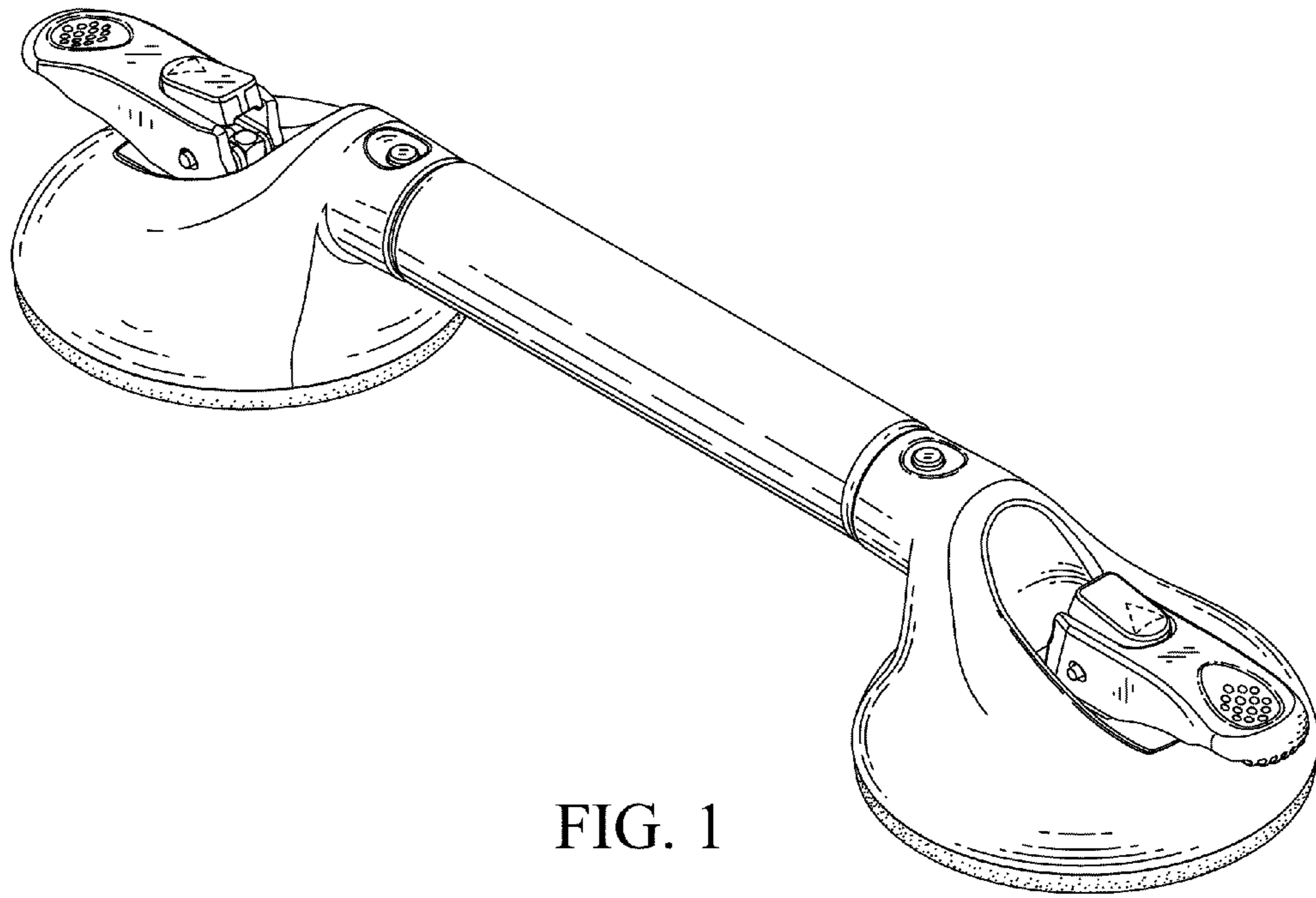


FIG. 1

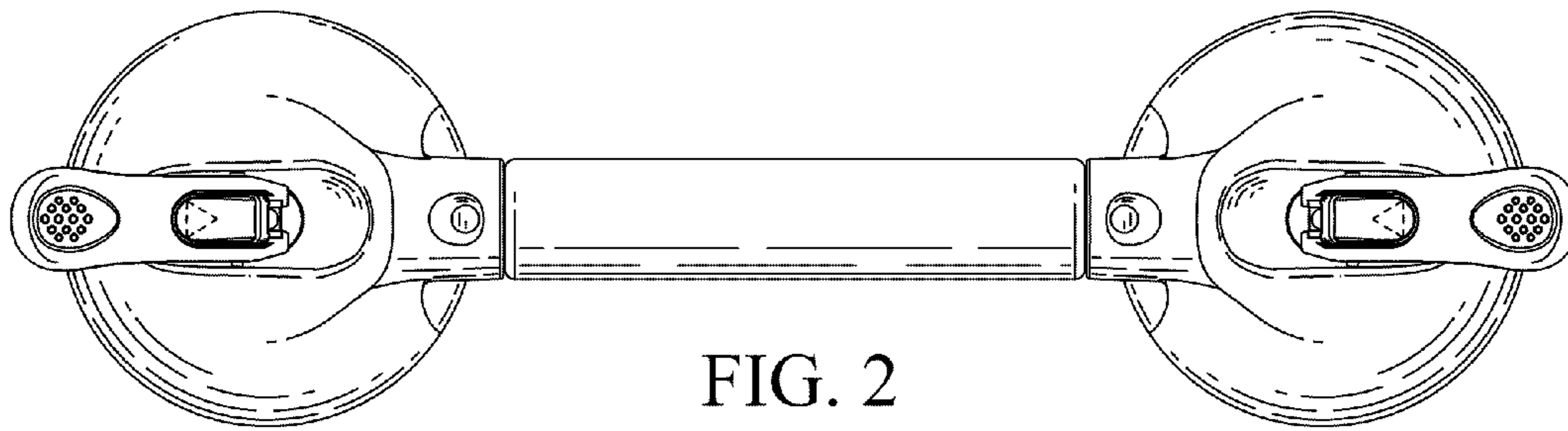


FIG. 2

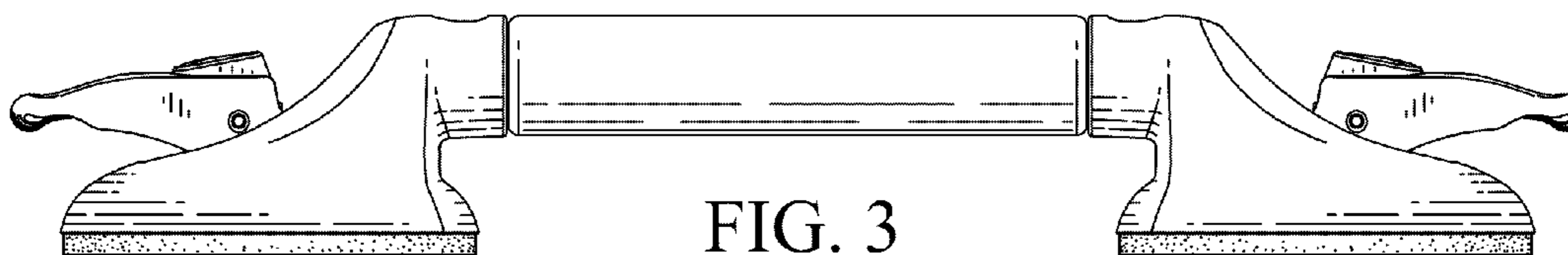


FIG. 3

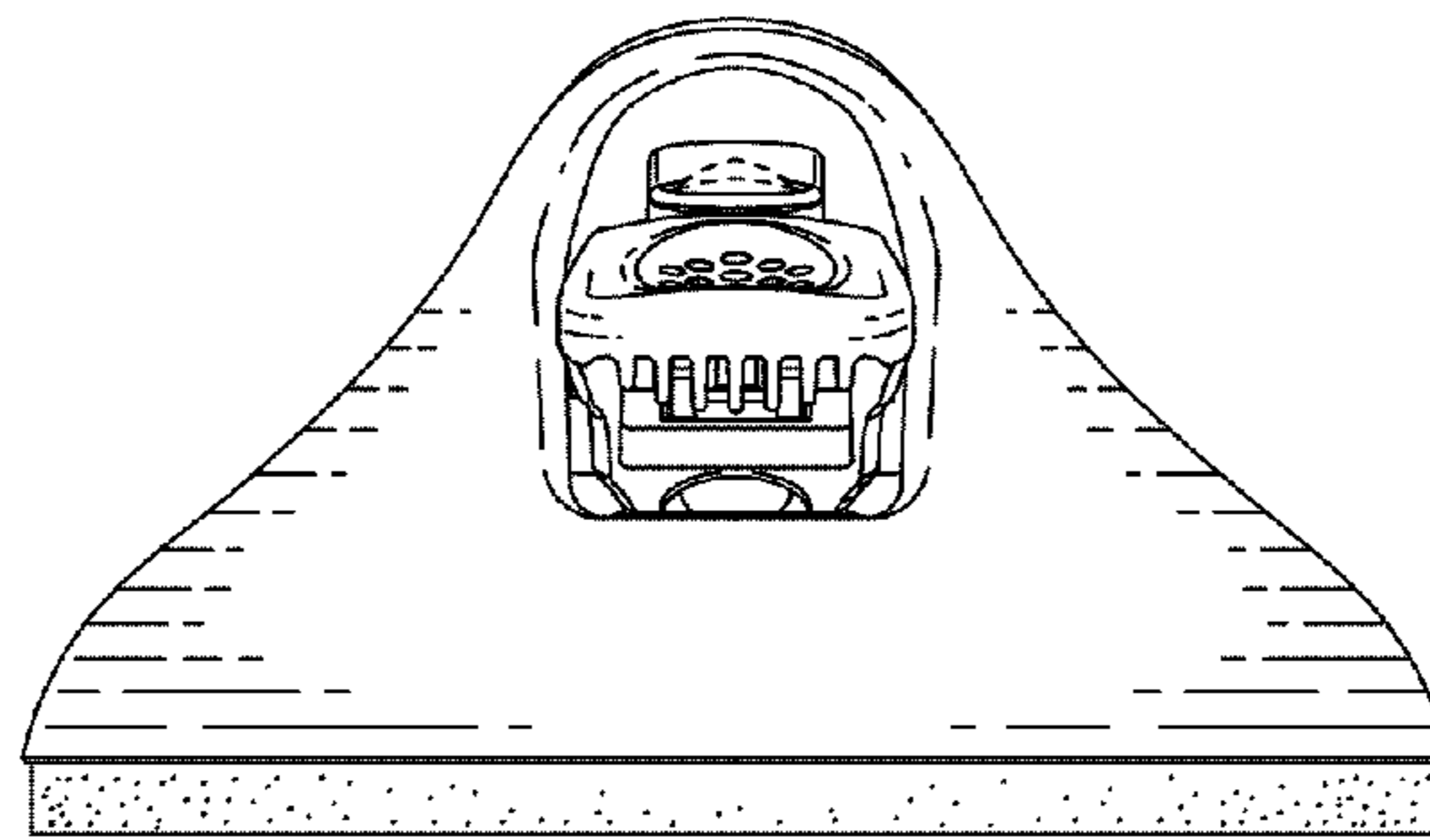


FIG. 4

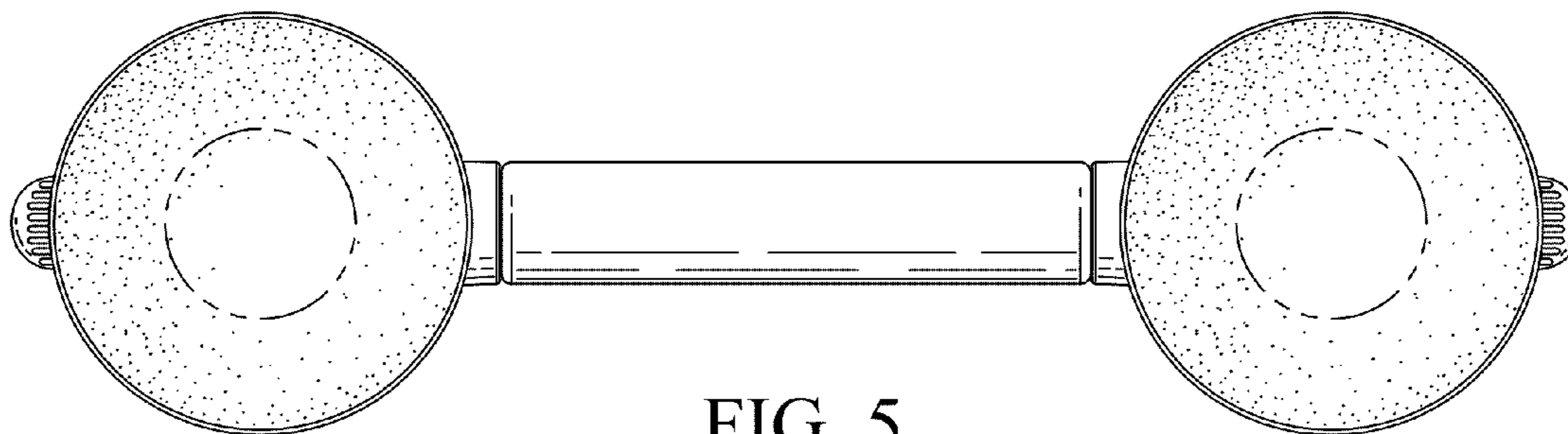


FIG. 5

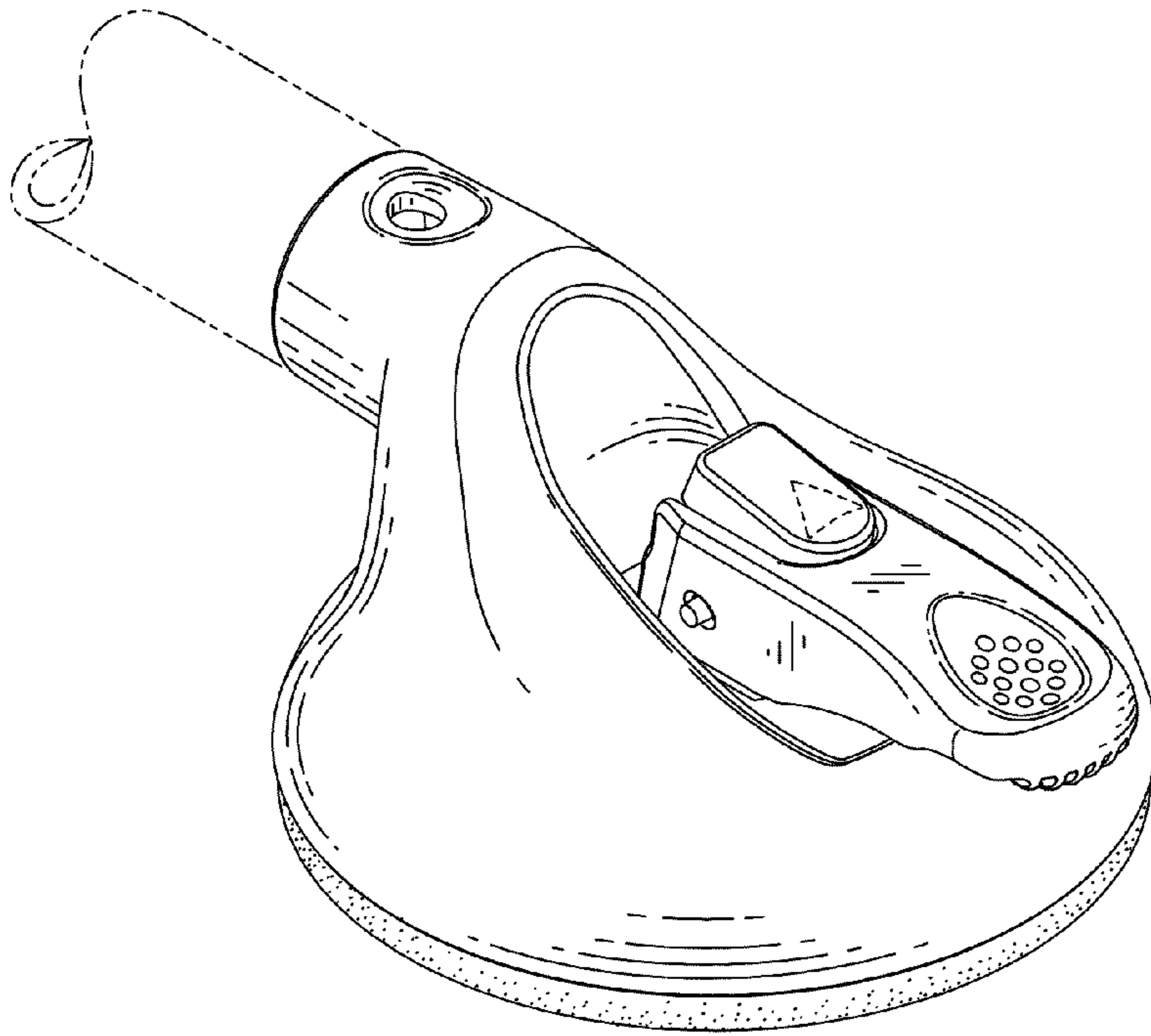


FIG. 6

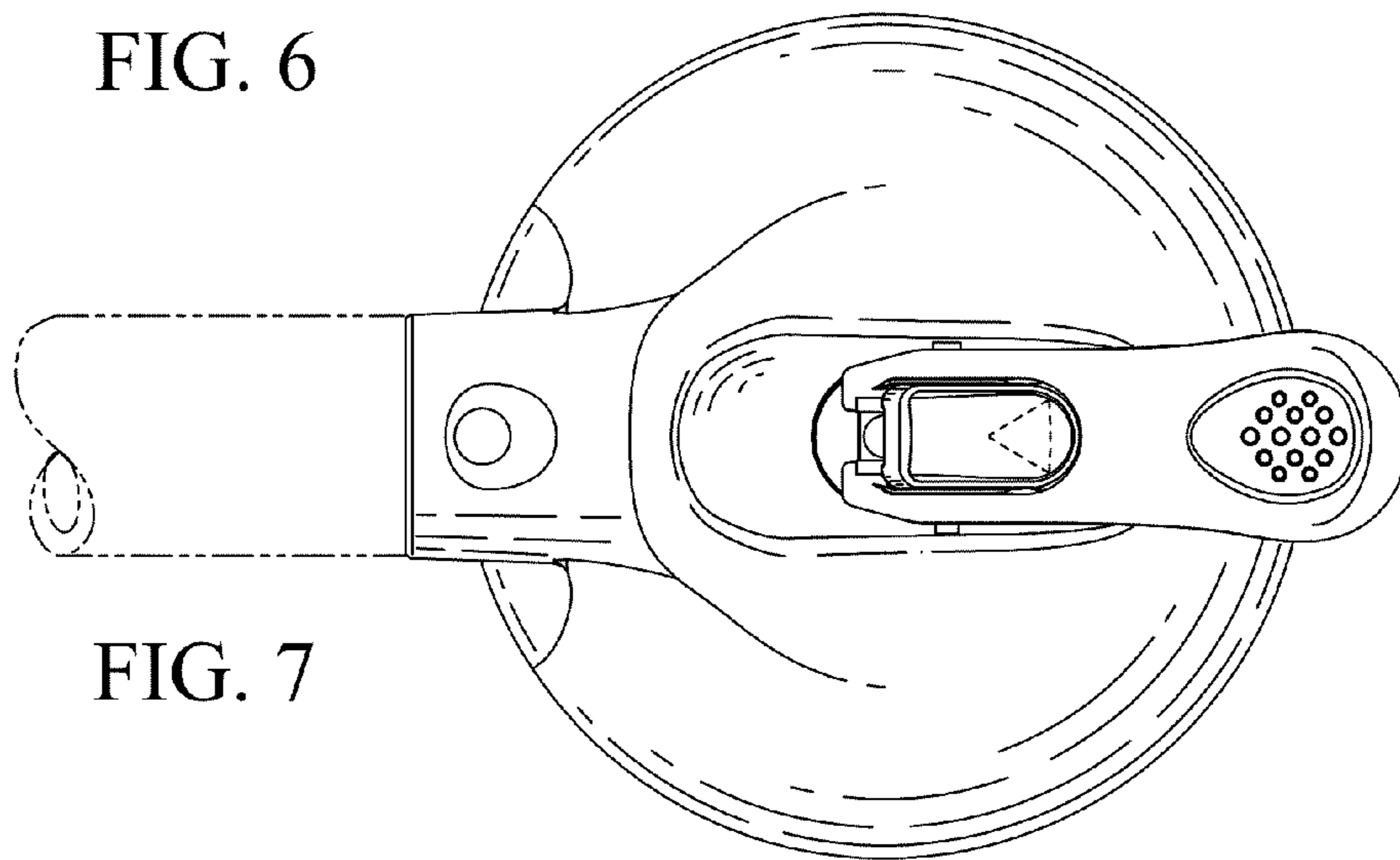


FIG. 7

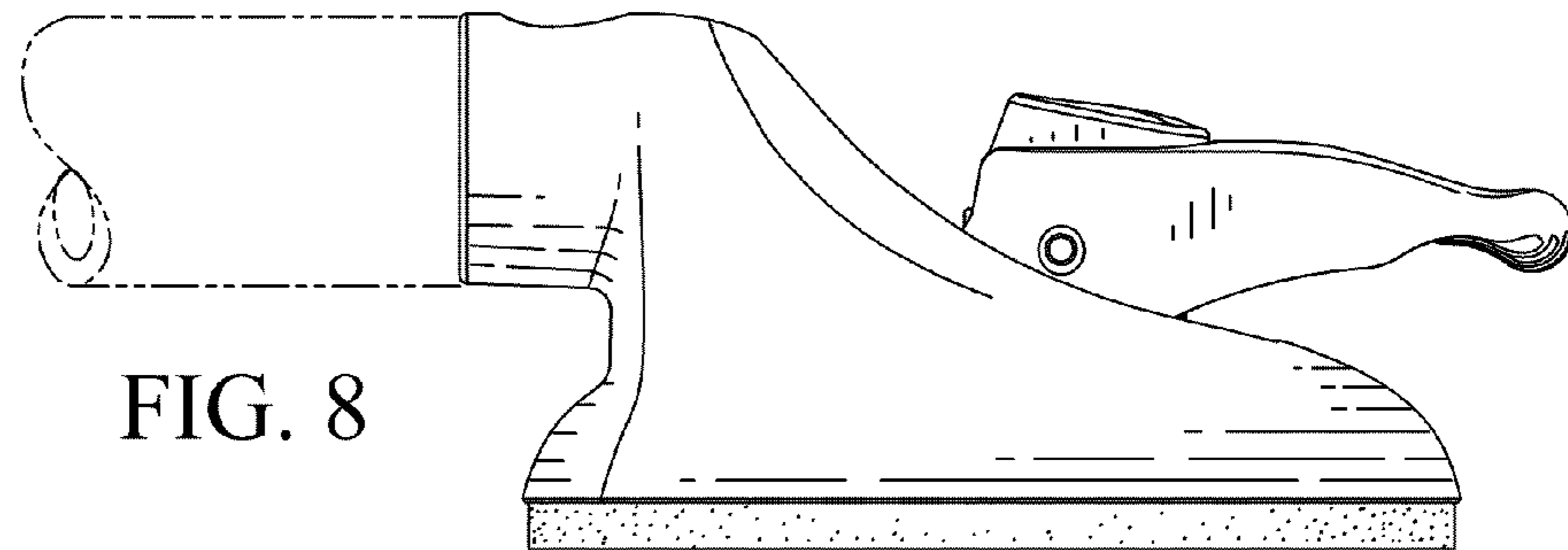


FIG. 8



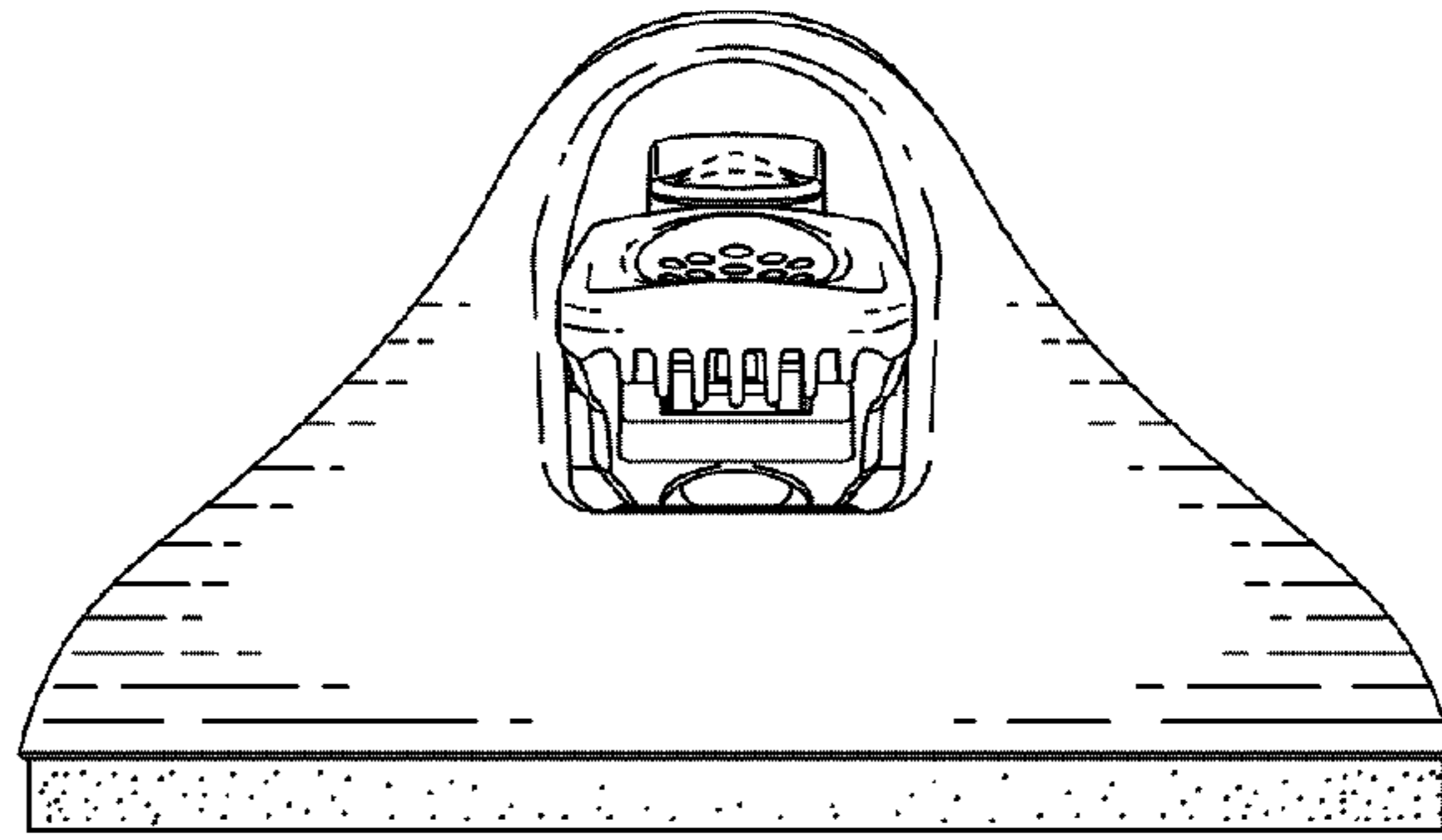


FIG. 9

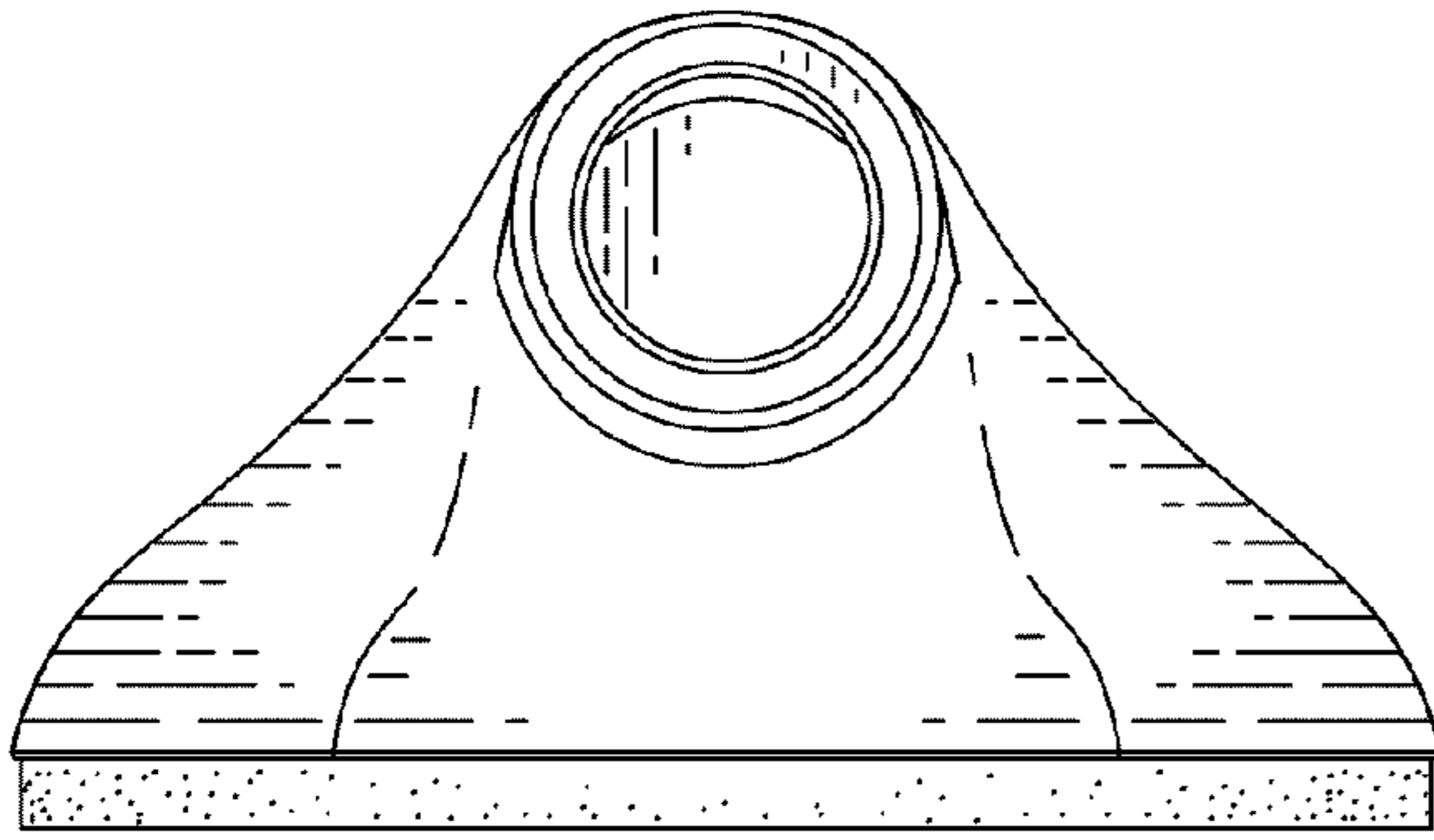


FIG. 10

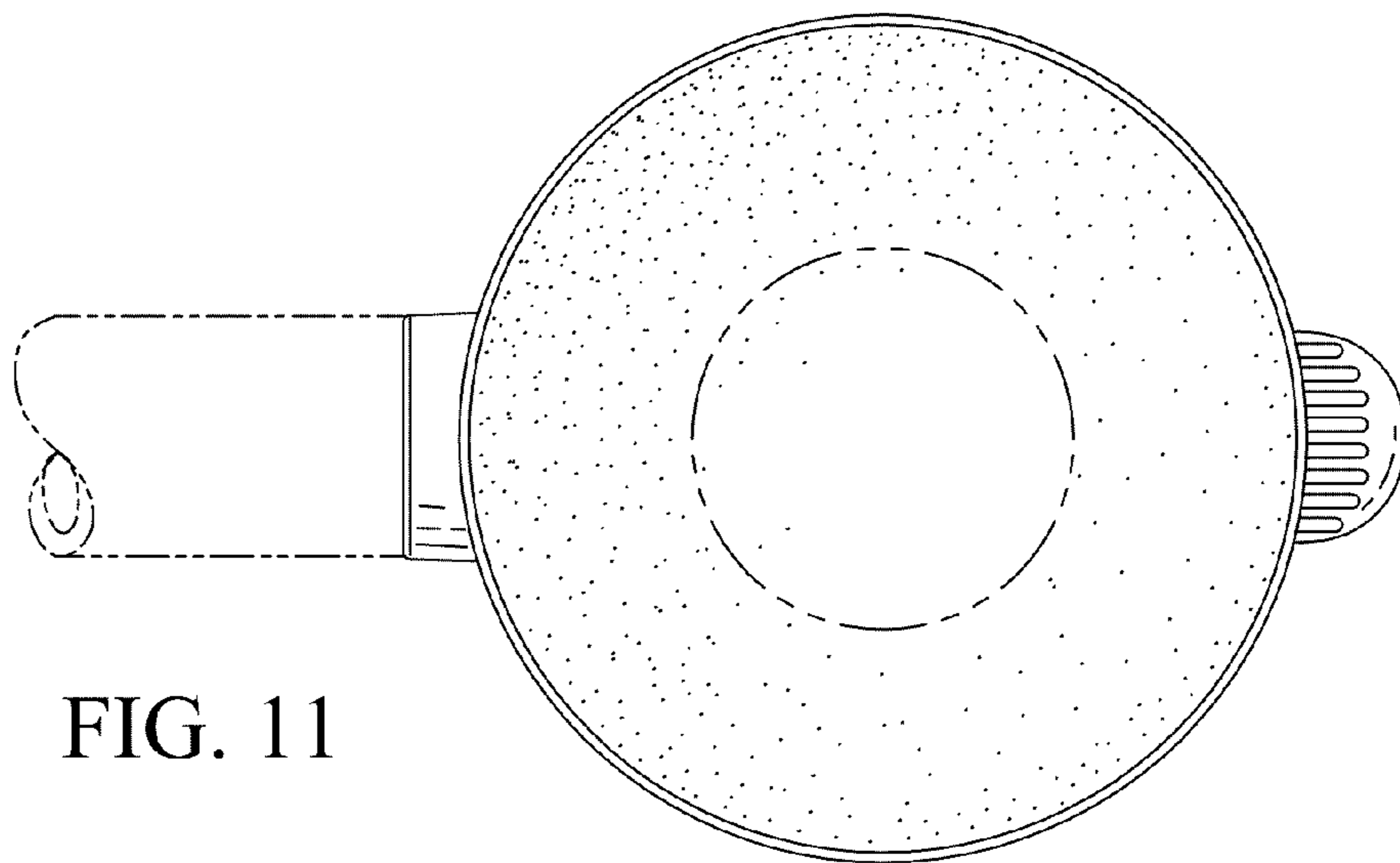


FIG. 11