



US00D651504S

(12) **United States Design Patent**
McPhail

(10) **Patent No.:** **US D651,504 S**
(45) **Date of Patent:** **** Jan. 3, 2012**

(54) **HINGED LOCK FOR EXTENSION CORDS**

(76) Inventor: **William A. McPhail**, Autryville, NC
(US)

(**) Term: **14 Years**

(21) Appl. No.: **29/384,177**

(22) Filed: **Jan. 27, 2011**

(51) **LOC (9) Cl.** **08-05**

(52) **U.S. Cl.** **D8/356**

(58) **Field of Classification Search** D8/356,
D8/354, 349, 330, 331, 383; 439/501; 70/421,
70/371, 369, 208; D22/108; D11/216
See application file for complete search history.

(56) **References Cited**

U.S. PATENT DOCUMENTS

3,796,304	A *	3/1974	Blais	206/702
3,980,806	A *	9/1976	May	174/90
4,143,934	A	3/1979	Siebert		
4,474,493	A *	10/1984	Welch	403/408.1
4,643,505	A	2/1987	House et al.		
5,139,429	A	8/1992	Herman et al.		
5,217,387	A	6/1993	Hull et al.		
5,336,107	A	8/1994	Sheryll		
5,584,720	A	12/1996	Elswick		
5,713,753	A	2/1998	Bayer et al.		
5,862,030	A *	1/1999	Watkins et al.	361/103
5,913,692	A	6/1999	Targett		

D447,930	S *	9/2001	Larson	D8/354
6,425,165	B2 *	7/2002	Koppang	24/129 R
7,189,100	B1	3/2007	Colbourne		
7,214,092	B1 *	5/2007	Platt	439/501
D550,067	S *	9/2007	Hsiao	D8/356
D569,349	S	5/2008	Preston		
7,909,640	B2 *	3/2011	Knappe et al.	439/501

* cited by examiner

Primary Examiner — Cynthia Underwood

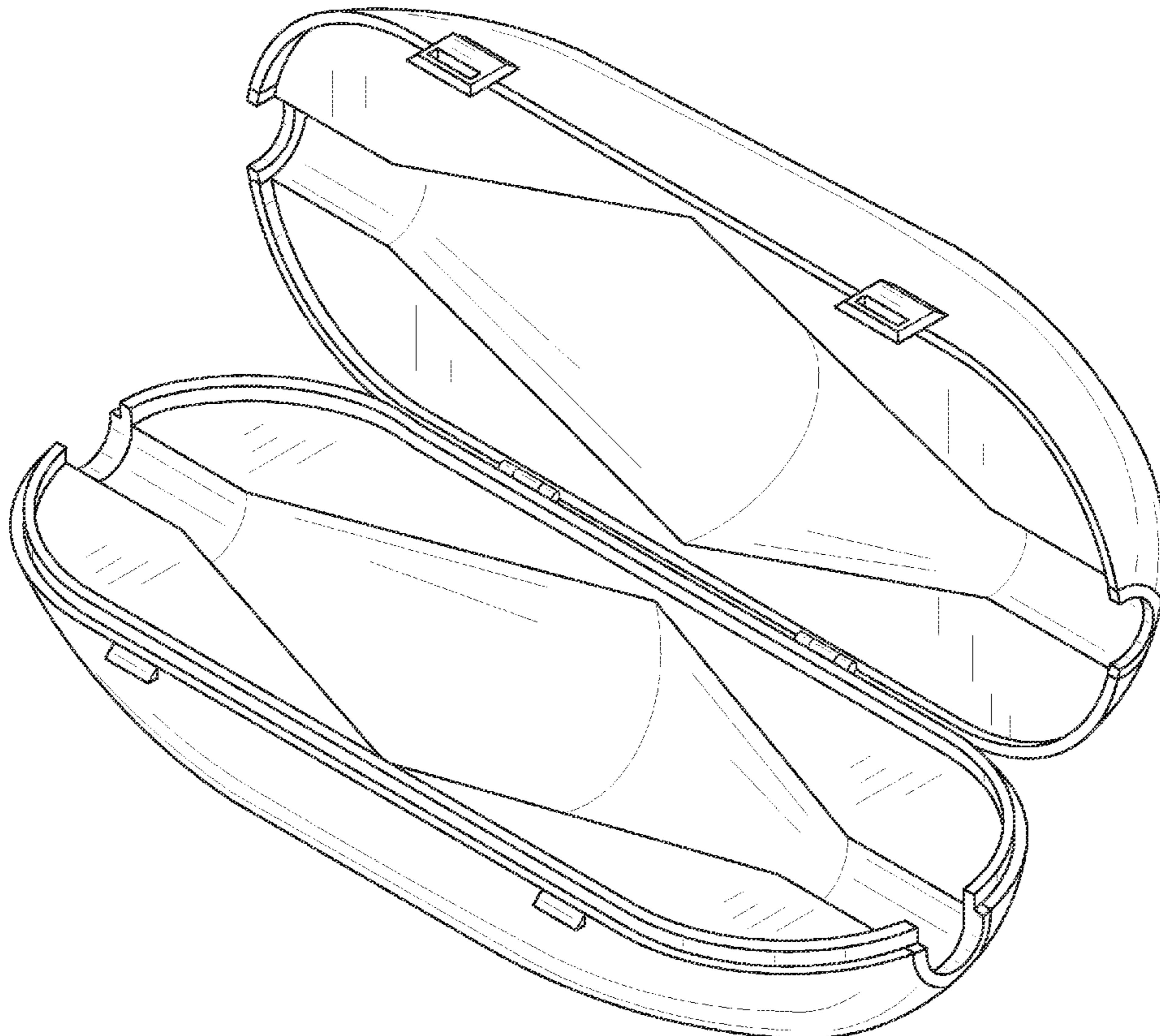
(57) **CLAIM**

The ornamental design for a hinged lock for extension cords, as shown and described.

DESCRIPTION

FIG. 1 is a perspective view of a hinged lock for extension cords showing my new design;
FIG. 2 is a front view thereof;
FIG. 3 is a back view thereof;
FIG. 4 is a side view (opposite side view is mirror image) thereof;
FIG. 5 is a top view thereof;
FIG. 6 is a bottom view thereof;
FIG. 7 is a cross-sectional view taken along line 7-7 on FIG. 2; and,
FIG. 8 is a cross-sectional view taken along line 8-8 on FIG. 5.

1 Claim, 8 Drawing Sheets



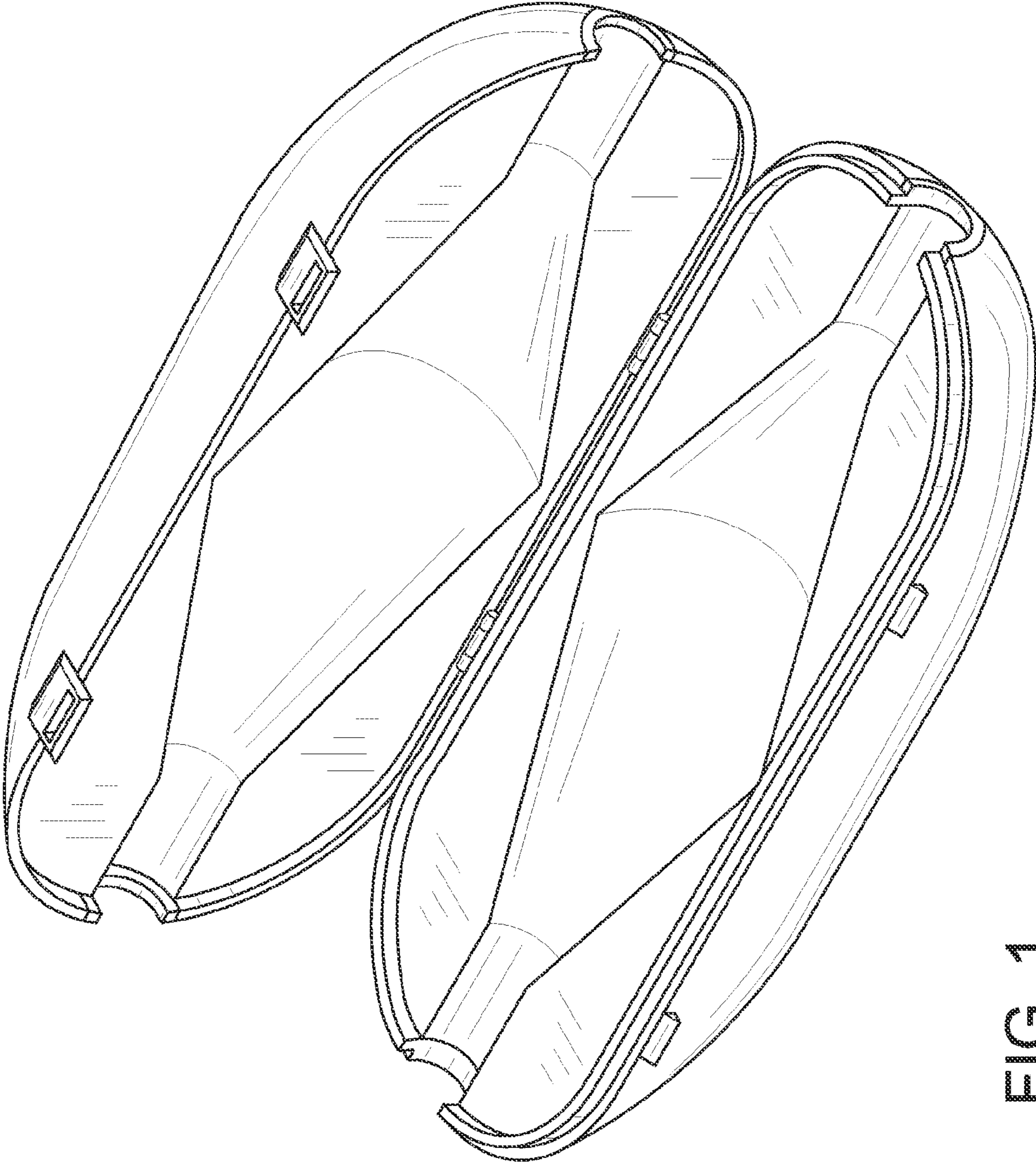


FIG. 1

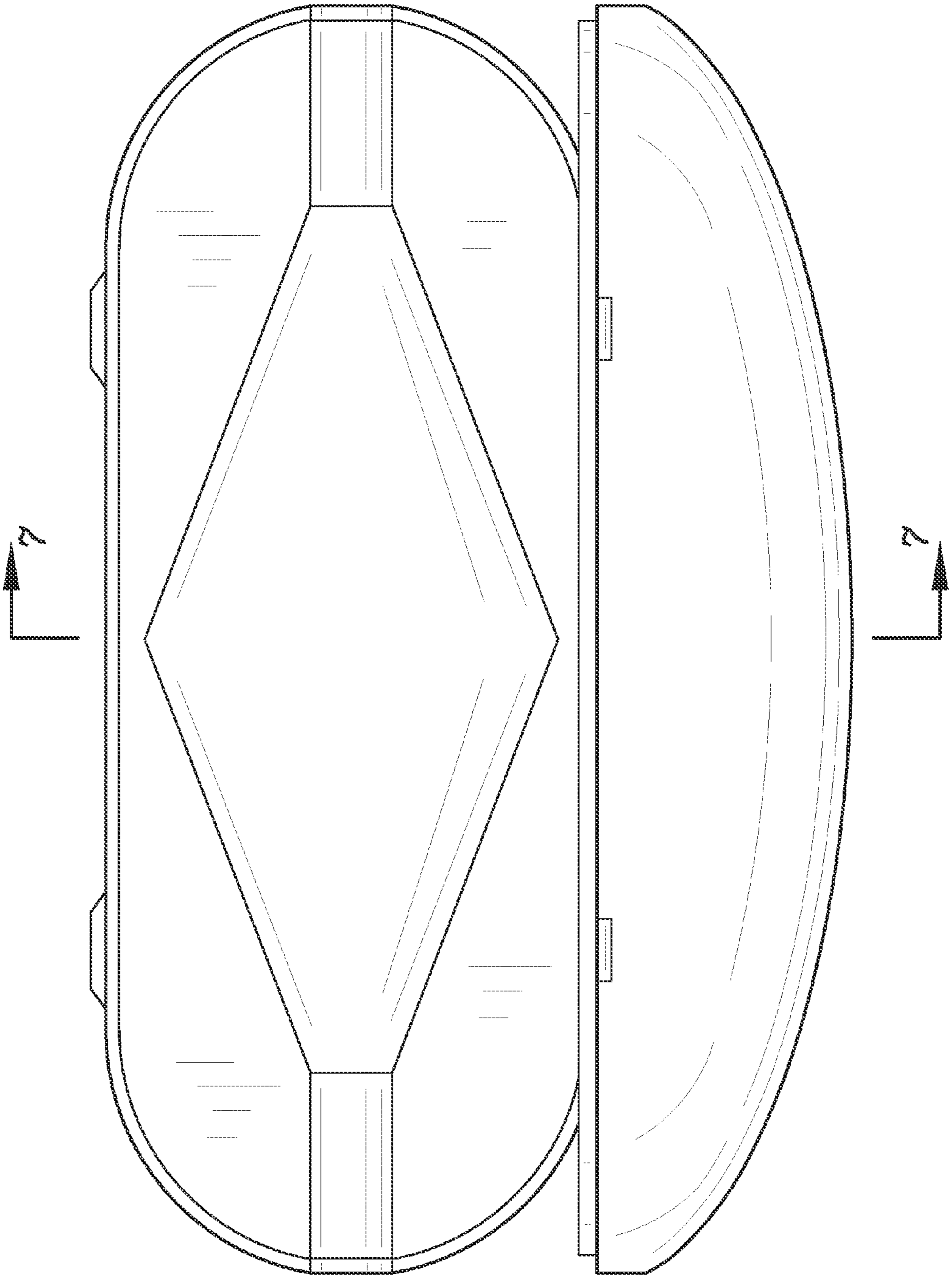


FIG. 2

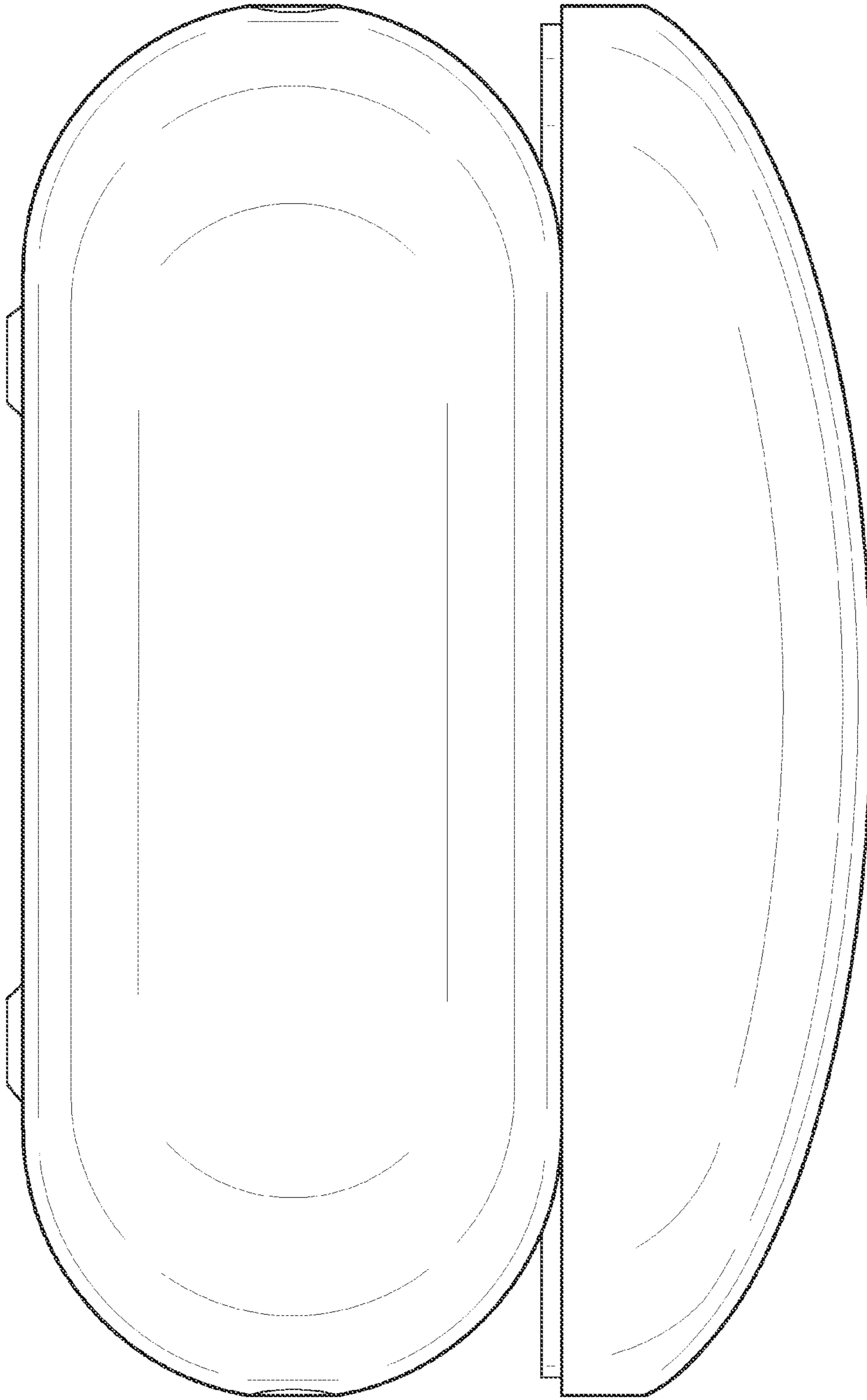


FIG. 3

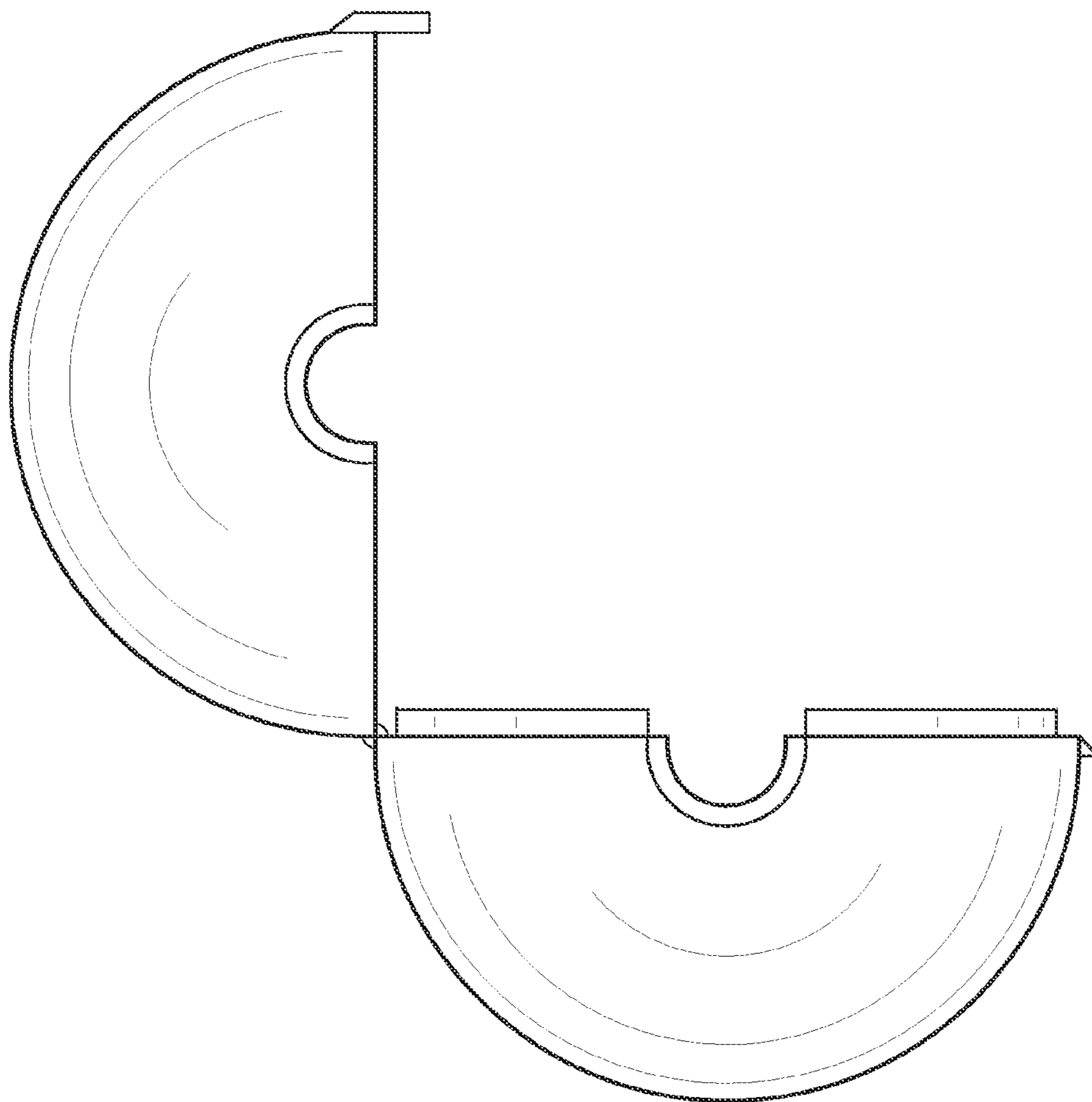


FIG. 4

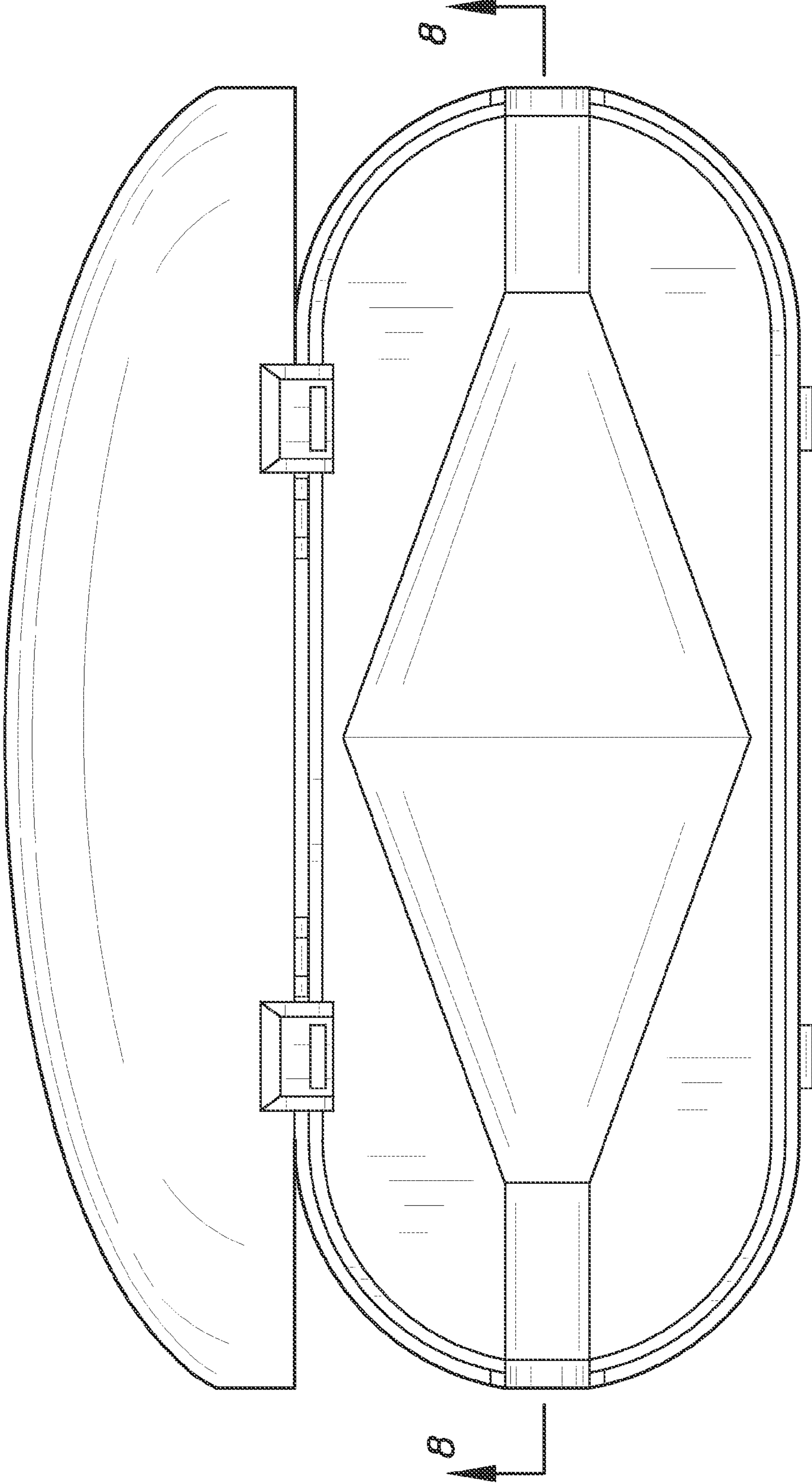


FIG. 5

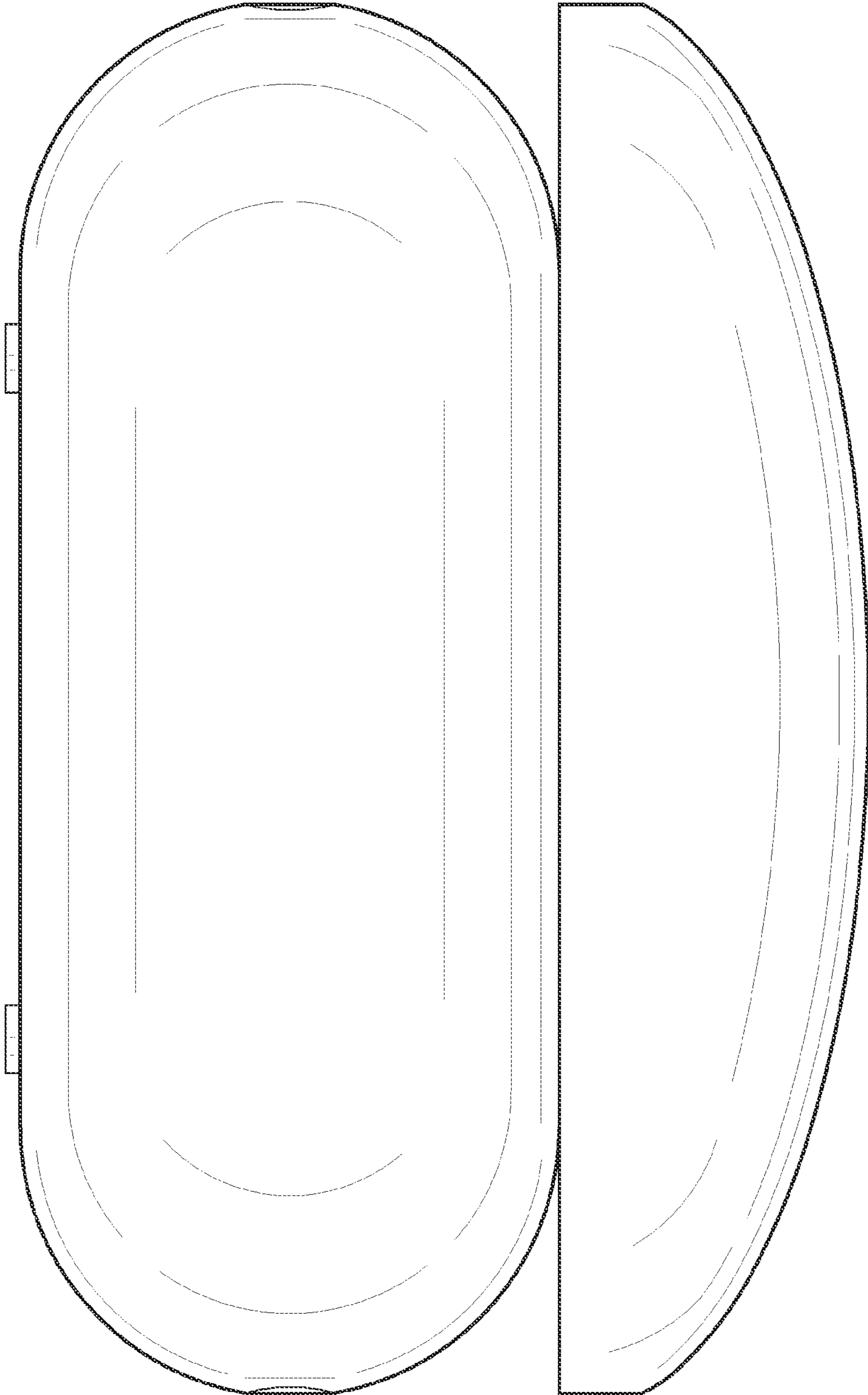


FIG. 6

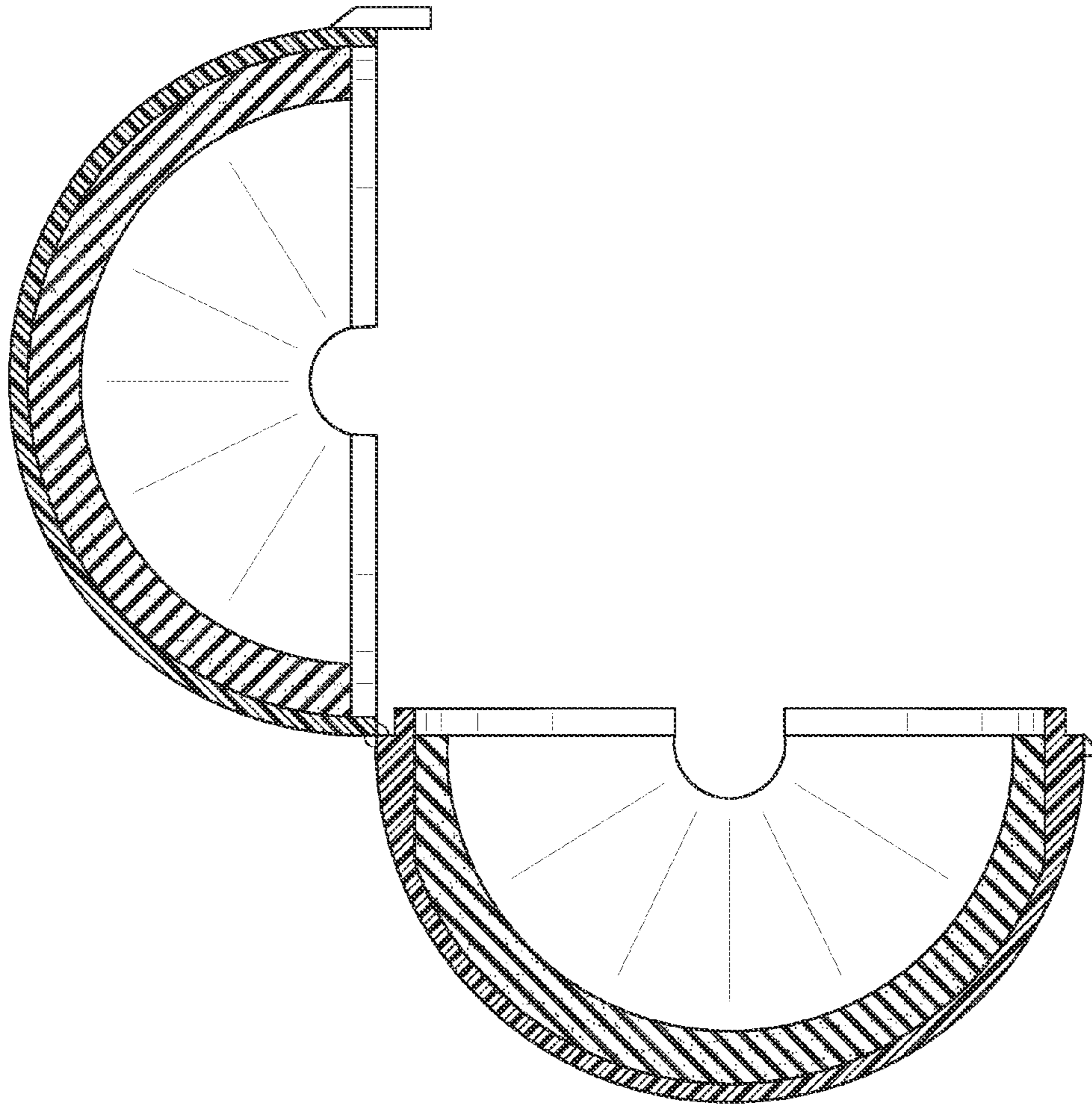


FIG. 7

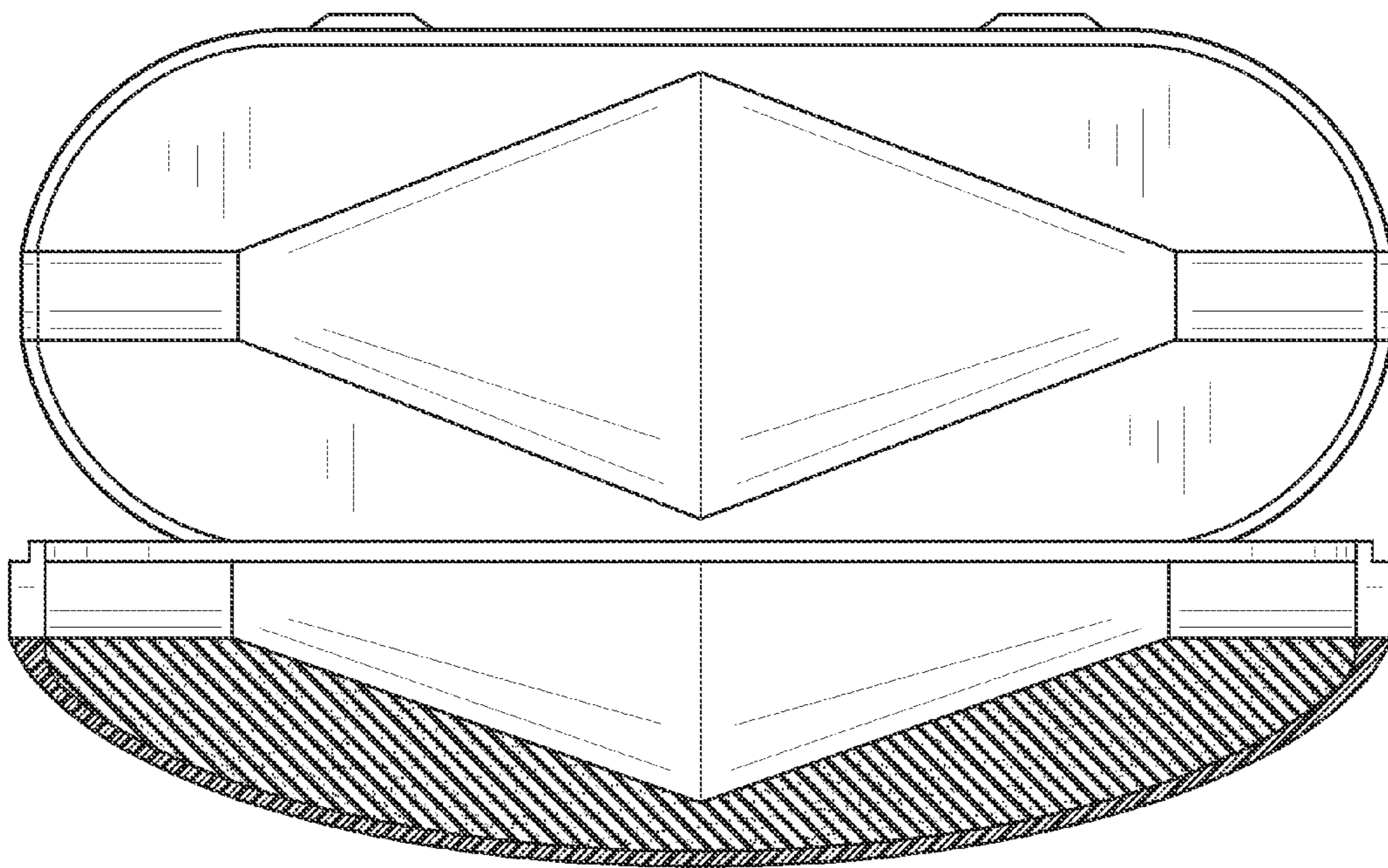


FIG. 8