



US00D651502S

(12) **United States Design Patent**
Andren

(10) **Patent No.:** **US D651,502 S**

(45) **Date of Patent:** **** Jan. 3, 2012**

(54) **ROLLER MOUNT**

(76) Inventor: **Stefan B. Andren**, Portland, OR (US)

(**) Term: **14 Years**

(21) Appl. No.: **29/363,663**

(22) Filed: **Jun. 11, 2010**

(51) **LOC (9) Cl.** **08-05**

(52) **U.S. Cl.** **D8/349**

(58) **Field of Classification Search** D8/499,
D8/349, 354; 248/300, 316, 316.1
See application file for complete search history.

(56) **References Cited**

U.S. PATENT DOCUMENTS

D385,480 S	*	10/1997	Mayo	D8/372
D434,640 S	*	12/2000	Kwok	D8/372
D466,796 S	*	12/2002	Lacey	D8/372
D494,048 S	*	8/2004	Goodman et al.	D8/372
D602,768 S	*	10/2009	Goodman et al.	D8/372

OTHER PUBLICATIONS

Krown Lab Iconic sliding door hardware: Oden, <http://www.krownlab.com/oden.html>, published at least as early as Jun. 19, 2009.
Krown Lab Iconic sliding door hardware: Rob Roy, <http://www.krownlab.com/robroy.html>, published at least as early as Jun. 19, 2009.

krownlab.com/robroy.html, published at least as early as Jun. 19, 2009.

* cited by examiner

Primary Examiner — Holly Baynham

(74) *Attorney, Agent, or Firm* — Harness, Dickey & Pierce, P.L.C.

(57) **CLAIM**

The ornamental design for a roller mount, as shown and described.

DESCRIPTION

FIG. 1 is an isometric view of the roller assembly showing a possible orientation and alignment relative to a roller and rolling surface structure shown in broken lines.

FIG. 2 is top view thereof.

FIG. 3 is a bottom view thereof.

FIG. 4 is a front view thereof.

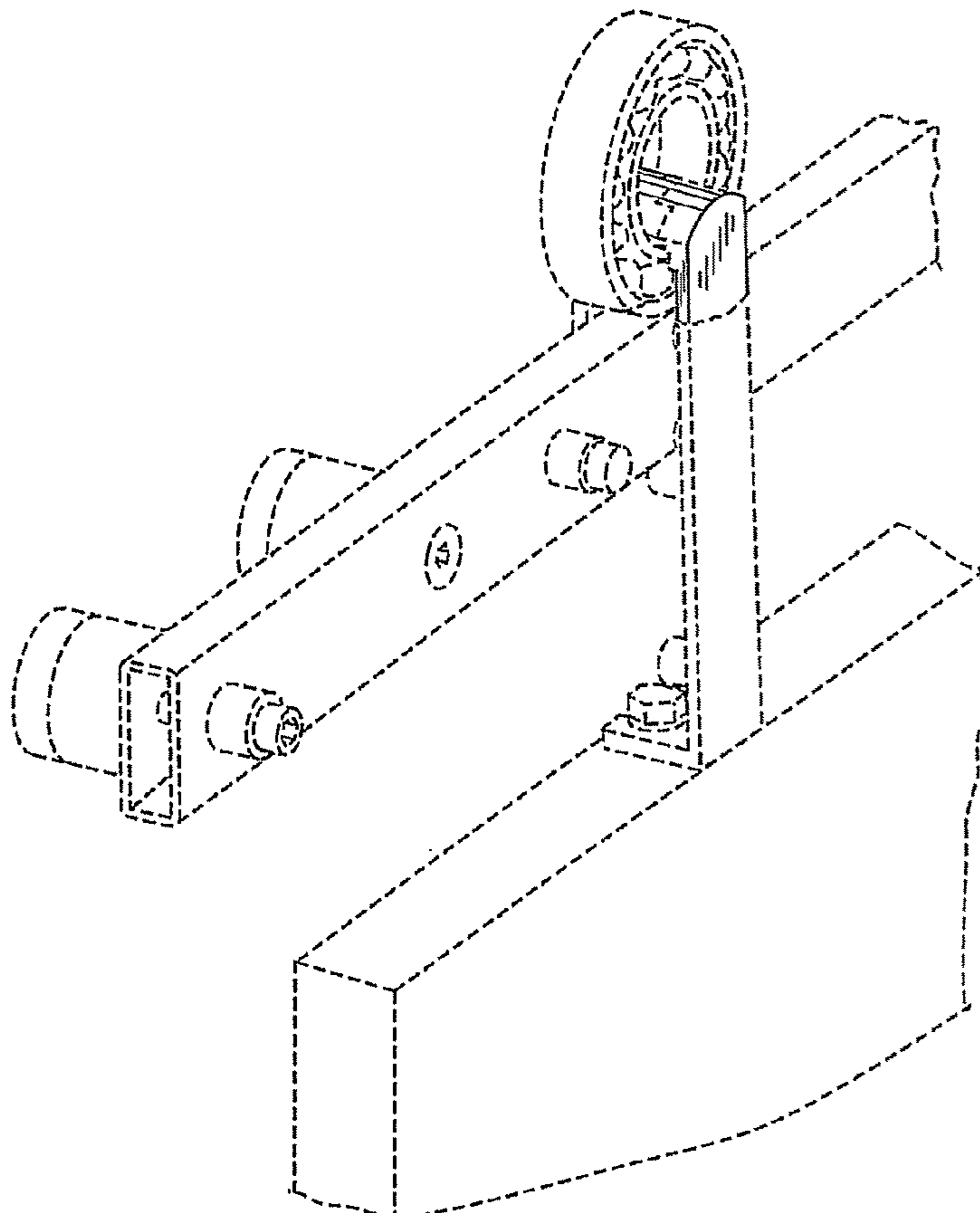
FIG. 5 is a back view thereof.

FIG. 6 is a right side view thereof; and,

FIG. 7 is a left side view thereof.

The broken lines below the shading represents the bounds of the claimed design all other broken lines showing portions of the roller and other structure are for the purposes of illustrating environmental structure. None of the broken lines are part of the claimed design.

1 Claim, 3 Drawing Sheets



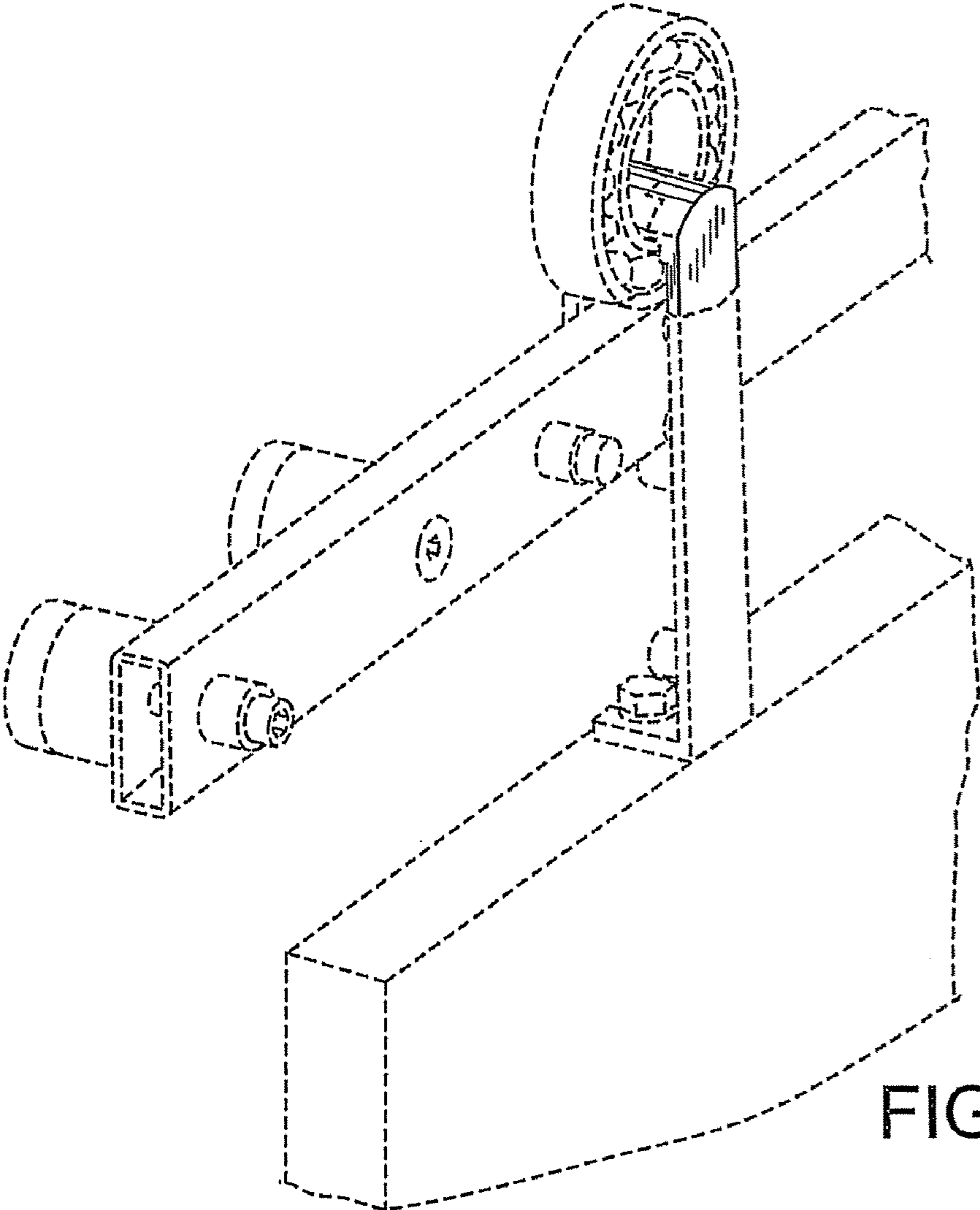


FIG. 1

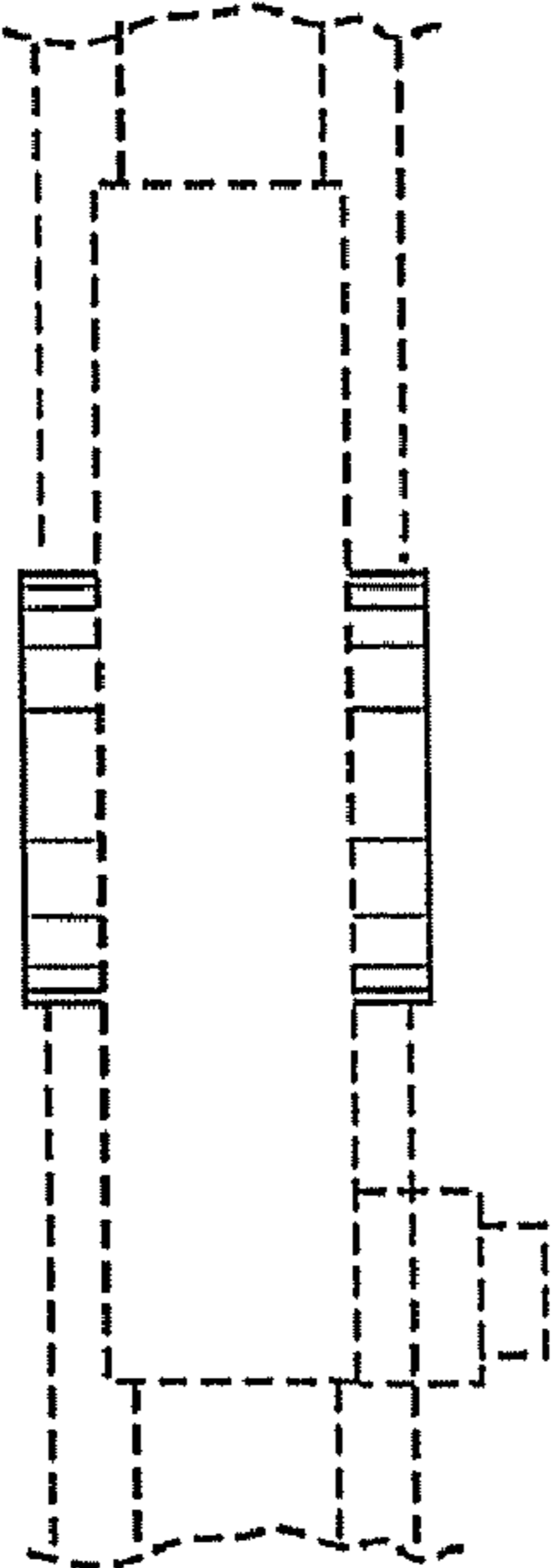


FIG. 2

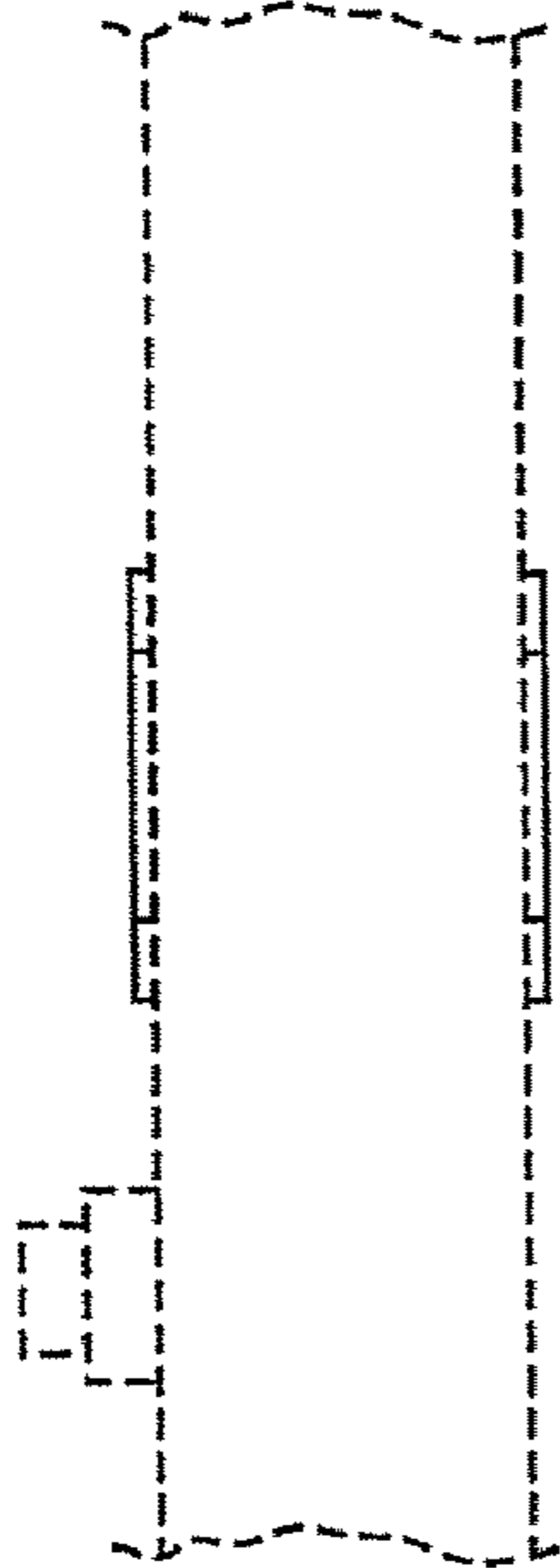


FIG. 3

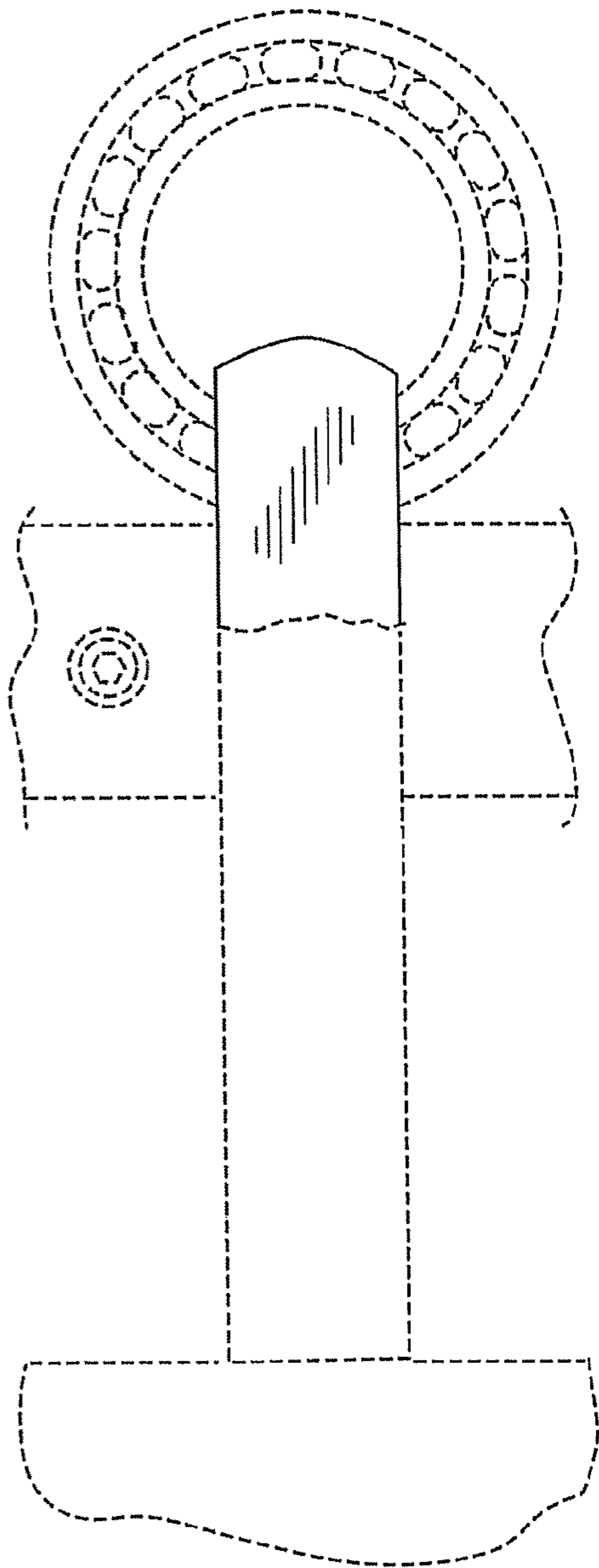


FIG. 4

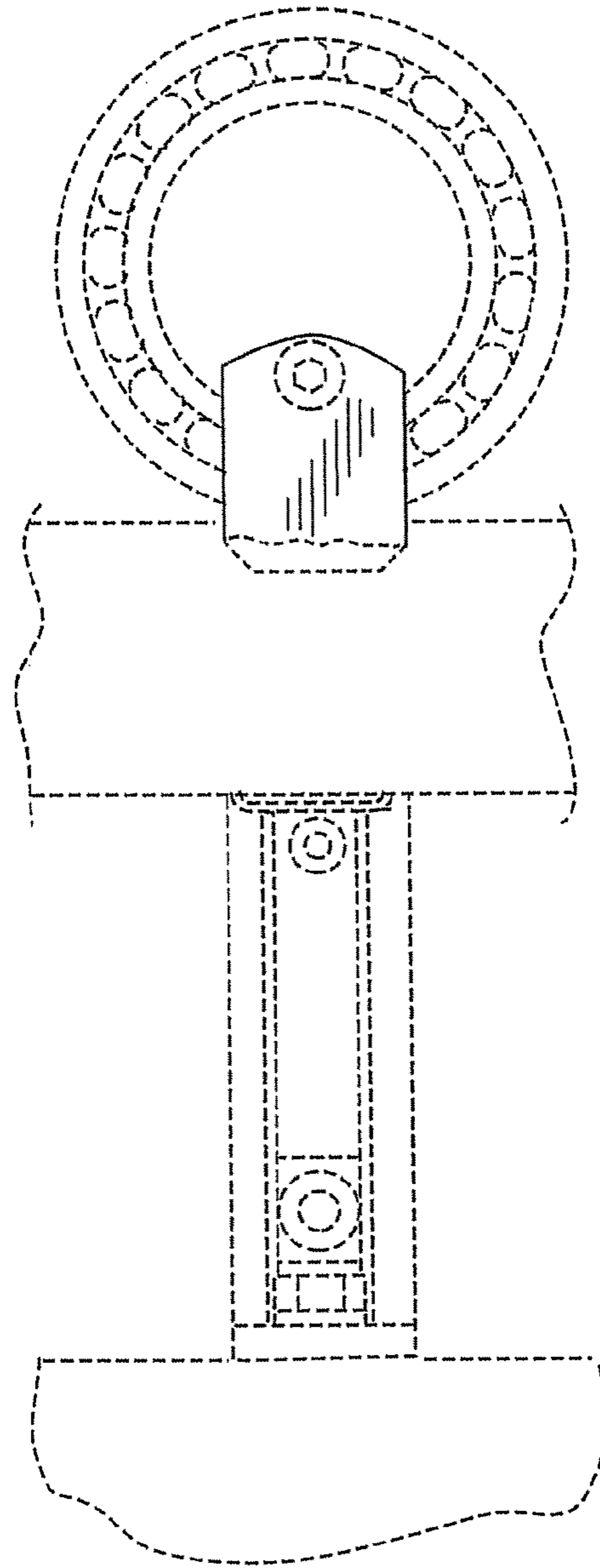


FIG. 5

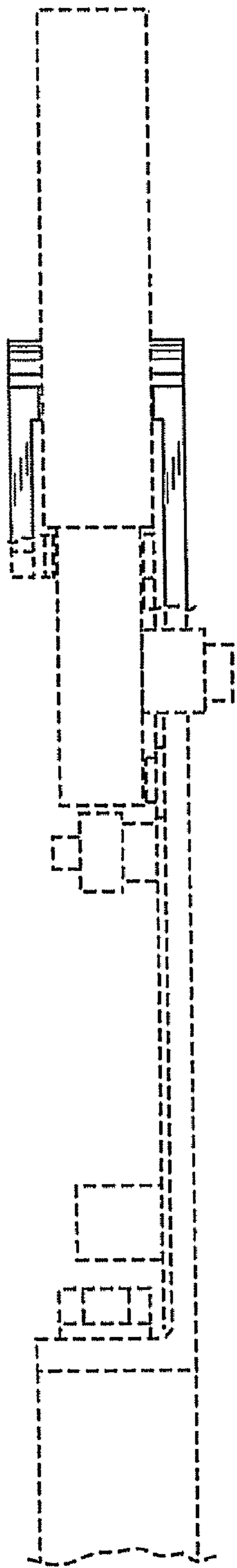


FIG. 6

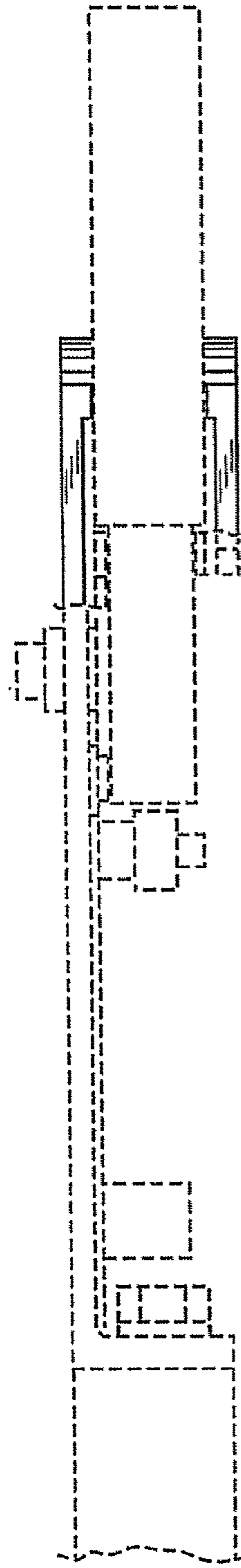


FIG. 7