



US00D651501S

(12) **United States Design Patent**  
**Maramotti**

(10) **Patent No.:** **US D651,501 S**  
(45) **Date of Patent:** **\*\* Jan. 3, 2012**

(54) **CLASP**

(75) Inventor: **Luigi Maramotti**, Albinea (IT)

(73) Assignee: **Max Mara S.r.l.**, Reggio Emilia (IT)

(\*\*) Term: **14 Years**

(21) Appl. No.: **29/389,273**

(22) Filed: **Apr. 8, 2011**

(30) **Foreign Application Priority Data**

Feb. 10, 2011 (EM) ..... 001819426

(51) **LOC (9) Cl.** ..... **08-07**

(52) **U.S. Cl.** ..... **D8/343**

(58) **Field of Classification Search** ..... D8/330,  
D8/331, 343, 344, 345, 349, 382, 400, 499;  
70/14, 51-56, 2, 158, 431; 292/1, 109, 256,  
292/258, 281, 288, 292, 306; 24/455, 461;  
D11/200

See application file for complete search history.

(56) **References Cited**

**U.S. PATENT DOCUMENTS**

4,270,247 A \* 6/1981 Freedom ..... 24/30.5 R  
4,270,249 A \* 6/1981 Meyerson et al. .... 24/601.5

5,857,243 A \* 1/1999 Champion ..... 24/71 J  
6,058,581 A \* 5/2000 Ehrlund ..... 24/705  
D495,237 S \* 8/2004 Tozer ..... D8/343  
D556,015 S \* 11/2007 Muchnik ..... D8/354  
D601,915 S \* 10/2009 Heroux ..... D11/87  
D615,847 S \* 5/2010 Tezak et al. .... D8/349  
7,748,087 B2 \* 7/2010 Dubois et al. .... 24/71 J  
7,966,701 B2 \* 6/2011 Shiue ..... 24/170

\* cited by examiner

*Primary Examiner* — Prabhakar Deshmukh

(74) *Attorney, Agent, or Firm* — Pearne & Gordon LLP

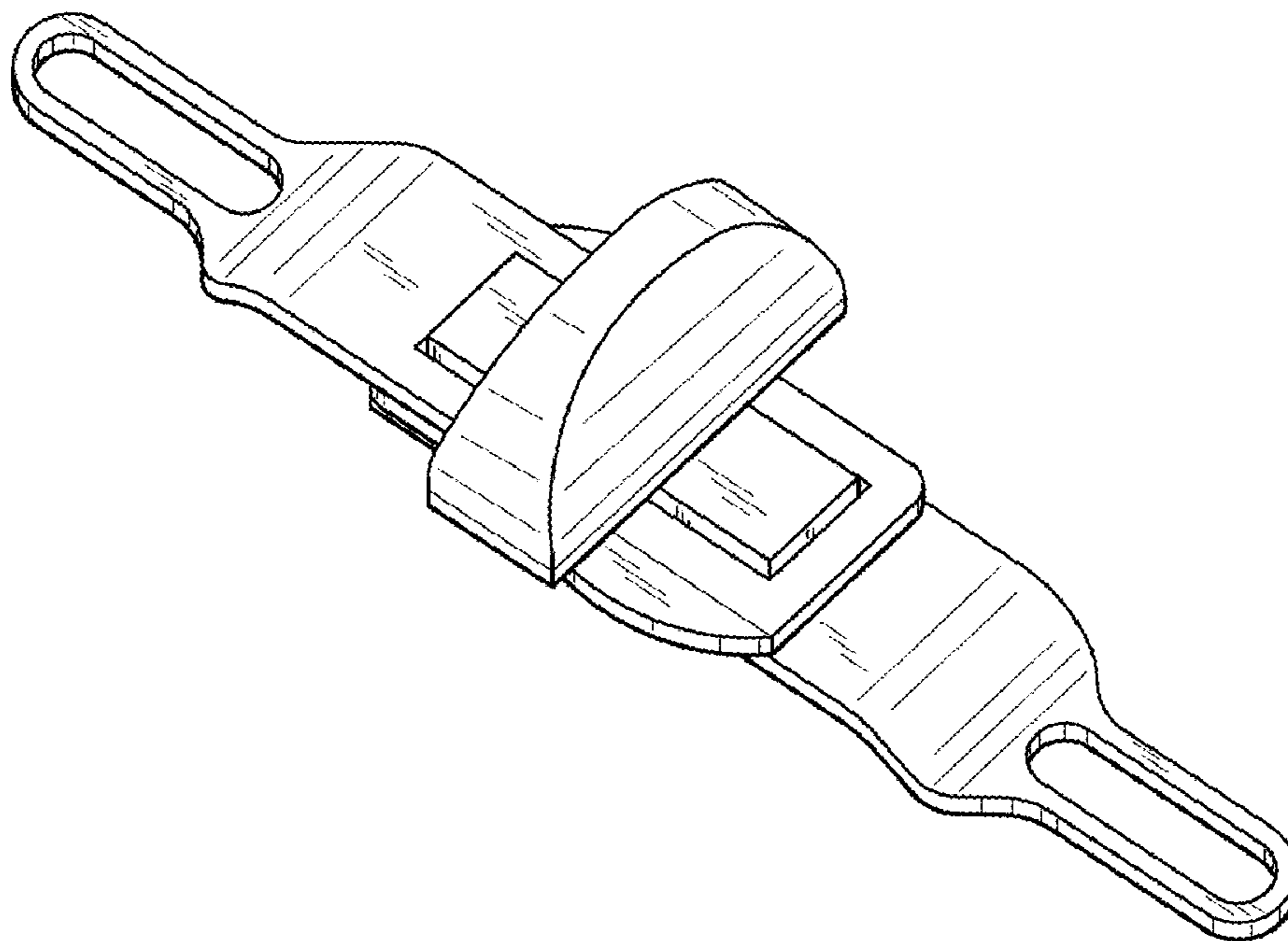
(57) **CLAIM**

The ornamental design for a clasp, as shown and described.

**DESCRIPTION**

FIG. 1 is a back-right-top perspective view of a clasp, showing my new design;  
FIG. 2 is a top plan view thereof;  
FIG. 3 is a bottom plan view thereof;  
FIG. 4 is a right side elevational view thereof;  
FIG. 5 is a left side elevational view thereof;  
FIG. 6 is a front elevational view thereof; and,  
FIG. 7 is a back elevational view thereof.

**1 Claim, 2 Drawing Sheets**



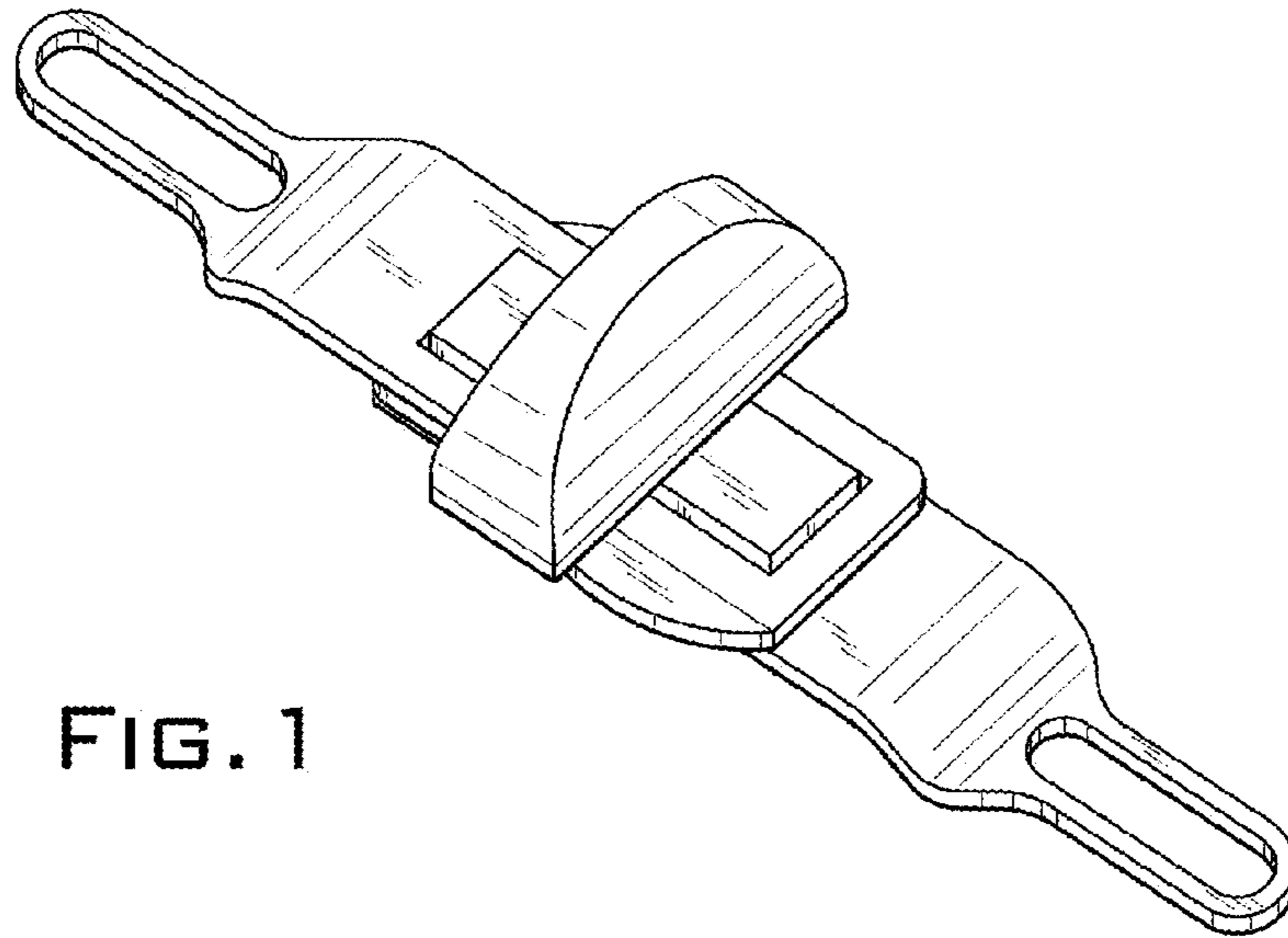


FIG. 1

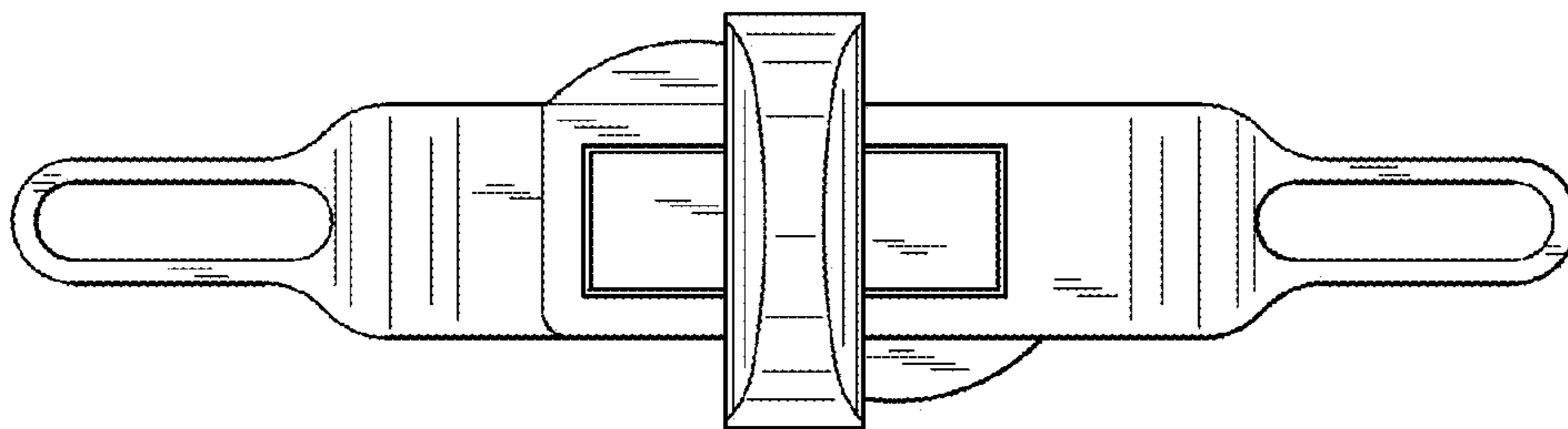


FIG. 2

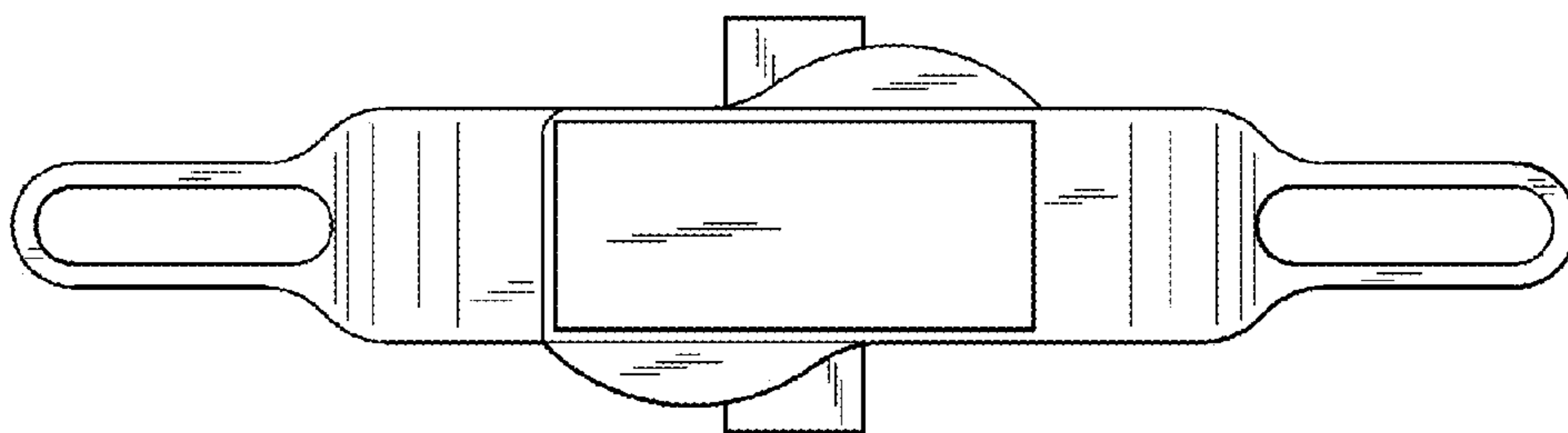


FIG. 3

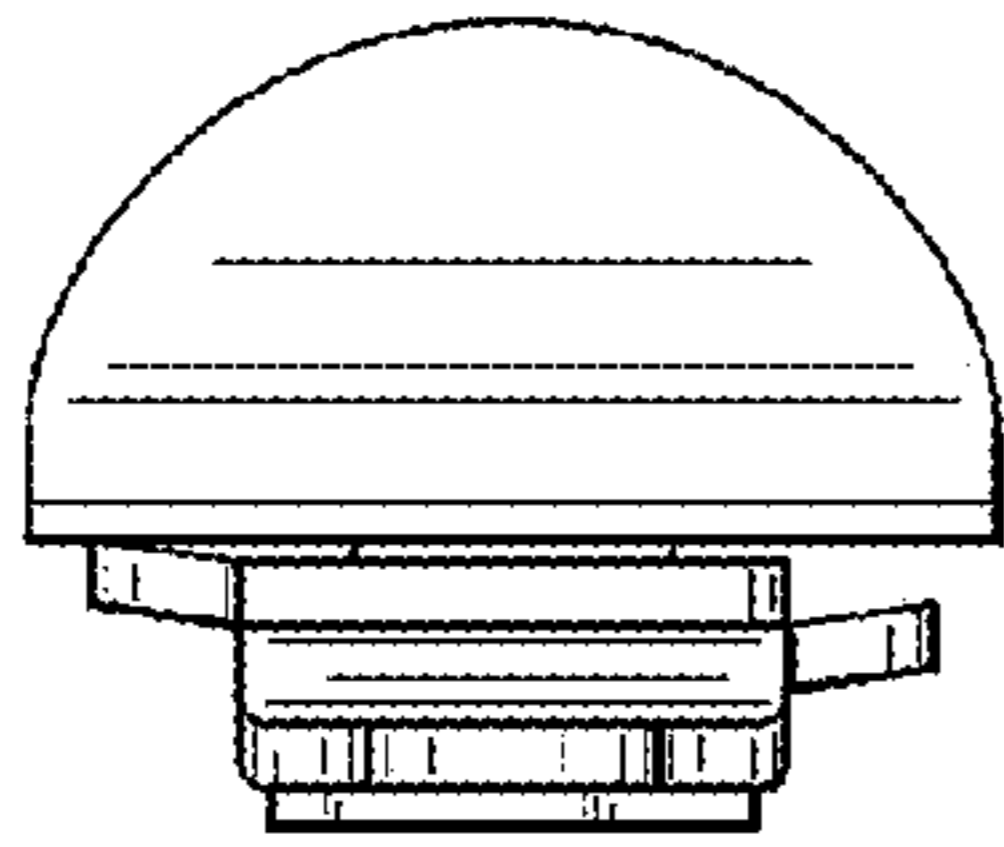


FIG. 4

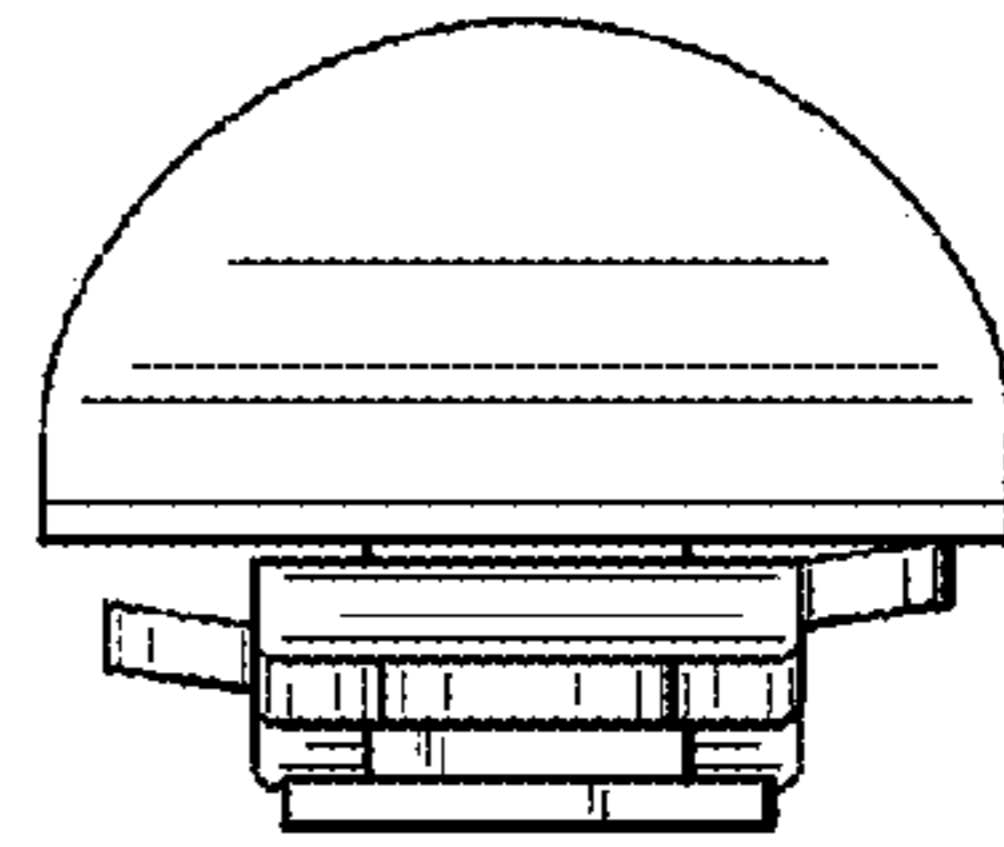


FIG. 5

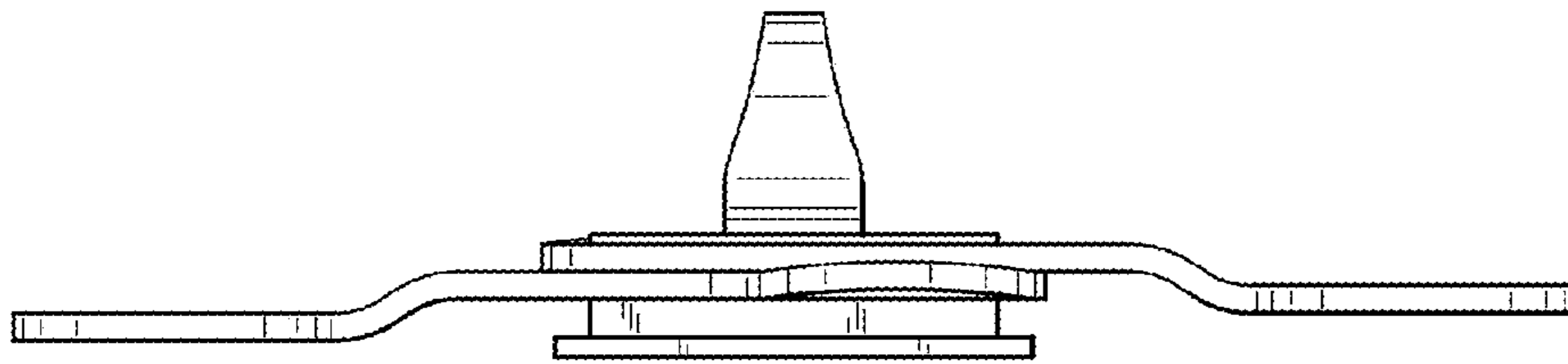


FIG. 6

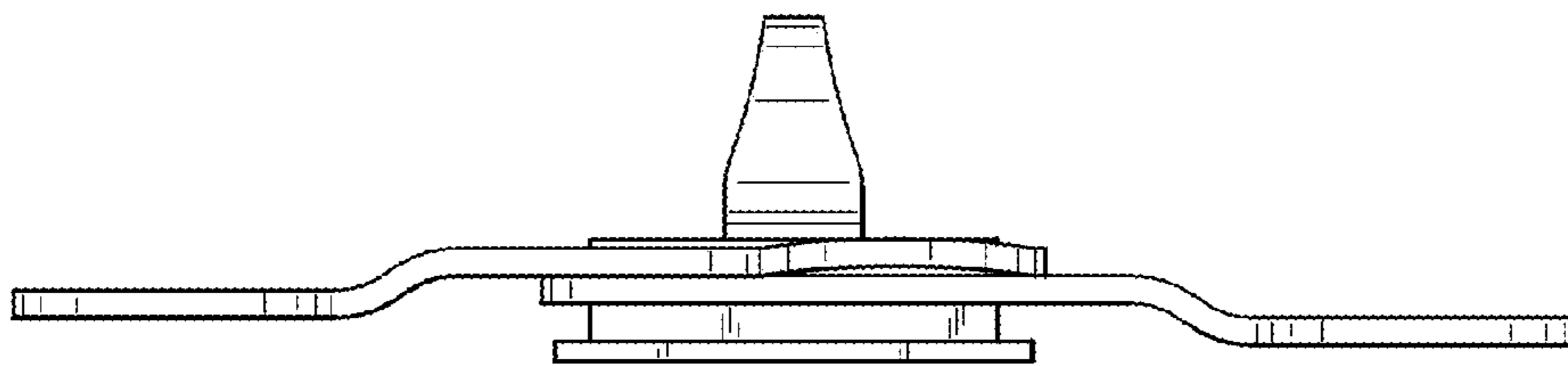


FIG. 7