



US00D651498S

(12) **United States Design Patent**
Neeser et al.

(10) **Patent No.:** **US D651,498 S**

(45) **Date of Patent:** **** Jan. 3, 2012**

(54) **TOOL**

(75) Inventors: **Mirco Neeser**, Ennetbaden (CH); **Flavio Finzo**, Wurenlos (CH); **Roland Widmer**, Bremgarten (CH)

(73) Assignee: **Illinois Tool Works Inc.**, Glenview, IL (US)

(**) Term: **14 Years**

(21) Appl. No.: **29/346,435**

(22) Filed: **Oct. 30, 2009**

(51) **LOC (9) Cl.** **08-05**

(52) **U.S. Cl.** **D8/67**

(58) **Field of Classification Search** D8/67,
D8/61, 64, 62; D10/102; D15/145; 100/2,
100/29; 53/589; 451/335; 156/73.5; 228/112.1
See application file for complete search history.

(56) **References Cited**

U.S. PATENT DOCUMENTS

D286,737	S	*	11/1986	House et al.	D8/62
D315,281	S	*	3/1991	Bosten et al.	D8/64
D323,099	S	*	1/1992	Sakamoto et al.	D8/62
D338,214	S	*	8/1993	Crittenden et al.	D15/145
D349,294	S	*	8/1994	Nix et al.	D15/145
D365,006	S	*	12/1995	Cheung et al.	D8/67
D400,771	S	*	11/1998	Smith et al.	D8/64
D420,875	S	*	2/2000	Okitsu et al.	D8/62
D431,438	S	*	10/2000	Flender et al.	D8/64
D448,638	S	*	10/2001	Uhl et al.	D8/67

7,235,005	B2	*	6/2007	Schnell et al.	451/355
D629,321	S	*	12/2010	Neeser et al.	D10/102
2010/0107573	A1	*	5/2010	Neeser et al.	53/589
2011/0056392	A1	*	3/2011	Neeser et al.	100/29
2011/0100233	A1	*	5/2011	Neeser et al.	100/2

* cited by examiner

Primary Examiner — Austin Murphy

(74) *Attorney, Agent, or Firm* — Levenfeld Pearlstein, LLC

(57) **CLAIM**

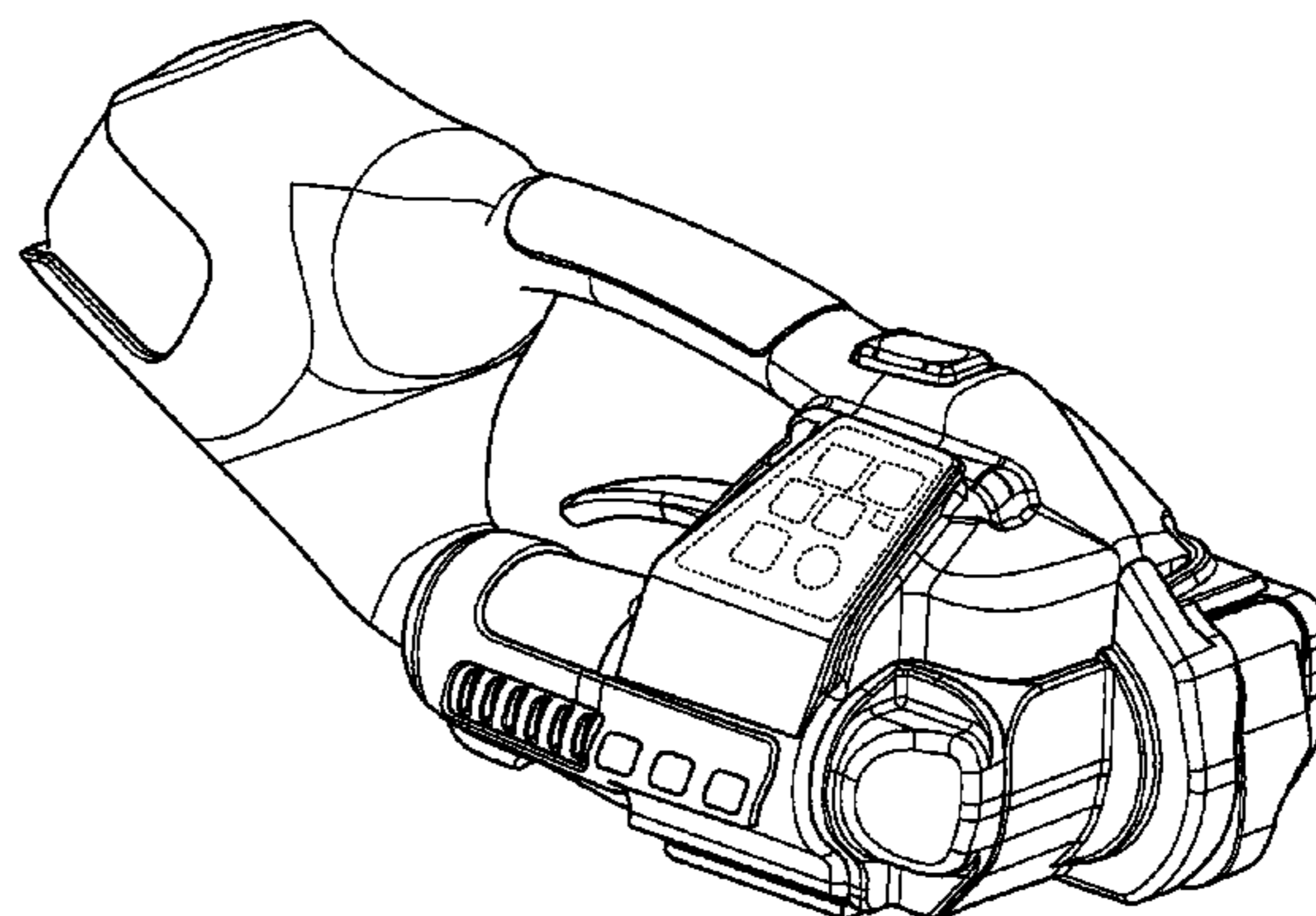
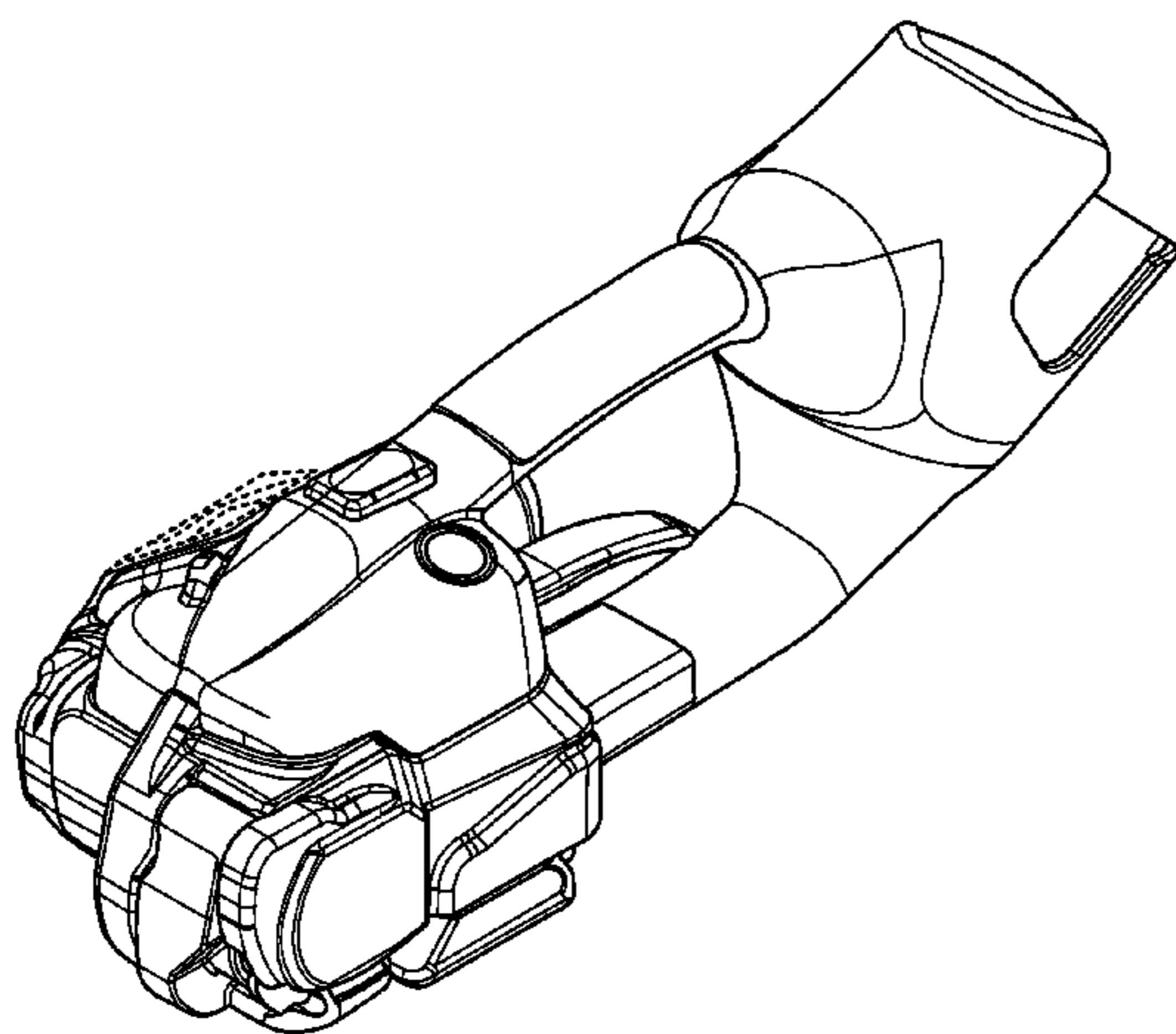
The ornamental design for a tool, as shown and described.

DESCRIPTION

FIG. 1 is a front, top, right hand side perspective view of a tool embodying the principles of my our design;
 FIG. 2 is a front, left hand side perspective view thereof;
 FIG. 3 is a side view thereof as seen from the left hand side of FIG. 1;
 FIG. 4 is a side view thereof as seen from the right hand side of FIG. 1;
 FIG. 5 is top view thereof;
 FIG. 6 is a front view thereof;
 FIG. 7 is a rear view thereof; and,
 FIG. 8 is a bottom view thereof.

The tool being shown with a control panel in FIGS. 1, 2, 3 and 5 in phantom lines and forming no part of the claimed design; and FIG. 1 showing the tool with the battery removed for clarity of illustration only.

1 Claim, 8 Drawing Sheets



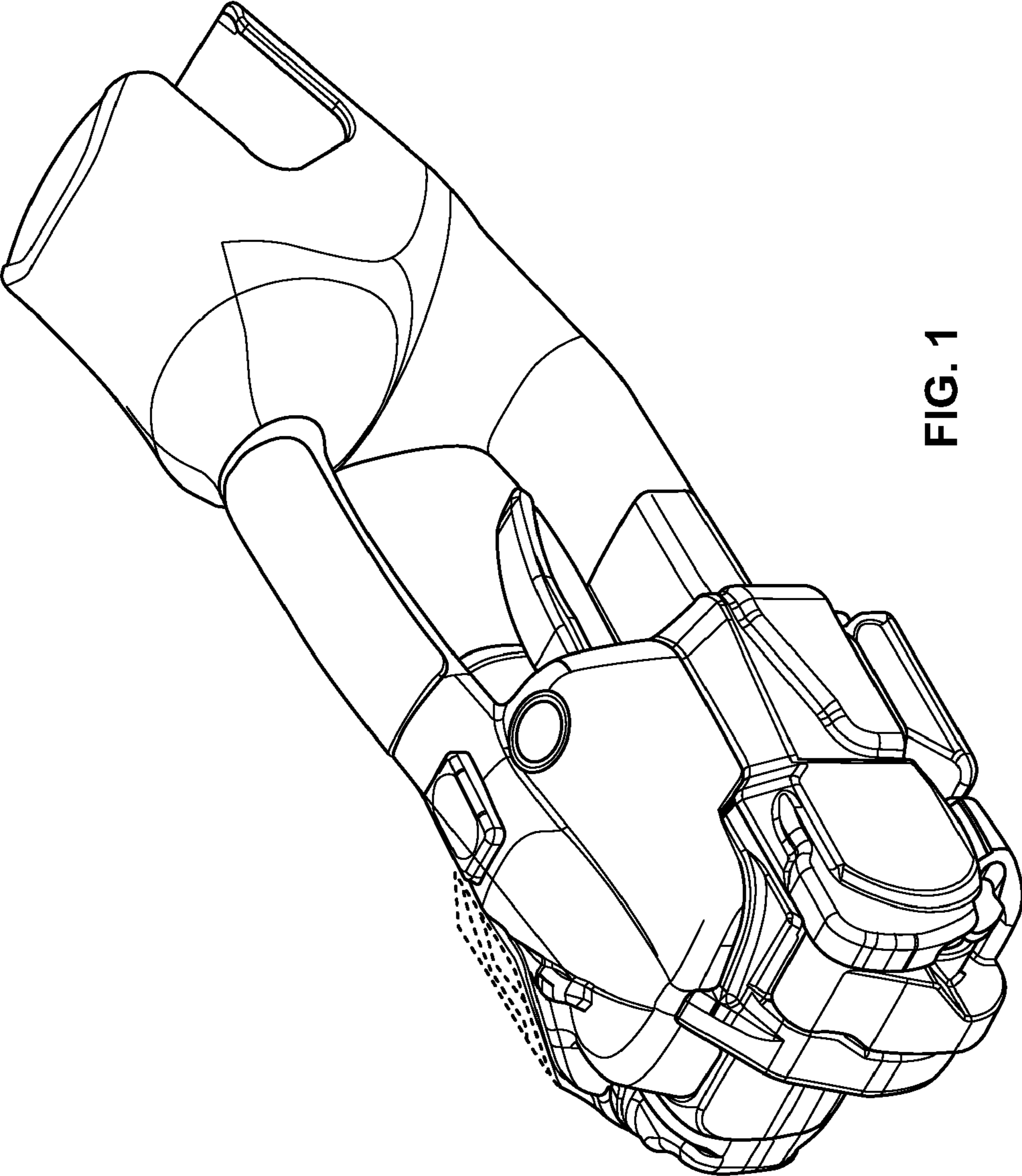


FIG. 1

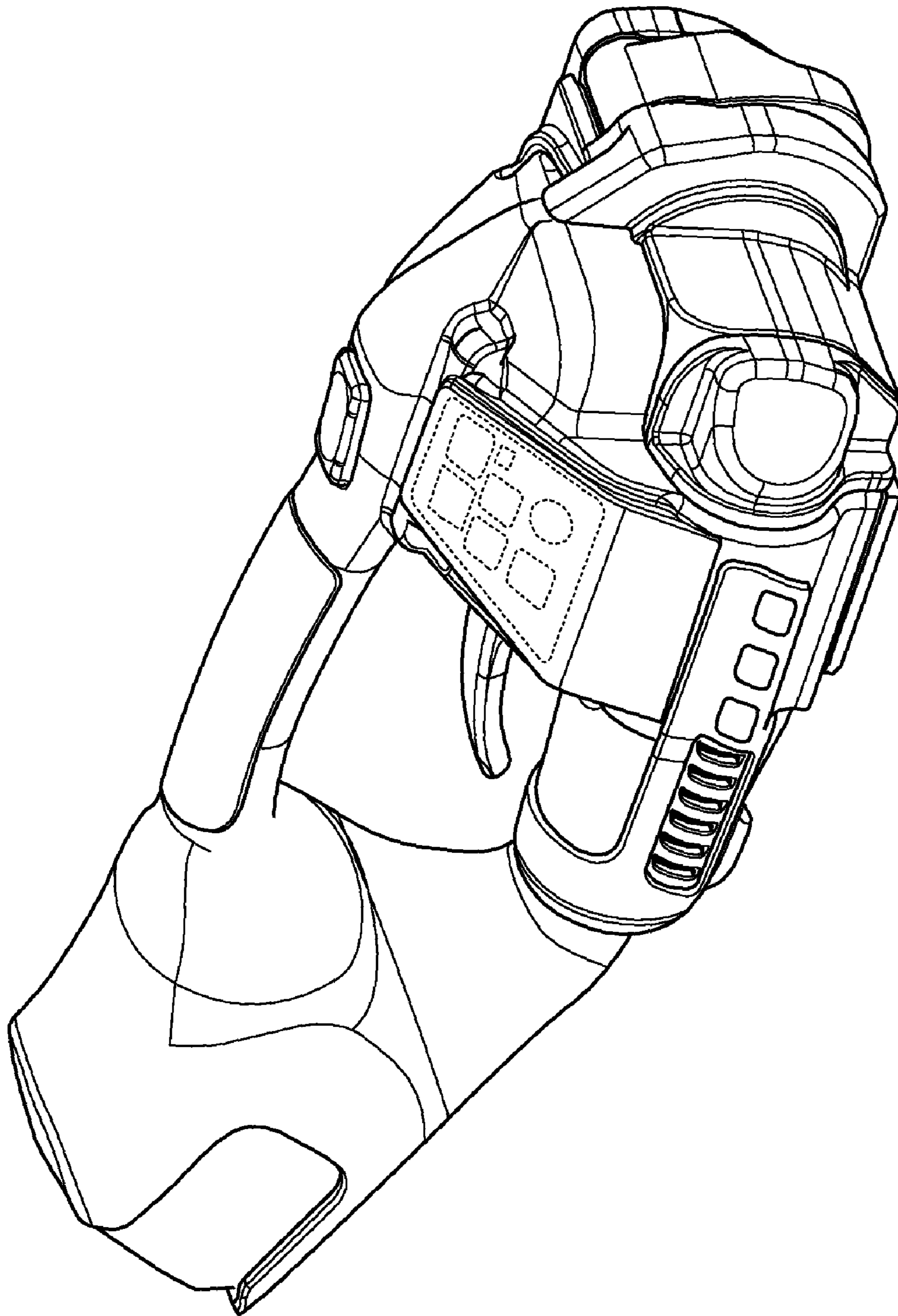


FIG. 2

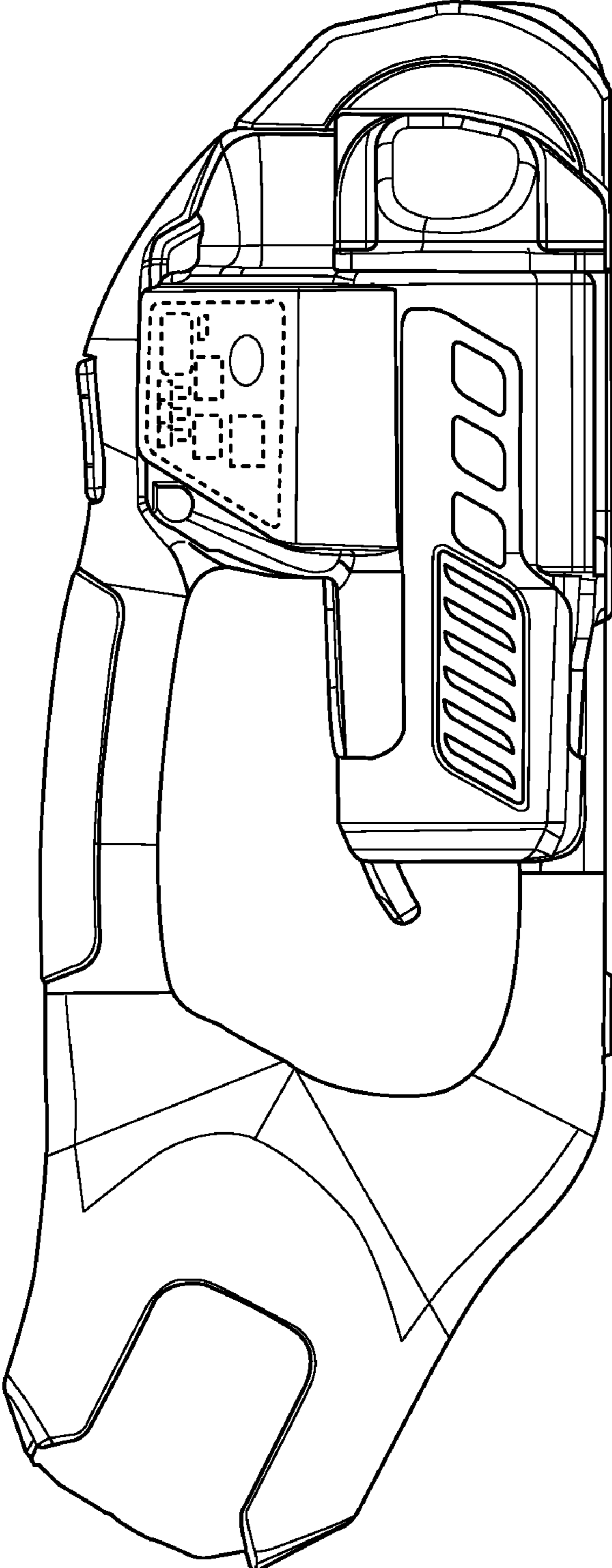


FIG. 3

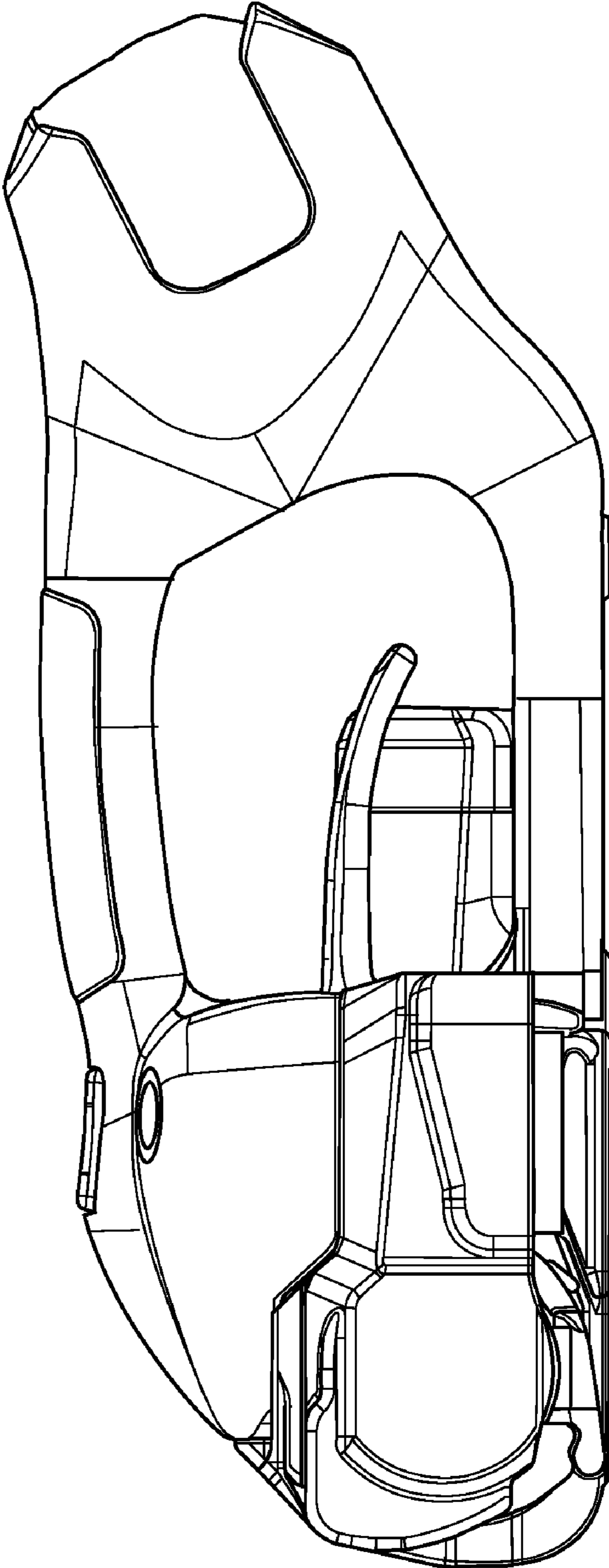


FIG. 4

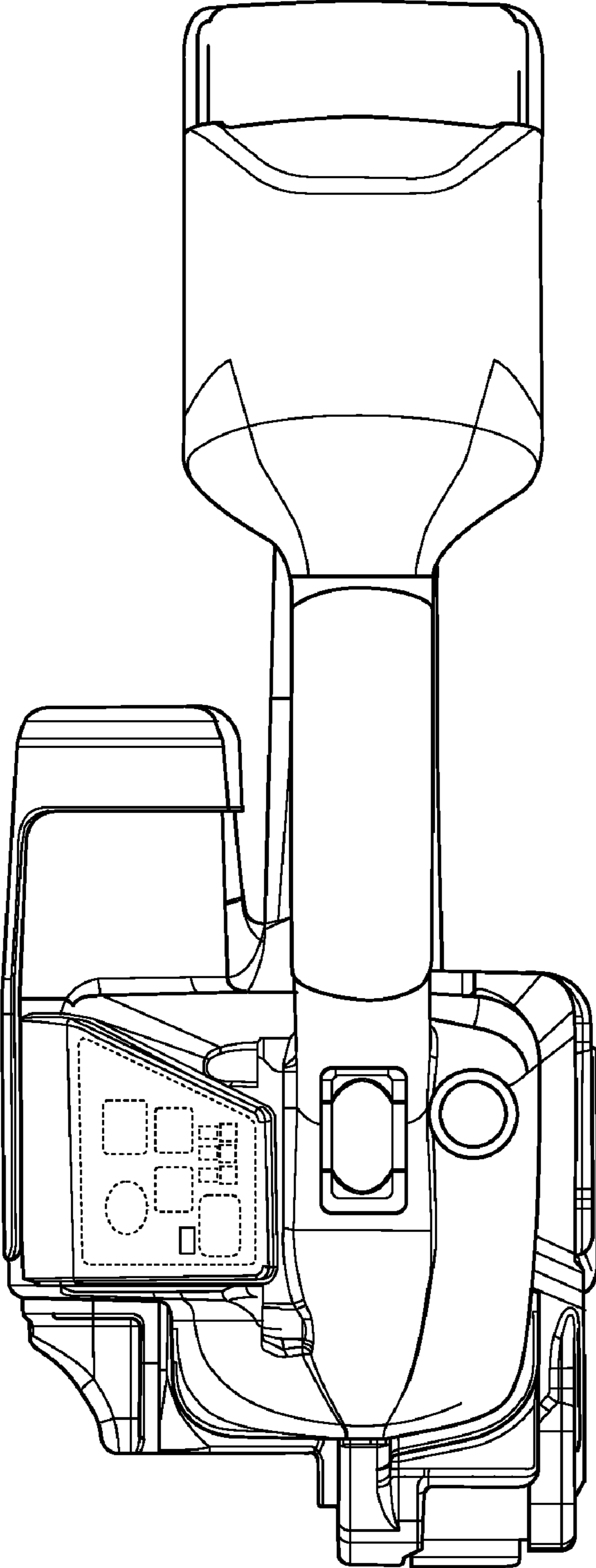


FIG. 5

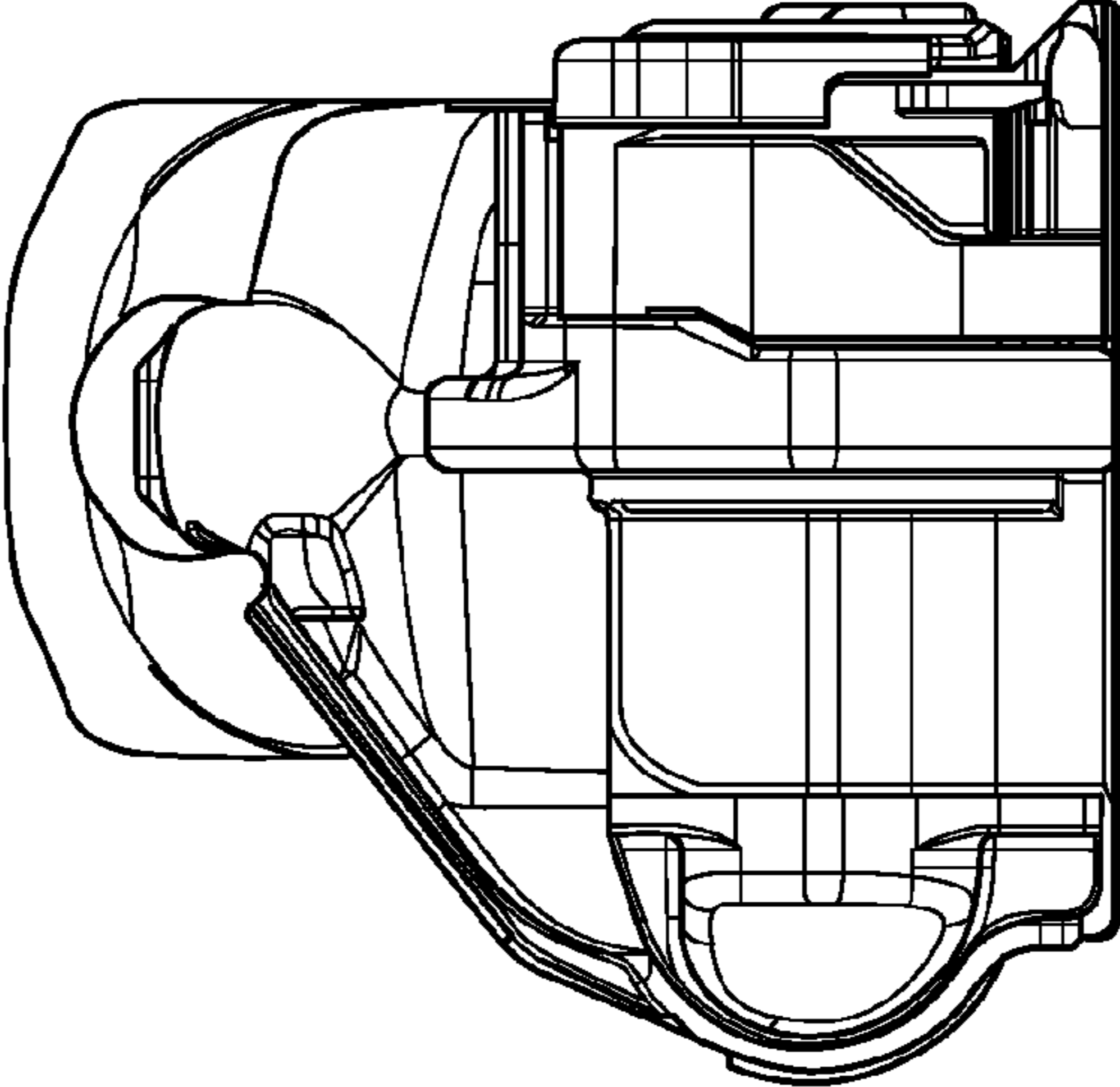


FIG. 6

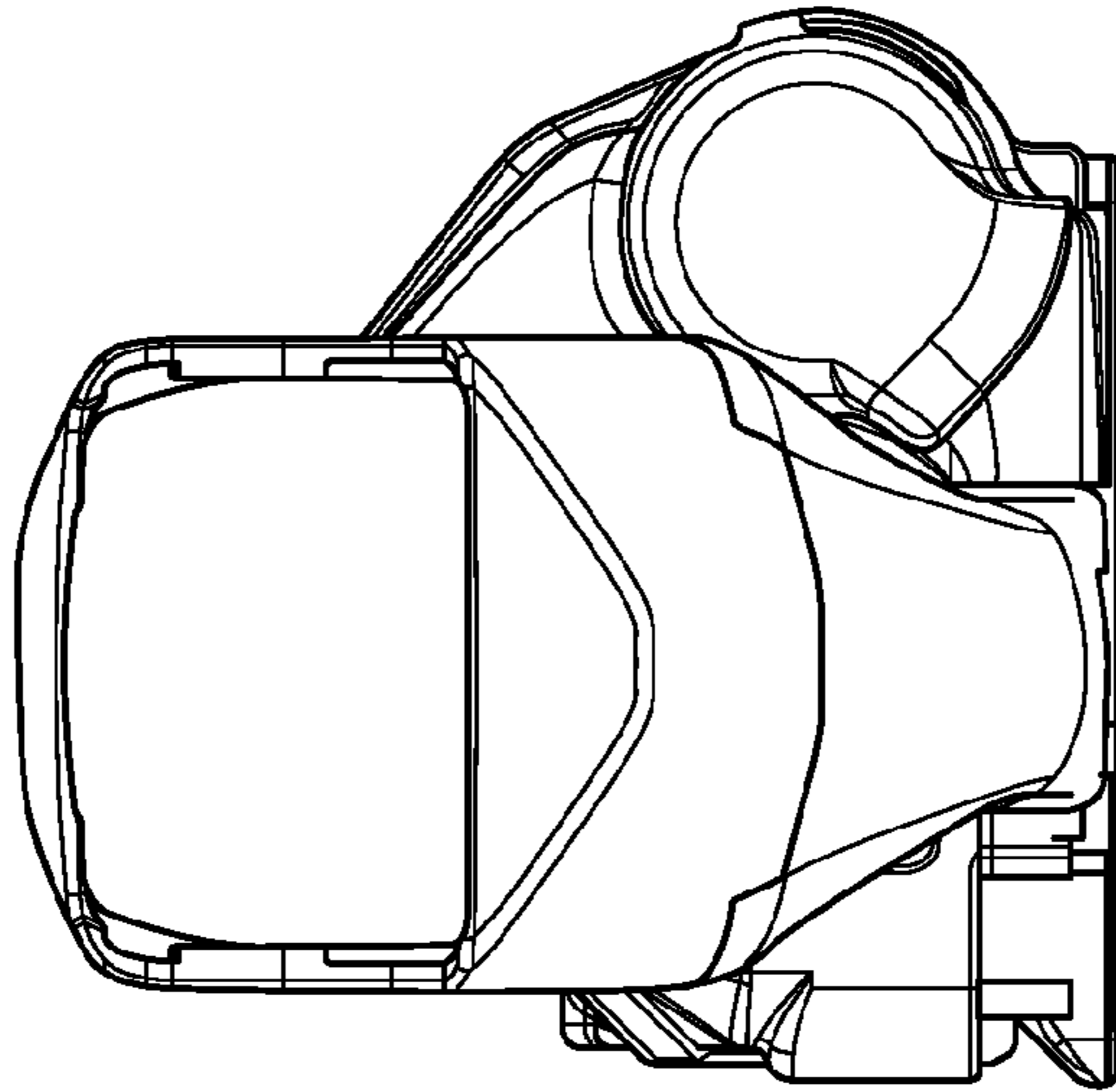


FIG.7

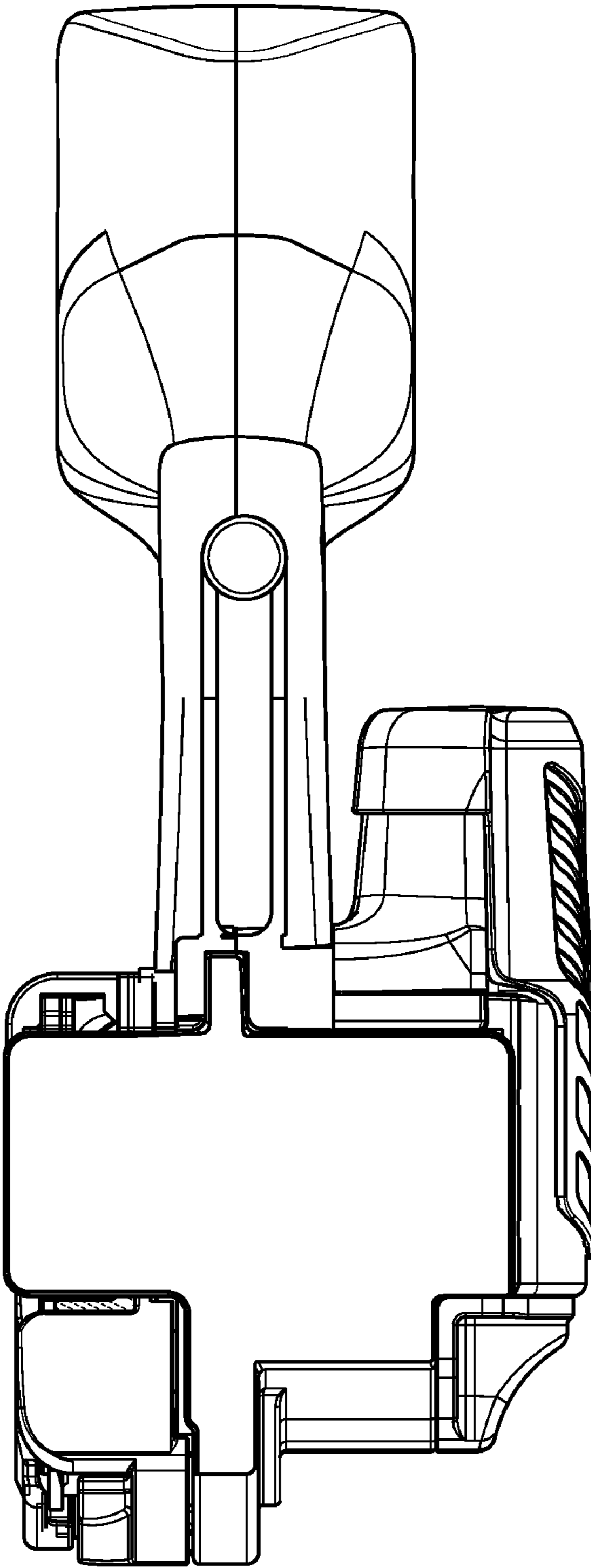


FIG. 8

UNITED STATES PATENT AND TRADEMARK OFFICE
CERTIFICATE OF CORRECTION

PATENT NO. : D651,498 S
APPLICATION NO. : 29/346435
DATED : January 3, 2012
INVENTOR(S) : Mirco Neeser, Flavio Finzo and Roland Widmer

Page 1 of 1

It is certified that error appears in the above-identified patent and that said Letters Patent is hereby corrected as shown below:

Title Page, Description, Col. 2, line 2;

The phrase “embodying the principles of my our design” should read, “embodying the principles of our design”.

Signed and Sealed this
Nineteenth Day of June, 2012

A handwritten signature in black ink that reads "David J. Kappos". The signature is written in a cursive style with a large initial 'D' and 'K'.

David J. Kappos
Director of the United States Patent and Trademark Office