



US00D651485S

(12) **United States Design Patent**
Michalek

(10) **Patent No.:** **US D651,485 S**
(45) **Date of Patent:** **** Jan. 3, 2012**

(54) **SHORT HANDLED COOKING SPATULA**

(76) Inventor: **Susan Michalek**, Bartlett, IL (US)

(**) Term: **14 Years**

(21) Appl. No.: **29/383,837**

(22) Filed: **Jan. 22, 2011**

(51) **LOC (9) Cl.** **07-02**

(52) **U.S. Cl.** **D7/688**

(58) **Field of Classification Search** D7/680-696,
D7/368, 669; D32/40, 46; 294/1.1, 49, 51,
294/55, 7, 8, 54.5

See application file for complete search history.

(56) **References Cited**

U.S. PATENT DOCUMENTS

D193,571 S * 9/1962 Minnick D7/686
D333,413 S * 2/1993 Kistner D7/683

D629,663 S * 12/2010 Grobelny D7/693
* cited by examiner

Primary Examiner — Terry Wallace

(57) **CLAIM**

The ornamental design for a short handled cooking spatula, as shown and described.

DESCRIPTION

FIG. 1 is a top perspective view of a short handled cooking spatula showing my new design.

FIG. 2 is a left side elevational view thereof.

FIG. 3 is a right side elevational view thereof.

FIG. 4 is a rear elevational view thereof.

FIG. 5 is a front elevational view thereof.

FIG. 6 is a top plan view thereof; and,

FIG. 7 is a bottom plan view thereof.

1 Claim, 4 Drawing Sheets

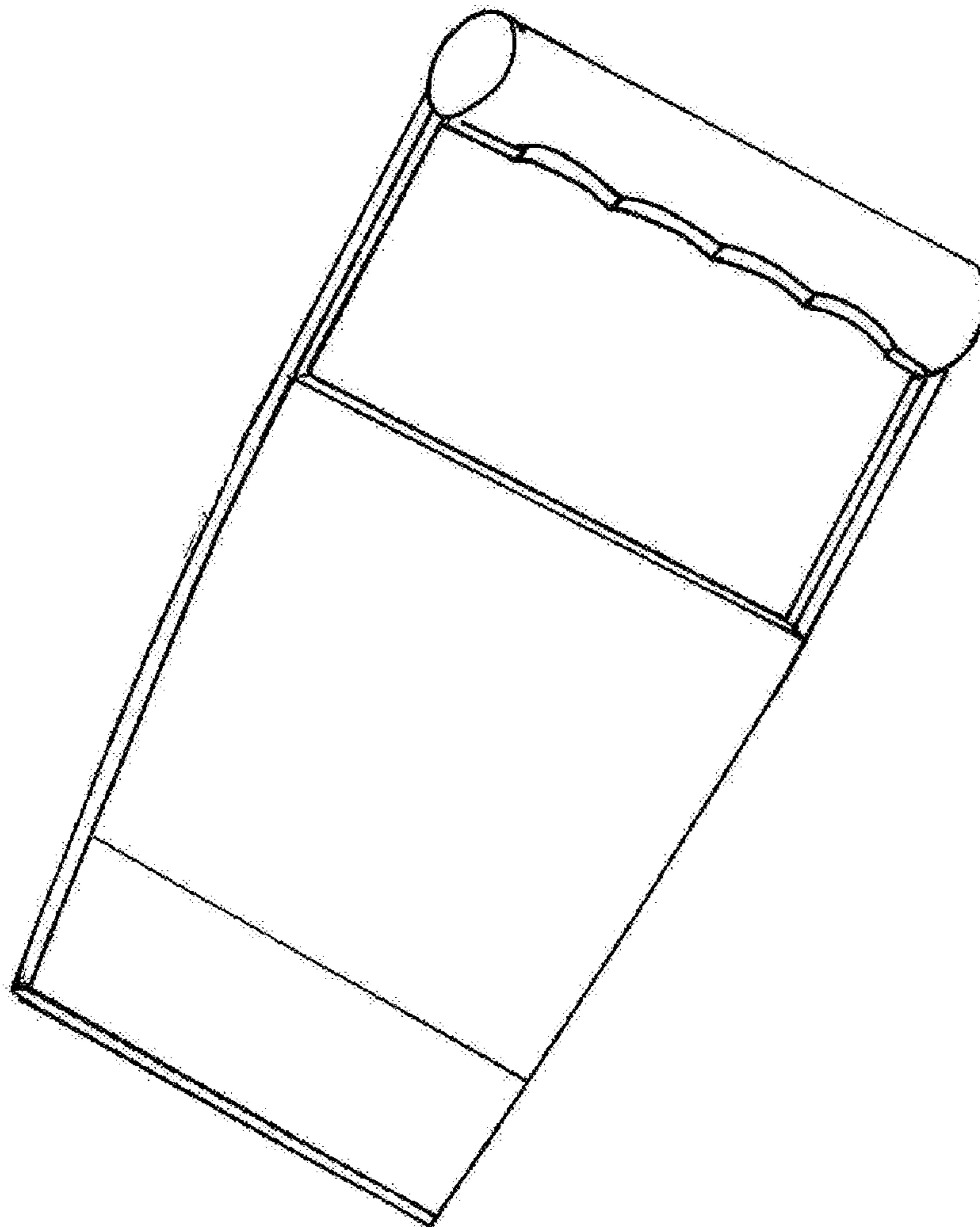


Figure 1.

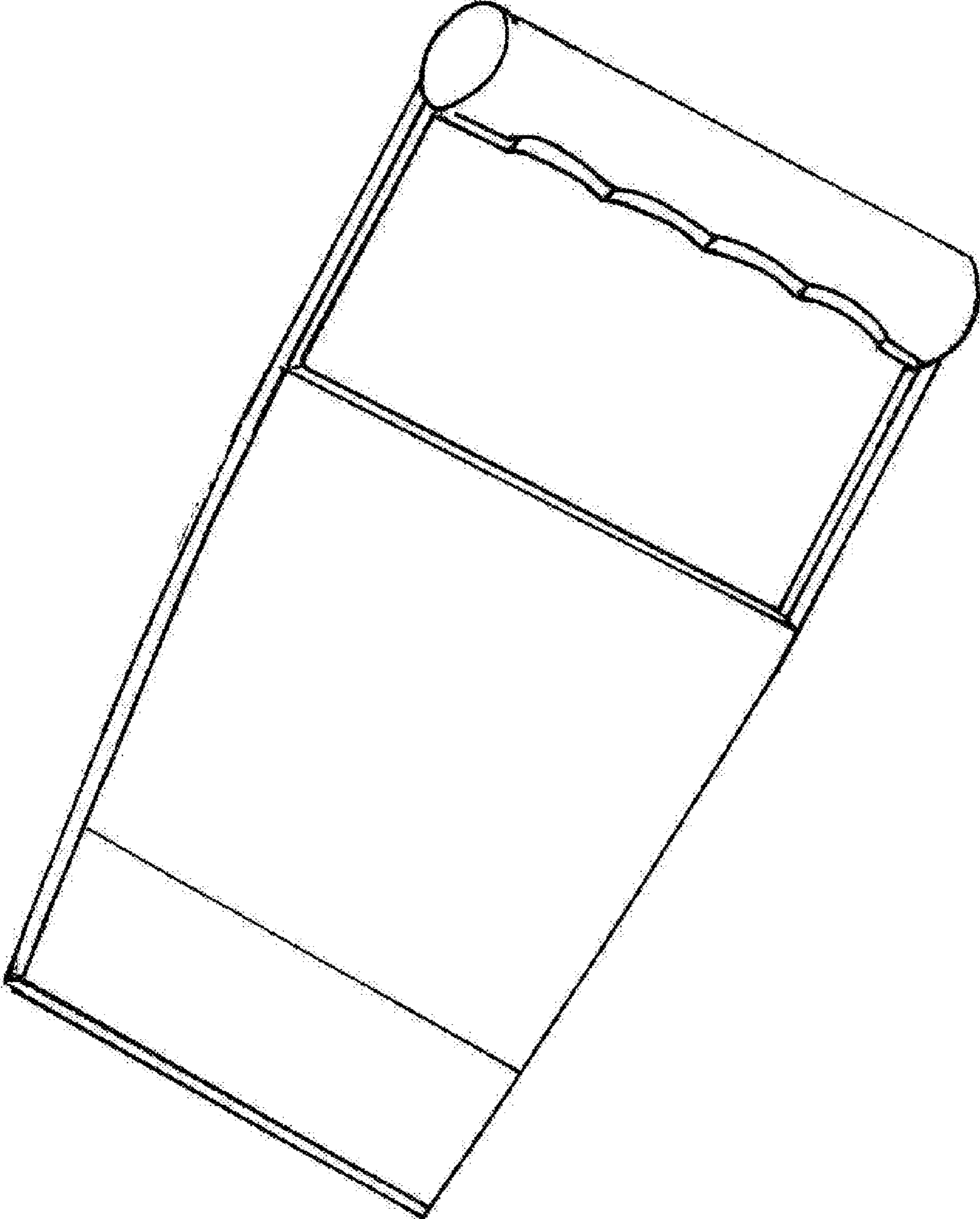


Figure 2.

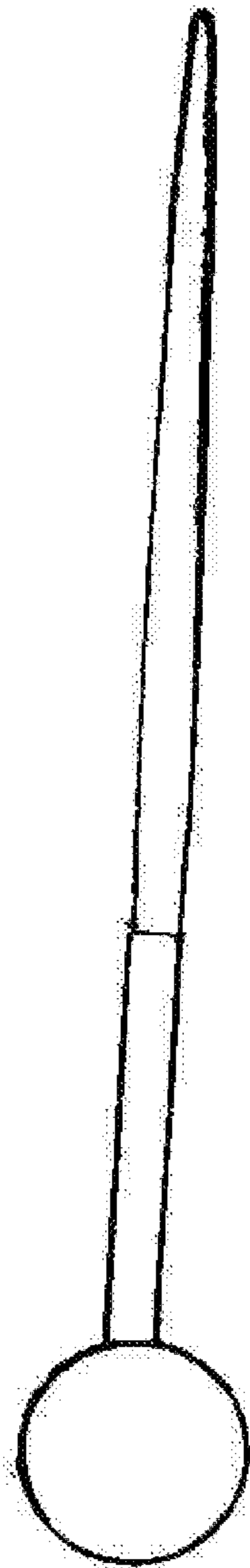
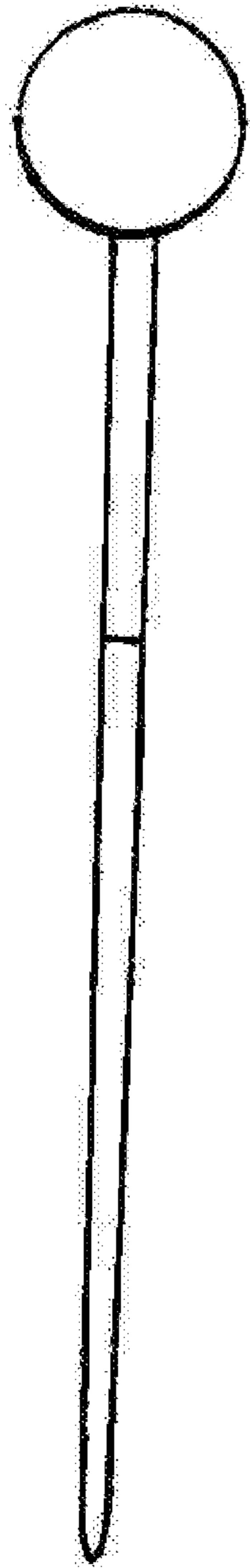


Figure 3.

Figure 4.

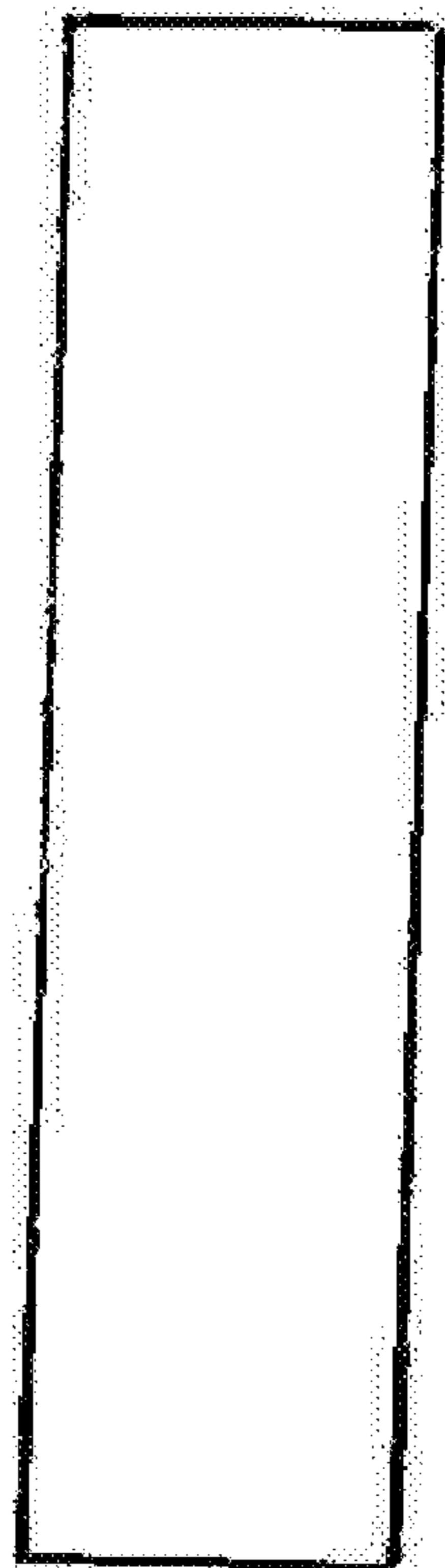


Figure 5.

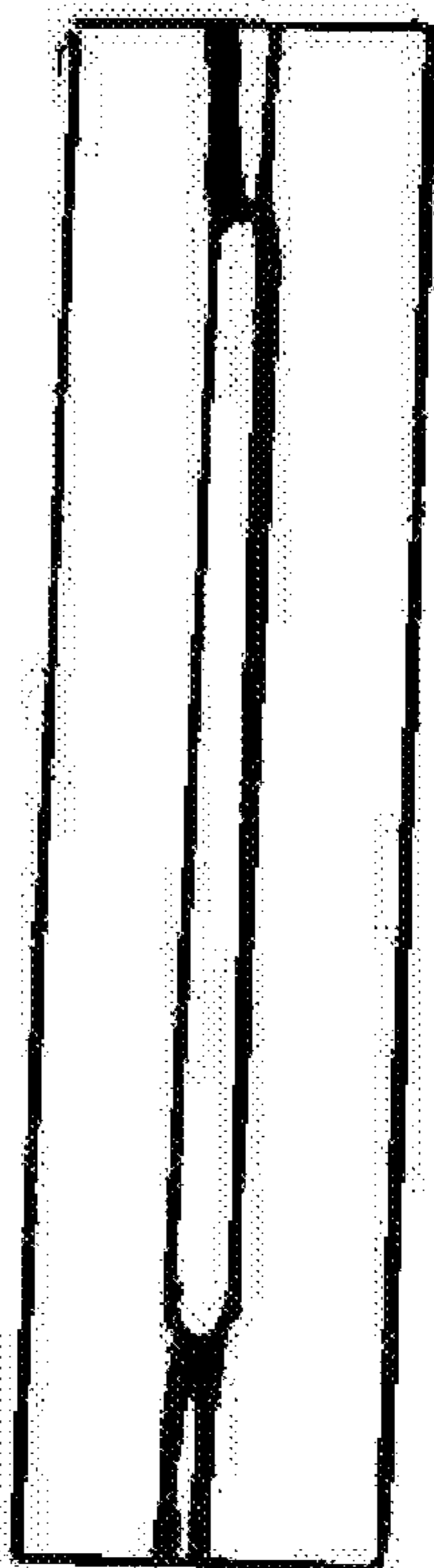


Figure 6.

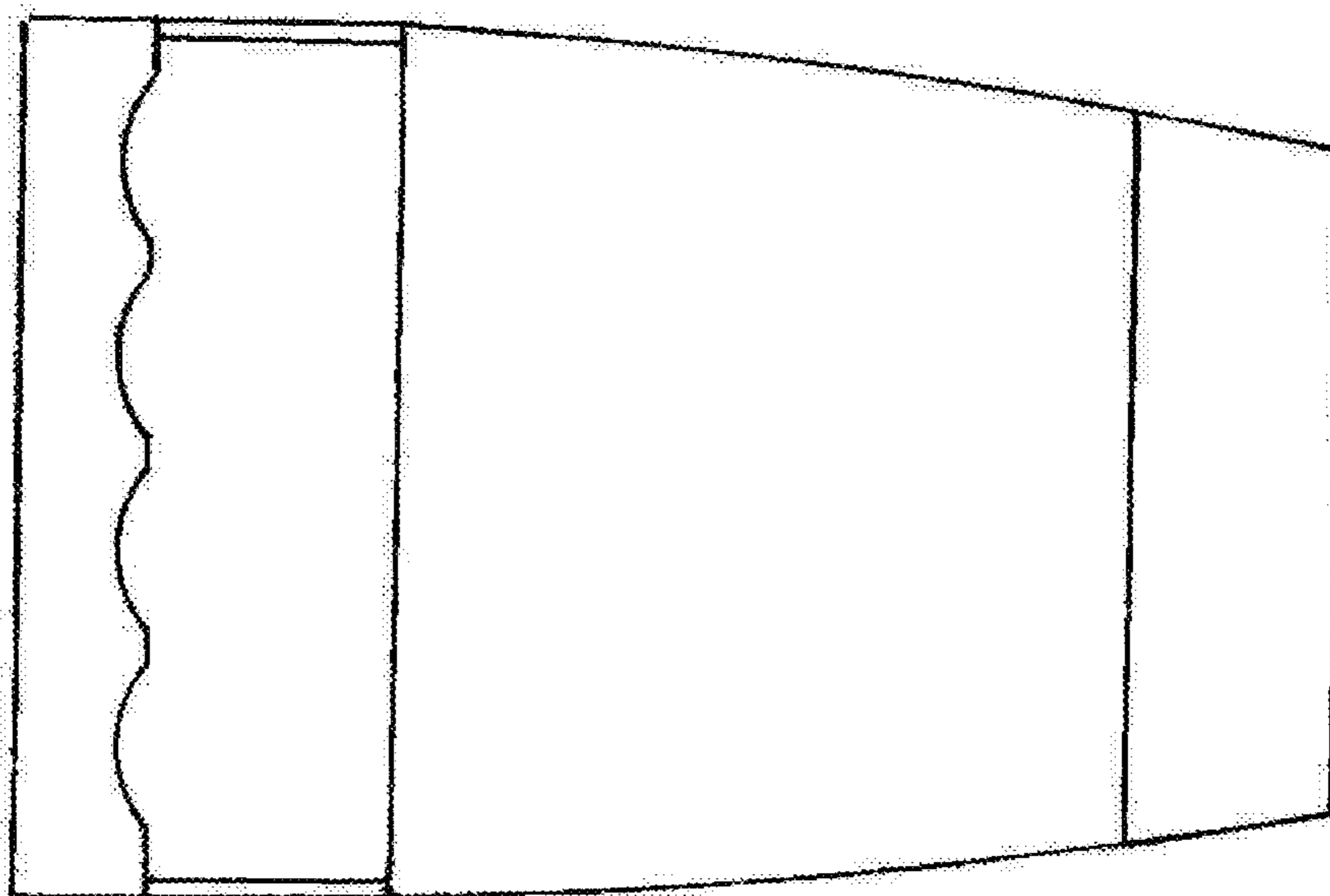


Figure 7.

