



US00D651483S

(12) **United States Design Patent**
Bagley

(10) **Patent No.:** **US D651,483 S**
(45) **Date of Patent:** **** Jan. 3, 2012**

(54) **MANDOLINE SLICER**

(75) Inventor: **Justin Bagley**, Seattle, WA (US)

(73) Assignee: **Progressive International Corporation**,
Kent, WA (US)

(**) Term: **14 Years**

(21) Appl. No.: **29/384,925**

(22) Filed: **Feb. 5, 2011**

(51) **LOC (9) Cl.** **07-04**

(52) **U.S. Cl.** **D7/673**

(58) **Field of Classification Search** D7/672-678,
D7/693, 381, 382, 384, 372, 669, 368; 241/93,
241/94, 37.5, 36, 168, 169, 273.1-273.4,
241/100, 285.1, 285.2, 283, 101.1; 83/651.1,
83/648, 856, 857, 932, 425.3, 431, 435.15,
83/437.7, 441.1, 247, 13, 167; 99/537, 588;
30/279.6, 280

See application file for complete search history.

(56) **References Cited**

U.S. PATENT DOCUMENTS

D326,388 S * 5/1992 Boerner D7/673
6,082,645 A * 7/2000 Himmighofen et al. 241/168
6,732,622 B2 * 5/2004 Vincent 83/247
D495,218 S * 8/2004 Yu D7/673
D503,314 S * 3/2005 Wong D7/673
D505,301 S * 5/2005 Wong D7/673
D534,041 S * 12/2006 De Buyer D7/673

D535,162 S * 1/2007 De Buyer D7/673
D548,548 S * 8/2007 Lee D7/673
D573,853 S * 7/2008 Ericsson D7/672
7,543,768 B2 * 6/2009 Cohen et al. 241/36
7,621,207 B2 11/2009 Botsai et al.
2007/0089577 A1 * 4/2007 Wong 83/13

FOREIGN PATENT DOCUMENTS

EP 1798010 A2 6/2007
GB 2313771 A 12/1997

OTHER PUBLICATIONS

“Easy Slice 2, Folding Mandoline,” Zyliss Swiss International, pp. 8,
printed May 18, 2009.

* cited by examiner

Primary Examiner — Terry Wallace

(74) *Attorney, Agent, or Firm* — Lowe Graham Jones PLLC

(57) **CLAIM**

I claim the ornamental design for the mandoline slicer, as
shown.

DESCRIPTION

FIG. 1 is a perspective view of the mandoline slicer, showing
my new design;

FIG. 2 is a top view of the mandoline slicer;

FIG. 3 is a front view of the mandoline slicer;

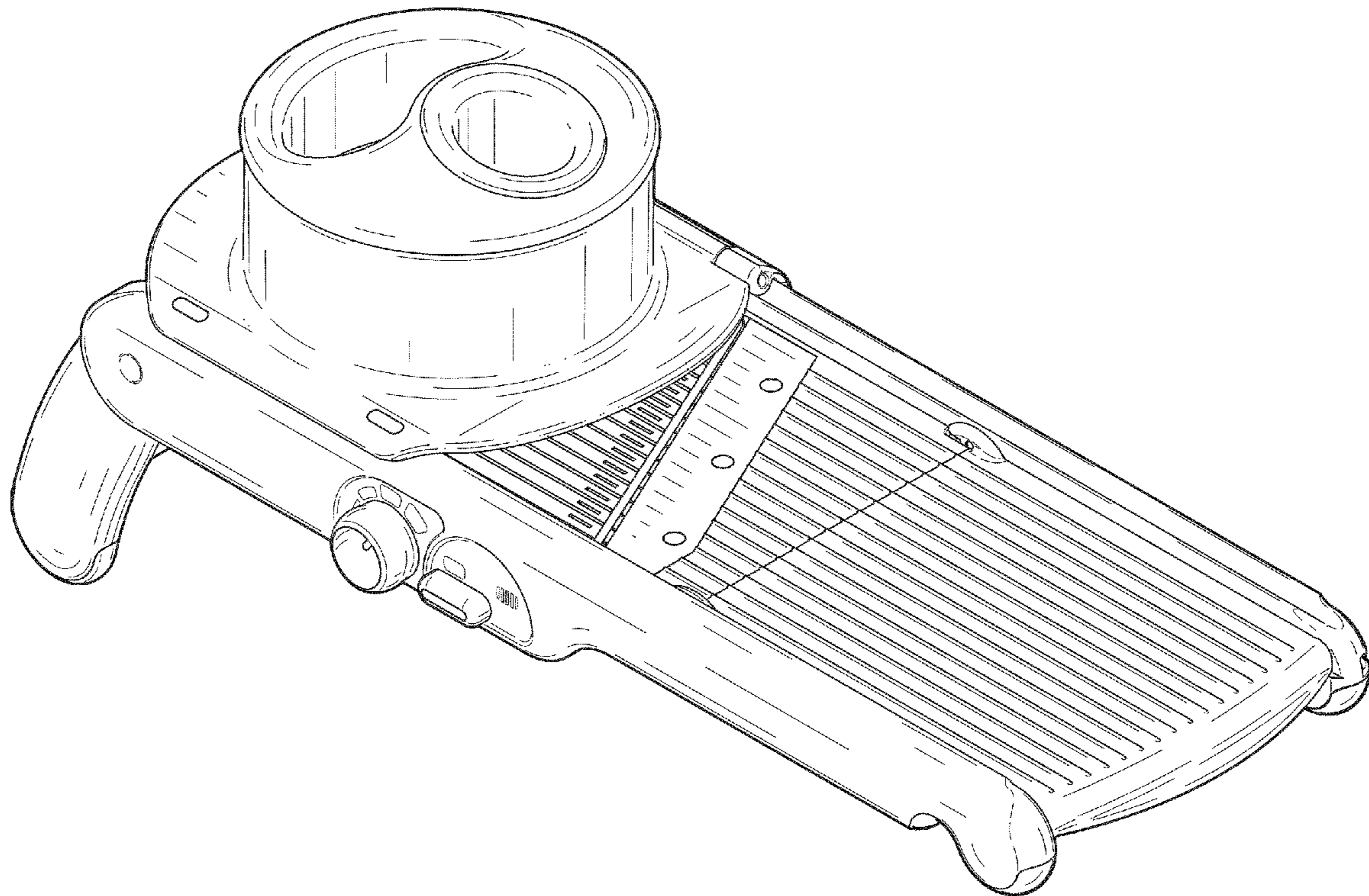
FIG. 4 is a back view of the mandoline slicer;

FIG. 5 is a left side view of the mandoline slicer;

FIG. 6 is a right side view of the mandoline slicer; and

FIG. 7 is a bottom view of the mandoline slicer.

1 Claim, 6 Drawing Sheets



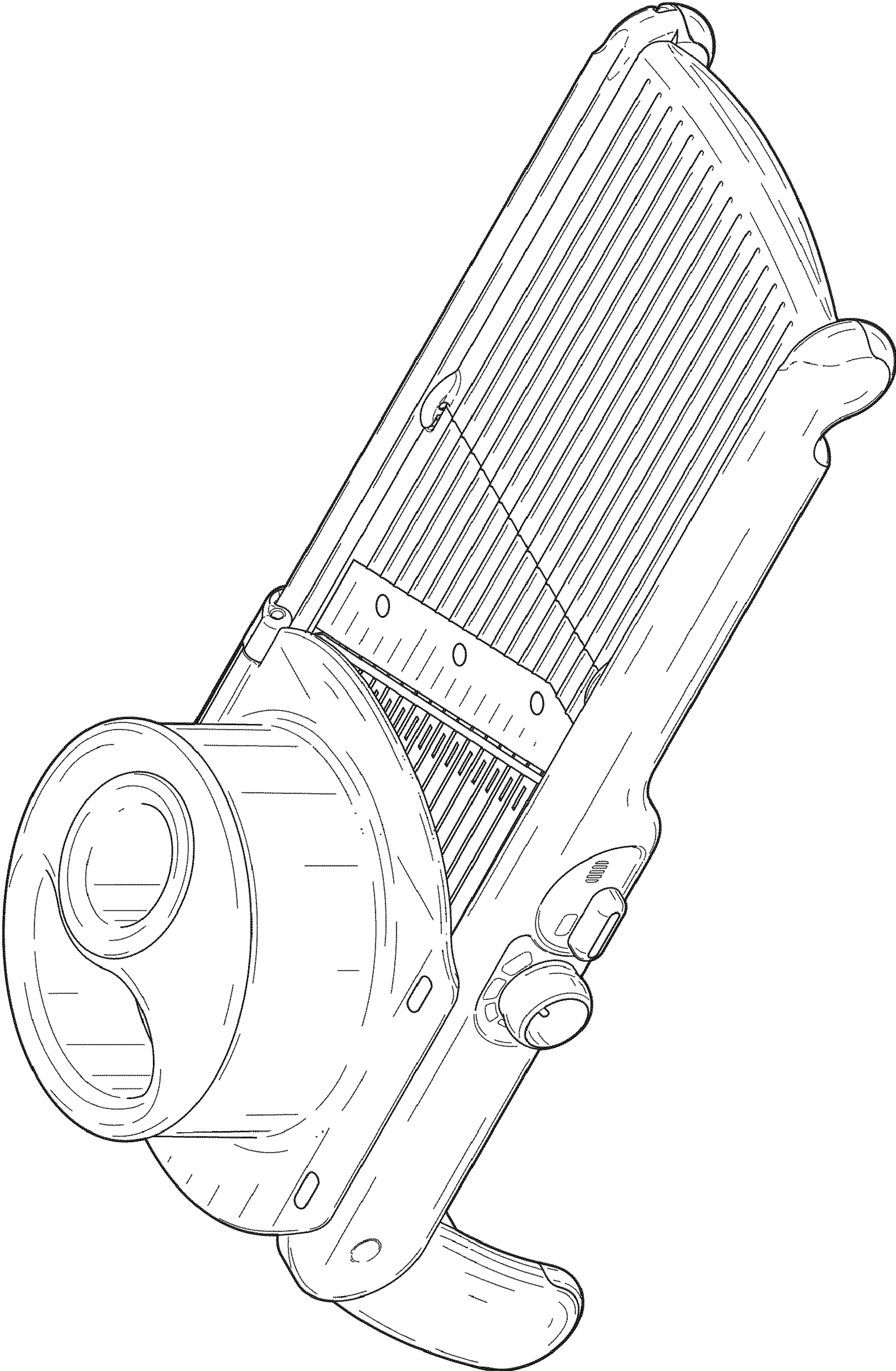


FIG.1

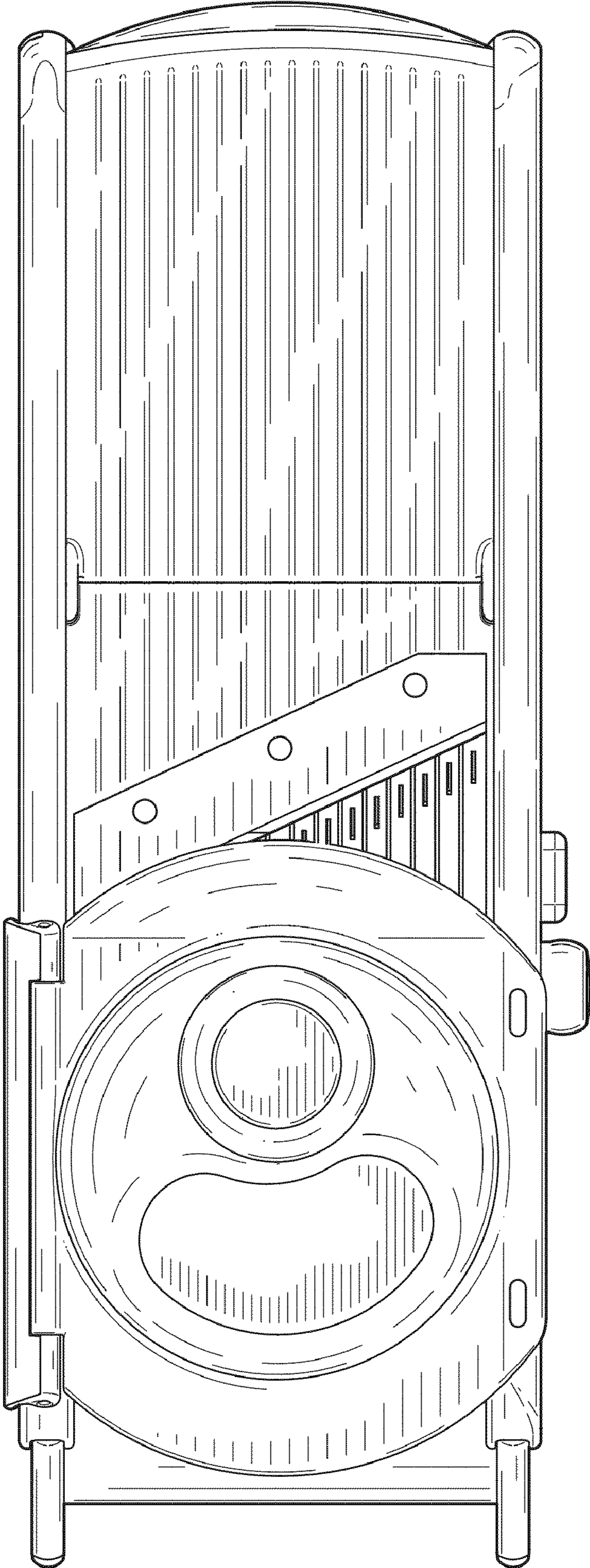


FIG. 2

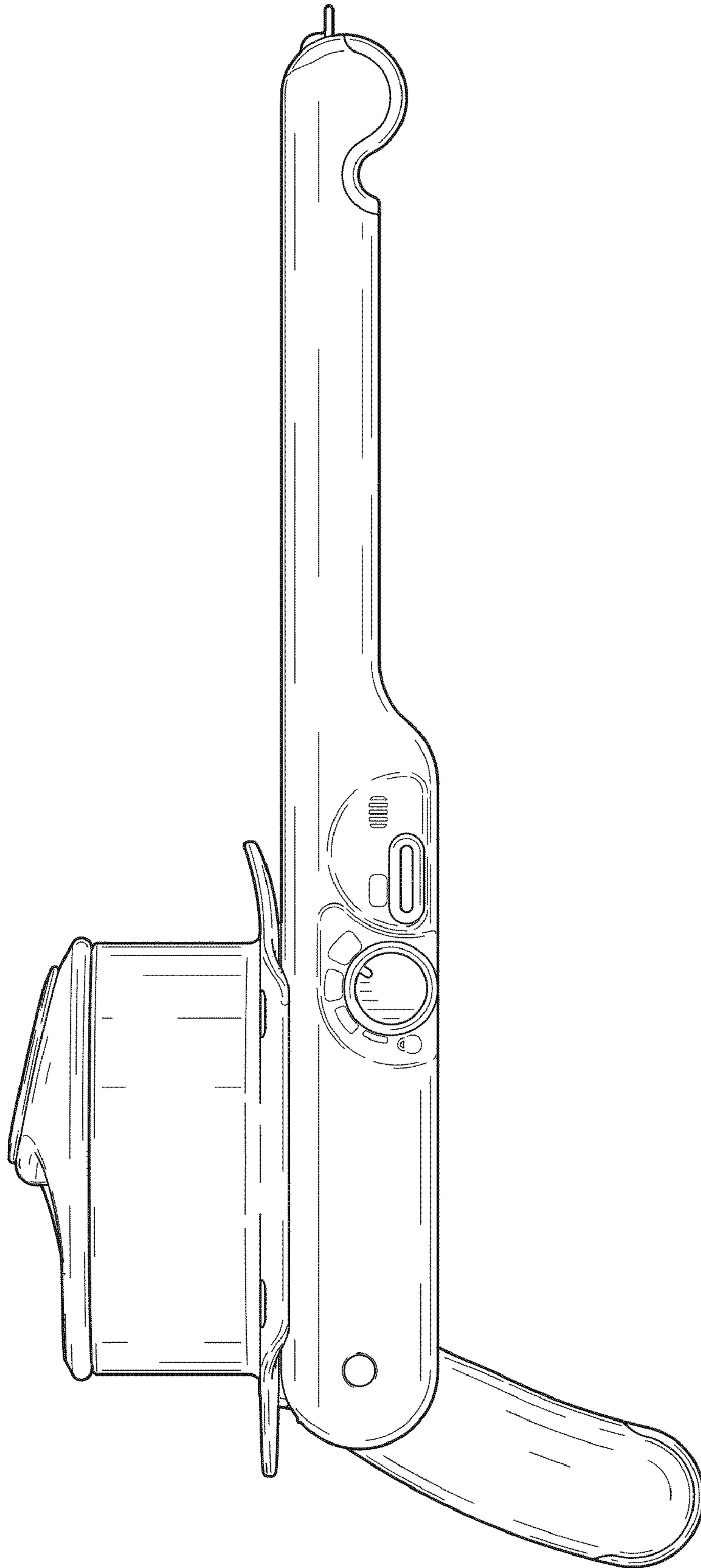


FIG. 3

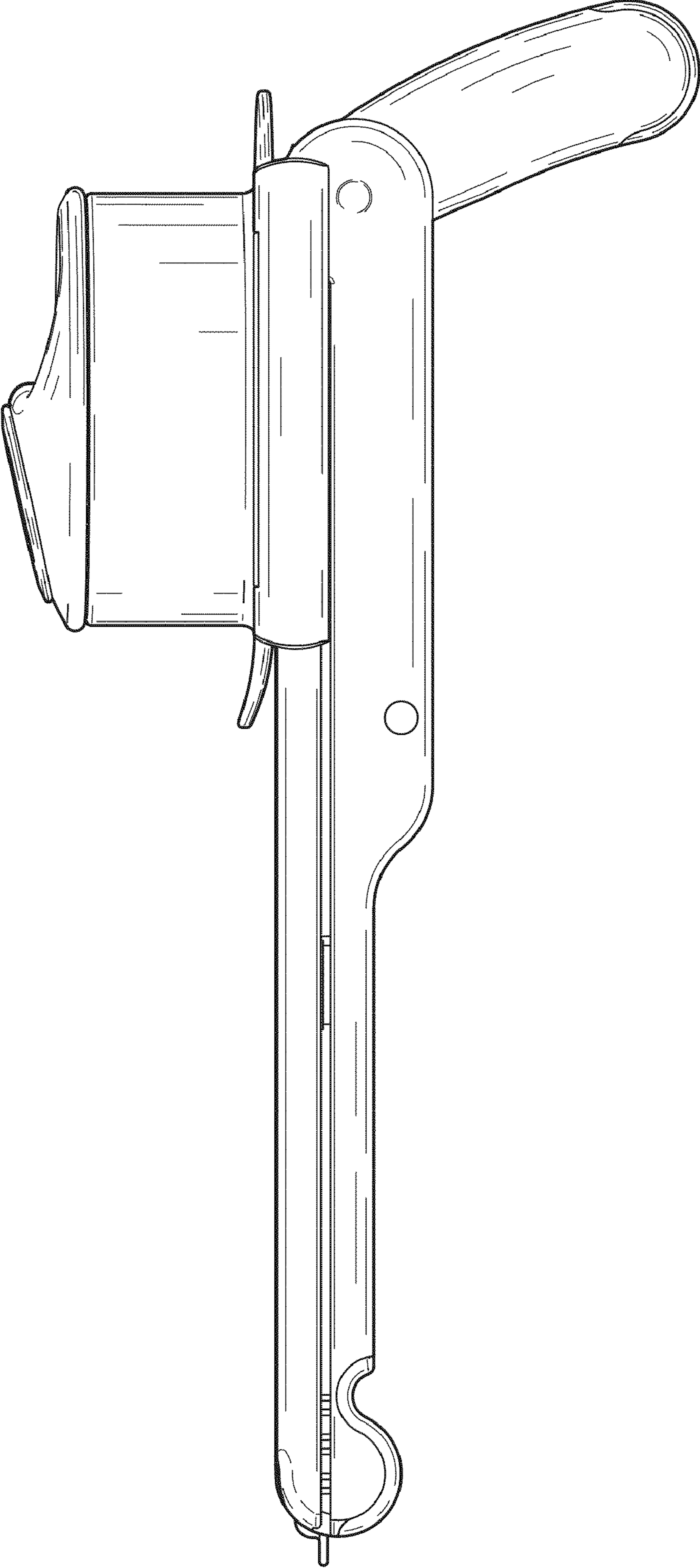


FIG.4

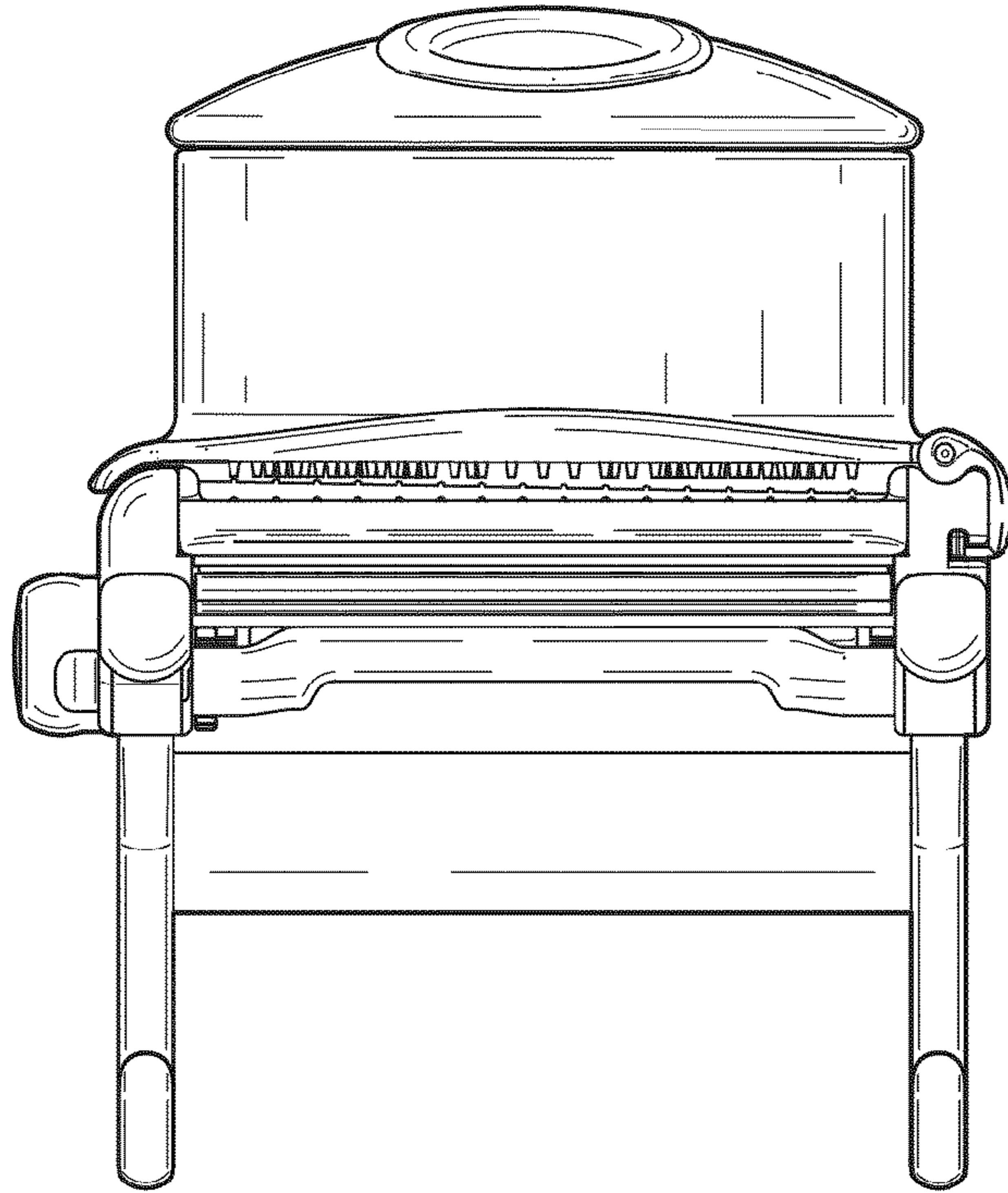


FIG. 5

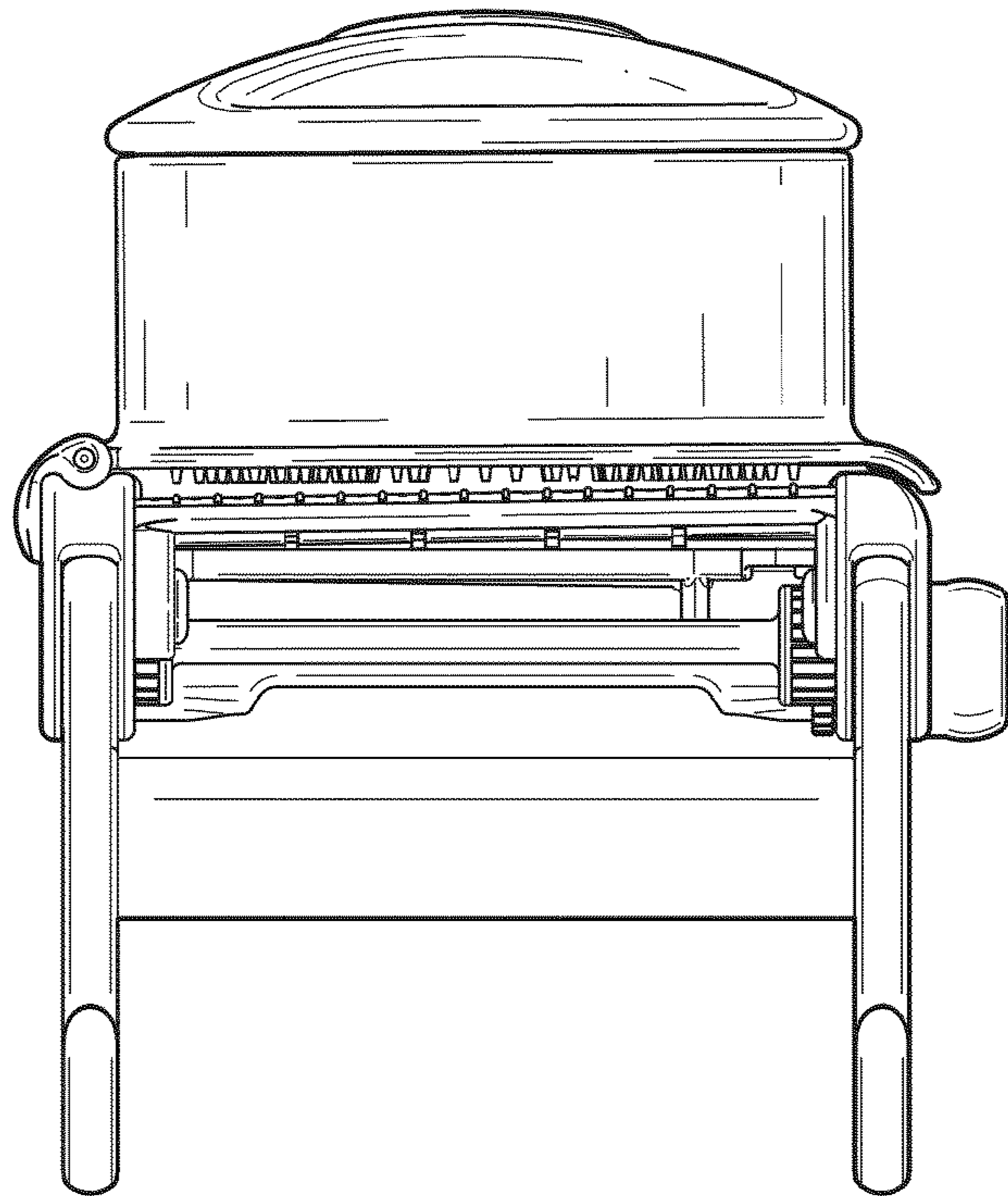


FIG. 6

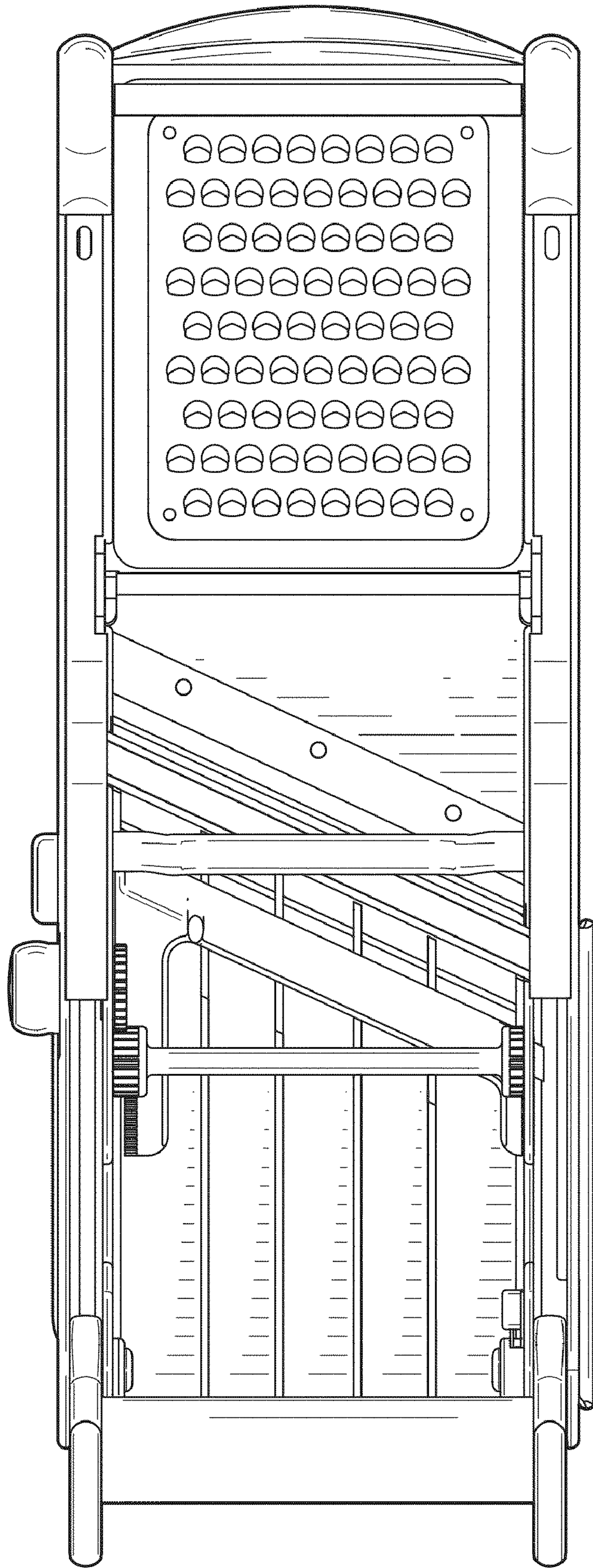


FIG. 7