



US00D651482S

(12) **United States Design Patent**  
**Kern et al.**

(10) **Patent No.:** **US D651,482 S**  
(45) **Date of Patent:** **\*\* Jan. 3, 2012**

(54) **COLANDER**

(75) Inventors: **Elizabeth C. Kern**, Minneapolis, MN (US); **Paul H. C. Genberg**, Minneapolis, MN (US); **Rachel A. Jones**, Minneapolis, MN (US)

(73) Assignee: **Target Brands, Inc.**, Minneapolis, MN (US)

(\*\*) Term: **14 Years**

(21) Appl. No.: **29/384,577**

(22) Filed: **Feb. 1, 2011**

(51) **LOC (9) Cl.** ..... **07-04**

(52) **U.S. Cl.** ..... **D7/667**

(58) **Field of Classification Search** ..... D7/667, D7/668, 584, 586, 587, 571, 582, 583; 99/495, 99/505-510; 100/113, 116, 213, 110, 127, 100/248; 210/464, 470-478, 497.1, 498

See application file for complete search history.

(56) **References Cited**

**U.S. PATENT DOCUMENTS**

D334,119 S *	3/1993	Giugiaro	.....	D7/667
D390,757 S *	2/1998	Wold et al.	.....	D7/667
D469,667 S *	2/2003	Burton	.....	D7/667
D584,111 S *	1/2009	Eide et al.	.....	D7/667
D599,627 S *	9/2009	Raia	.....	D7/667

\* cited by examiner

*Primary Examiner* — Terry Wallace

(74) *Attorney, Agent, or Firm* — Leanne Taveggia Farrell; Westman, Champlin & Kelly, P.A.

(57) **CLAIM**

The ornamental design for a colander, as shown and described.

**DESCRIPTION**

FIG. 1 is a perspective view of one embodiment of the colander.

FIG. 2 is a top view of the colander illustrated in FIG. 1.

FIG. 3 is a bottom view of the colander illustrated in FIG. 1.

FIG. 4 is a front view of the colander illustrated in FIG. 1.

FIG. 5 is a back view of the colander illustrated in FIG. 1.

FIG. 6 is a right side view of the colander illustrated in FIG. 1.

FIG. 7 is a left side view of the colander illustrated in FIG. 1.

FIG. 8 is a perspective view of a second embodiment of the colander.

FIG. 9 is a top view of the colander illustrated in FIG. 8.

FIG. 10 is a bottom view of the colander illustrated in FIG. 8.

FIG. 11 is a front view of the colander illustrated in FIG. 8.

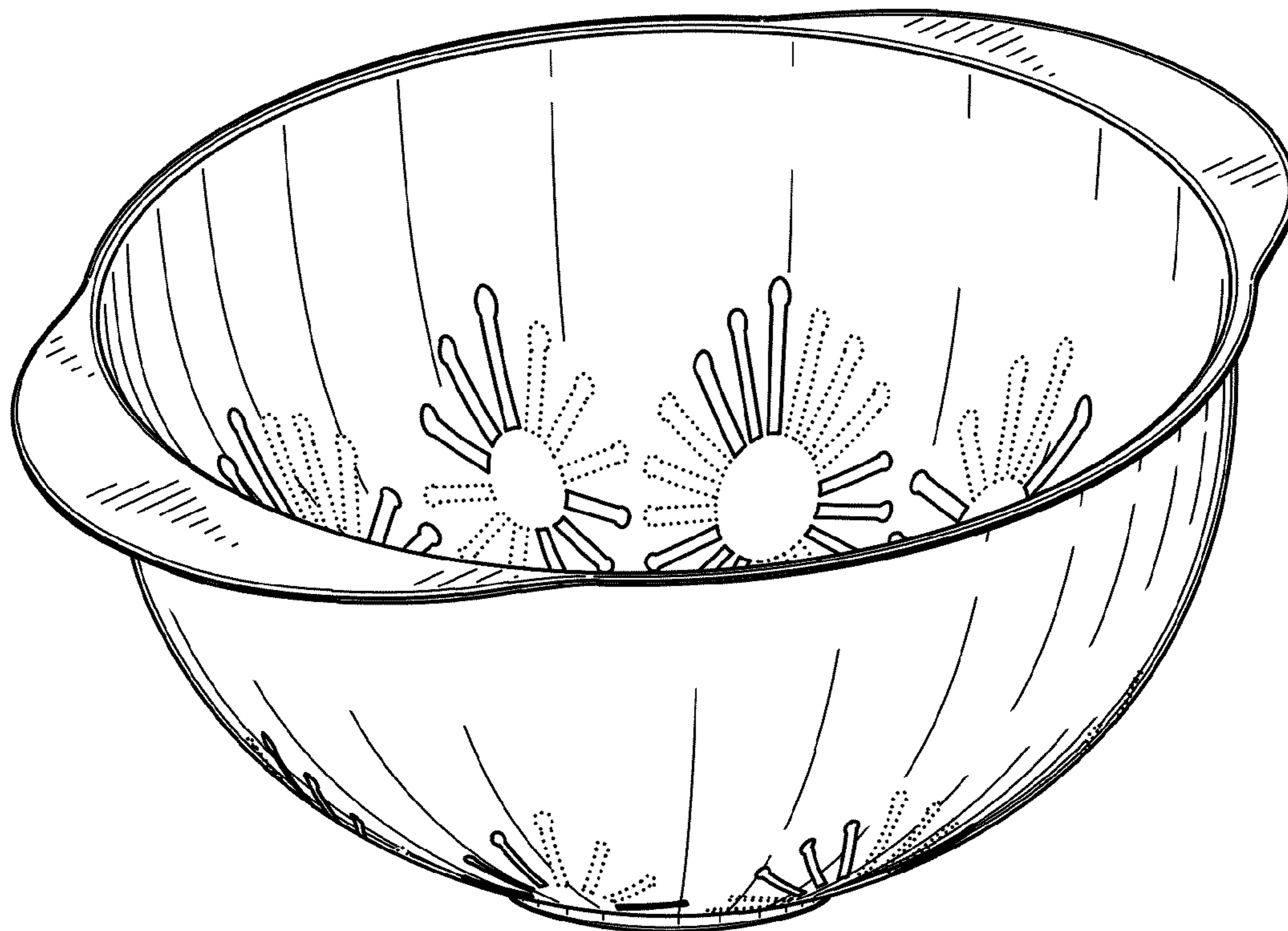
FIG. 12 is a back view of the colander illustrated in FIG. 8.

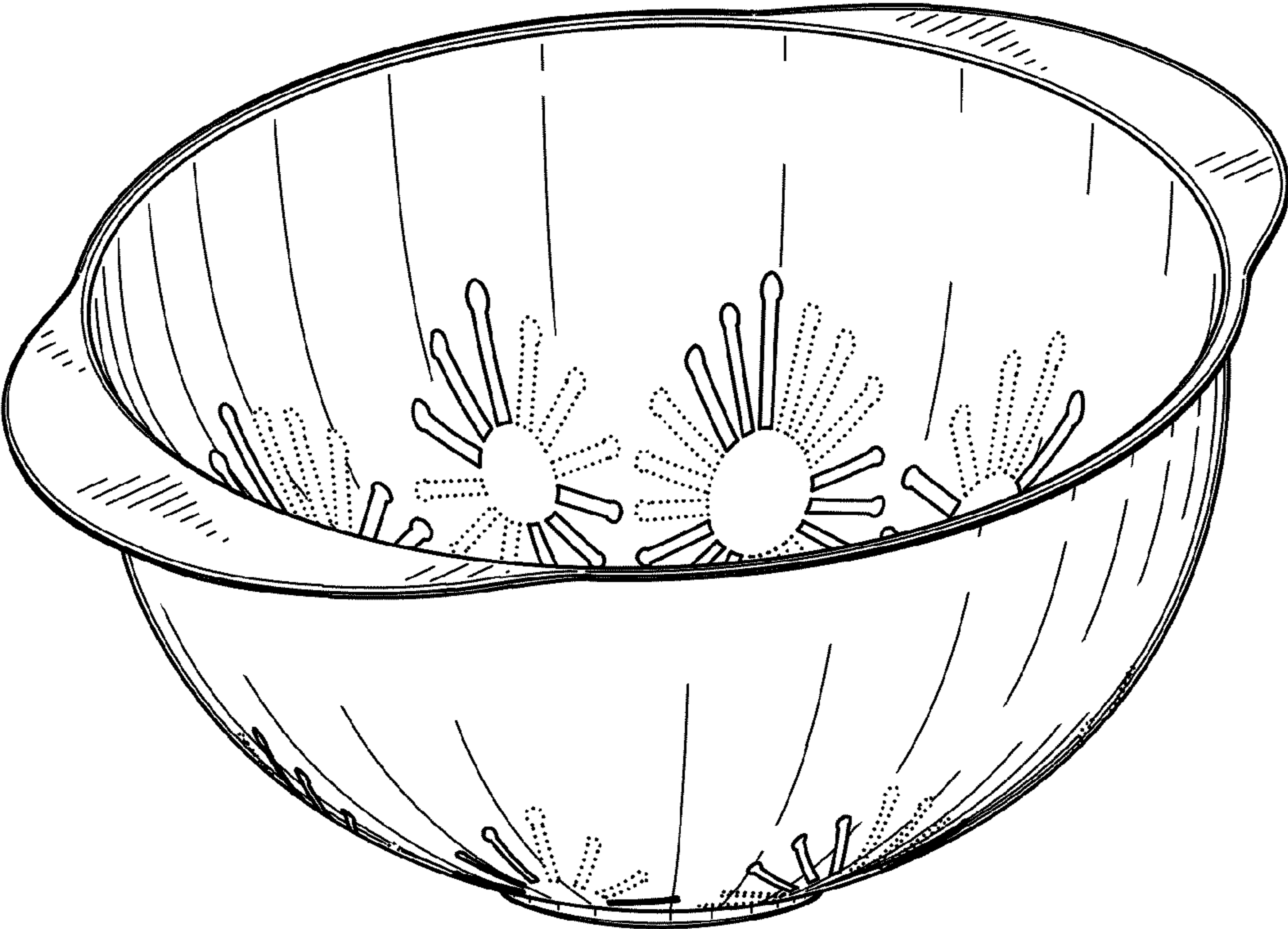
FIG. 13 is a right side view of the colander illustrated in FIG. 8; and,

FIG. 14 is a left side view of the colander illustrated in FIG. 8.

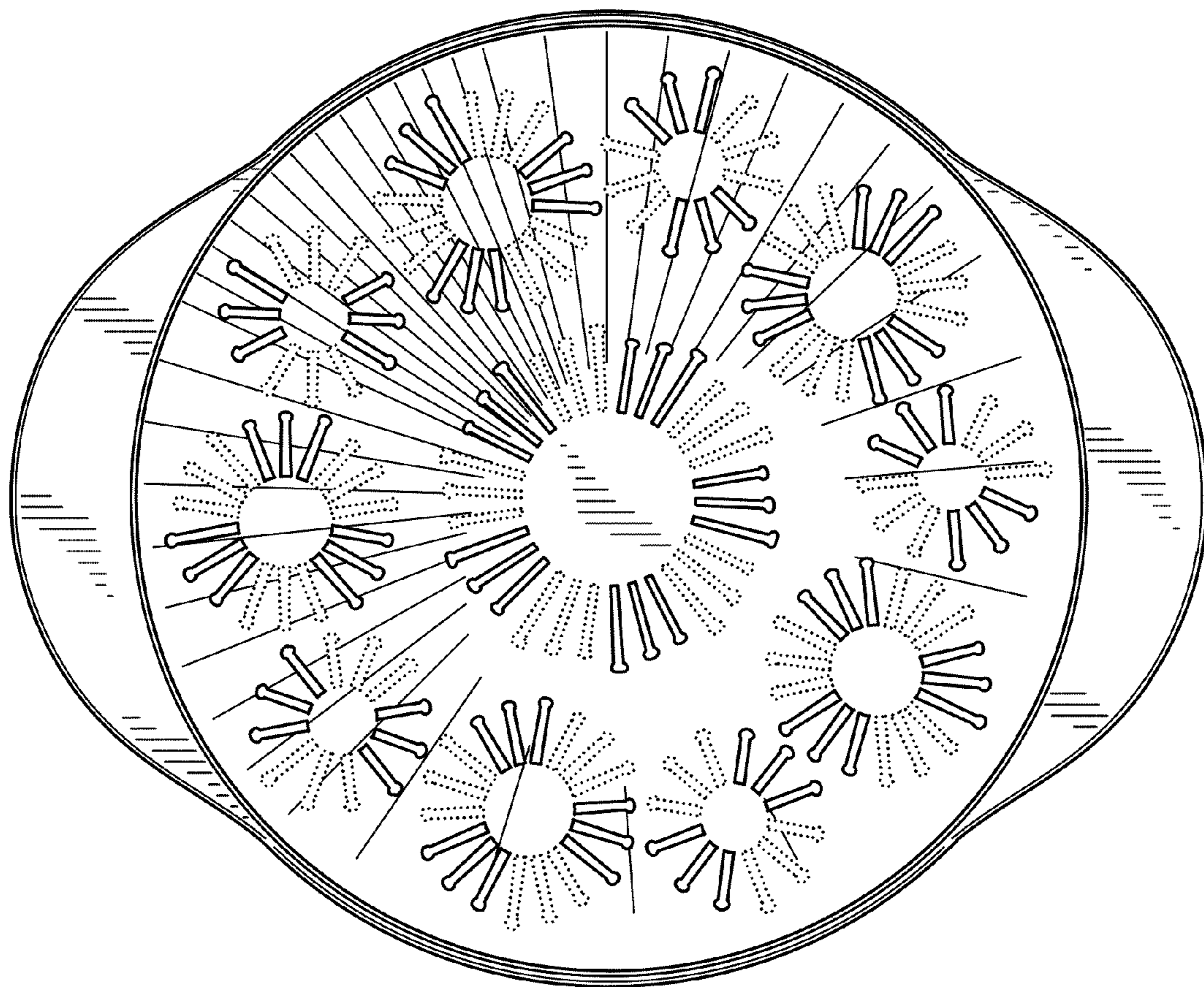
The broken lines in FIGS. 1-7 form no part of the claimed design.

**1 Claim, 14 Drawing Sheets**

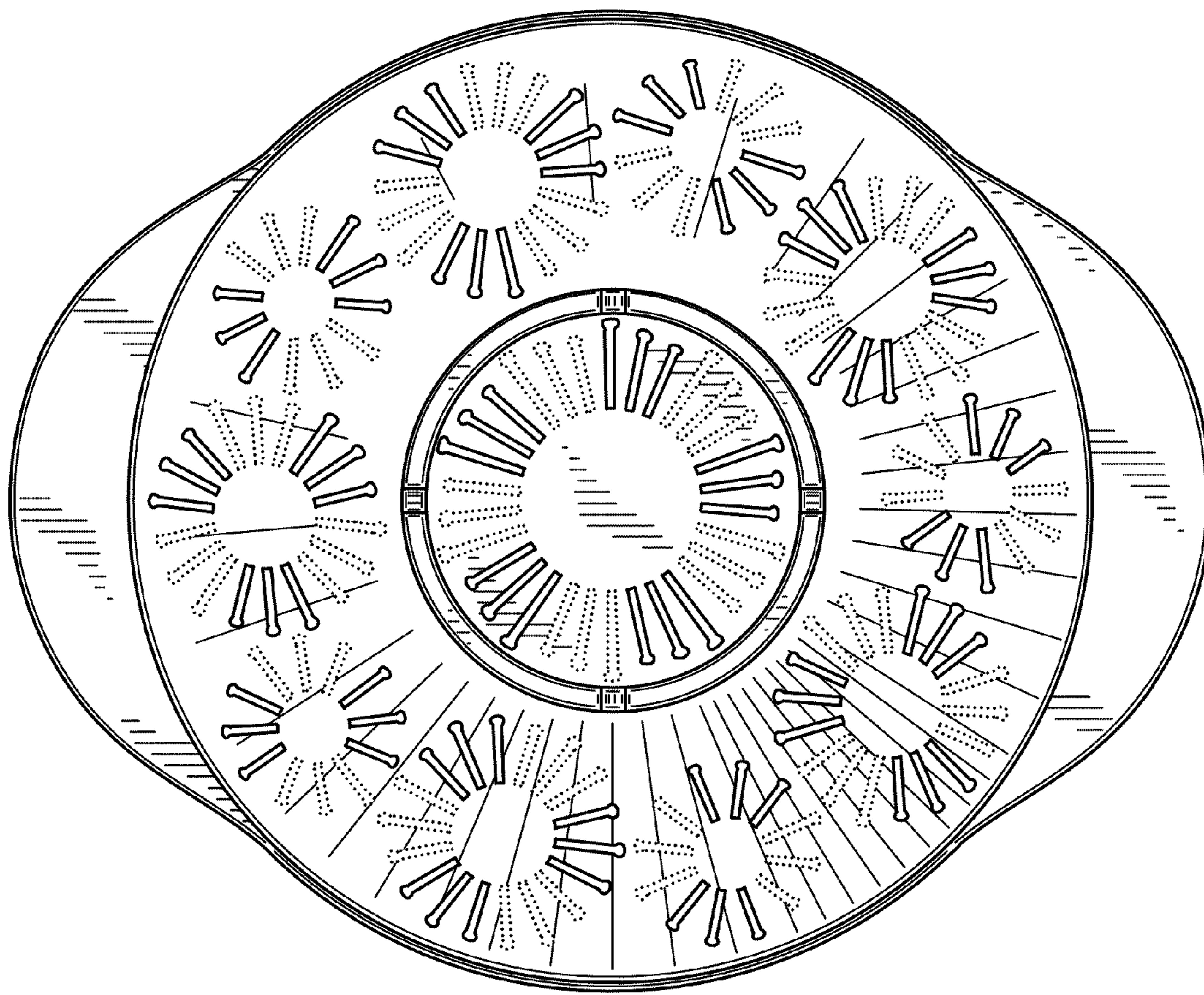




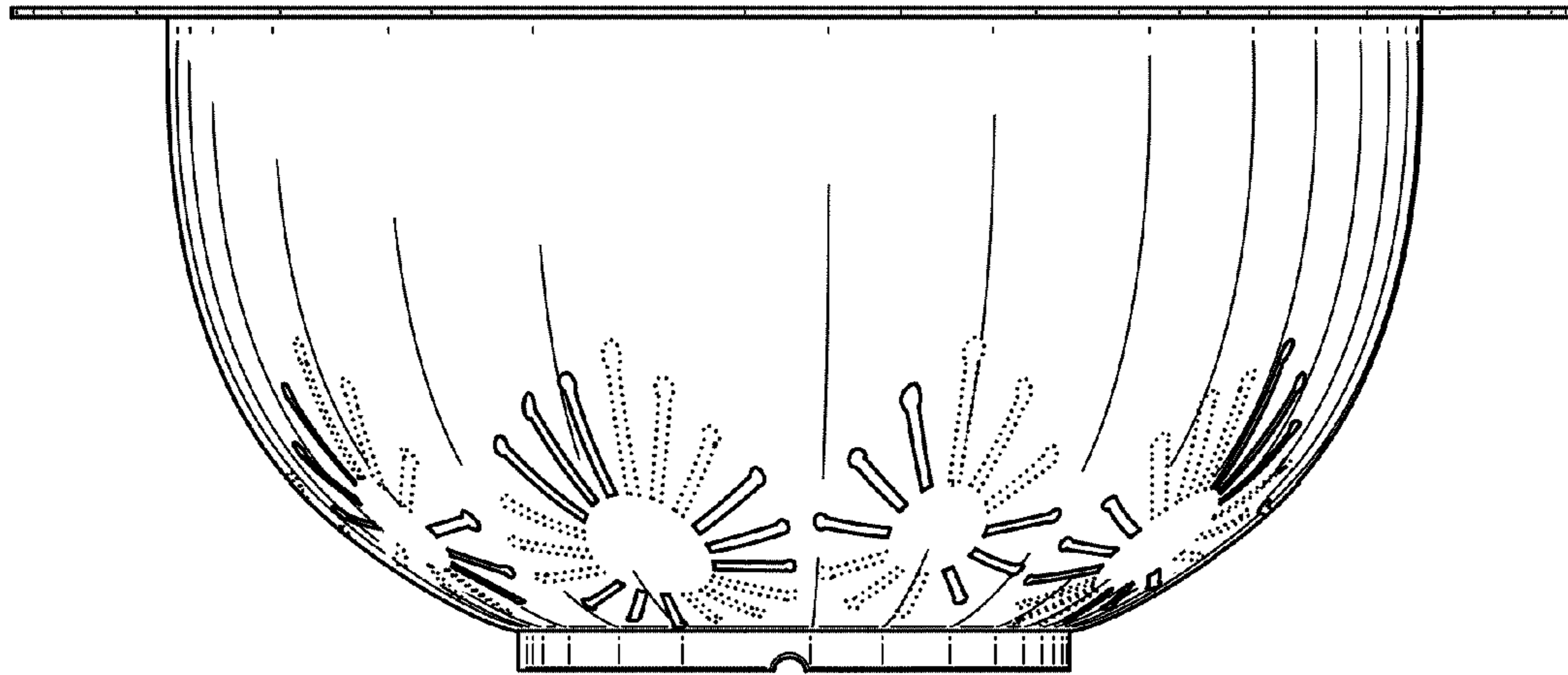
*Fig. 1*



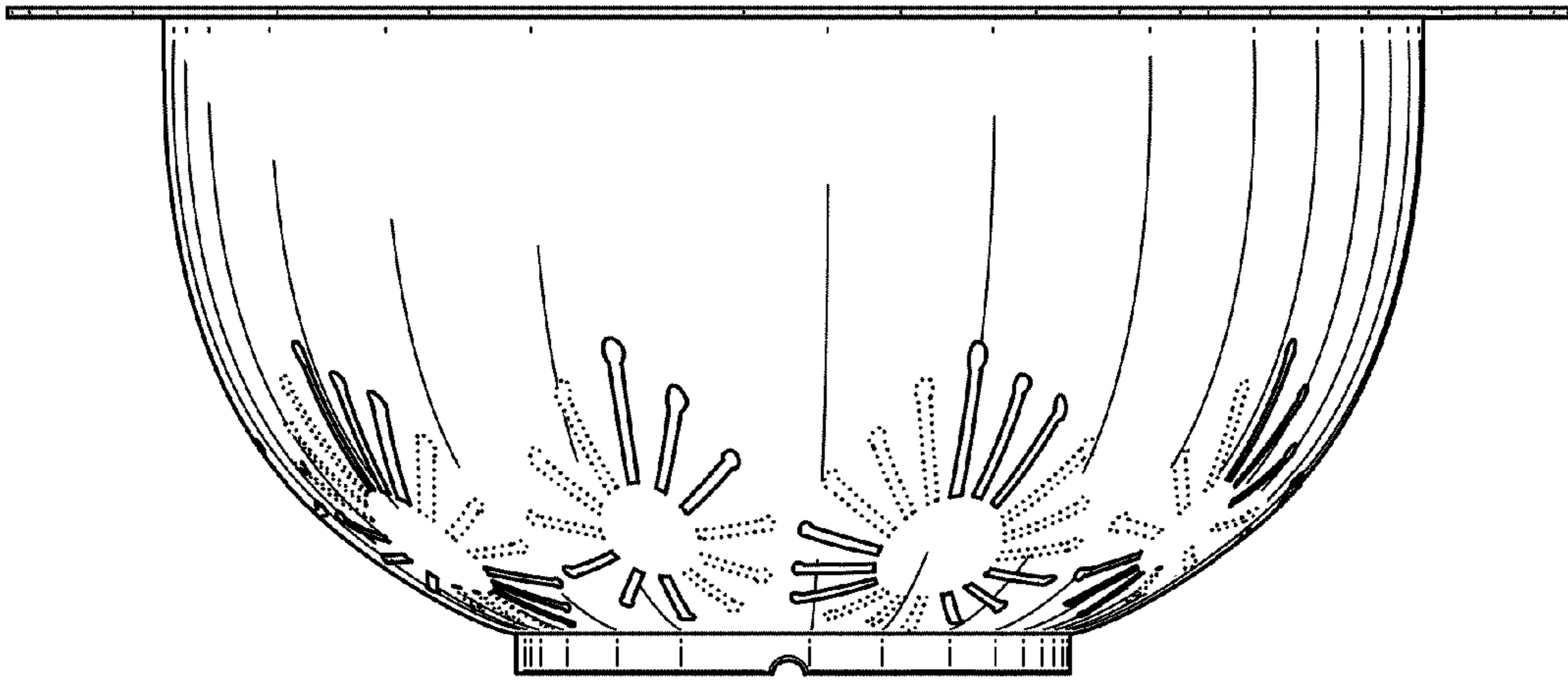
*Fig. 2*



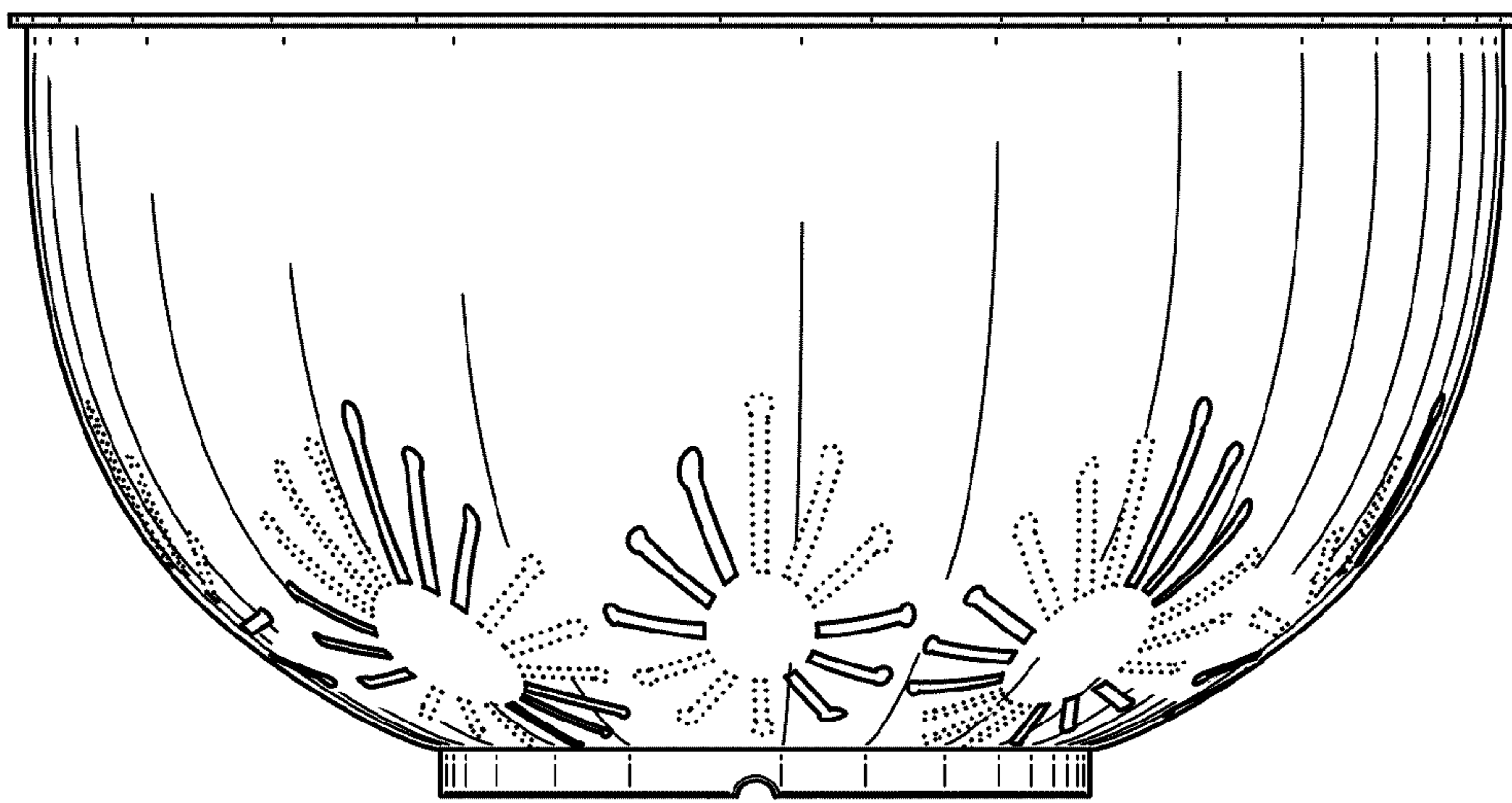
*Fig. 3*



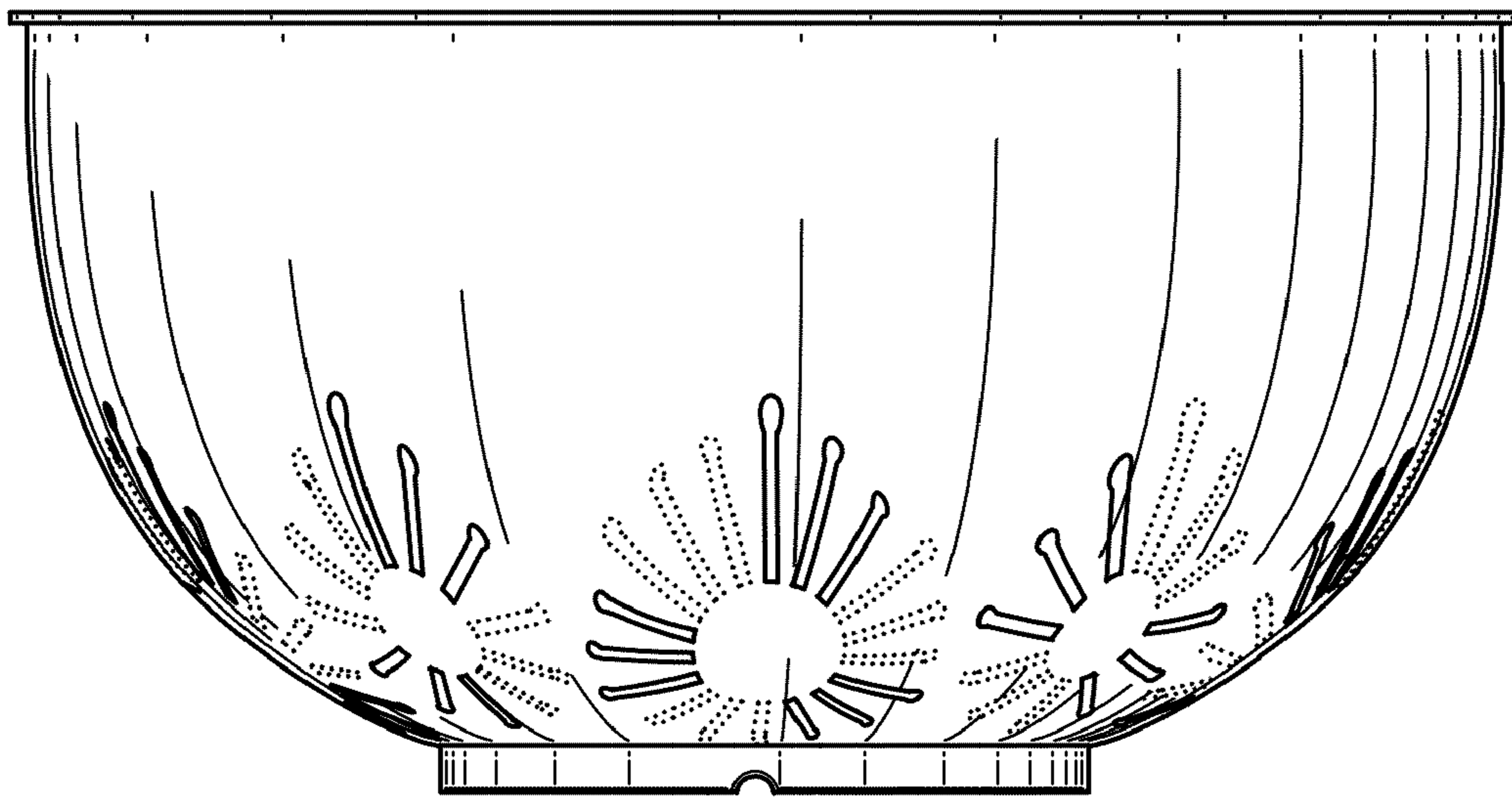
*Fig. 4*



*Fig. 5*

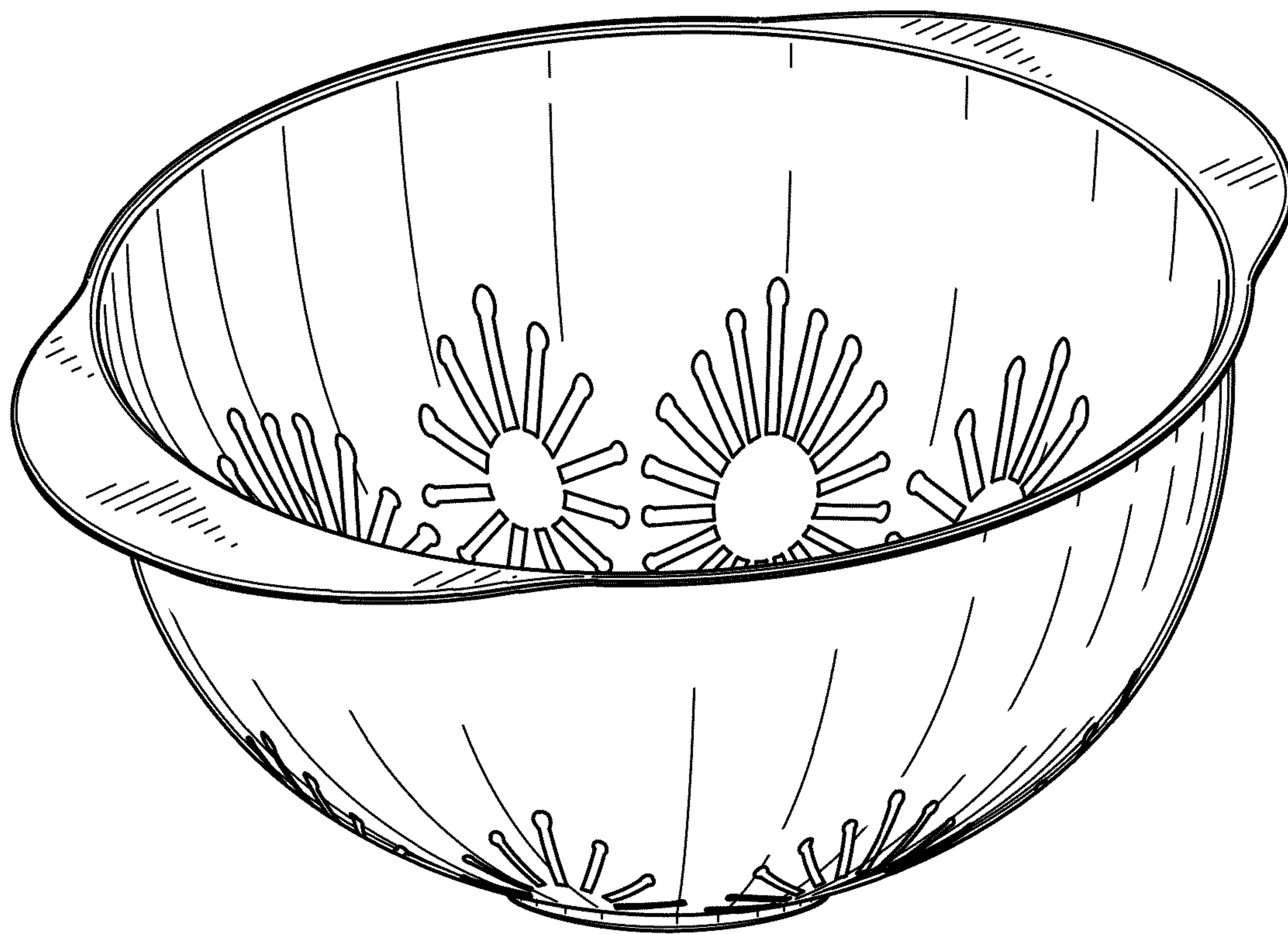


*Fig. 6*

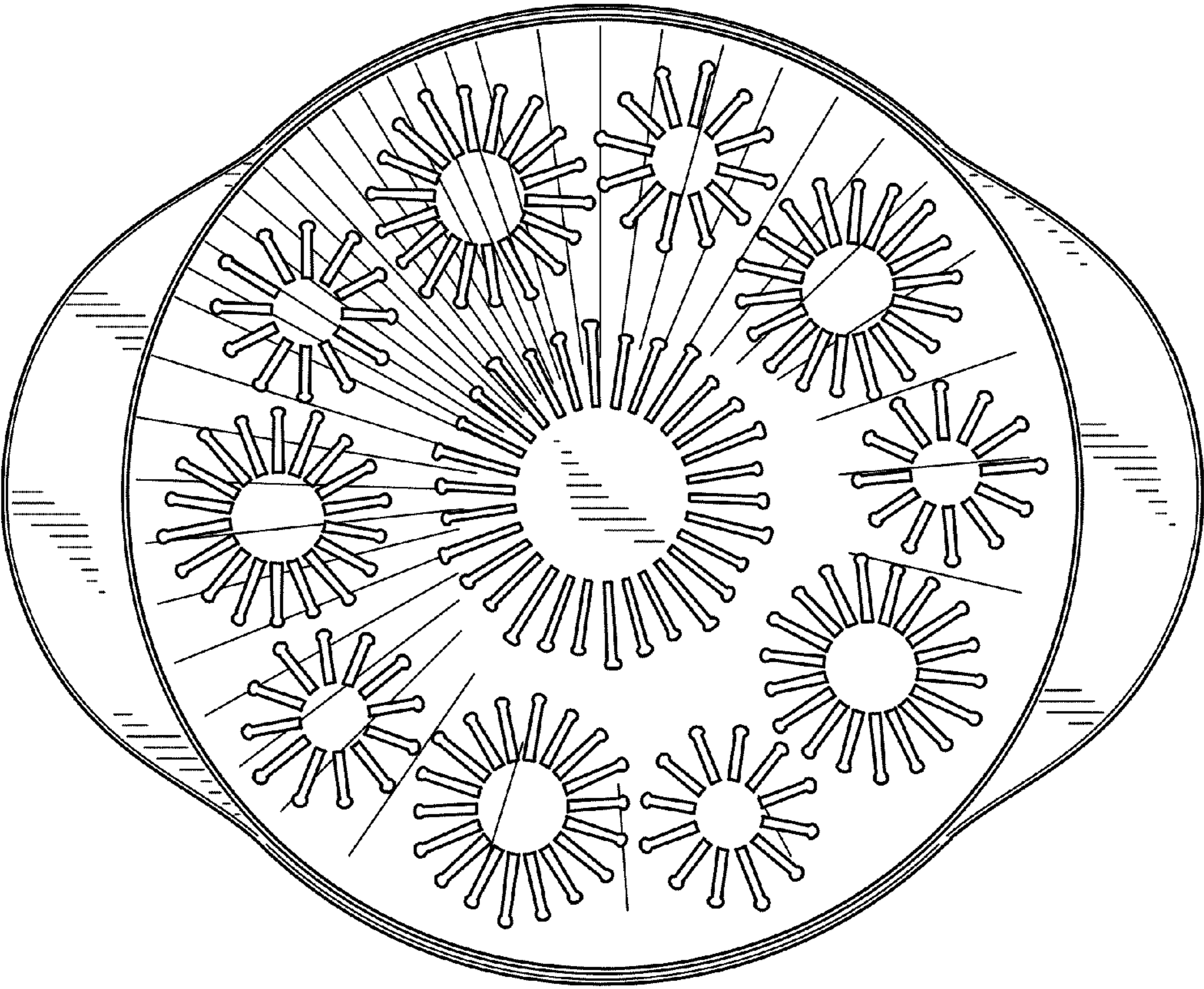


*Fig. 7*

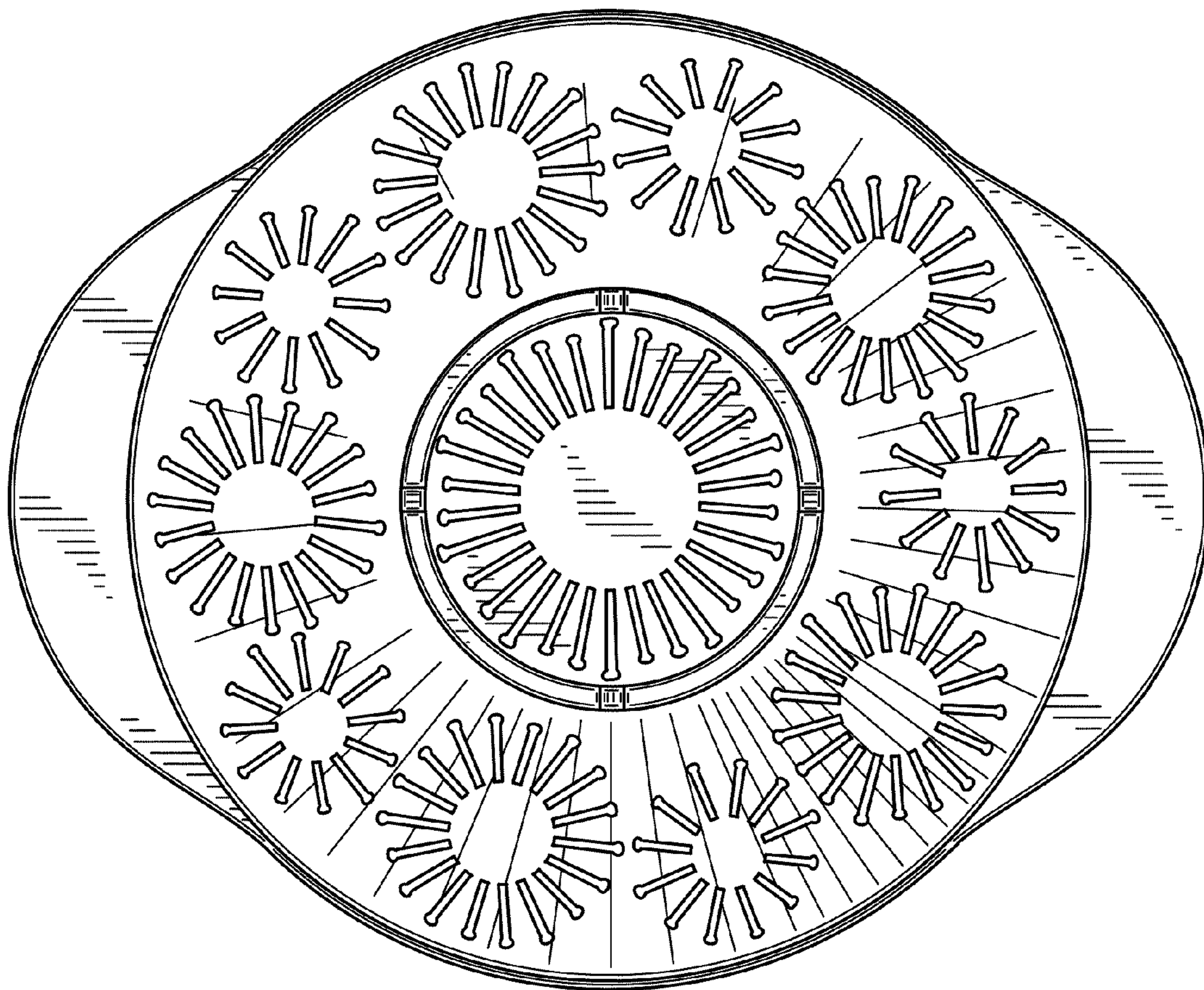




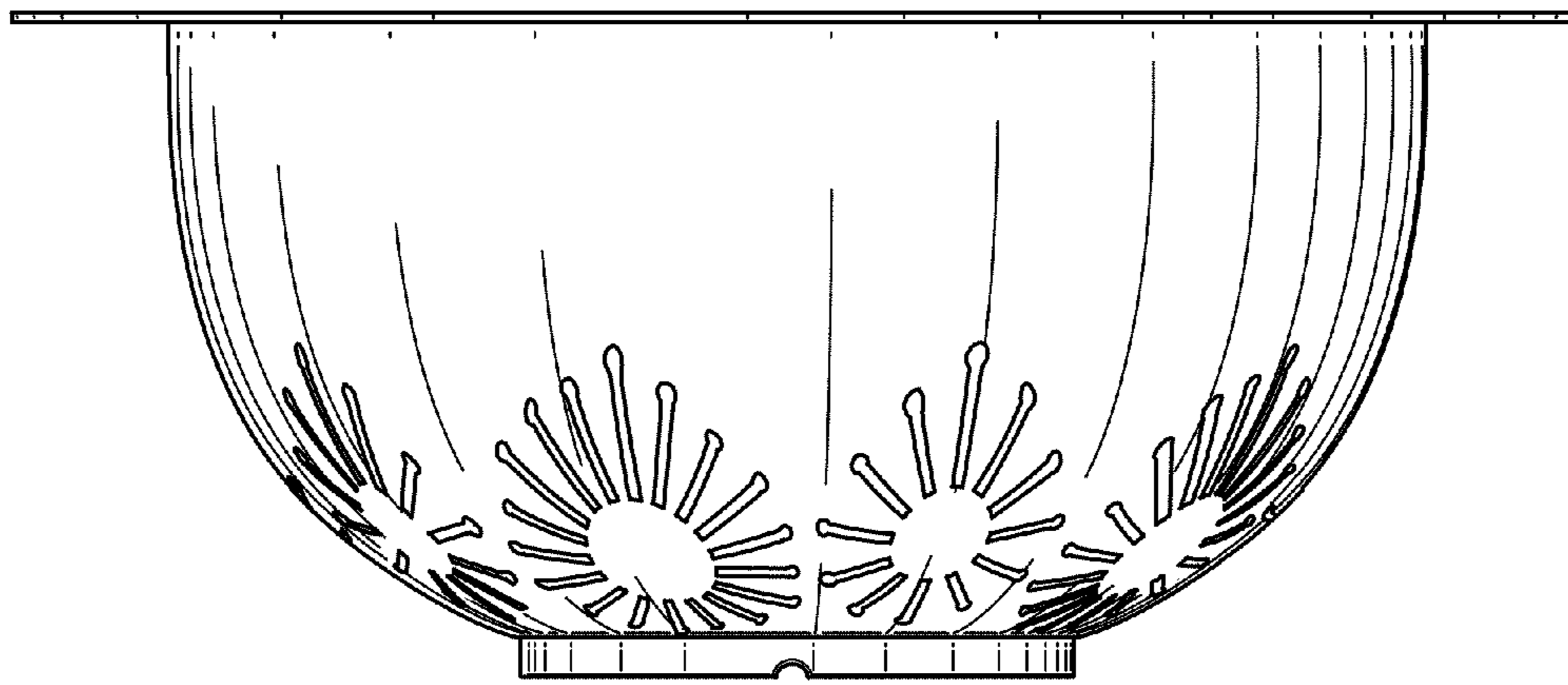
*Fig. 8*



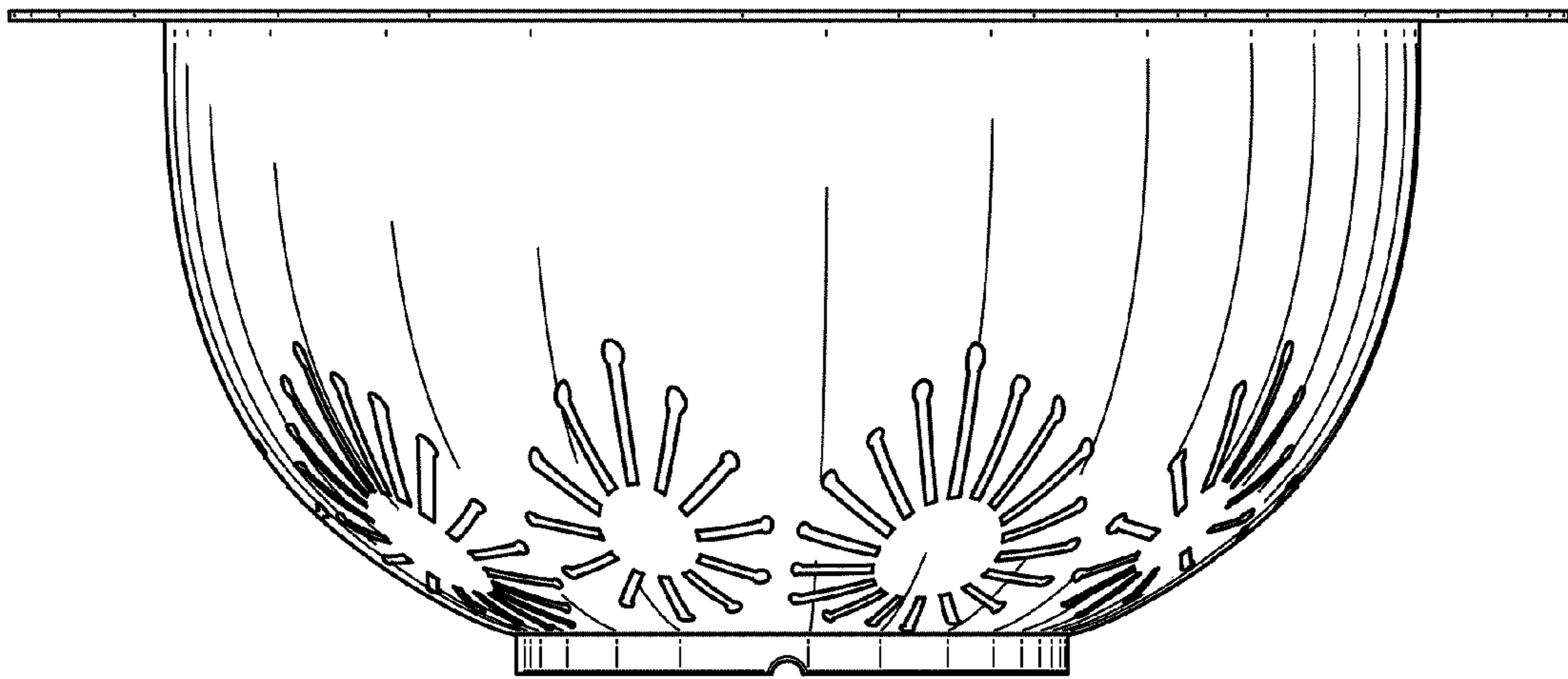
*Fig. 9*



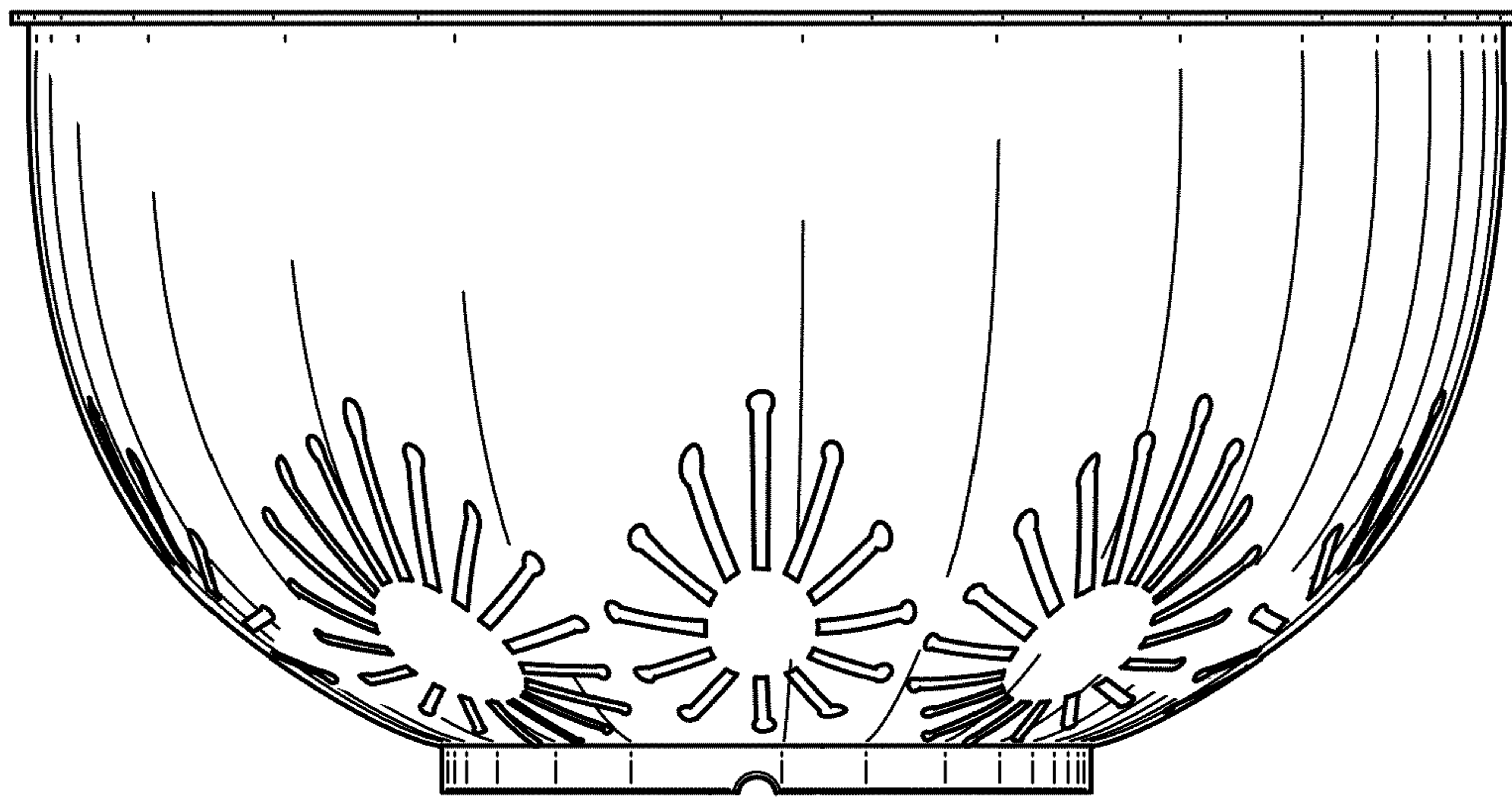
*Fig. 10*



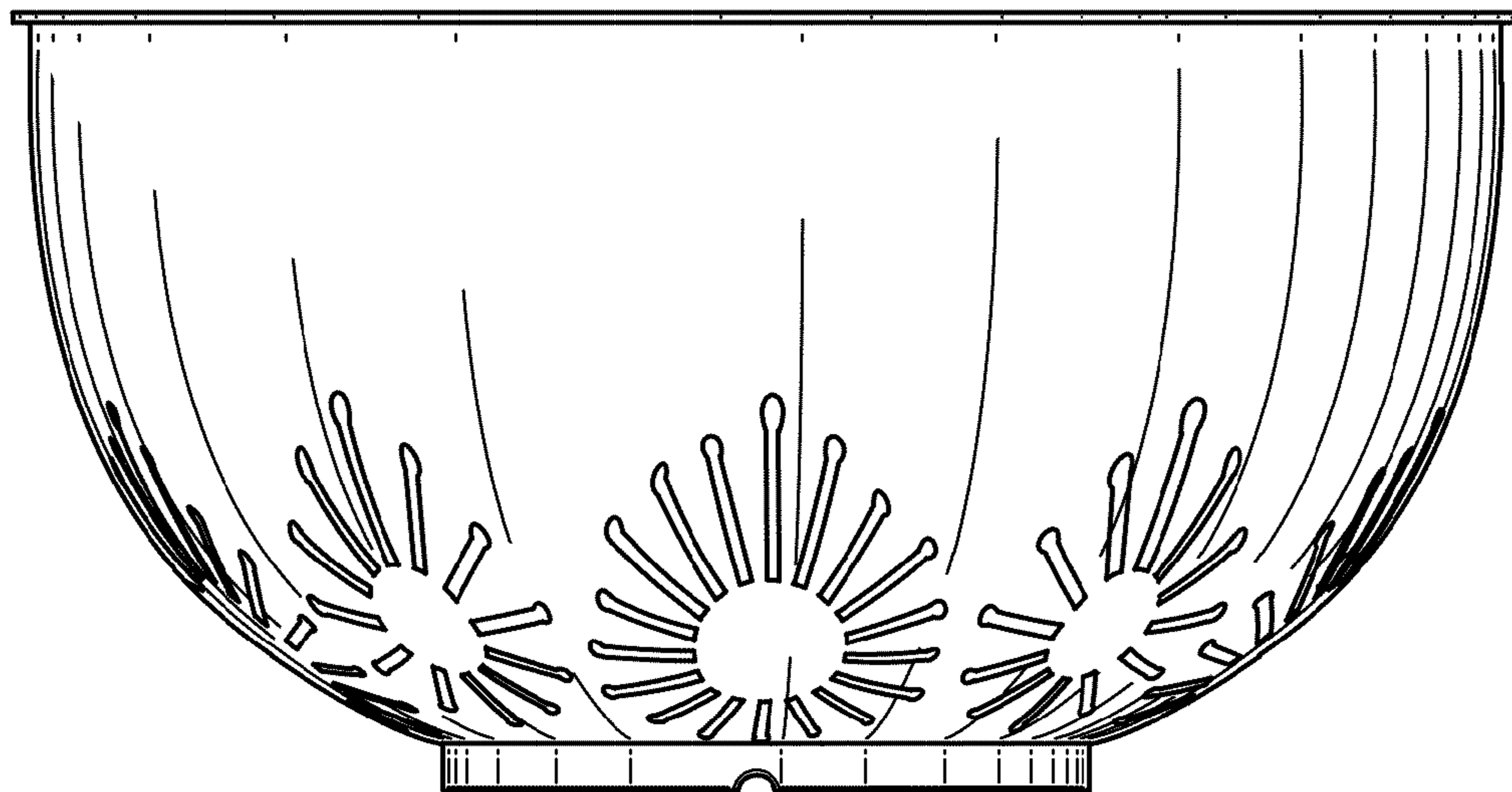
*Fig. 11*



*Fig. 12*



*Fig. 13*



*Fig. 14*