



US00D651478S

(12) **United States Design Patent**  
**Nie**

(10) **Patent No.:** **US D651,478 S**  
(45) **Date of Patent:** **\*\* Jan. 3, 2012**

(54) **FOOD STORAGE CONTAINER**  
(75) Inventor: **Huayao Nie**, Guangdong Province (CN)  
(73) Assignee: **Jiangmen City Xinhui Henglong Plastic Ltd.**, Guangdong Province (CN)  
(\*\*) Term: **14 Years**

D491,024 S \* 6/2004 Welsh ..... D7/629  
D506,106 S \* 6/2005 Ordiway et al. .... D7/629  
D523,296 S \* 6/2006 Kim ..... D7/629  
D575,115 S \* 8/2008 Zimmerman ..... D7/629  
D606,813 S \* 12/2009 Kim ..... D7/629

\* cited by examiner

*Primary Examiner* — Terry Wallace

(21) Appl. No.: **29/386,610**  
(22) Filed: **Mar. 3, 2011**

(51) **LOC (9) Cl.** ..... **07-07**  
(52) **U.S. Cl.** ..... **D7/629**  
(58) **Field of Classification Search** ..... D7/602,  
D7/629, 630, 538-542, 612-615, 584, 586,  
D7/587; D3/273; 220/669-673, 675, 574-575,  
220/573.1, 660, 236, 326, 780-806  
See application file for complete search history.

(57) **CLAIM**  
The ornamental design for a food storage container, as shown.

**DESCRIPTION**

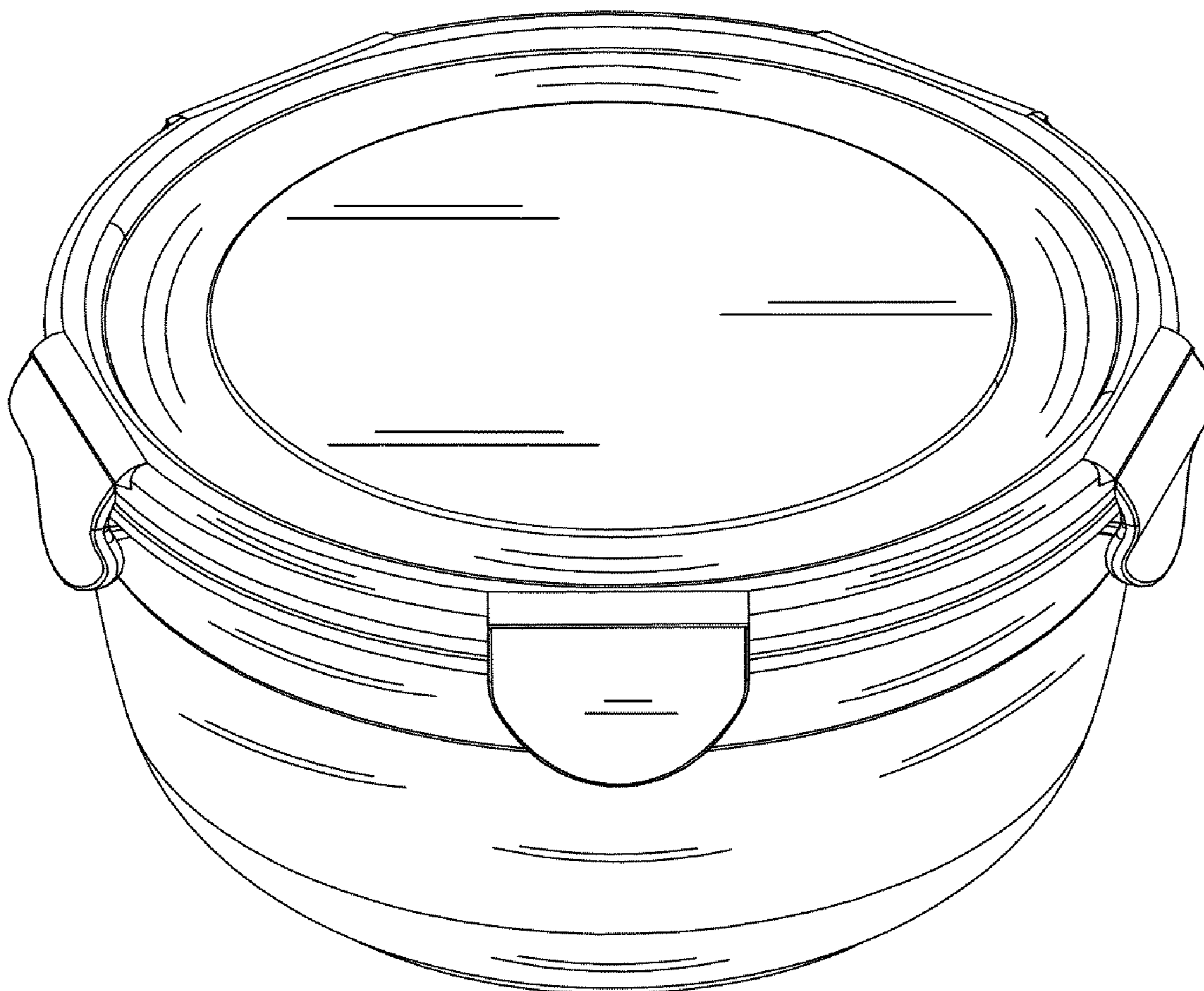
FIG. 1 is a top plan view of a food storage container showing my new design.  
FIG. 2 is a bottom plan view thereof.  
FIG. 3 is a left side view thereof.  
FIG. 4 is a right side view thereof.  
FIG. 5 is a rear elevation view thereof.  
FIG. 6 is a front elevation view thereof; and,  
FIG. 7 is a perspective view thereof.

(56) **References Cited**

**U.S. PATENT DOCUMENTS**

6,415,947 B1 \* 7/2002 Kim ..... 220/788  
D488,031 S \* 4/2004 Kim ..... D7/629

**1 Claim, 4 Drawing Sheets**



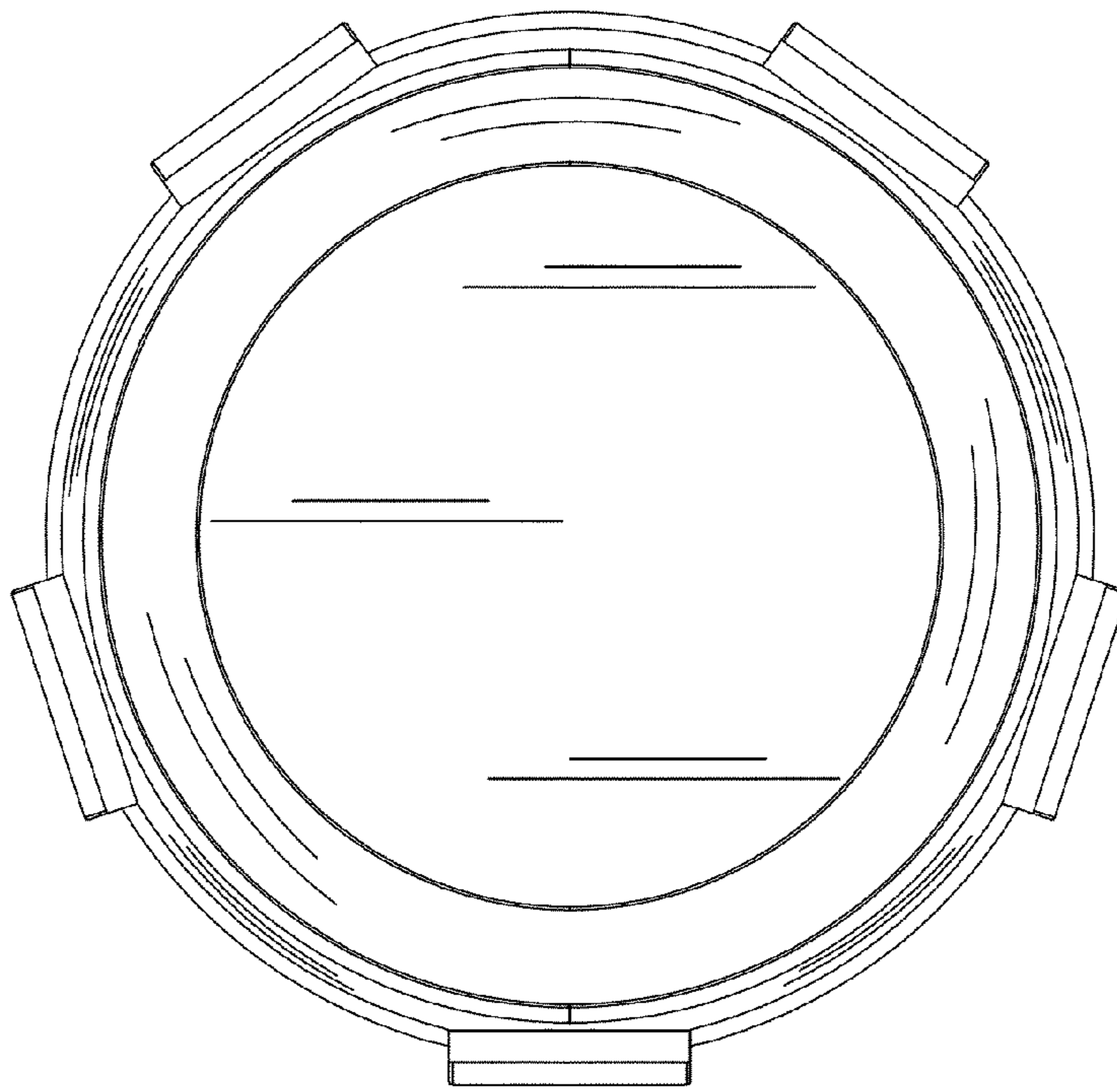


FIG. 1

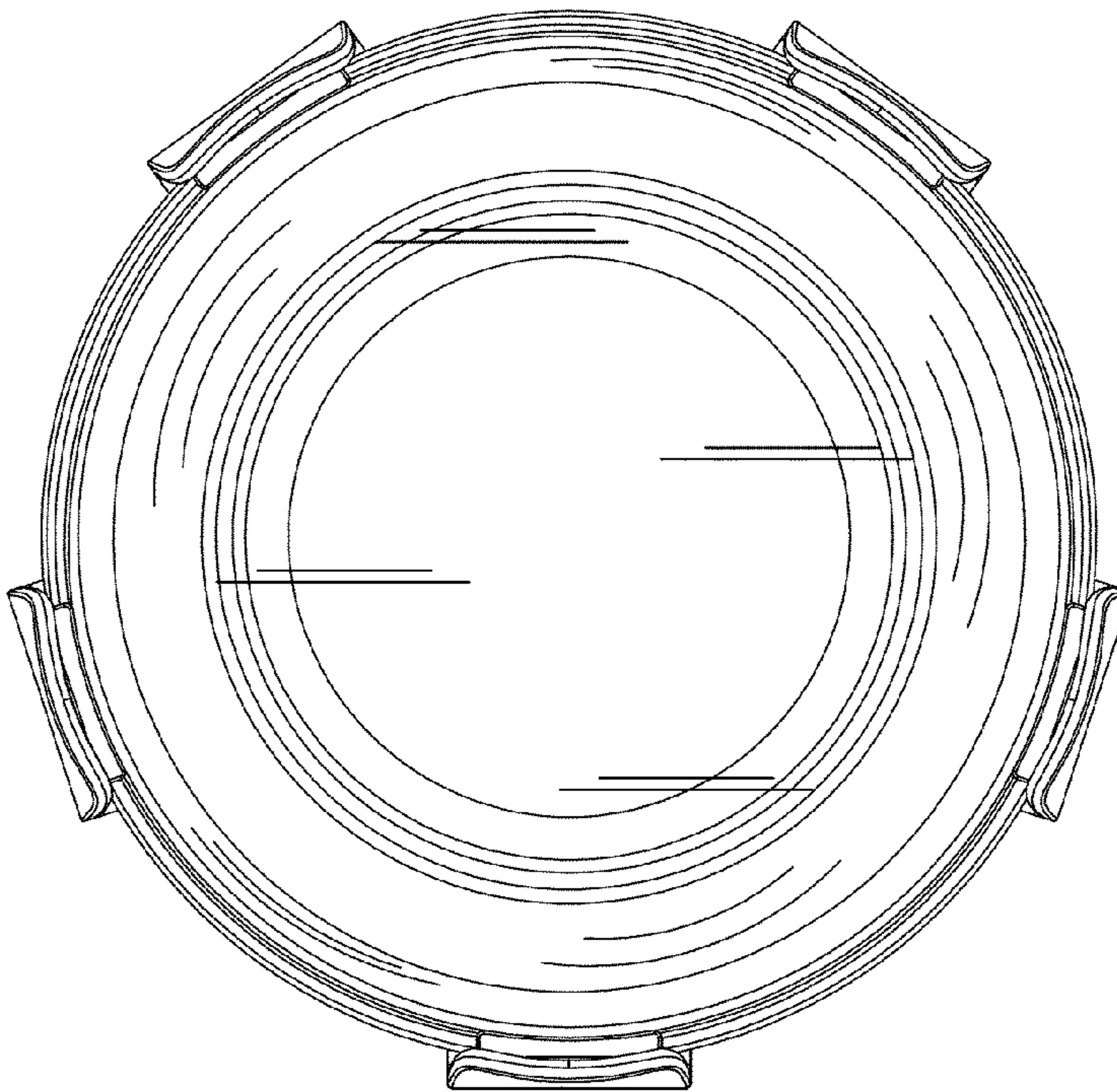


FIG. 2

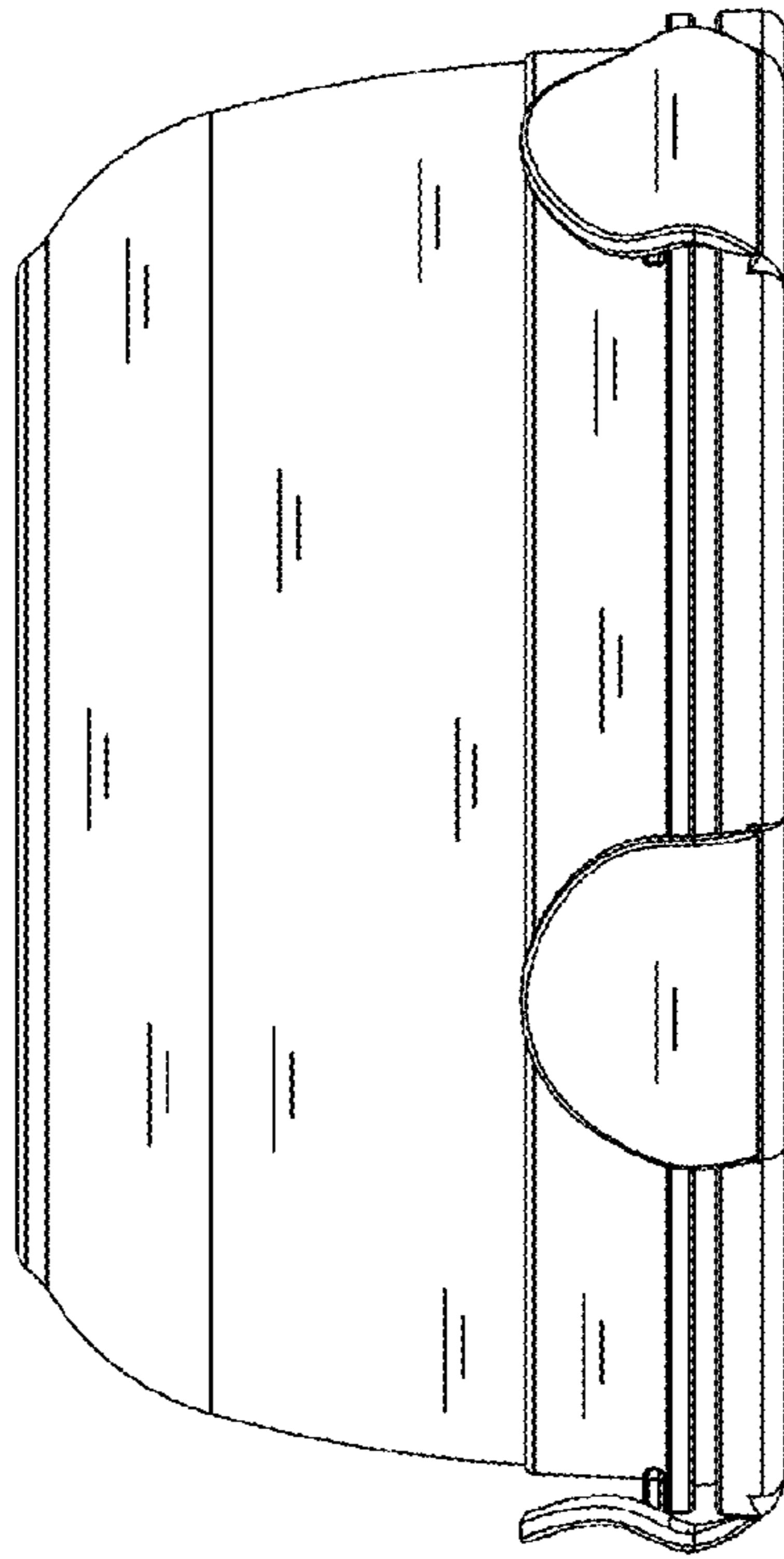


FIG. 3

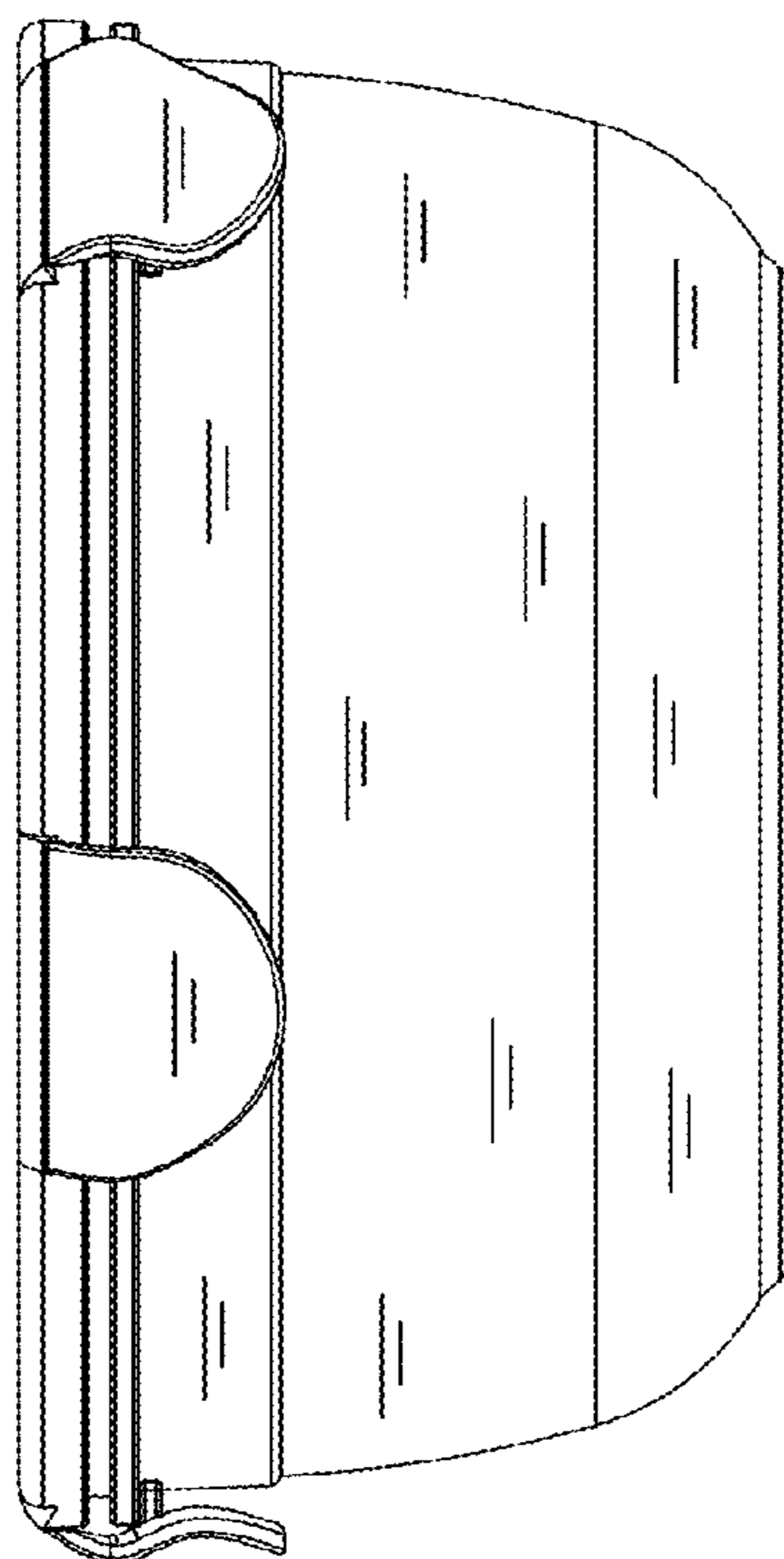


FIG. 4

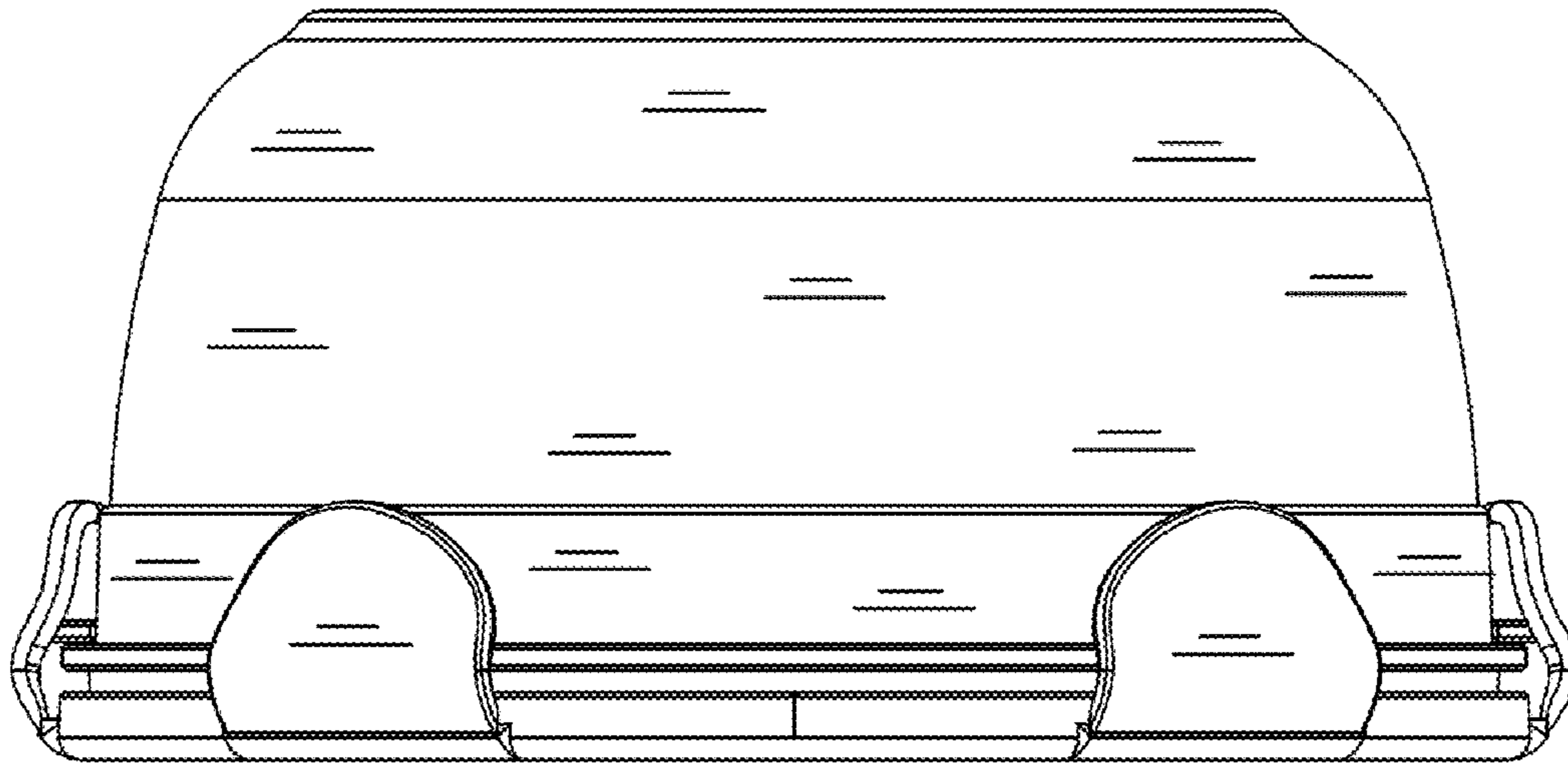


FIG. 5

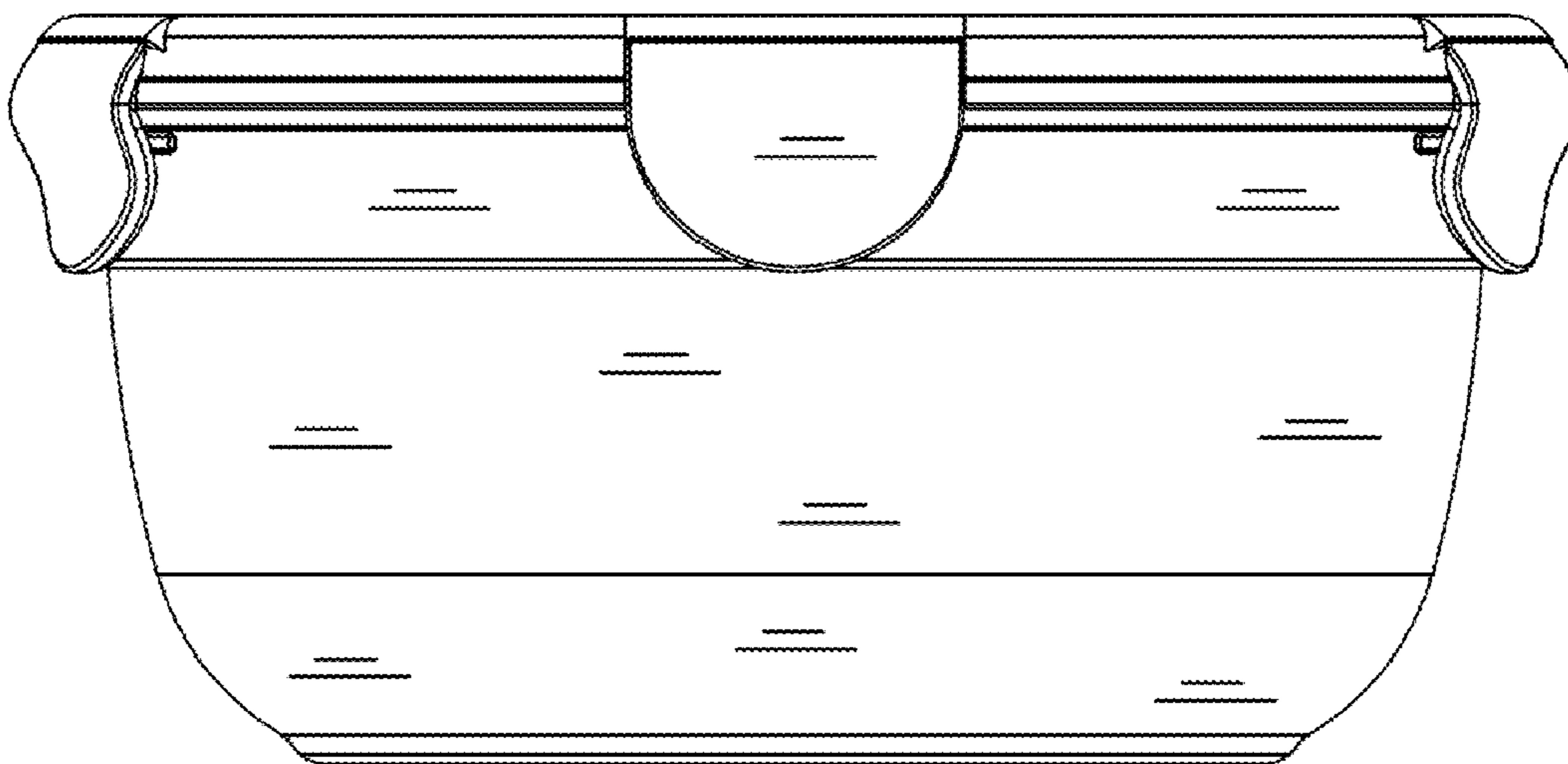


FIG. 6

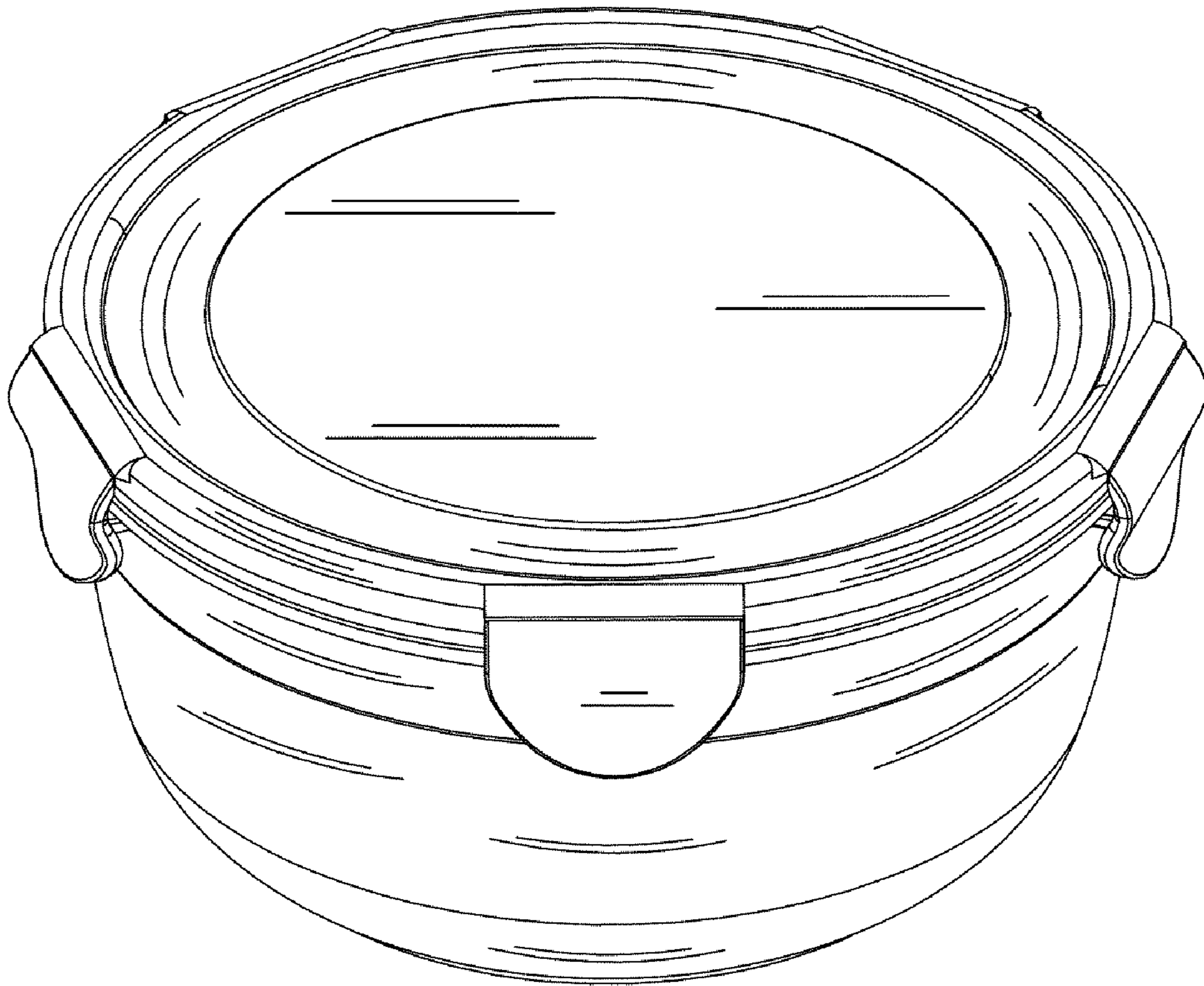


FIG. 7