



US00D651476S

(12) **United States Design Patent**
Hauser

(10) **Patent No.:** **US D651,476 S**
(45) **Date of Patent:** **** Jan. 3, 2012**

(54) **COLLAPSIBLE PRODUCE KEEPER**

(75) Inventor: **Lawrence M. Hauser**, Auburn, WA
(US)

(73) Assignee: **Progressive International Corporation**,
Kent, WA (US)

(**) Term: **14 Years**

(21) Appl. No.: **29/384,924**

(22) Filed: **Feb. 5, 2011**

(51) **LOC (9) Cl.** **07-07**

(52) **U.S. Cl.** **D7/629**

(58) **Field of Classification Search** D7/602,

D7/629, 630, 538-542, 612-615, 584, 586,
D7/587; D9/424-432; 220/669-673, 675,
220/574-575, 573.1, 660, 236, 780-806

See application file for complete search history.

(56) **References Cited**

U.S. PATENT DOCUMENTS

- 1,126,258 A 1/1915 Myers
- 1,580,440 A 4/1926 Palley
- 2,160,998 A 6/1939 Wilson
- 2,176,955 A 10/1939 Clow
- 2,725,087 A 11/1955 Potter
- 3,220,544 A 11/1965 Lovell
- 3,627,393 A 12/1971 Hickson et al.
- 3,692,204 A 9/1972 Provi et al.
- 3,920,144 A 11/1975 Callen
- 3,958,715 A 5/1976 Capelli
- 4,065,877 A 1/1978 Kelley
- 4,071,064 A 1/1978 Saul
- 4,075,786 A 2/1978 van Zyl
- 4,118,889 A 10/1978 Lamlee
- 4,118,890 A 10/1978 Shore
- 4,377,191 A 3/1983 Yamaguchi
- 4,396,121 A 8/1983 Lemmon
- 4,662,186 A 5/1987 Park
- 4,873,100 A 10/1989 Dirksing et al.

- 5,189,947 A 3/1993 Yim
- D337,697 S 7/1993 Giugiaro
- 5,226,551 A 7/1993 Robbins, III
- 5,392,941 A 2/1995 Robbins, III
- 5,395,941 A 3/1995 Isshiki et al.
- 5,403,634 A 4/1995 Mauffette
- 5,412,907 A 5/1995 Anderson
- 5,417,337 A 5/1995 Robbins, III
- 5,439,128 A 8/1995 Fishman
- 5,499,473 A 3/1996 Ramberg

(Continued)

FOREIGN PATENT DOCUMENTS

AU 2007200570 A1 5/2008

(Continued)

OTHER PUBLICATIONS

“One Source for Silicone Innovation”, Dexas International, Ltd.;
www.dexas.com; 1 page; 2006.

(Continued)

Primary Examiner — Terry Wallace

(74) *Attorney, Agent, or Firm* — Lowe Graham Jones PLLC

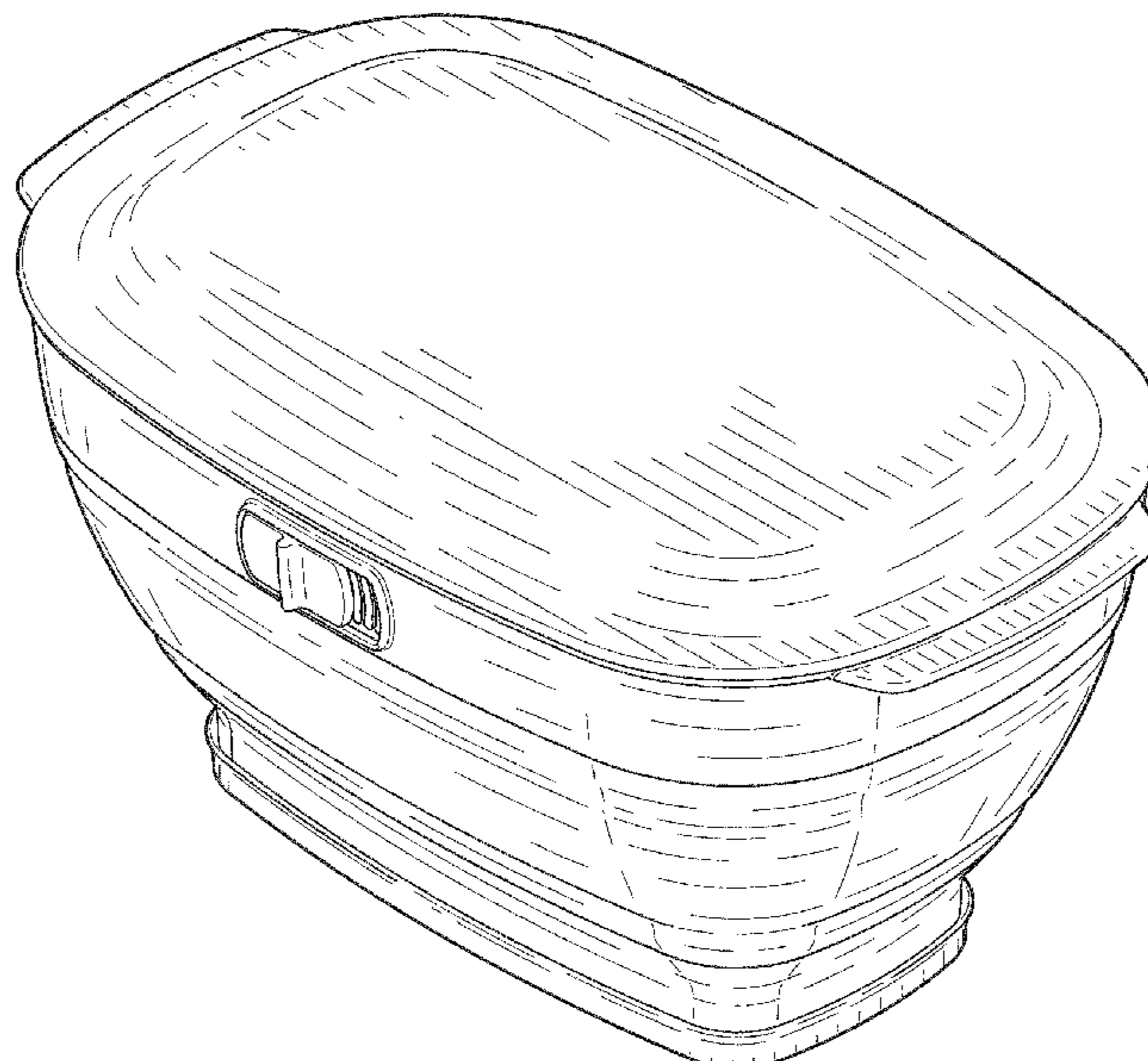
(57) **CLAIM**

I claim the ornamental design for the collapsible produce keeper, as shown.

DESCRIPTION

FIG. 1 is a perspective view of the collapsible produce keeper, showing my new design;
FIG. 2 is a front view of the collapsible produce keeper;
FIG. 3 is a top view of the collapsible produce keeper;
FIG. 4 is a right side view of the collapsible produce keeper;
FIG. 5 is a left side view of the collapsible produce keeper;
FIG. 6 is a back view of the collapsible produce keeper; and,
FIG. 7 is a bottom view of the collapsible produce keeper.

1 Claim, 6 Drawing Sheets



US D651,476 S

U.S. PATENT DOCUMENTS

5,533,638	A	7/1996	Robbins, III	
5,549,213	A	8/1996	Robbins, III et al.	
5,575,398	A	11/1996	Robbins, III	
5,575,848	A	11/1996	Chedville	
5,584,413	A	12/1996	Jung	
5,632,406	A	5/1997	Robbins, III	
5,860,556	A	1/1999	Robbins, III	
5,900,293	A	5/1999	Zettle	
5,911,338	A	6/1999	Miller	
5,913,448	A	6/1999	Mann et al.	
6,013,524	A	1/2000	Friars et al.	
6,135,307	A	10/2000	Fahy	
6,158,620	A	12/2000	Polan	
6,276,555	B1	8/2001	Edwards	
6,315,151	B1	11/2001	Hupp et al.	
6,364,152	B1	4/2002	Poslinski et al.	
6,367,409	B1 *	4/2002	Broom	220/501
6,367,651	B2	4/2002	Laib et al.	
D467,131	S	12/2002	Wright et al.	
6,547,080	B1	4/2003	Guard	
6,672,002	B1	1/2004	Gumpper	
6,736,285	B2	5/2004	Stewart-Stand	
6,758,348	B2	7/2004	Adkins	
6,783,018	B1	8/2004	Rondeau	
6,811,051	B2	11/2004	Higuchi	
D502,847	S	3/2005	Leonor	
6,949,190	B2	9/2005	Hutzler	
6,968,948	B2	11/2005	Scott	
D522,809	S	6/2006	Kusuma et al.	
D545,137	S	6/2007	Furlong et al.	
D558,536	S	1/2008	Curtin	
D608,592	S *	1/2010	Curtin	D7/538
7,678,271	B2	3/2010	Curtin	
D613,122	S *	4/2010	Curtin	D7/629

D614,453	S *	4/2010	Curtin et al.	D7/629
2001/0035364	A1	11/2001	Weder et al.	
2004/0035867	A1	2/2004	Schultz et al.	
2005/0056158	A1	3/2005	Chiang et al.	
2005/0127073	A1	6/2005	Kusuma et al.	
2005/0127074	A1	6/2005	Kusuma et al.	
2006/0096929	A1	5/2006	Repp et al.	
2007/0181489	A1	8/2007	Lee	
2007/0251874	A1	11/2007	Stewart	

FOREIGN PATENT DOCUMENTS

CA	2245807	12/2005	
CA	2602047	9/2008	
CA	2602253	12/2008	
CN	201119807	9/2008	
CN	201160796	12/2008	
CN	201167889	12/2008	
DE	20318471	U1	4/2004
EP	0719708	A1	7/1996
EP	1764017	A1	3/2007
EP	1917890	A1	5/2008
JP	09-192031		7/1997
JP	3158362		3/2010
WO	2005016013	A2	2/2005
WO	2009023892	A1	2/2009

OTHER PUBLICATIONS

“Strainer”, Good Design 2005, Norman Copenhagen, <http://www.norman-copenhagen.com/the1.html>, 1 page, Printed Jul. 13, 2006.
 “Prepology Set of 3 Silicone Collapsible Colanders,” QVC, <http://www.qvc.com/scripts/detail.dll>, 5 pages, Printed Jul. 5, 2006.
 “The Norman Collapsible Colander,” Smart Stuff, www.smartstuff.se; 2 pages, Aug. 2005.

* cited by examiner

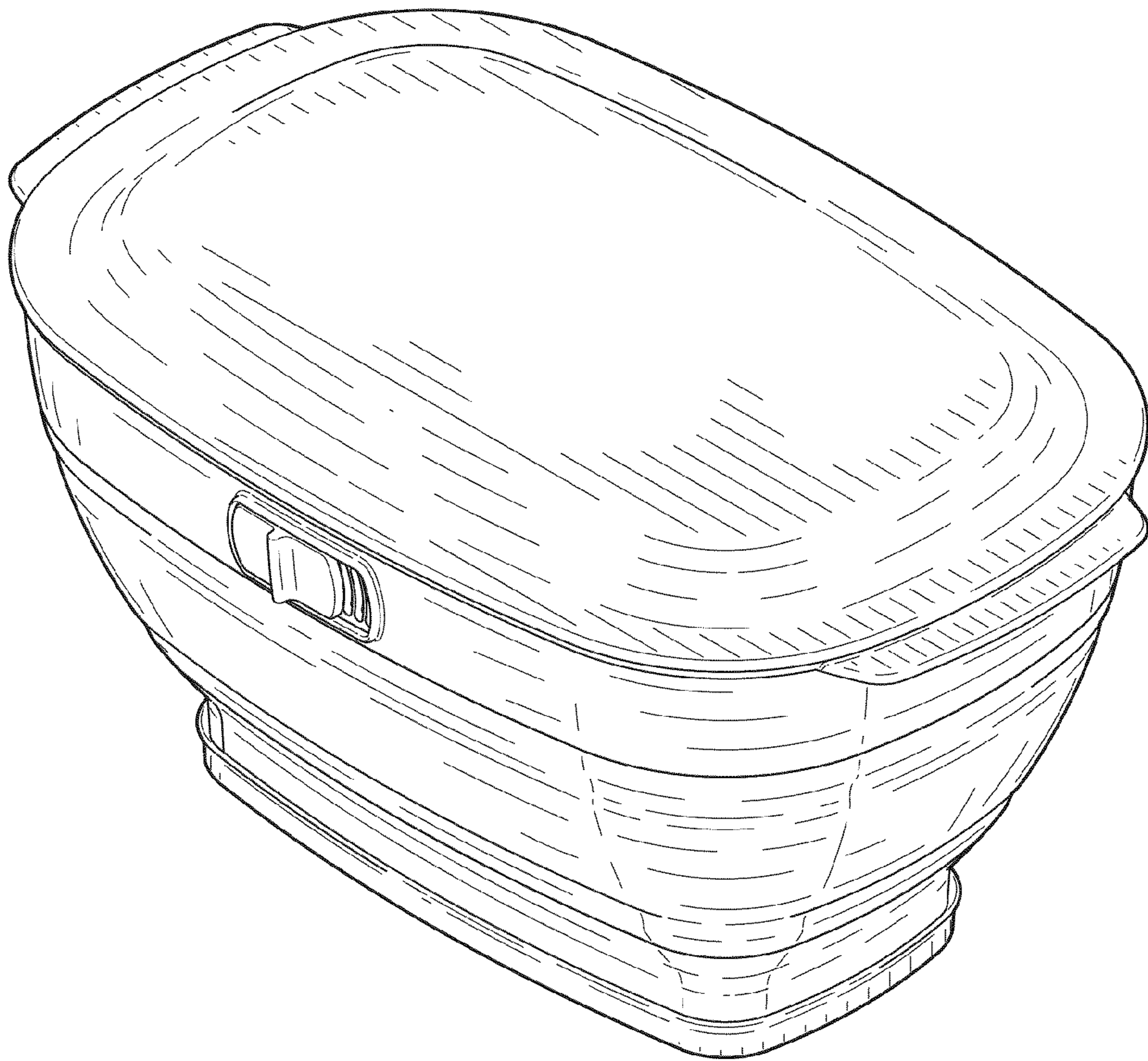


FIG.1

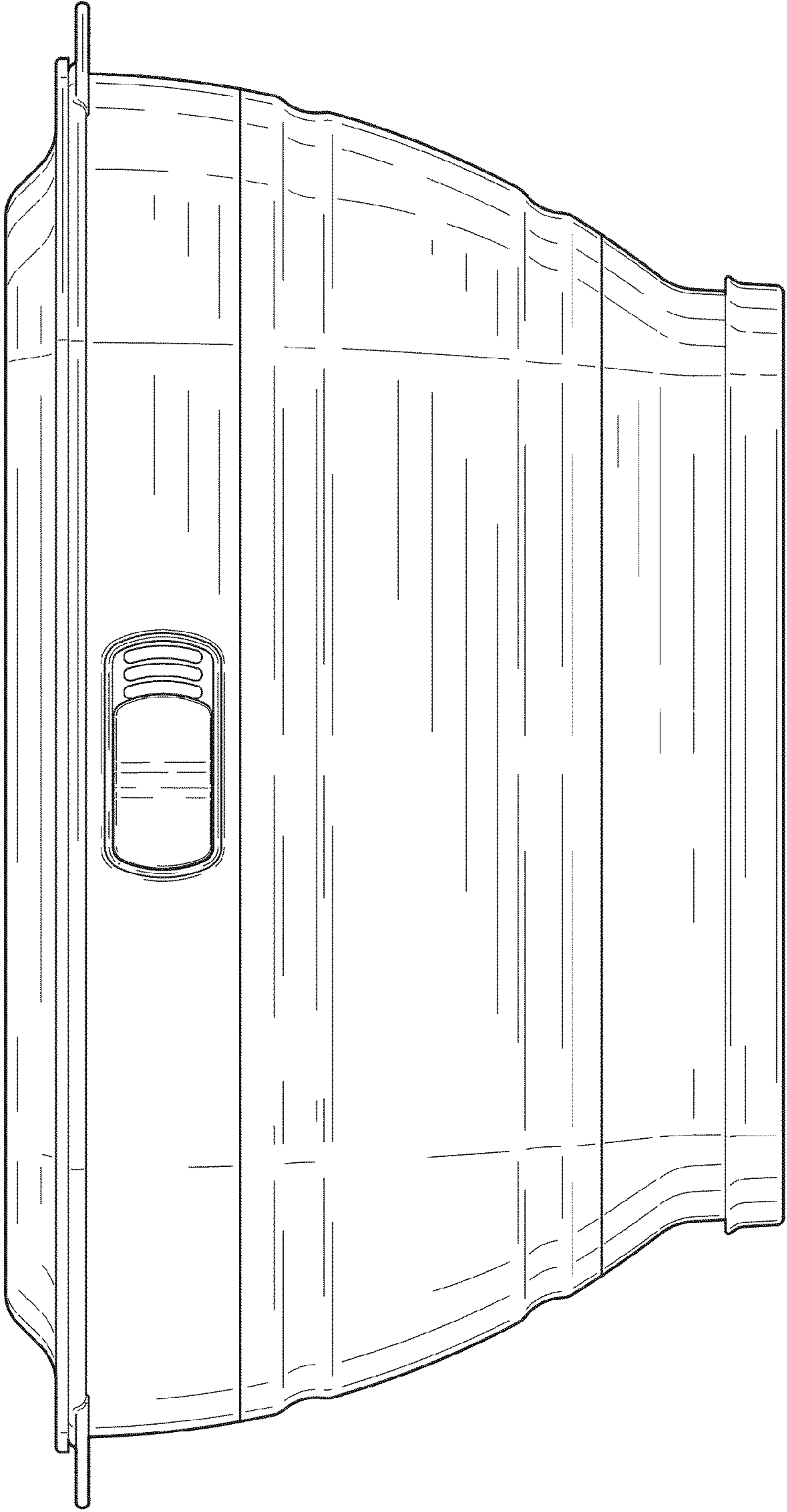


FIG.2

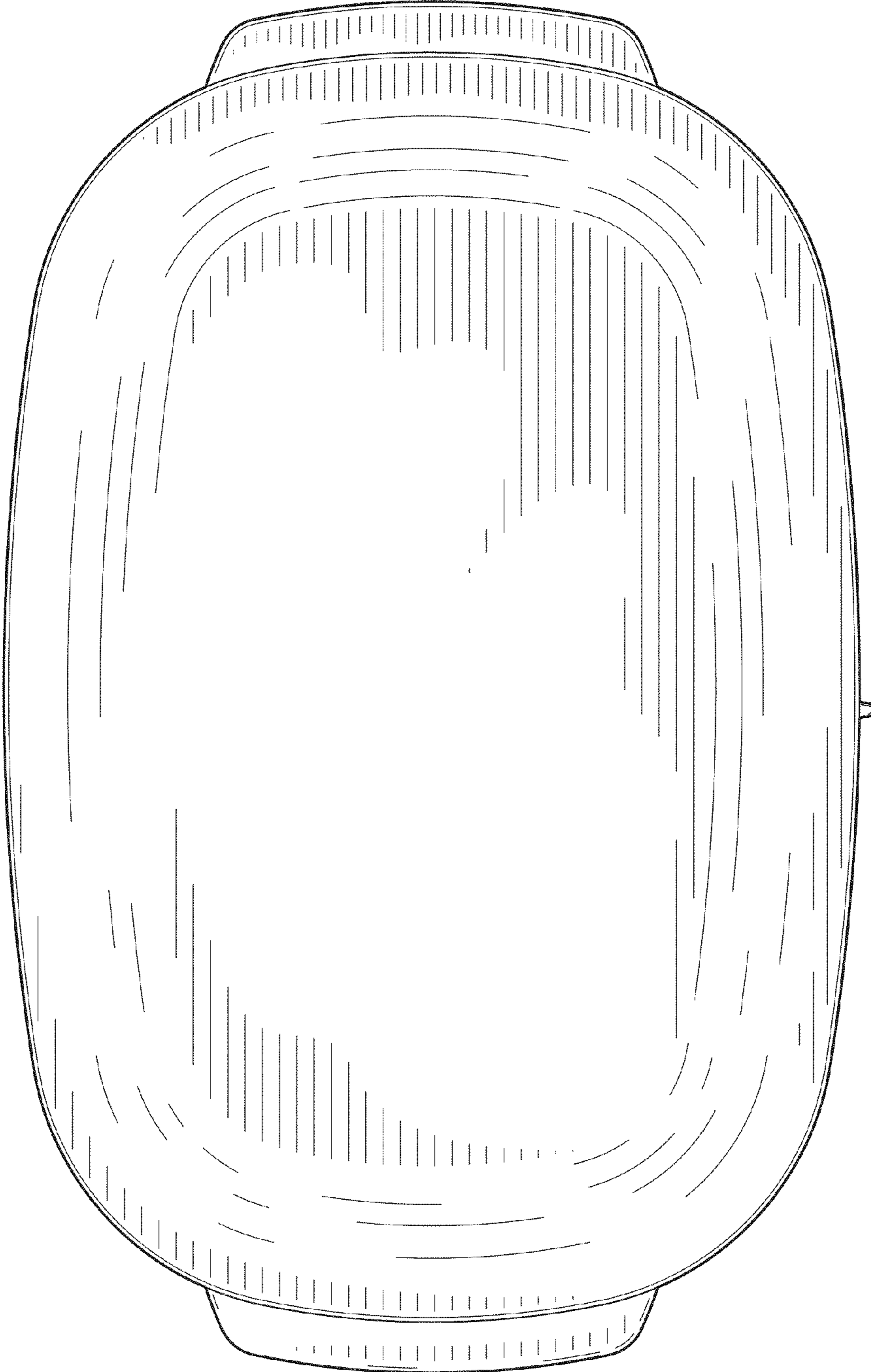


FIG. 3

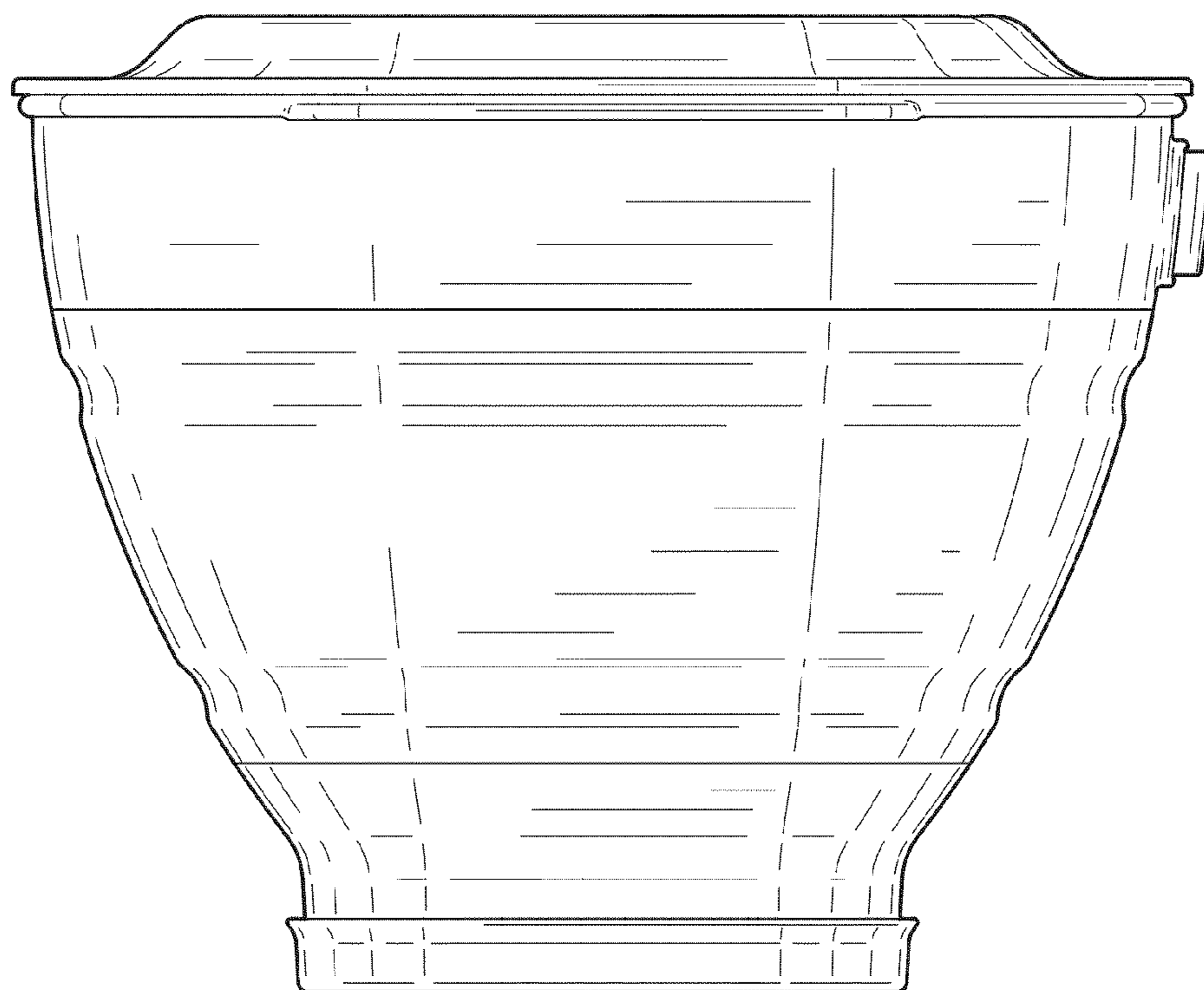


FIG. 4

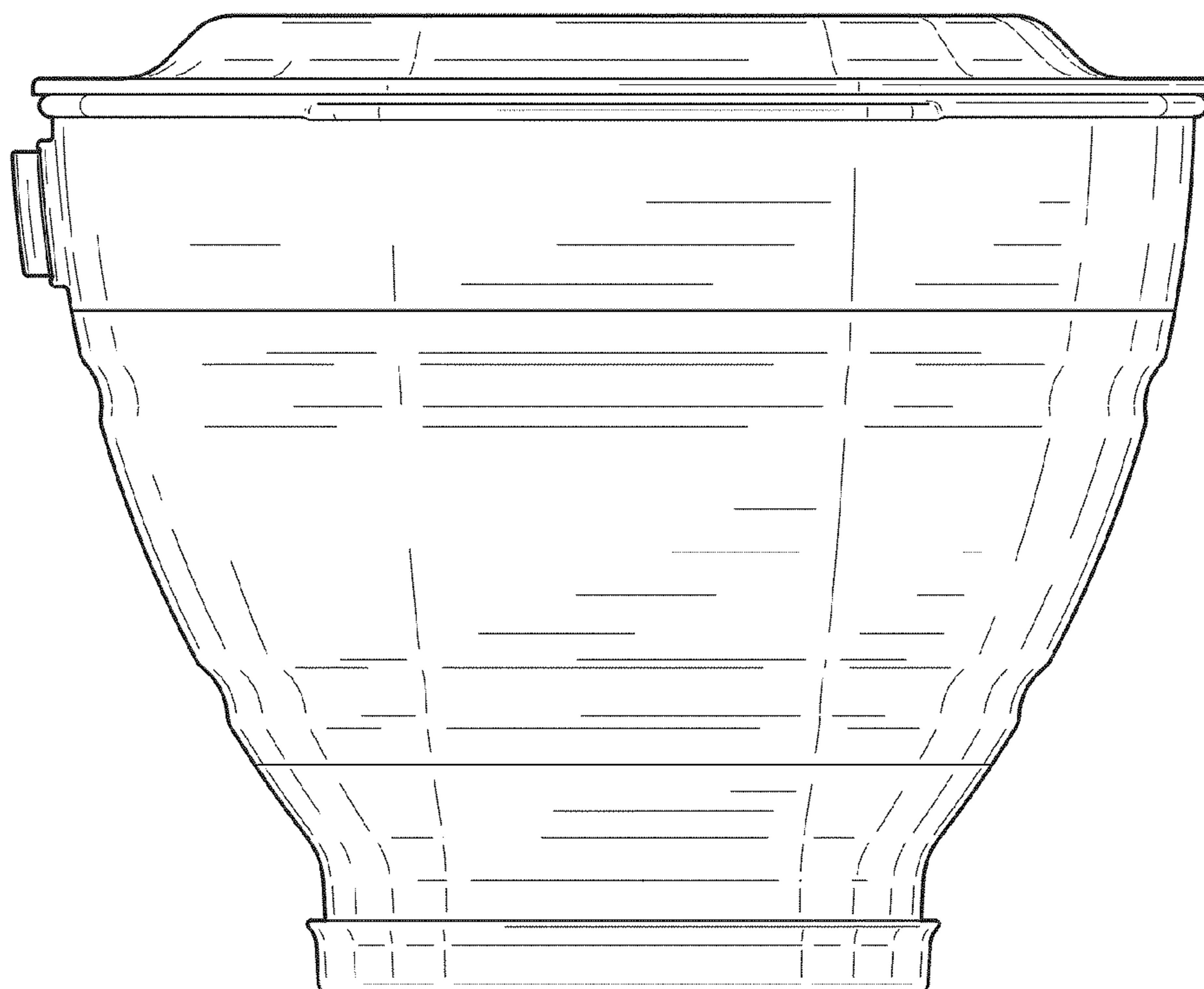


FIG. 5

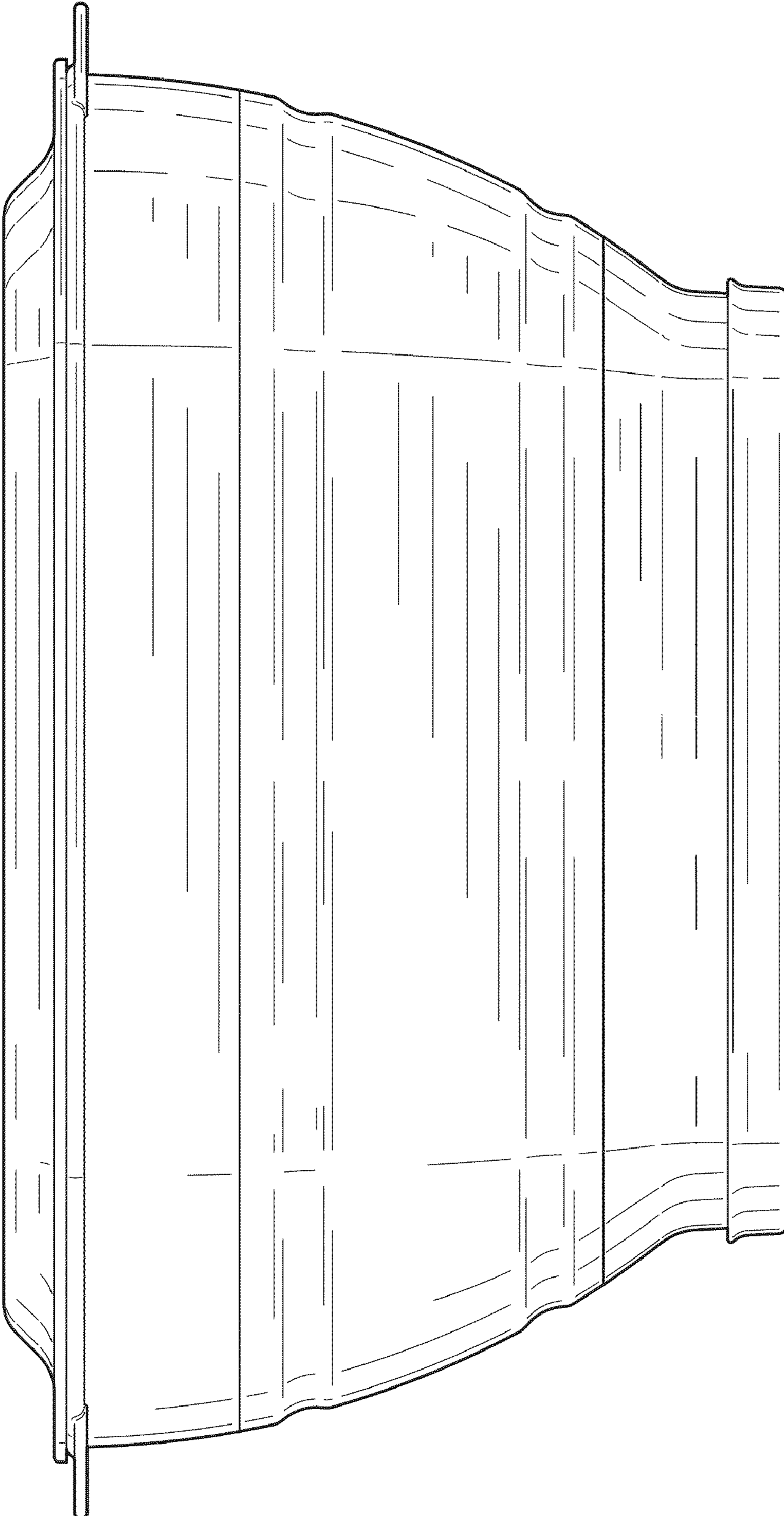


FIG.6

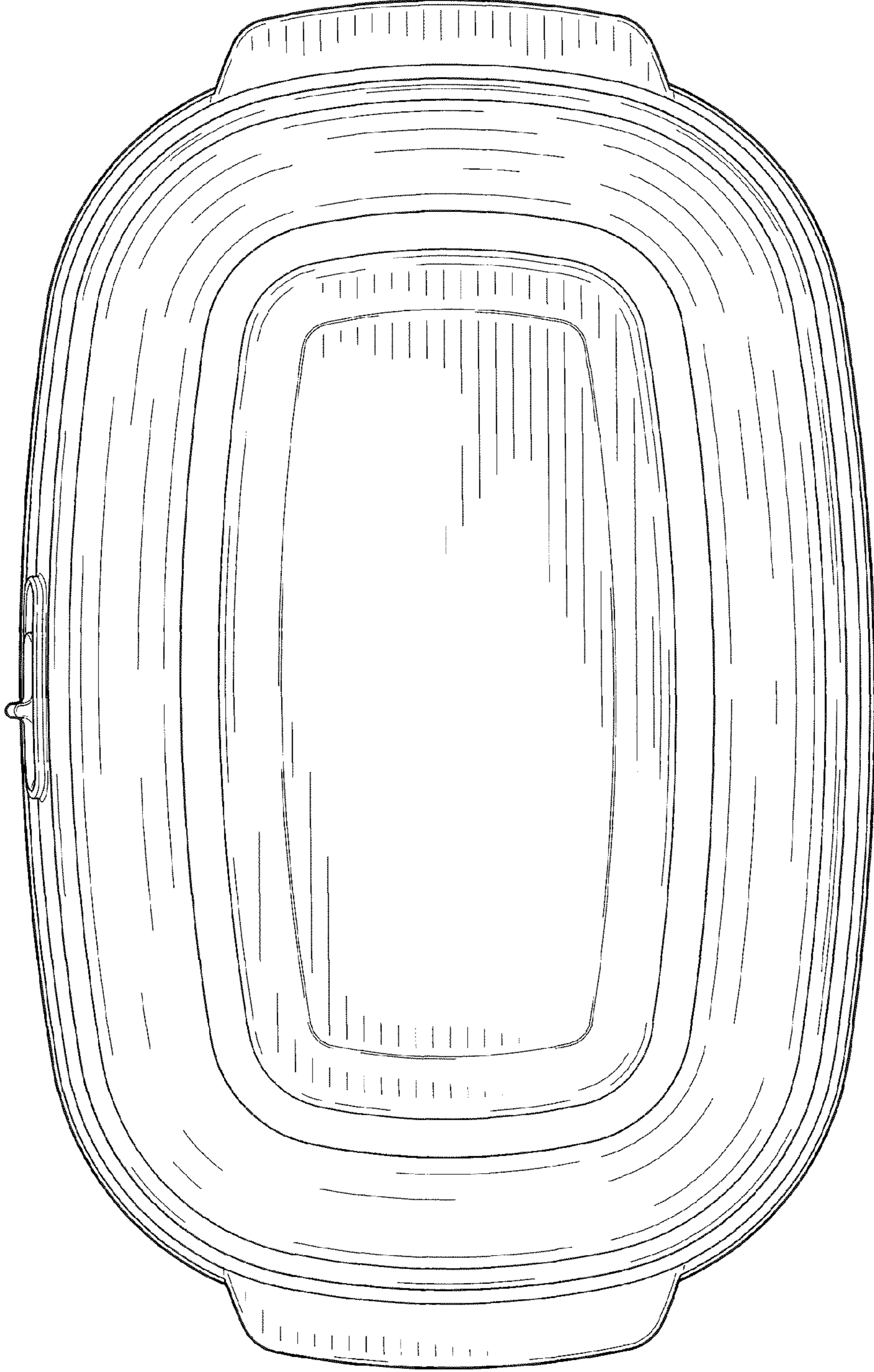


FIG. 7