



US00D651475S

(12) **United States Design Patent**  
**Lindsay et al.**

(10) **Patent No.:** **US D651,475 S**  
(45) **Date of Patent:** **\*\* Jan. 3, 2012**

(54) **FOOD CONTAINER ASSEMBLY**  
(75) Inventors: **Brendan Jon Lindsay**, Auckland (NZ);  
**James Richard Manley**, Auckland (NZ)

(73) Assignee: **Sistema Plastics Limited**, Auckland (NZ)

(\*\*) Term: **14 Years**

(21) Appl. No.: **29/347,907**

(22) Filed: **Jul. 22, 2010**

(30) **Foreign Application Priority Data**

Jun. 25, 2010 (NZ) ..... 413782

(51) **LOC (9) Cl.** ..... **07-07**

(52) **U.S. Cl.** ..... **D7/629**

(58) **Field of Classification Search** ..... D7/601,  
D7/602, 629, 612-615, 538-542; D9/428-432;  
220/780-806, 326, 574-575

See application file for complete search history.

(56) **References Cited**

**U.S. PATENT DOCUMENTS**

4,244,612	A	1/1981	Schurman	
4,522,312	A	6/1985	Rathgeber	
D376,512	S *	12/1996	Klemme	D7/538
5,931,332	A *	8/1999	Mygatt et al.	220/270
D488,031	S *	4/2004	Kim	D7/629
6,789,692	B2	9/2004	Prezelin	
6,955,381	B2	10/2005	Parker	
7,090,089	B2	8/2006	Lown	

D575,115	S *	8/2008	Zimmerman	D7/629
D606,813	S *	12/2009	Kim	D7/629
D621,667	S *	8/2010	Ablo	D7/629
2003/0010783	A1	1/2003	Prezelin	

**FOREIGN PATENT DOCUMENTS**

WO 02/59007 8/2002

\* cited by examiner

*Primary Examiner* — Terry Wallace

(74) *Attorney, Agent, or Firm* — Jacobson Holman PLLC

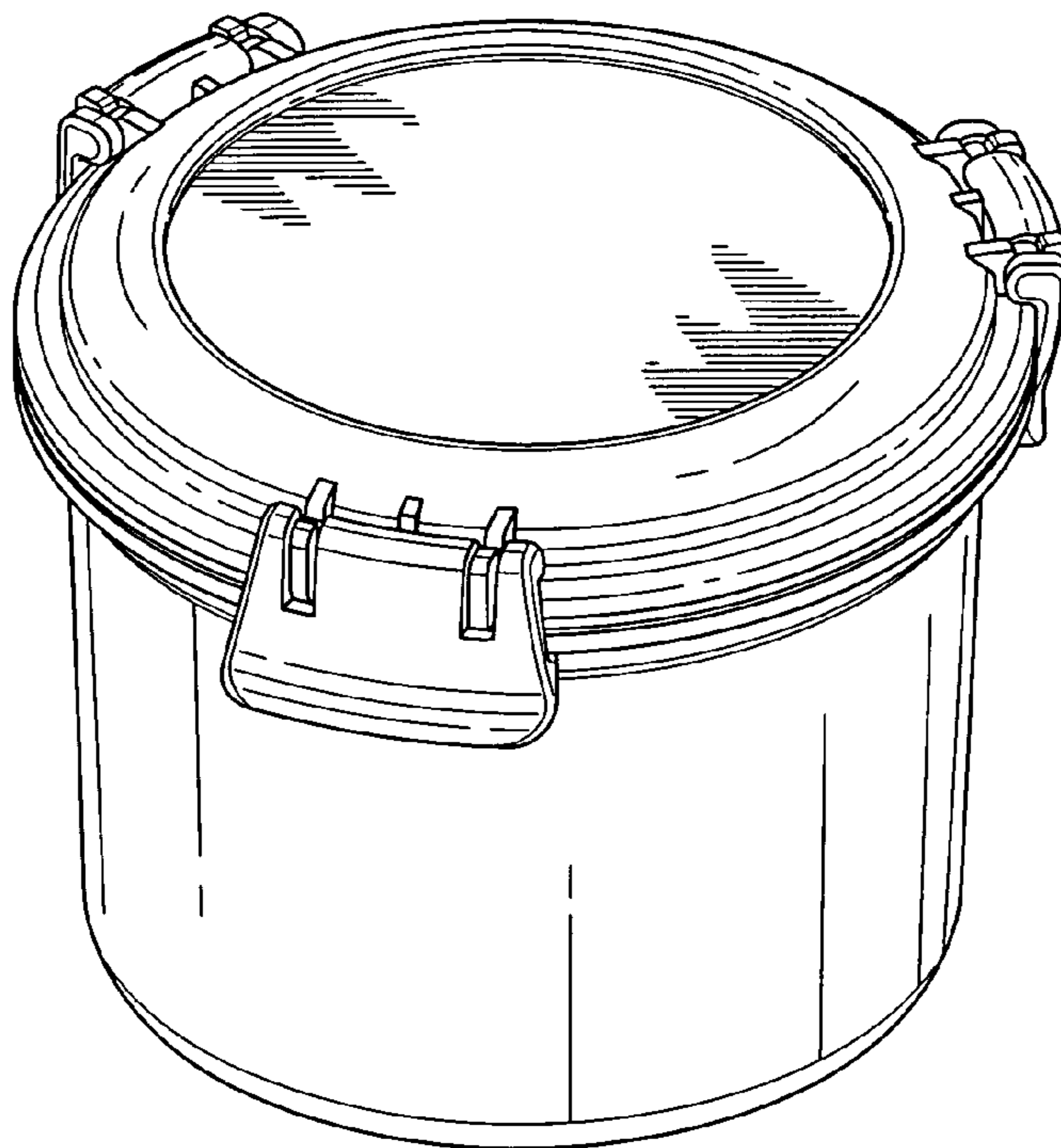
(57) **CLAIM**

The ornamental design for a food container assembly, as shown and described.

**DESCRIPTION**

FIG. 1 is a front perspective view of the food container assembly embodying our design;  
 FIG. 2 is top plan view of FIG. 1, the arrows A through D showing the direction of the views of FIGS. 4 through 7;  
 FIG. 3 is a bottom plan view of FIG. 1;  
 FIG. 4 is a side elevational view from arrow A in FIG. 2;  
 FIG. 5 is a side elevational view from arrow B in FIG. 2;  
 FIG. 6 is a side elevational view from arrow C in FIG. 2;  
 FIG. 7 is a side elevational view from arrow D in FIG. 2;  
 FIG. 8 is a top perspective exploded view of FIG. 1 showing the component parts of the assembly;  
 FIG. 9 is a bottom perspective exploded view of FIG. 1 showing the component parts of the assembly; and,  
 FIG. 10 is an exploded side elevational view, in partial cross-section, of FIG. 1.

**1 Claim, 7 Drawing Sheets**



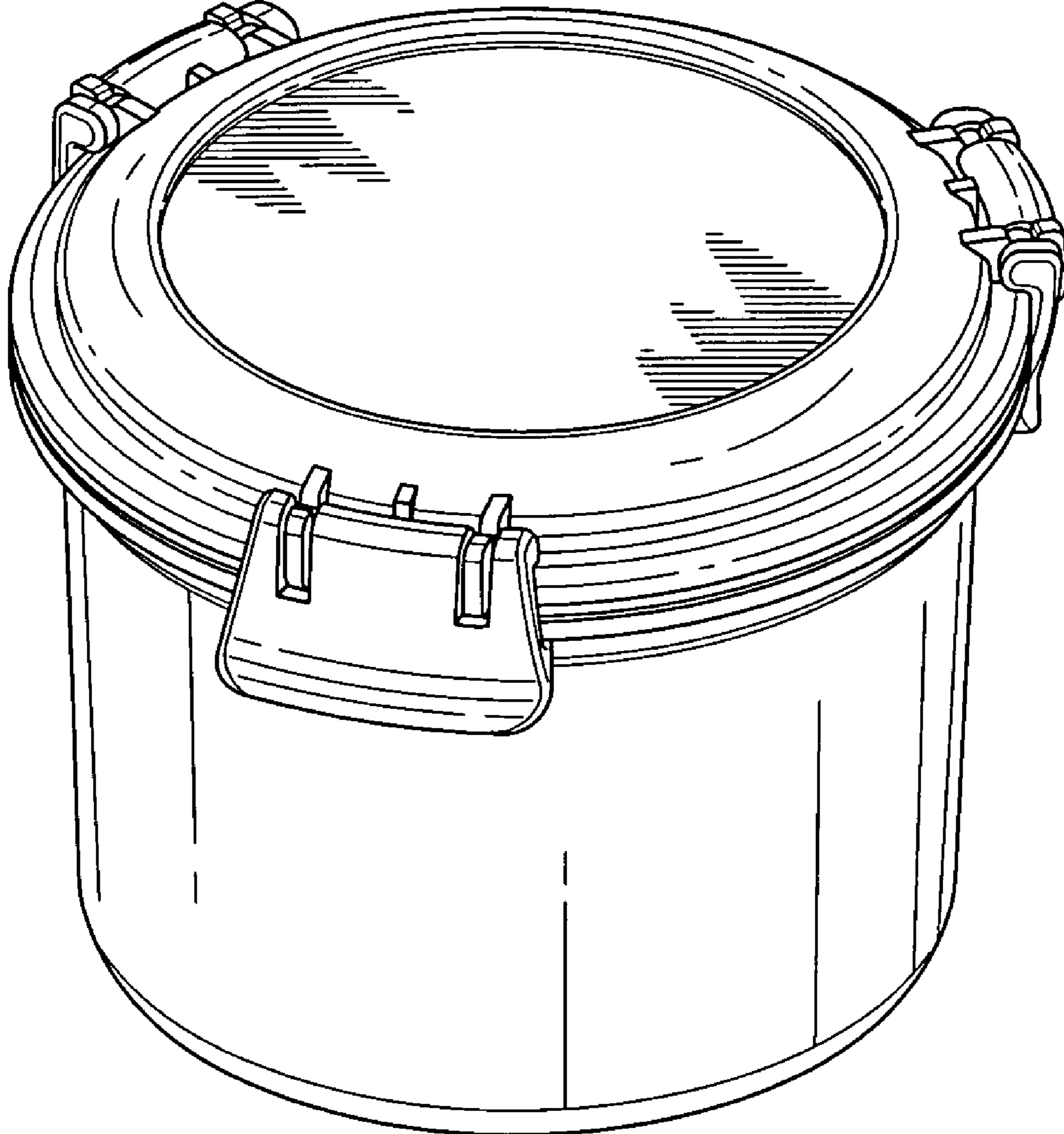


FIG. 1

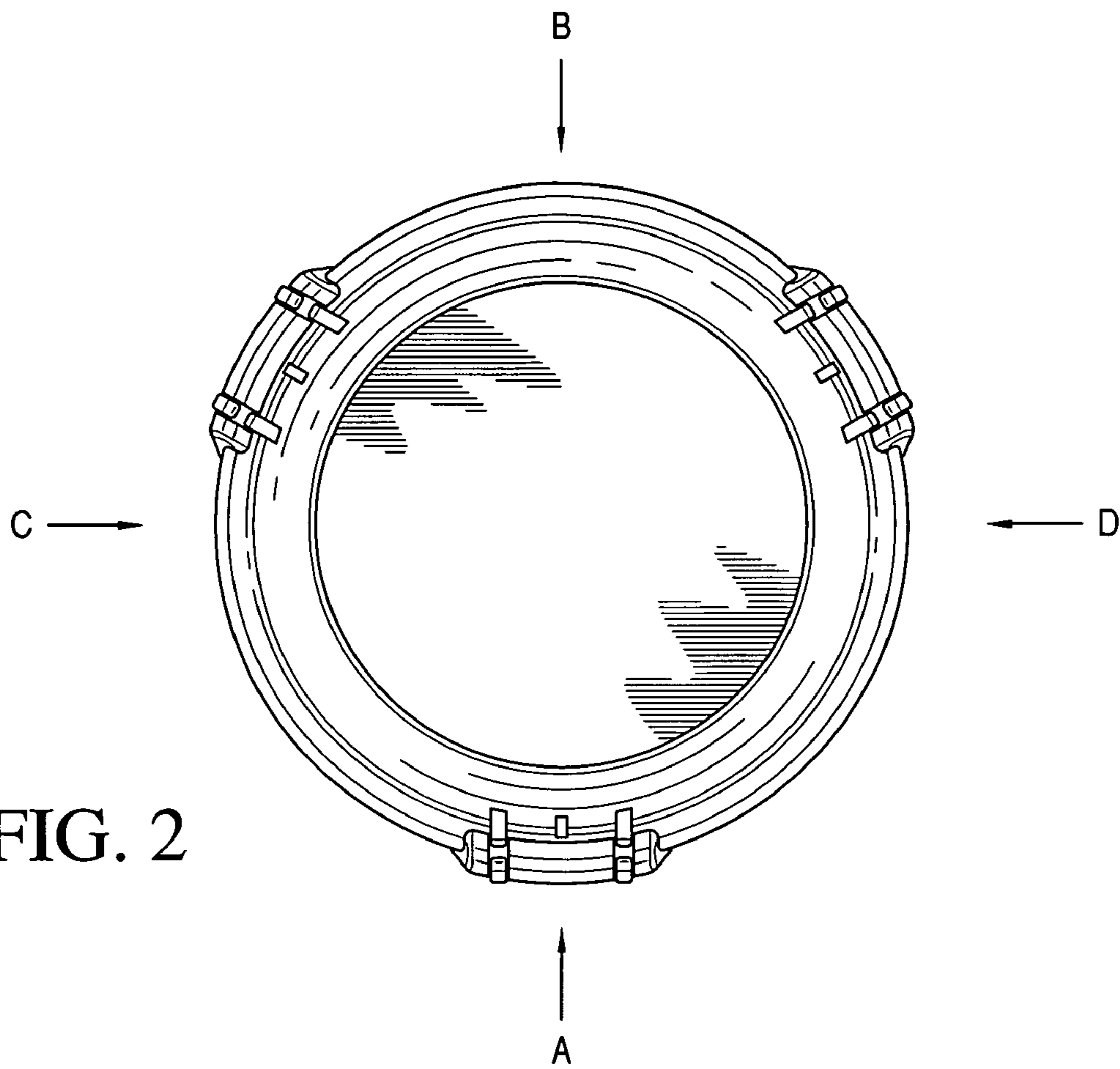


FIG. 2

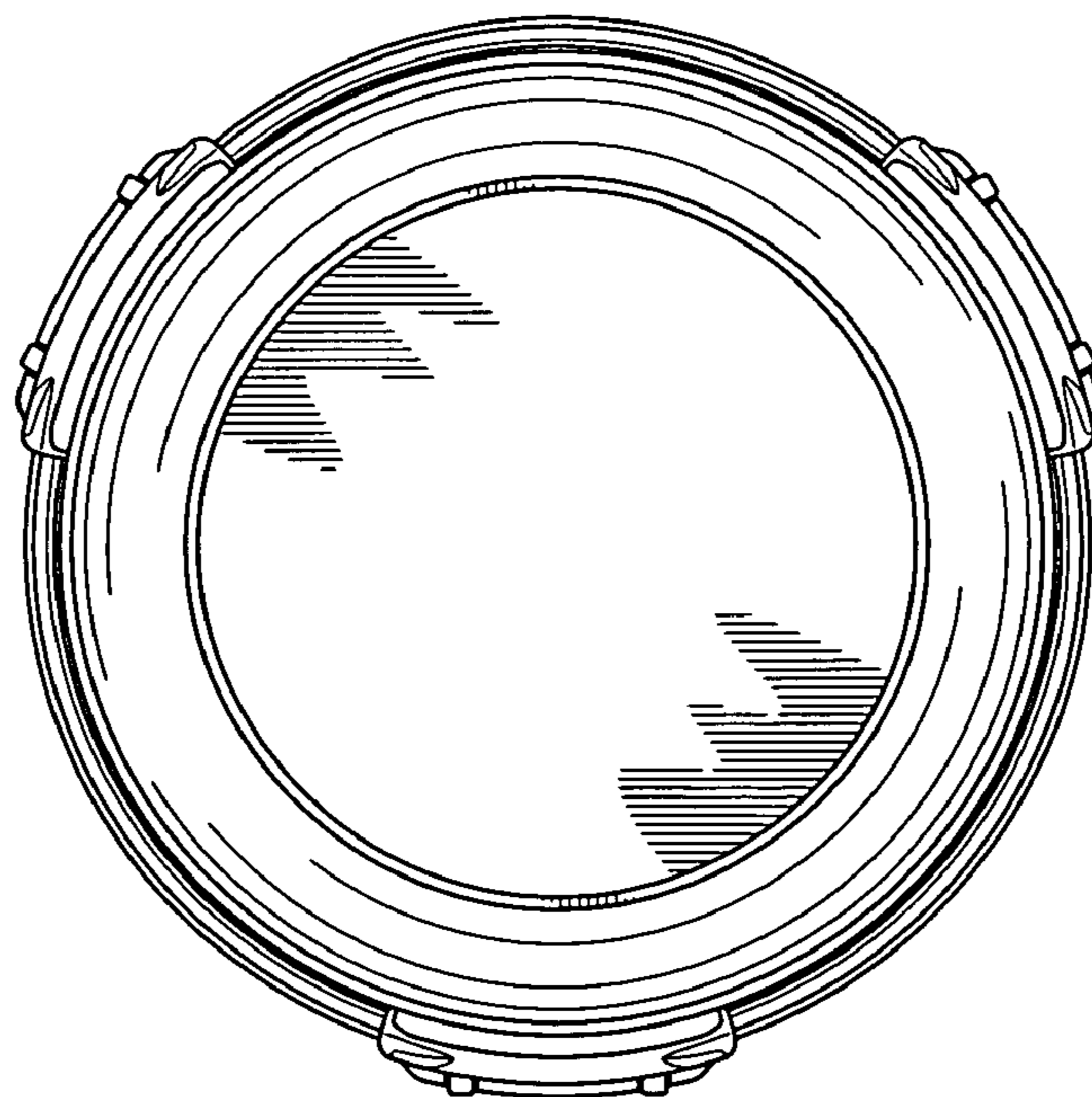


FIG. 3

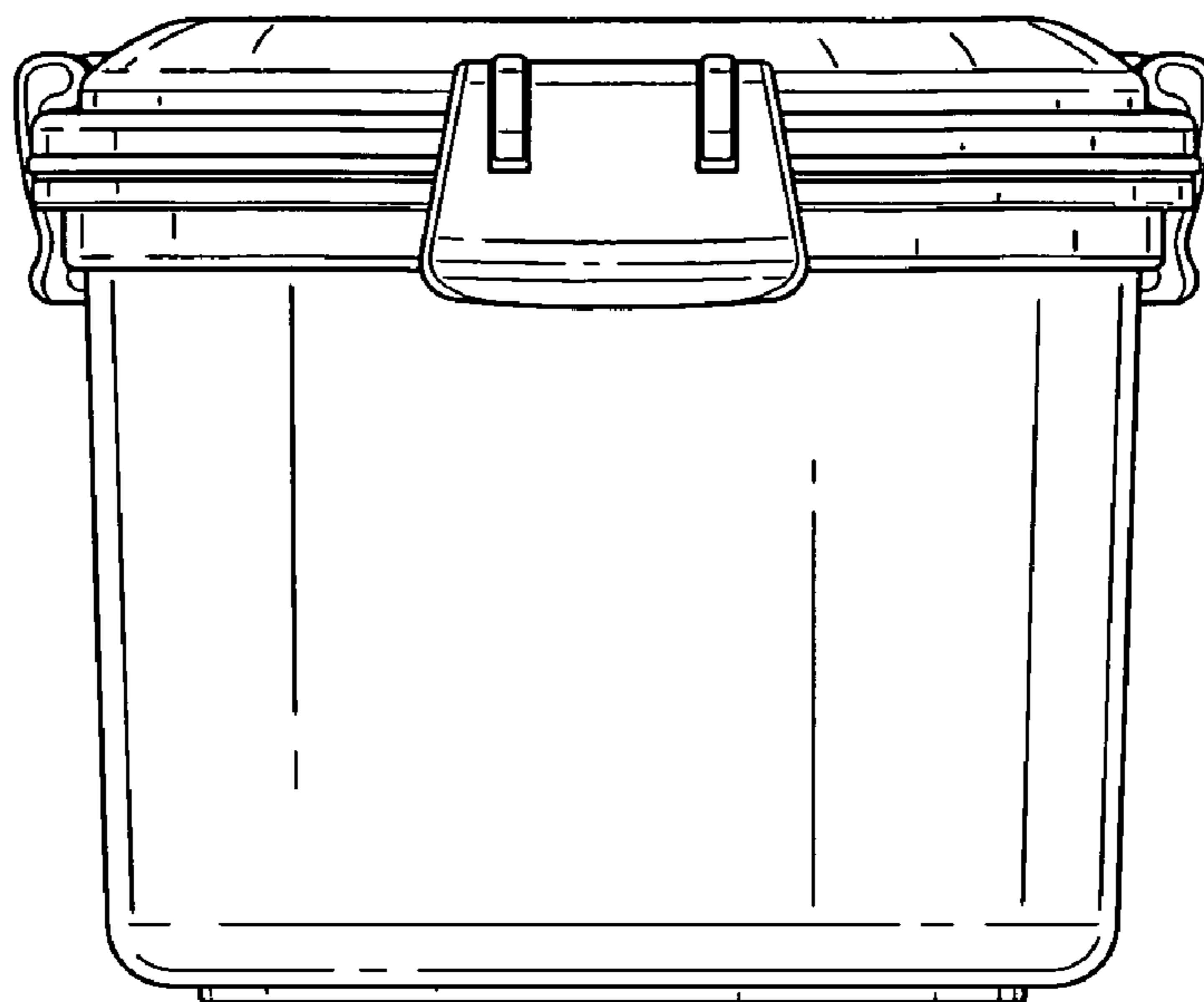


FIG. 4

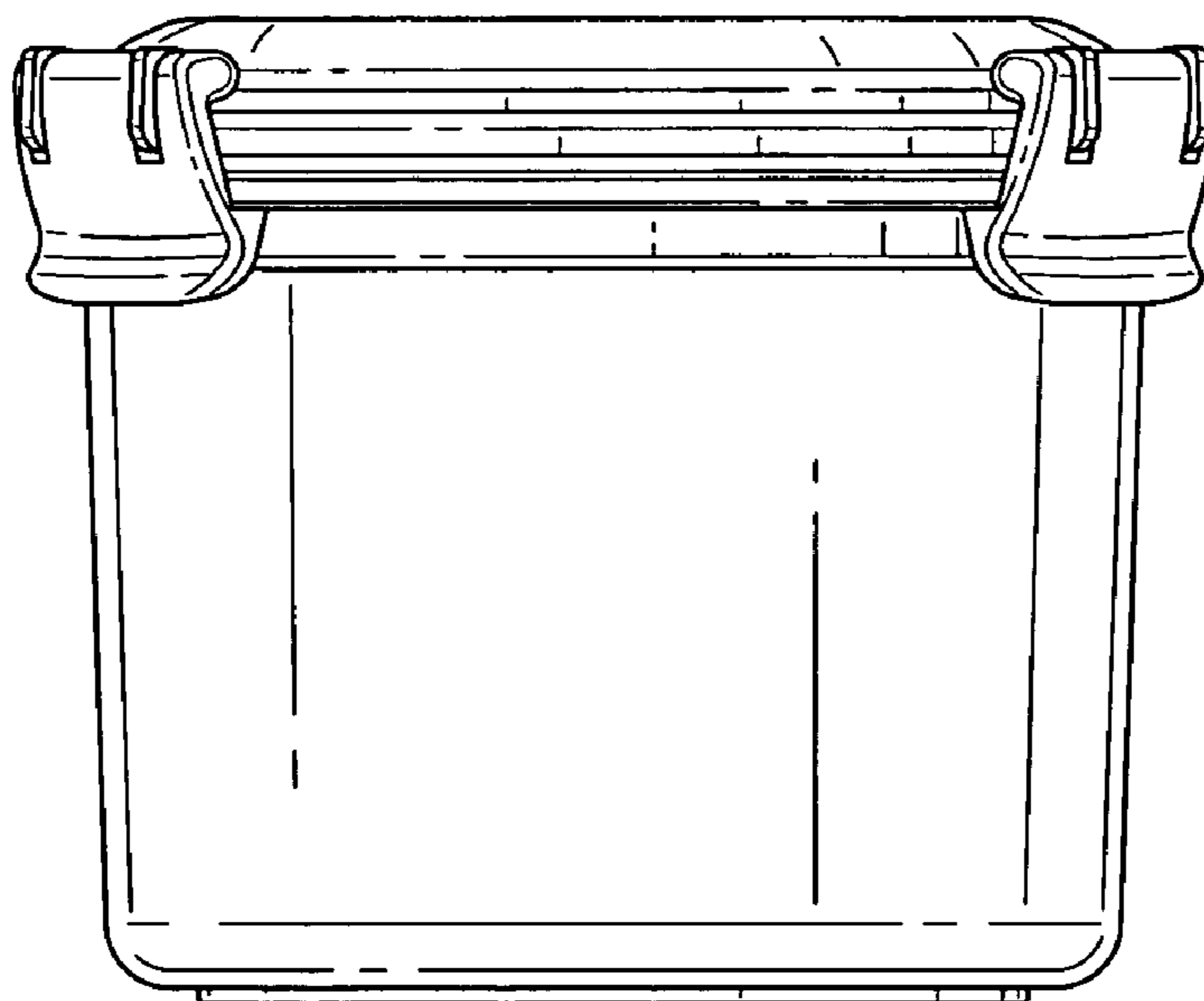


FIG. 5

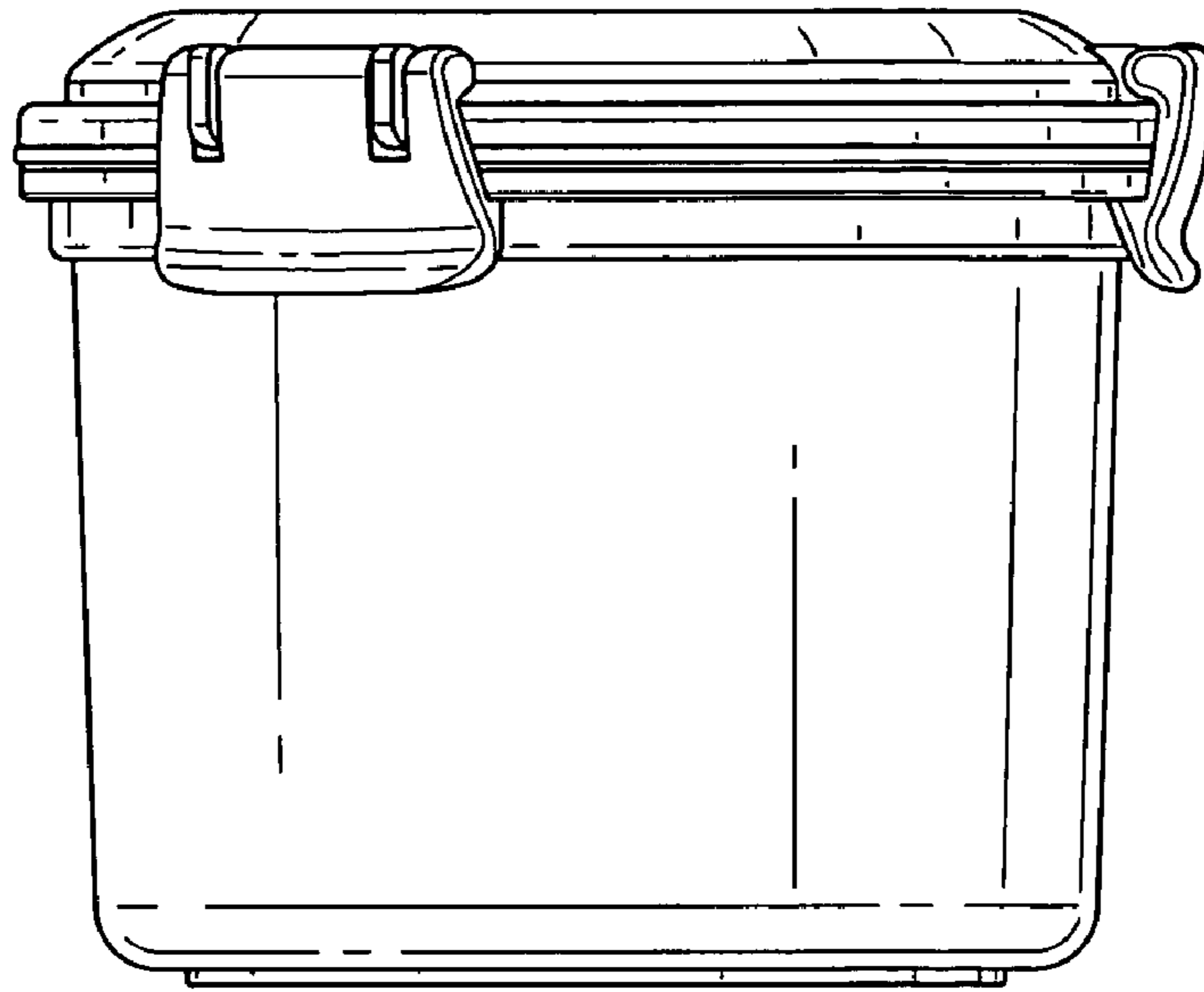


FIG. 6

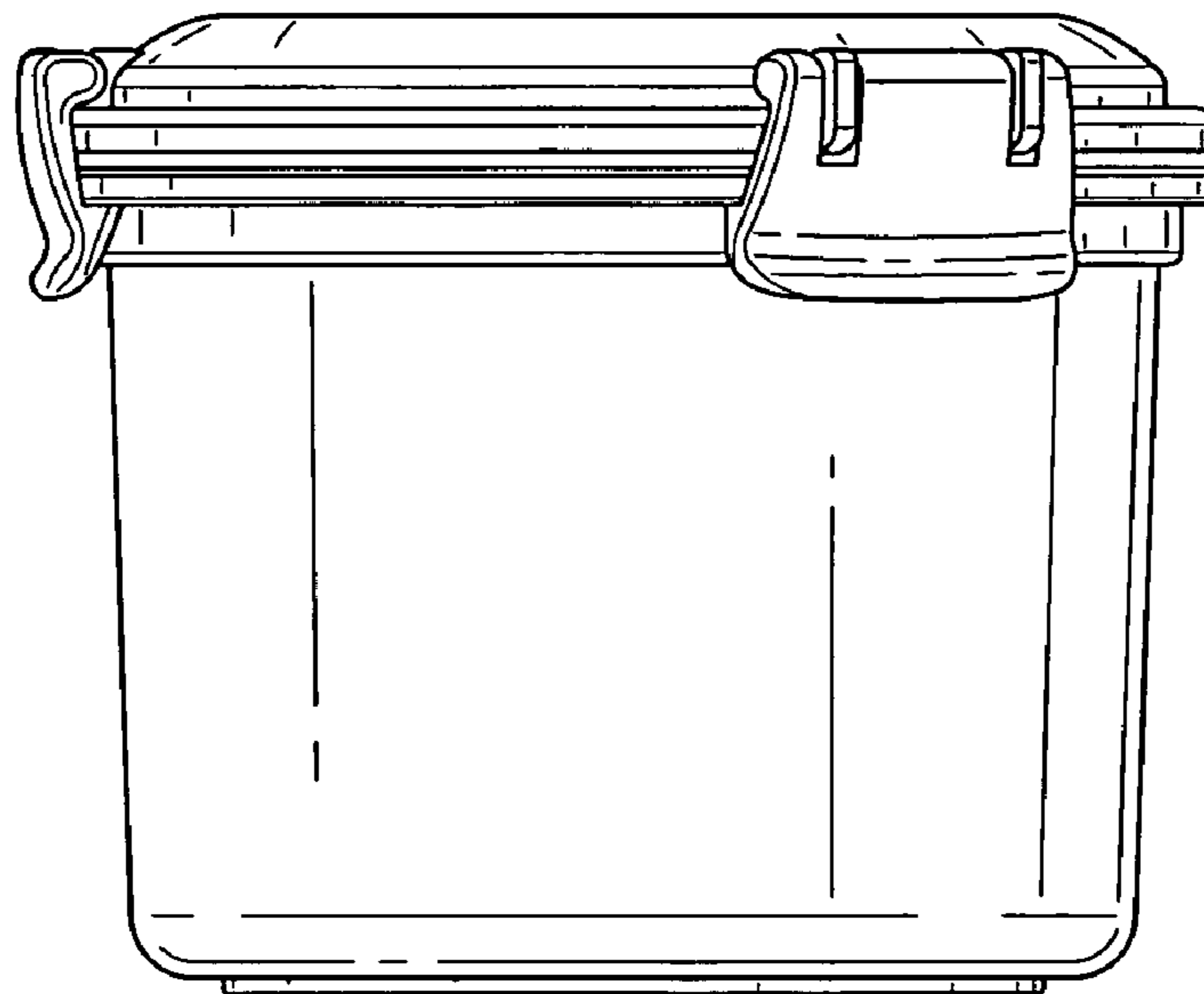


FIG. 7

FIG. 8

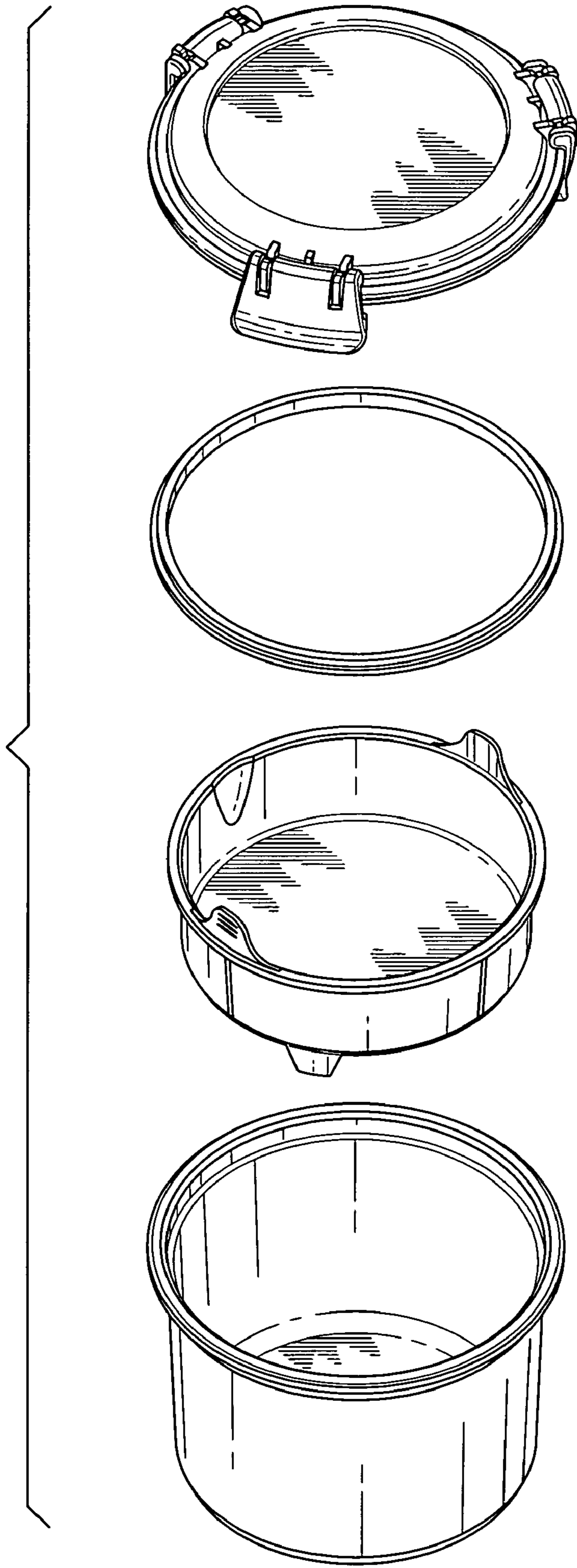


FIG. 9

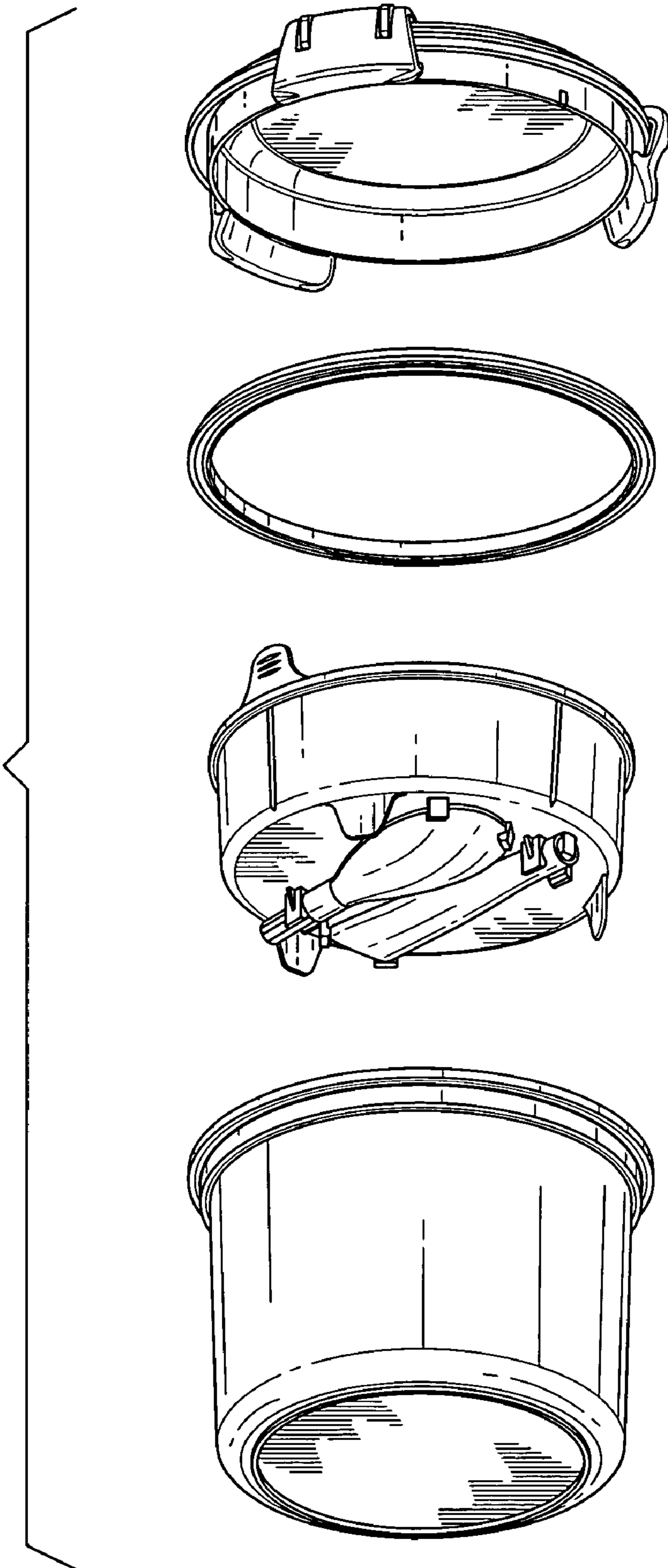


FIG. 10

