



US00D651474S

(12) **United States Design Patent**
Gut

(10) **Patent No.:** **US D651,474 S**

(45) **Date of Patent:** **** Jan. 3, 2012**

(54) **BOTTLE ACCESSORY**

(76) Inventor: **Cassandra Gut**, New York, NY (US)

(**) Term: **14 Years**

(21) Appl. No.: **29/381,842**

(22) Filed: **Dec. 23, 2010**

(51) **LOC (9) Cl.** **07-06**

(52) **U.S. Cl.** **D7/624.2**

(58) **Field of Classification Search** D7/601-602,
D7/619.1, 624.1, 624.2, 388, 607; D9/444,
D9/455, 501, 517; D24/199; 215/11.6; 220/592.16,
220/592.17, 737-739, 902-903; 229/89-91

See application file for complete search history.

(56) **References Cited**

U.S. PATENT DOCUMENTS

2,538,684	A *	1/1951	Gushard et al.	215/382
5,318,821	A *	6/1994	Bradley, Jr.	428/100
D429,447	S *	8/2000	Prag	D7/607
D434,655	S *	12/2000	Haugh et al.	D9/434
D480,969	S *	10/2003	Owens	D9/455
D557,990	S *	12/2007	Martin	D7/590
D611,819	S *	3/2010	Slubski	D9/516

* cited by examiner

Primary Examiner — Ian Simmons

Assistant Examiner — Dana L Sipos

(74) *Attorney, Agent, or Firm* — Tutunjian & Bitetto, P.C.

(57) **CLAIM**

The ornamental design for a bottle accessory, as shown and described.

DESCRIPTION

FIG. 1 is a perspective view of the bottle accessory showing my new design;

FIG. 2 is a front view thereof;

FIG. 3 is a rear view thereof;

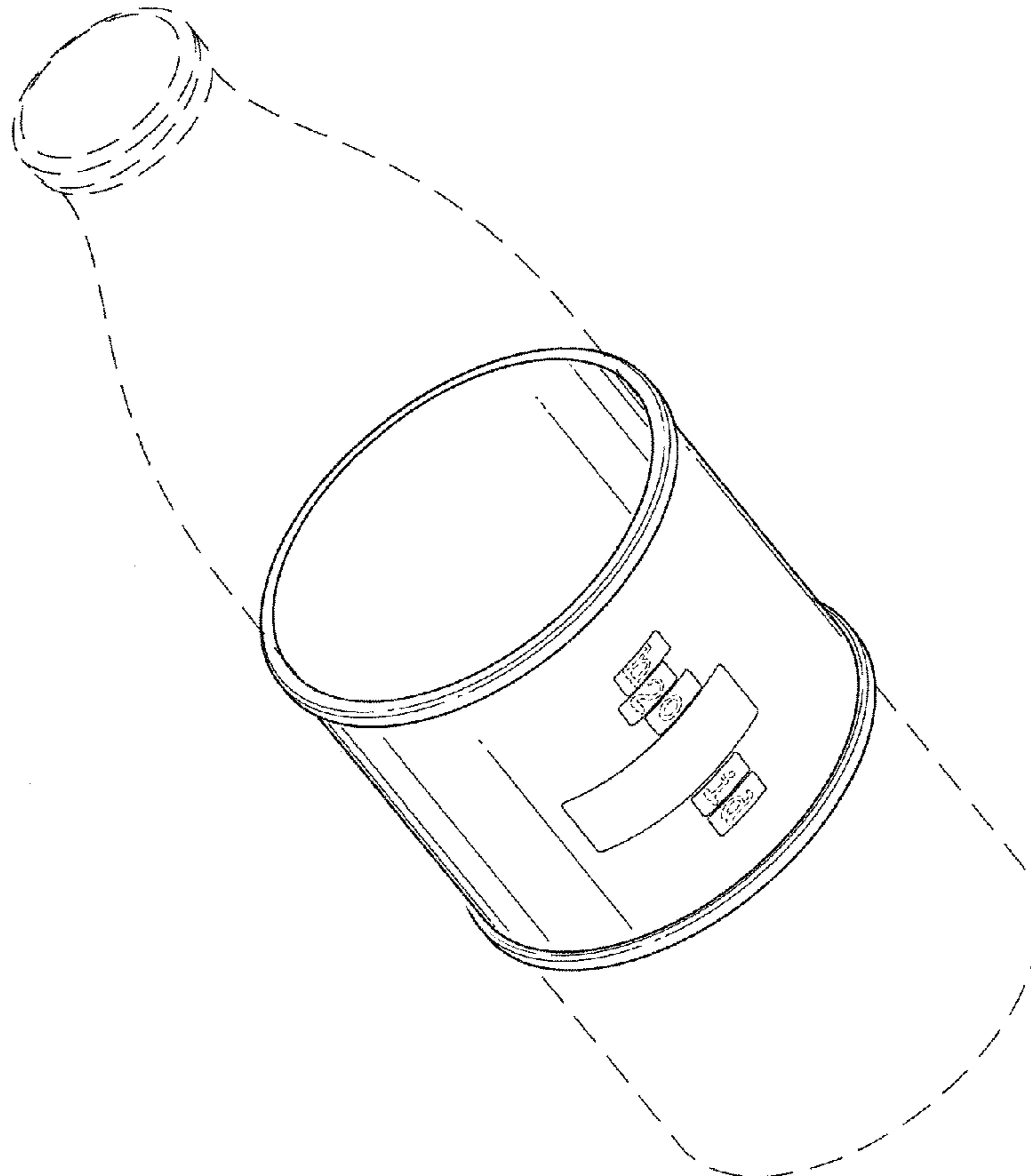
FIG. 4 is a right side view thereof;

FIG. 5 is a left side view thereof; and,

FIG. 6 is a top view thereof; the bottom view being identical to the top view.

The broken lines in the drawings illustrate the portions of the design that form no part of the claim.

1 Claim, 3 Drawing Sheets



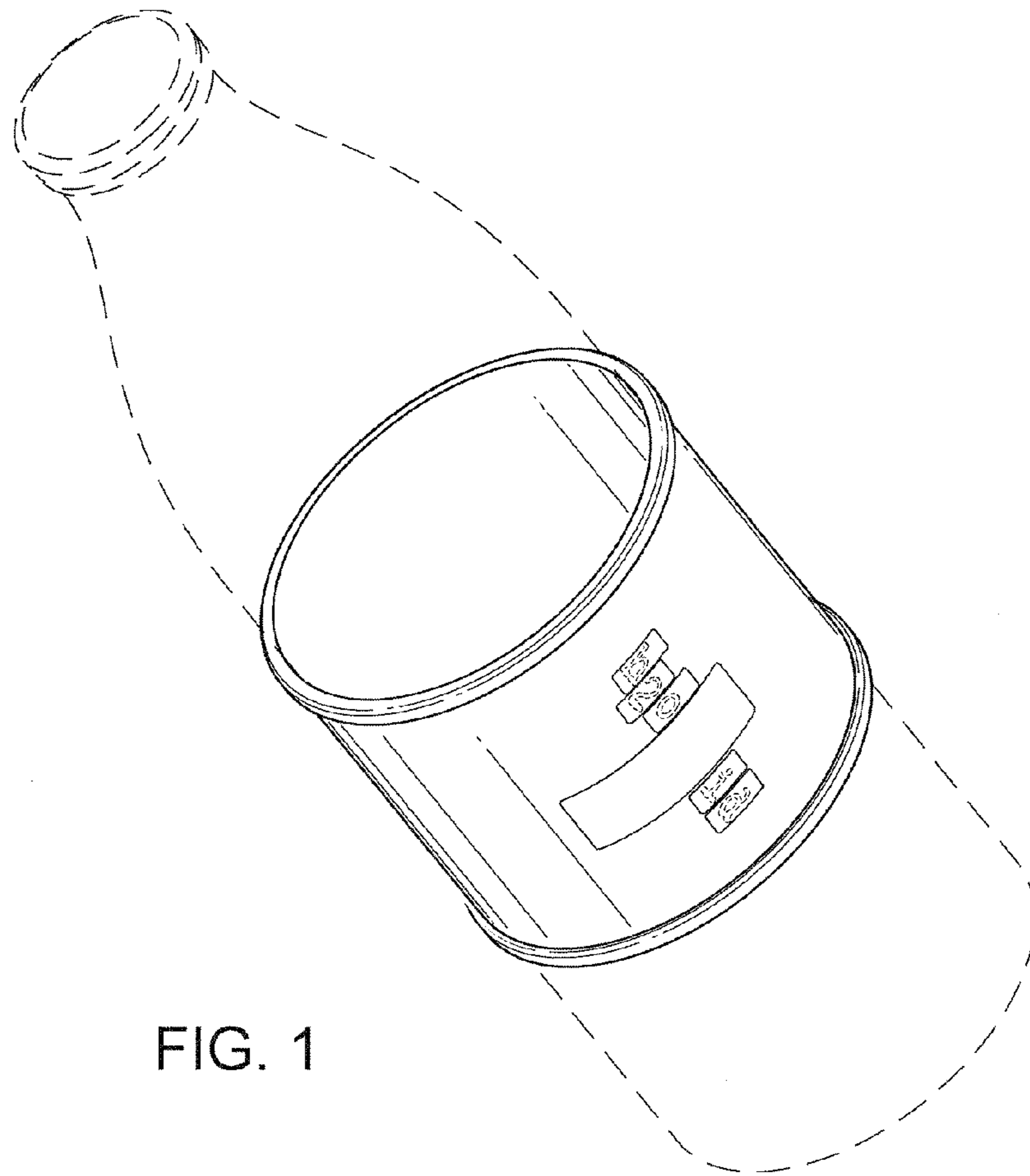


FIG. 1

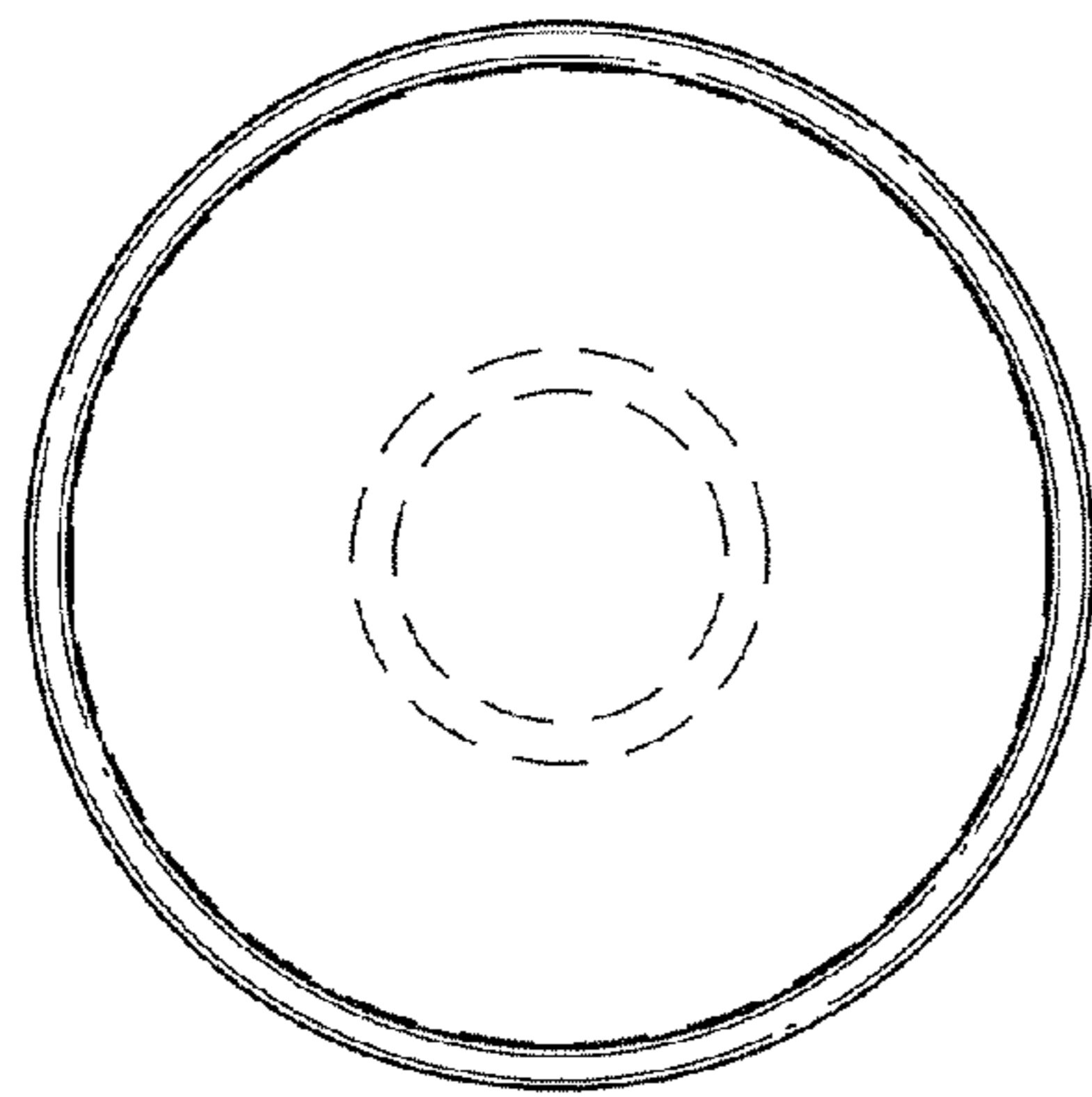


FIG. 6

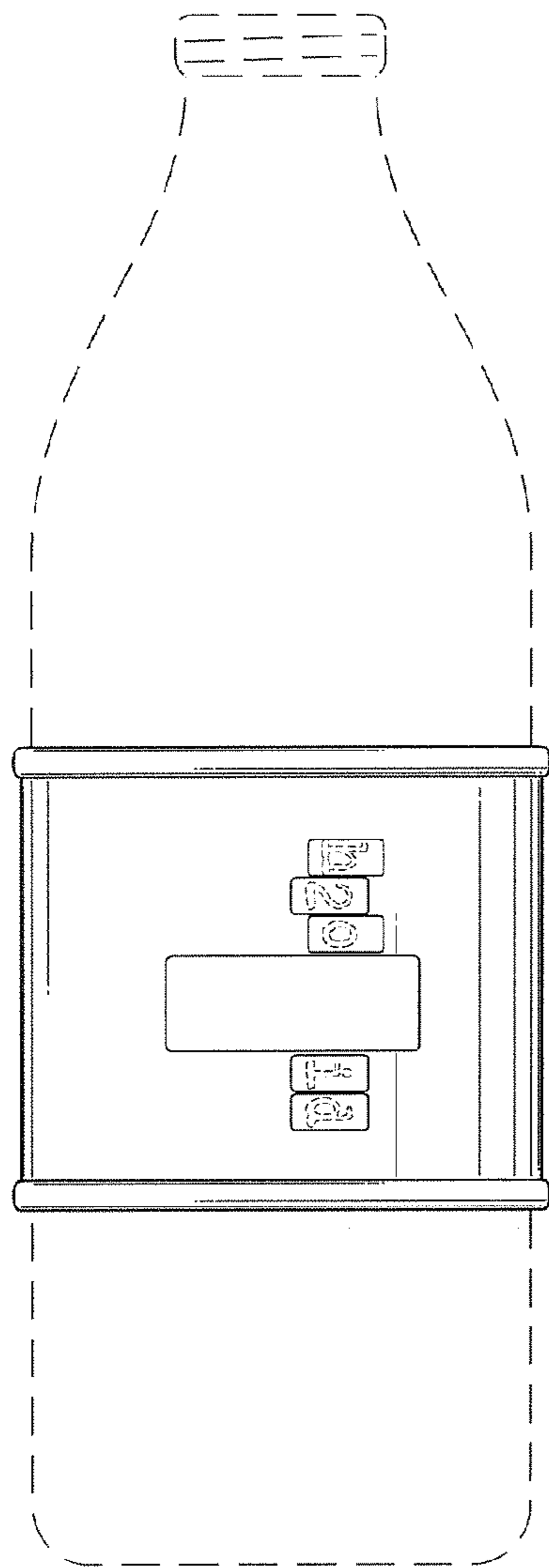


FIG. 2

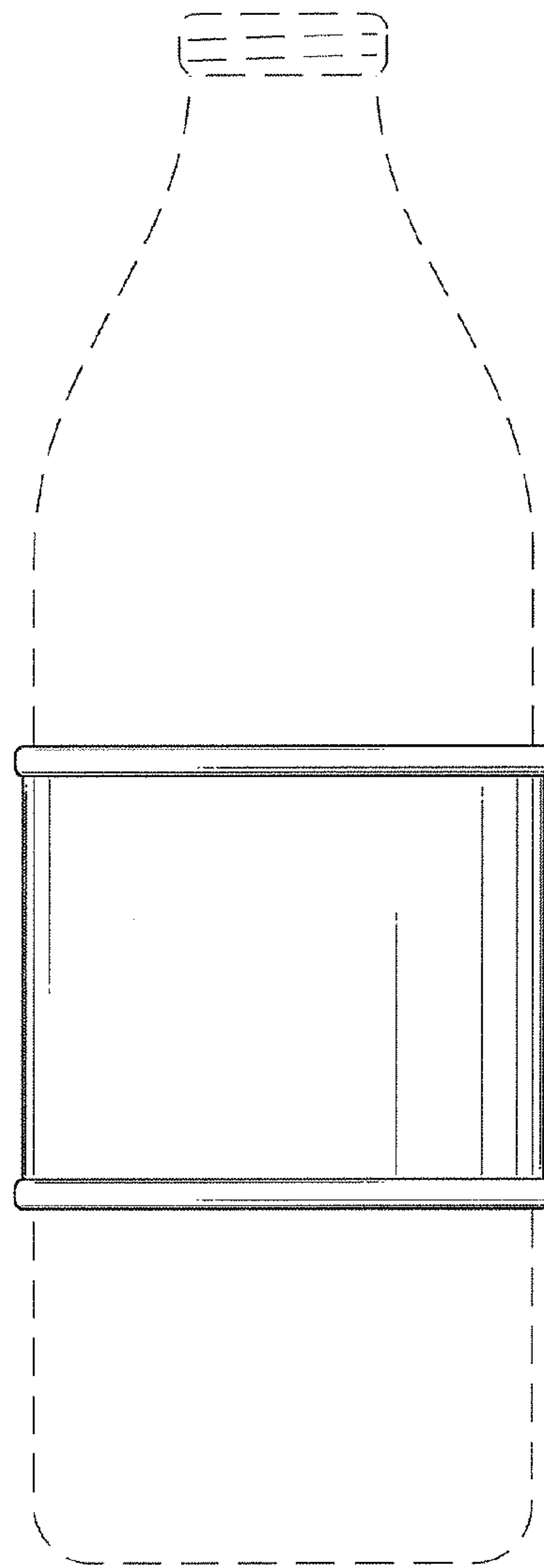


FIG. 3

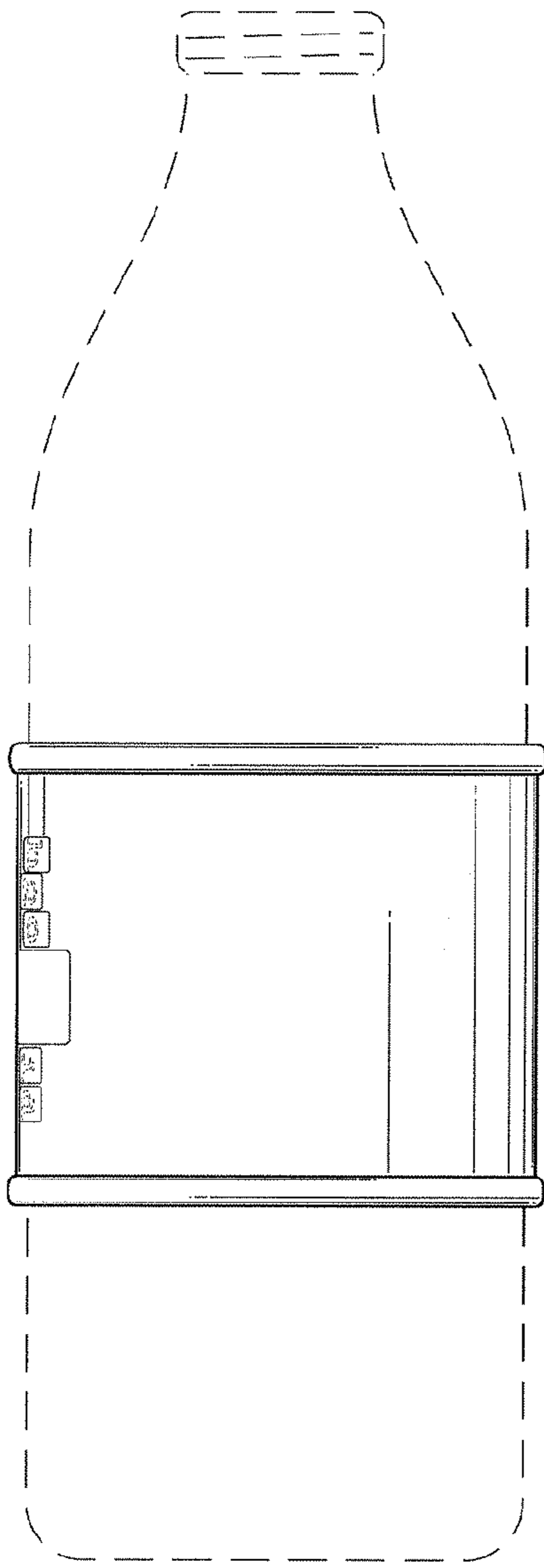


FIG. 4

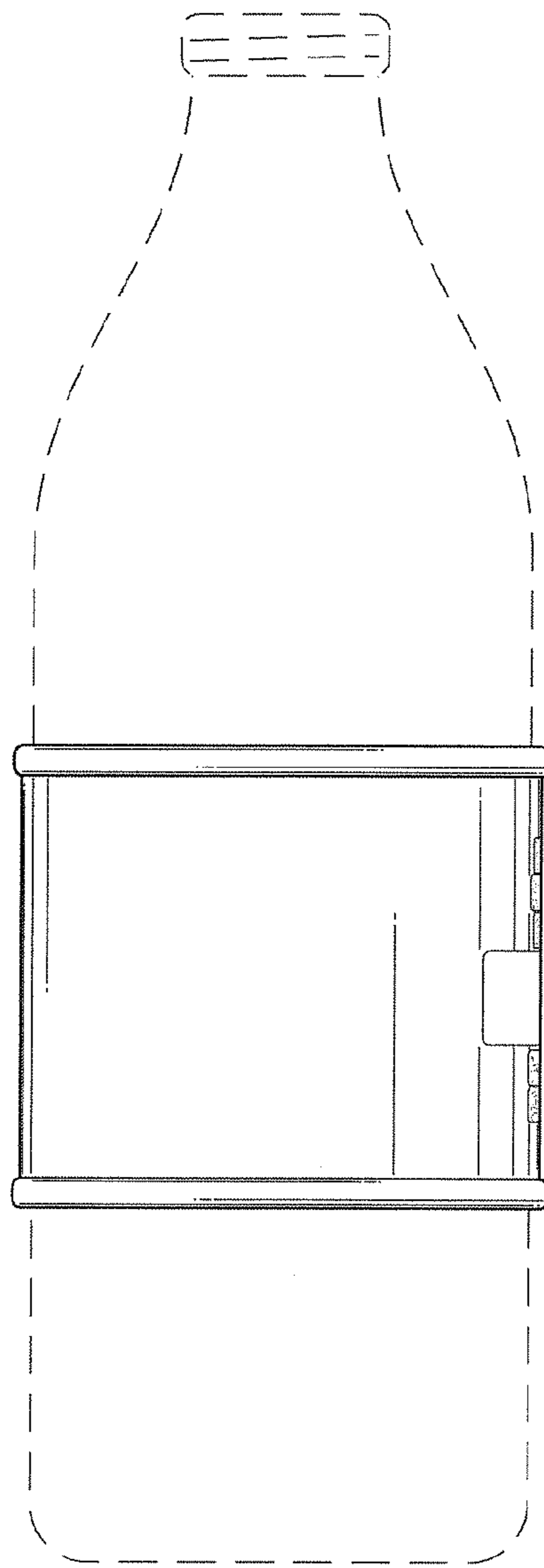


FIG. 5