



US00D651473S

(12) **United States Design Patent**  
**Cribb**

(10) **Patent No.:** **US D651,473 S**  
(45) **Date of Patent:** **\*\* Jan. 3, 2012**

(54) **CUP HOLDER ADAPTOR**

(76) Inventor: **Nancy J. Cribb**, Delray Beach, FL (US)

(\*\*) Term: **14 Years**

(21) Appl. No.: **29/356,295**

(22) Filed: **Feb. 23, 2010**

**Related U.S. Application Data**

(63) Continuation-in-part of application No. 12/263,549, filed on Nov. 3, 2008, now Pat. No. 8,015,943, and a continuation-in-part of application No. 12/201,207, filed on Aug. 29, 2008, now Pat. No. 7,634,973.

(51) **LOC (9) Cl.** ..... **07-06**

(52) **U.S. Cl.** ..... **D7/619.1; D7/624.2**

(58) **Field of Classification Search** ..... D7/619.1-625, D7/701, 707, 708; 211/71.01, 74; 248/311.2, 248/313; 119/61, 61.5, 61.53, 51.01, 72  
See application file for complete search history.

(56) **References Cited**

**U.S. PATENT DOCUMENTS**

2,990,080 A \* 6/1961 Harris ..... D7/619.1  
D193,730 S \* 10/1962 Schlumbohm ..... D7/399  
5,069,167 A \* 12/1991 Kasselmann ..... 119/61.53  
5,655,742 A \* 8/1997 Whitman et al. .... 248/311.2

D386,650 S \* 11/1997 Bennett et al. .... D7/624.2  
6,644,241 B2 \* 11/2003 Brown ..... 119/61.5  
7,147,192 B2 \* 12/2006 Kong ..... 248/311.2  
7,264,209 B2 \* 9/2007 Burk ..... 248/146  
D580,233 S \* 11/2008 Camarota et al. .... D7/619.1  
2003/0116094 A1 \* 6/2003 Dlin ..... 119/61  
\* cited by examiner

*Primary Examiner* — Terry Wallace

(74) *Attorney, Agent, or Firm* — Gold & Rizvi, P.A.; Glenn E. Gold; H. John Rizvi

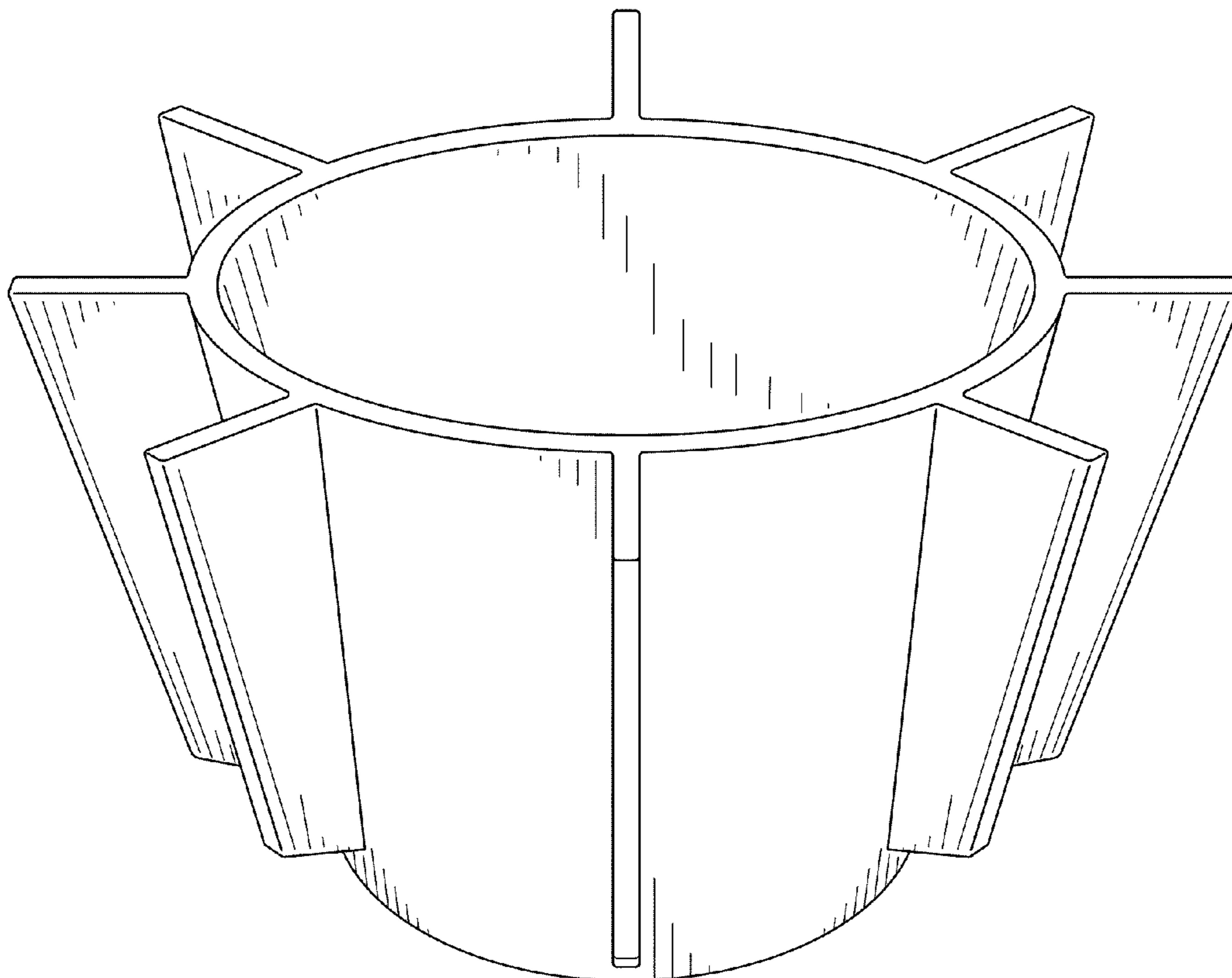
(57) **CLAIM**

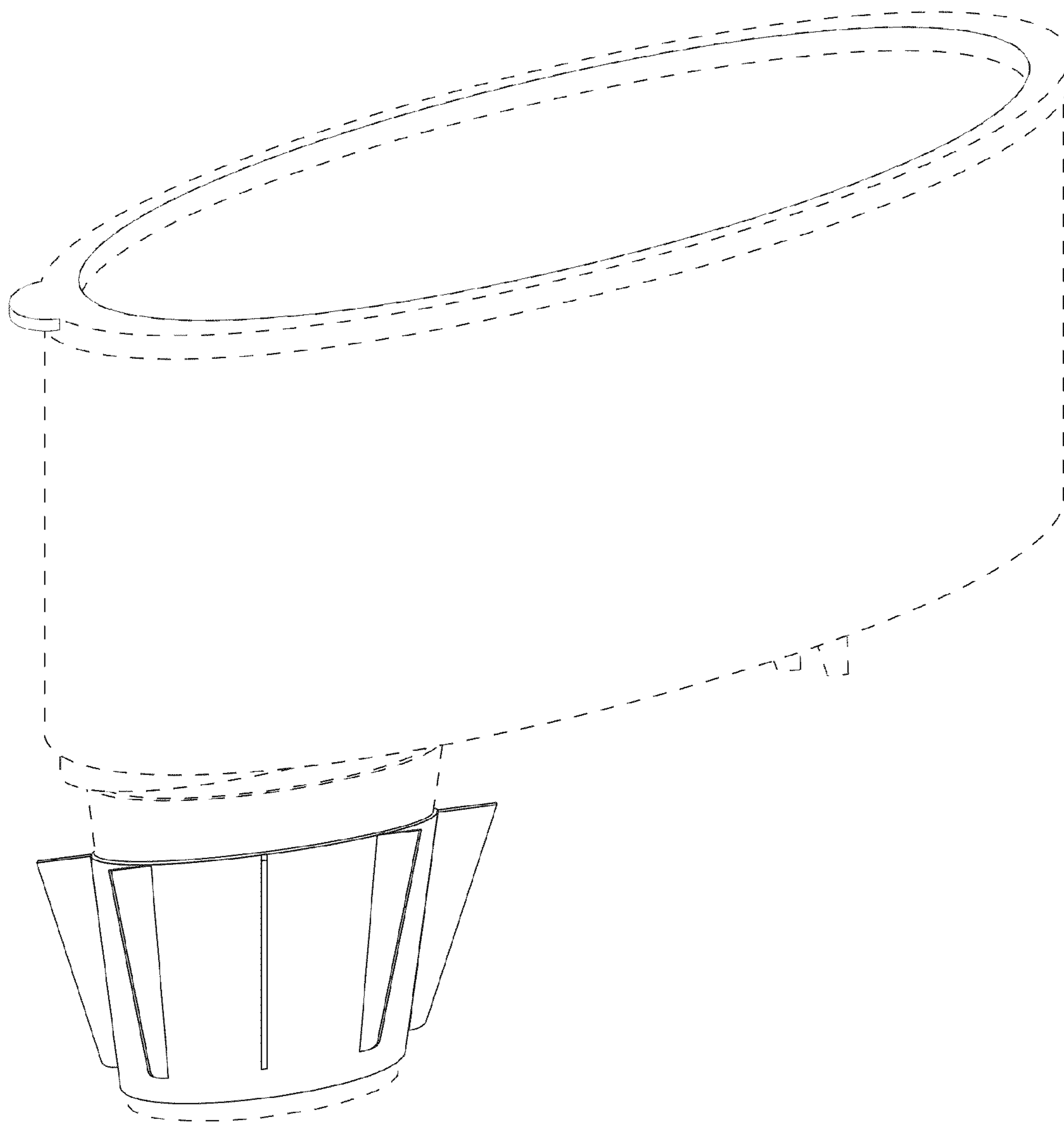
I claim the ornamental design for a cup holder adaptor, as shown and described.

**DESCRIPTION**

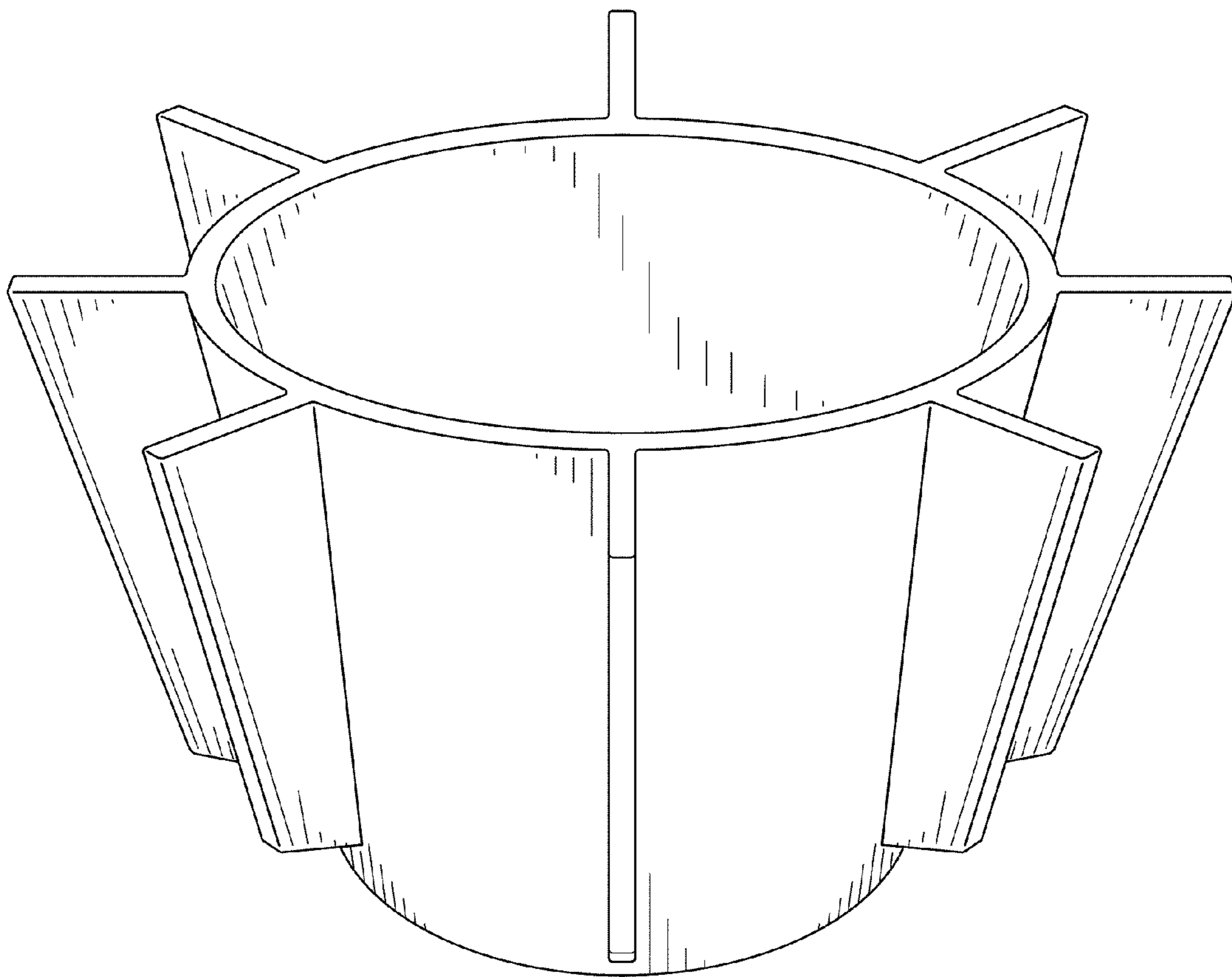
FIG. 1 is a perspective top, front view of a cup holder adaptor including a cup holder supported container in phantom, wherein the phantom lines illustrating the cup holder supported container do not form any part of the design;  
FIG. 2 is a perspective top, front view of the cup holder adaptor;  
FIG. 3 is a front view thereof;  
FIG. 4 is a rotated side view thereof, being 45 degrees from the front view;  
FIG. 5 is a top view thereof; and  
FIG. 6 is a bottom view thereof.

**1 Claim, 4 Drawing Sheets**

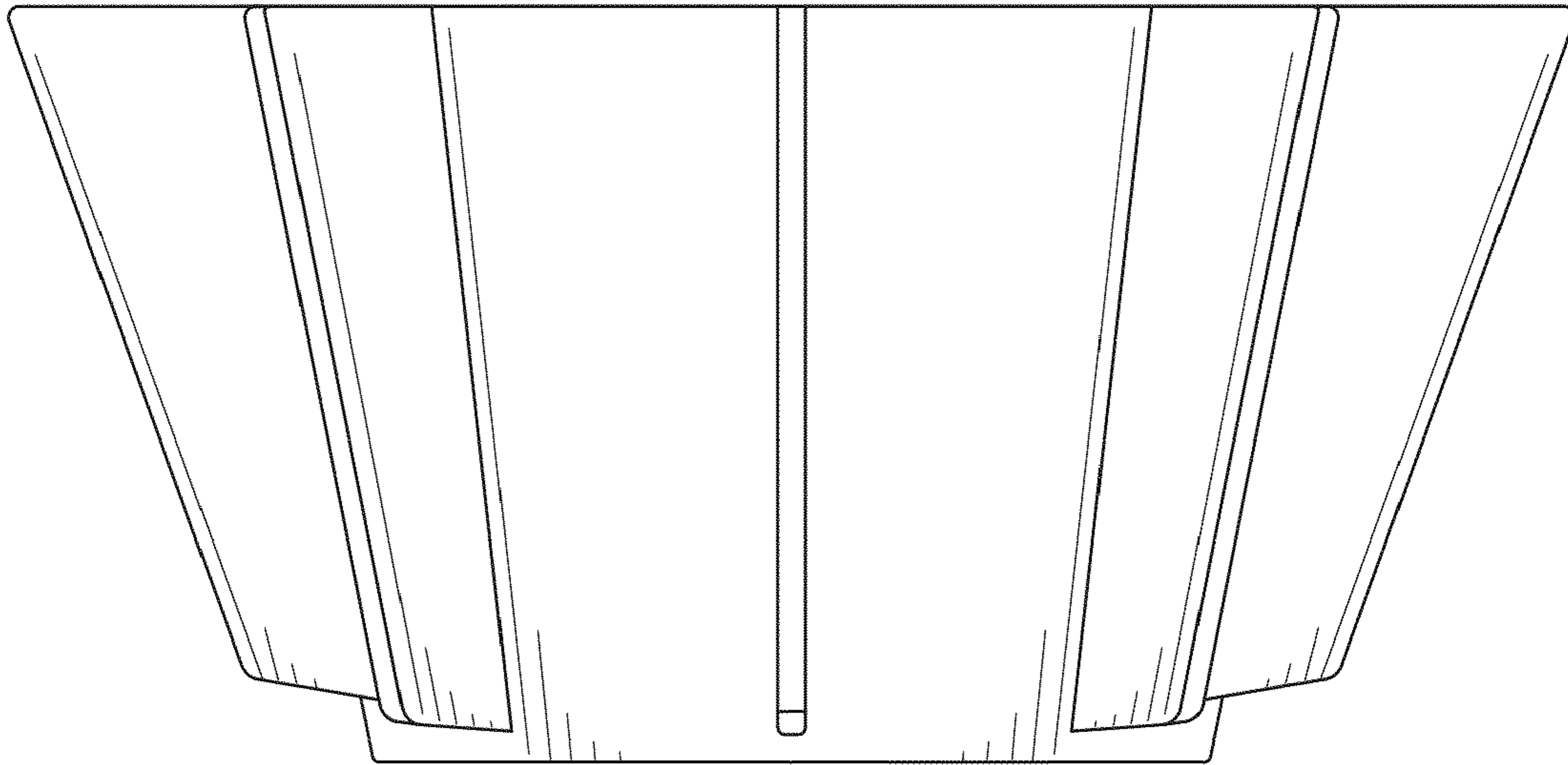




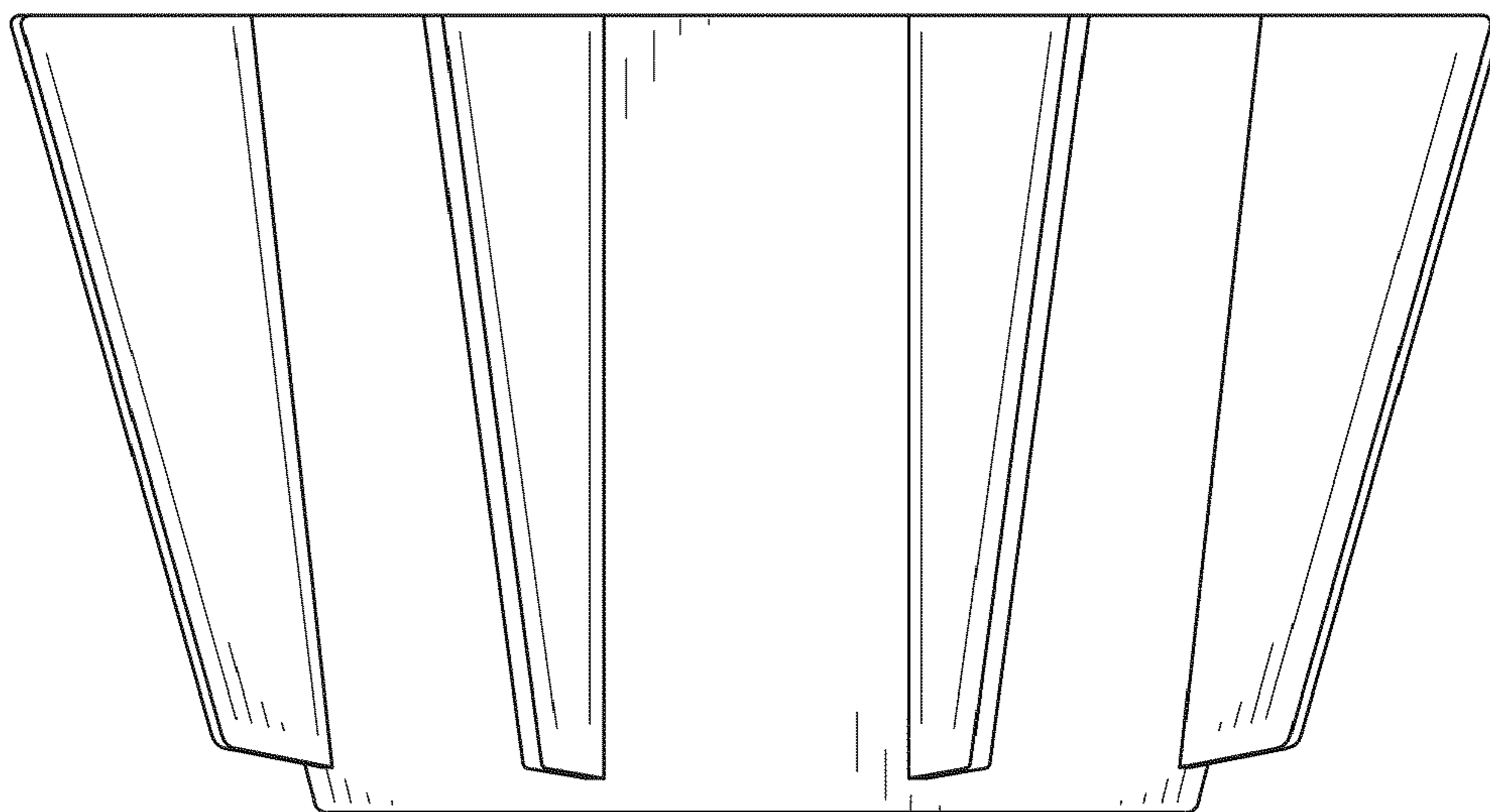
**FIG. 1**



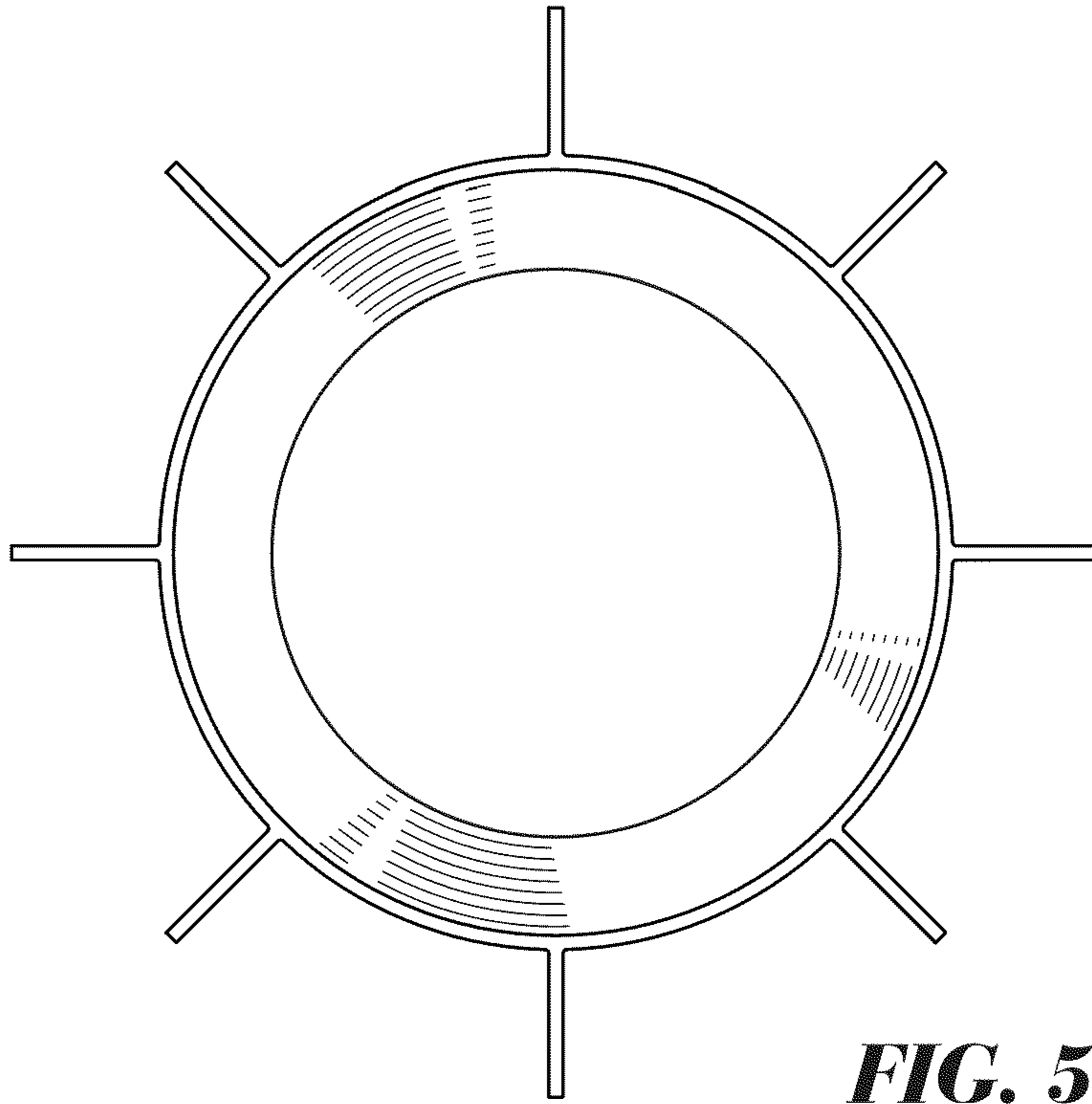
**FIG. 2**



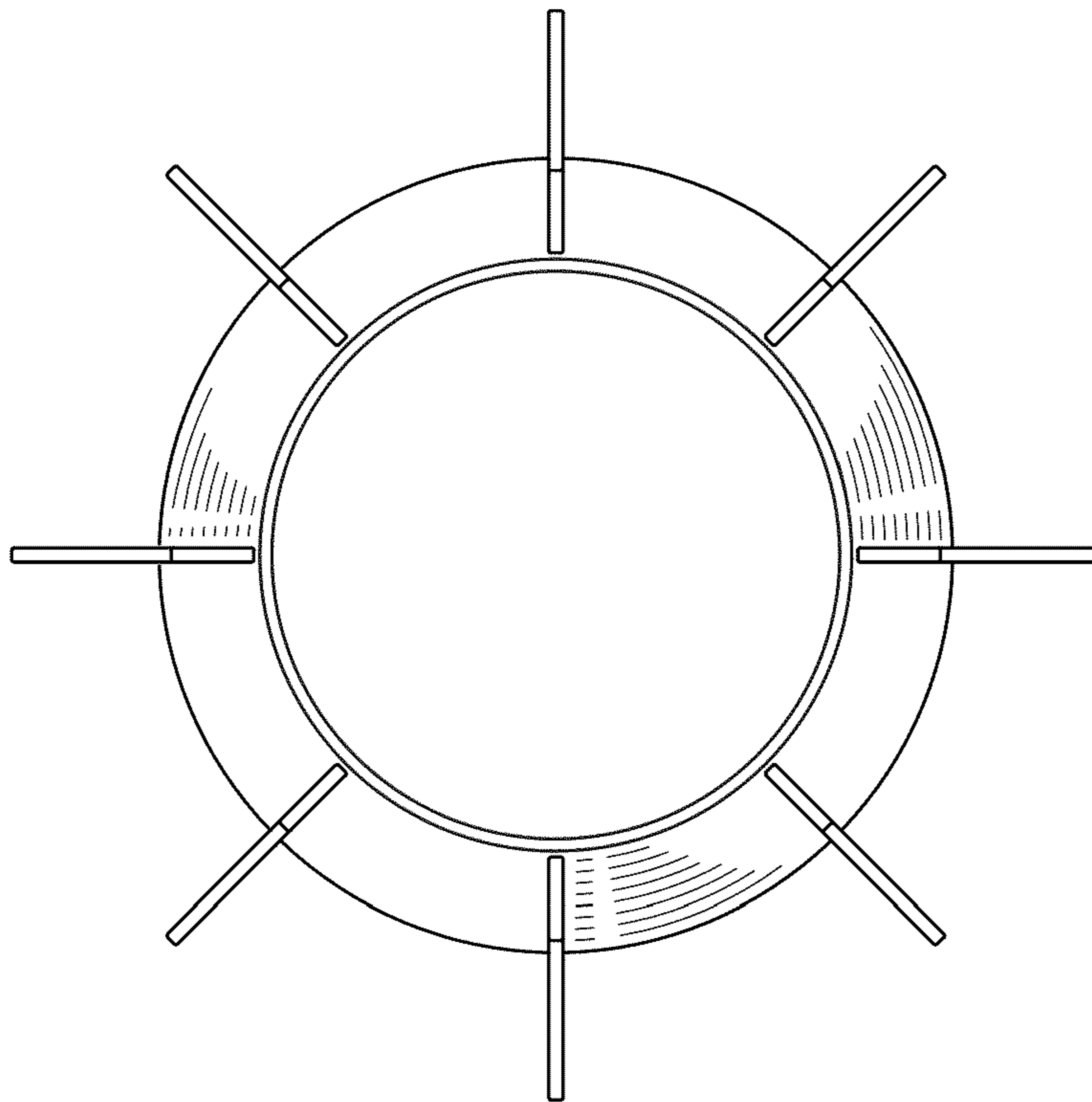
**FIG. 3**



**FIG. 4**



**FIG. 5**



**FIG. 6**