



US00D651470S

(12) **United States Design Patent**
Henderson et al.

(10) **Patent No.:** **US D651,470 S**
(45) **Date of Patent:** **** Jan. 3, 2012**

(54) **CONNECTABLE STORAGE CONTAINER**

(75) Inventors: **Scott Henderson**, Brooklyn, NY (US);
Janet Villano, Brooklyn, NY (US);
Ellen Diamant, New York, NY (US)

(73) Assignee: **Skip Hop, Inc.**, New York, NY (US)

(**) Term: **14 Years**

(21) Appl. No.: **29/389,373**

(22) Filed: **Apr. 11, 2011**

(51) **LOC (9) Cl.** **07-01**

(52) **U.S. Cl.** **D7/554.3**

(58) **Field of Classification Search** D7/538,
D7/543, 552.1, 553.2, 554.3, 601-602, 397-400;
219/621; 220/573.4, 780-781, 793; D9/414,
D9/424-426, 432

See application file for complete search history.

(56) **References Cited**

U.S. PATENT DOCUMENTS

D365,501 S *	12/1995	Daugherty et al.	D7/602
D448,246 S *	9/2001	Indekeu	D7/586
D457,784 S *	5/2002	Torniainen et al.	D7/552.1
D475,246 S *	6/2003	Jørgensen	D7/545
7,261,219 B2 *	8/2007	Tucker et al.	220/793
D588,859 S *	3/2009	Simon et al.	D7/354
D606,811 S *	12/2009	Furlong	D7/602
D611,807 S *	3/2010	Miga, Jr.	D9/424
D630,898 S *	1/2011	de Groote	D7/602
D630,901 S *	1/2011	Samartgis	D7/602
D631,299 S *	1/2011	Samartgis	D7/602
D631,300 S *	1/2011	Samartgis	D7/602
D632,135 S *	2/2011	Green-Cotton et al.	D7/587
D643,251 S *	8/2011	Stamper et al.	D7/602

* cited by examiner

Primary Examiner — Elizabeth Albert

Assistant Examiner — Kelley Donnelly

(74) *Attorney, Agent, or Firm* — Stites & Harbison PLLC;
Stephen J. Weyer

(57) **CLAIM**

The ornamental design for a connectable storage container, as shown and described.

DESCRIPTION

FIG. 1 is a perspective view taken from the top and front of a connectable storage container, in accordance with the present invention;

FIG. 2 is a left side elevational view of the connectable storage container of FIG. 1;

FIG. 3 is a right side elevational view of the connectable storage container of FIG. 1;

FIG. 4 is a bottom plan view of the connectable storage container of FIG. 1;

FIG. 5 is a top plan view of the connectable storage container of FIG. 1;

FIG. 6 is a front elevational view of the connectable storage container of FIG. 1;

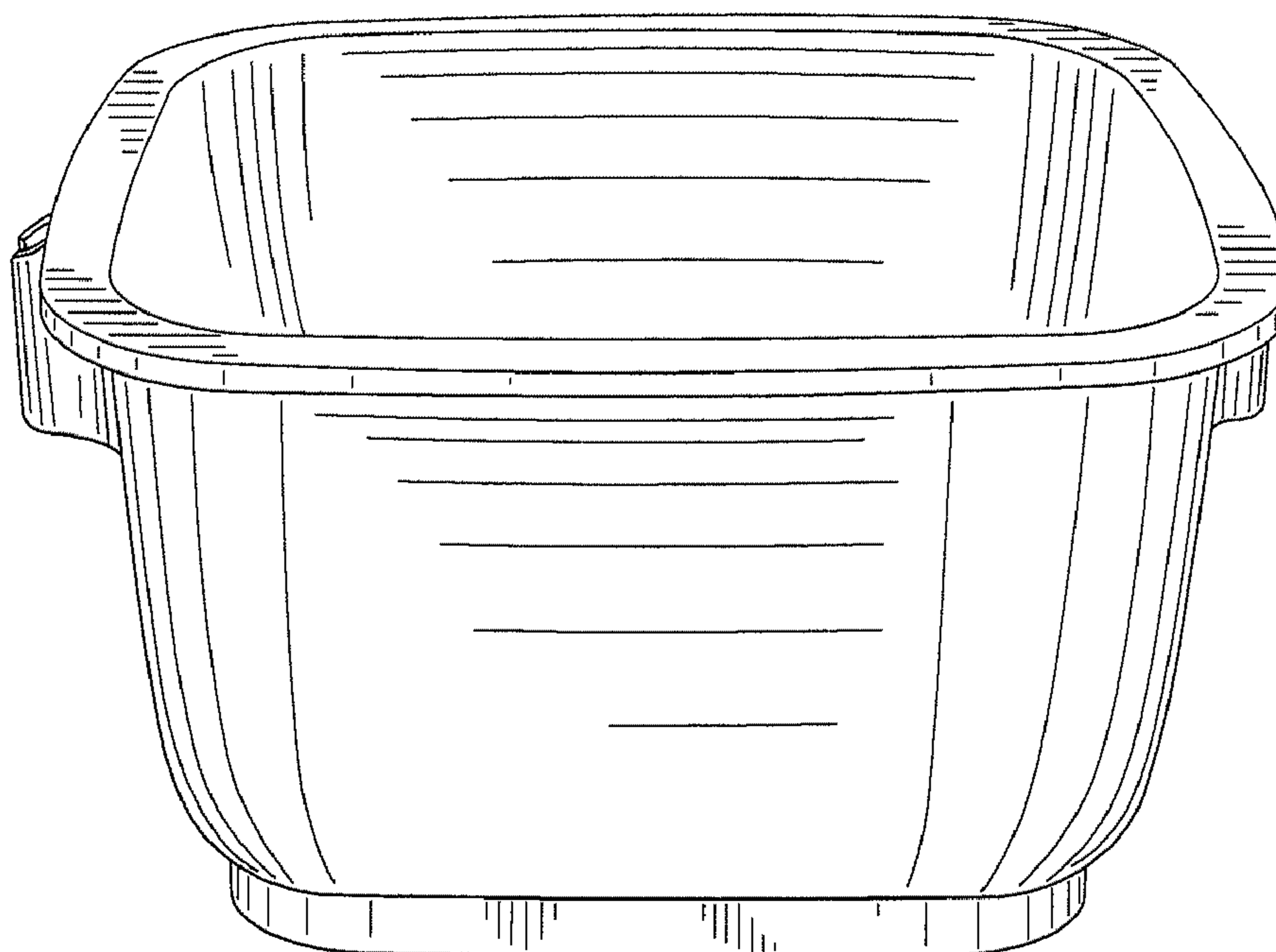
FIG. 7 is a rear elevational view of the connectable storage container of FIG. 1;

FIG. 8 is a perspective view taken from the top and front of the connectable storage container of FIG. 1 attached to a second, identical connectable storage container; and,

FIG. 9 is a top, front, perspective view thereof shown with a cover in broken lines.

The broken lines showing a connectable storage container in FIG. 8 are for the purpose of illustrating the environment of the article only and form no part of the claimed design.

1 Claim, 6 Drawing Sheets



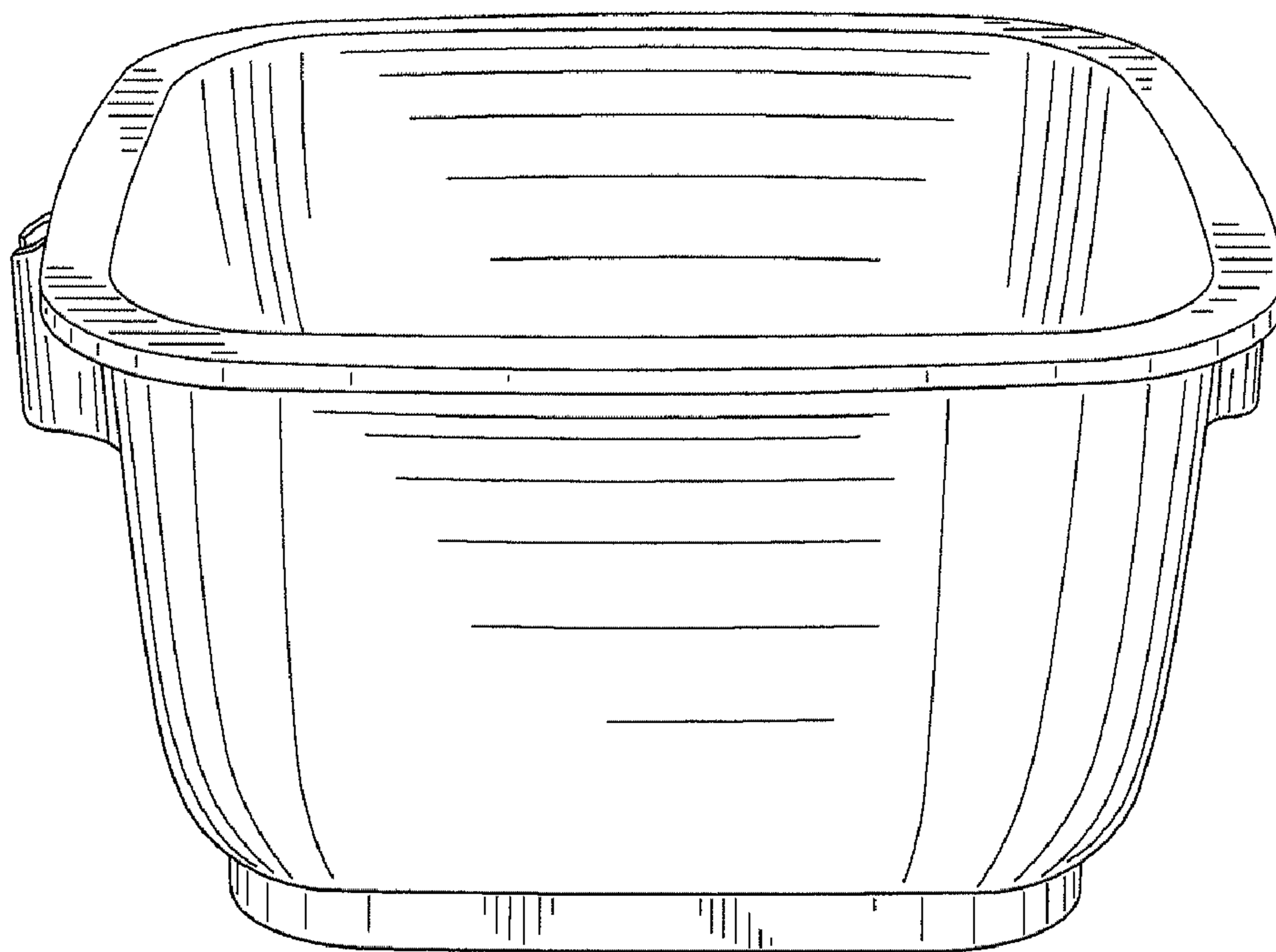


FIG. 1

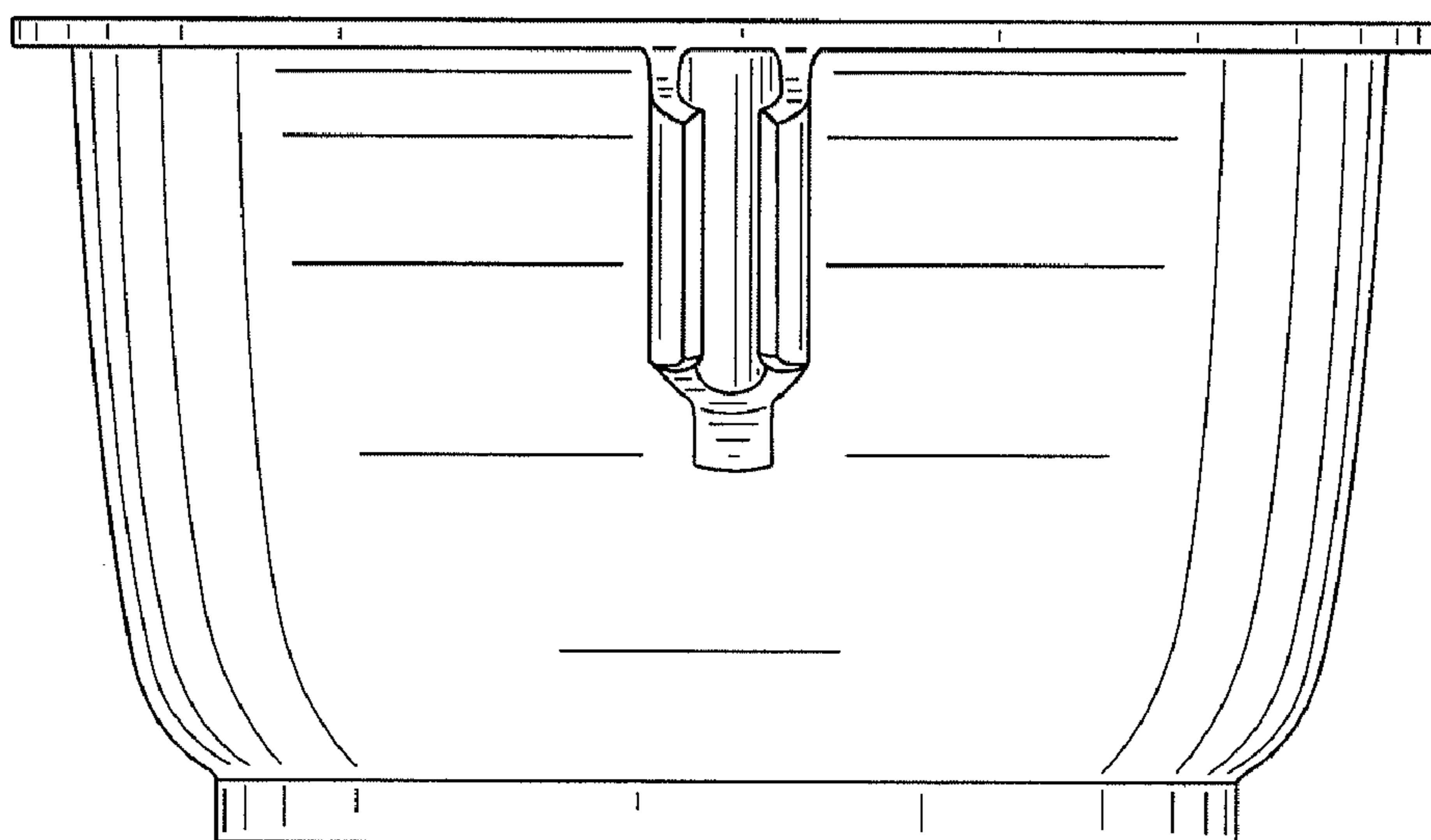


FIG. 2

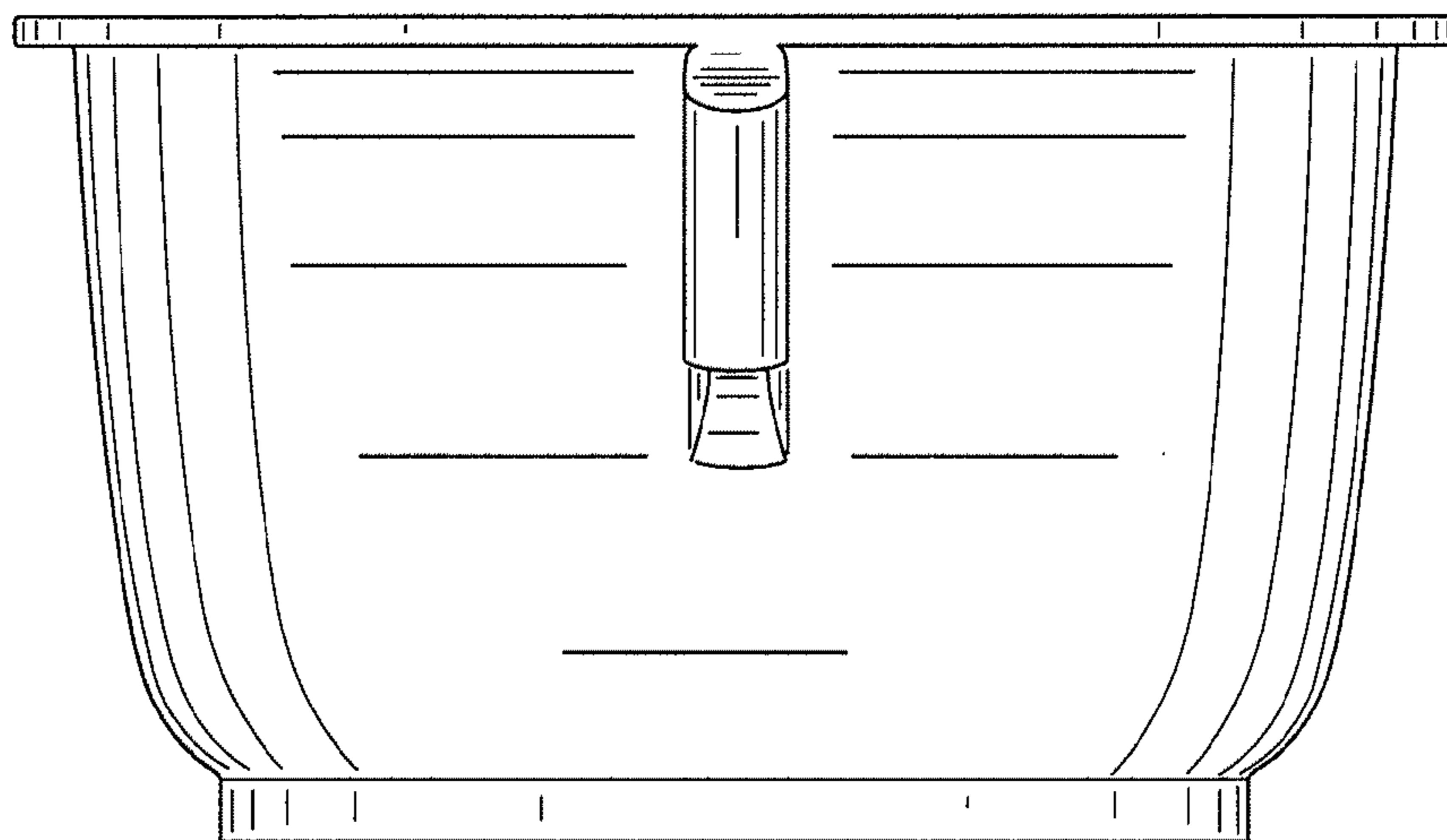


FIG. 3

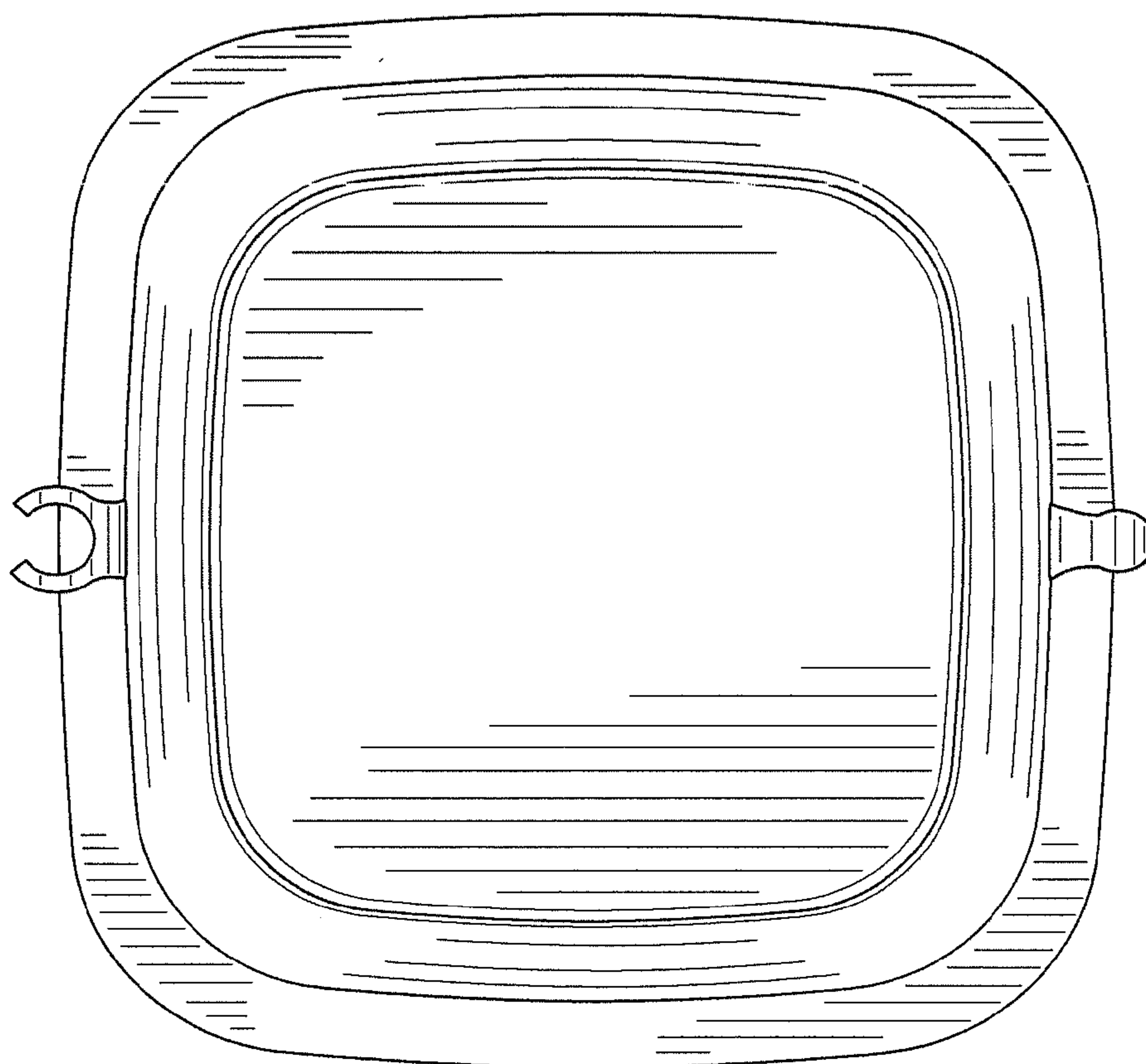


FIG. 4

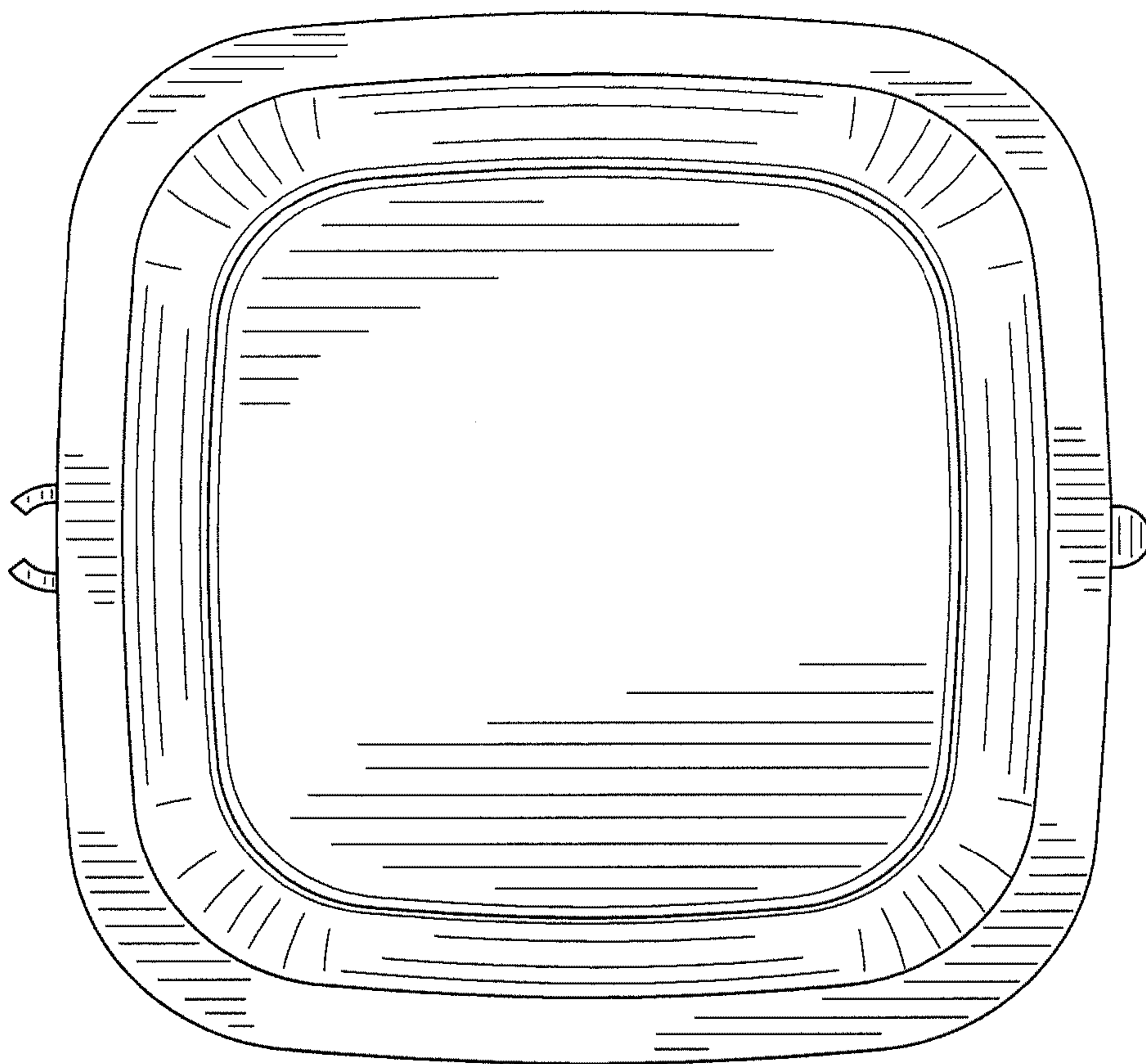


FIG. 5

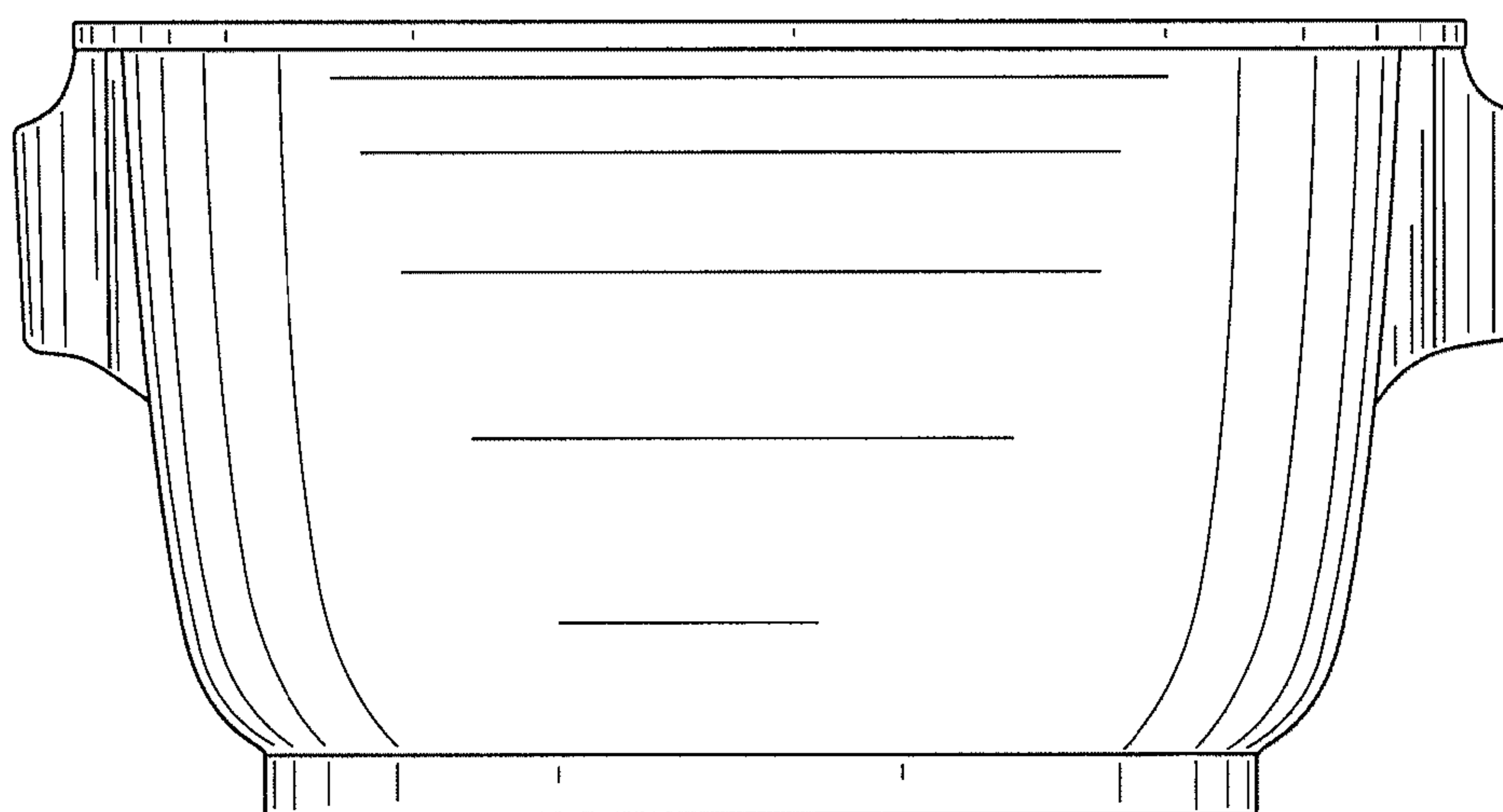


FIG. 6

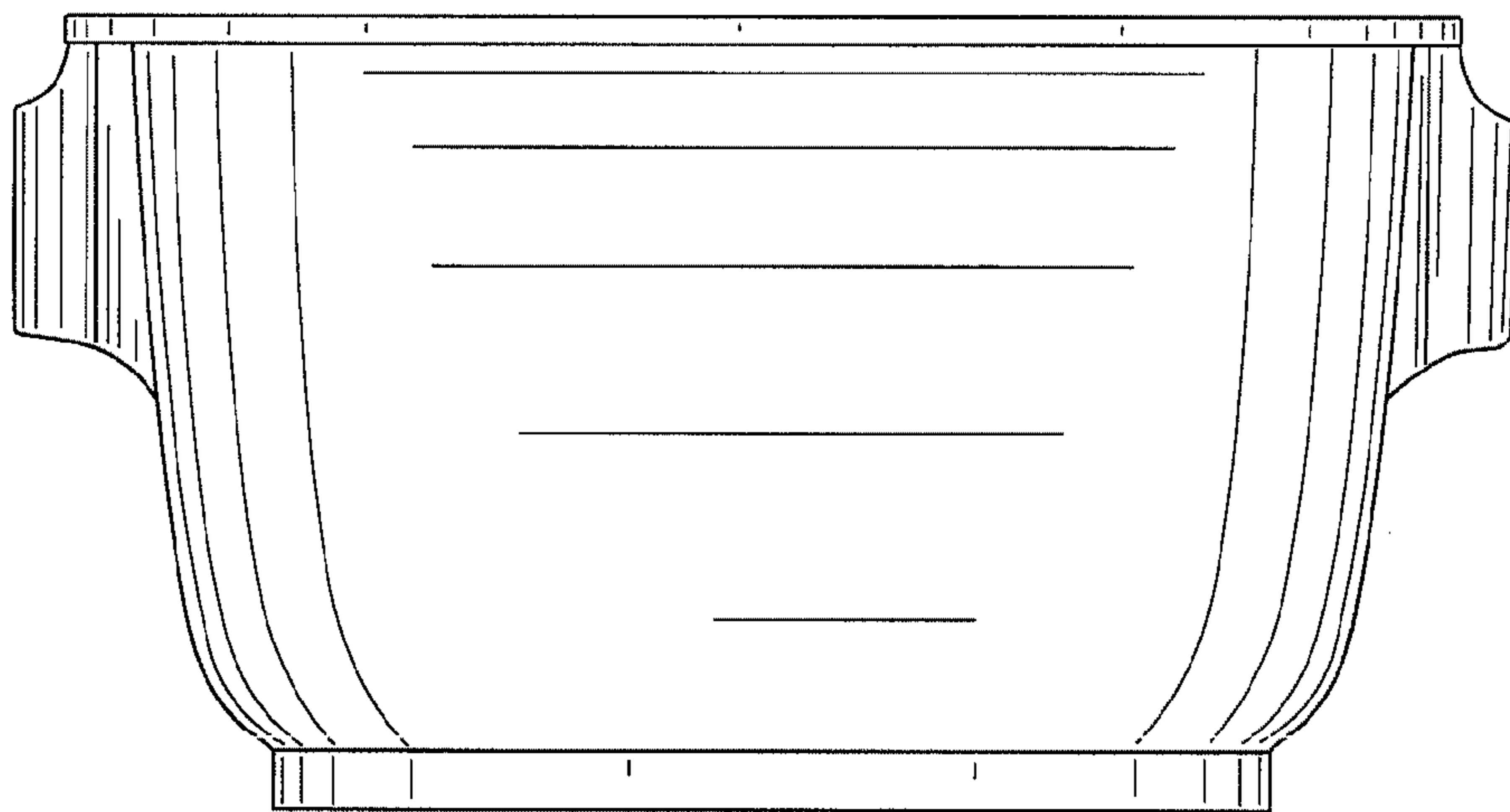


FIG. 7

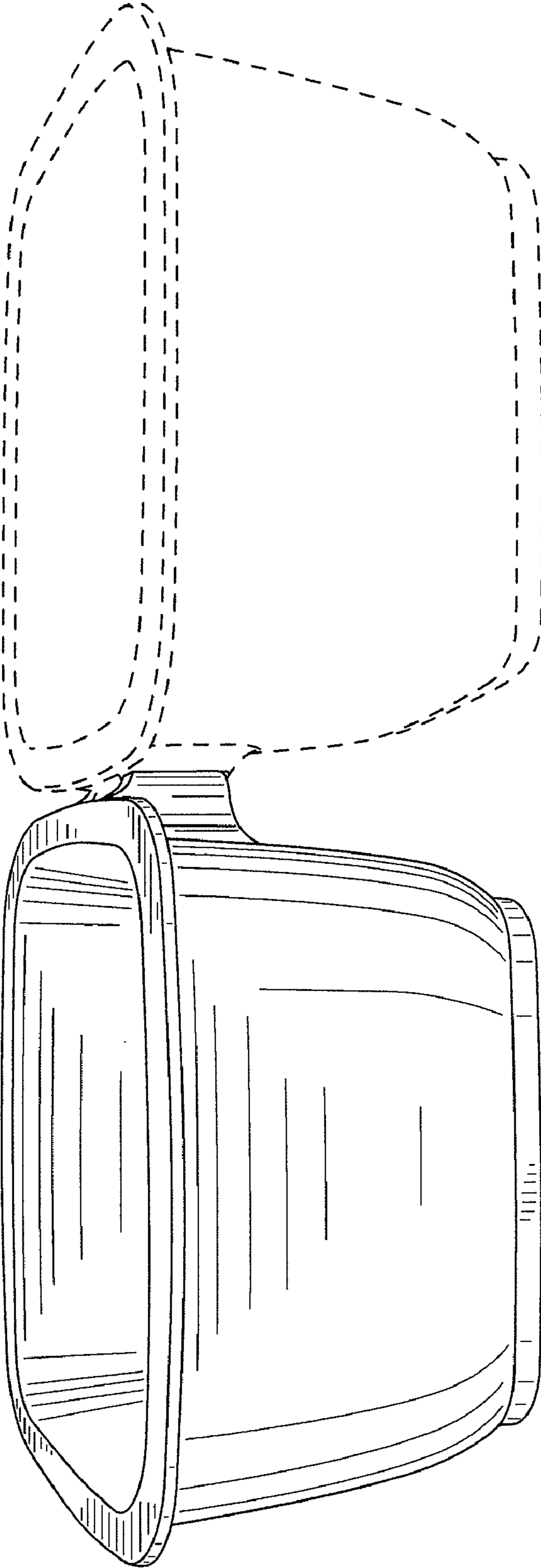


FIG.8

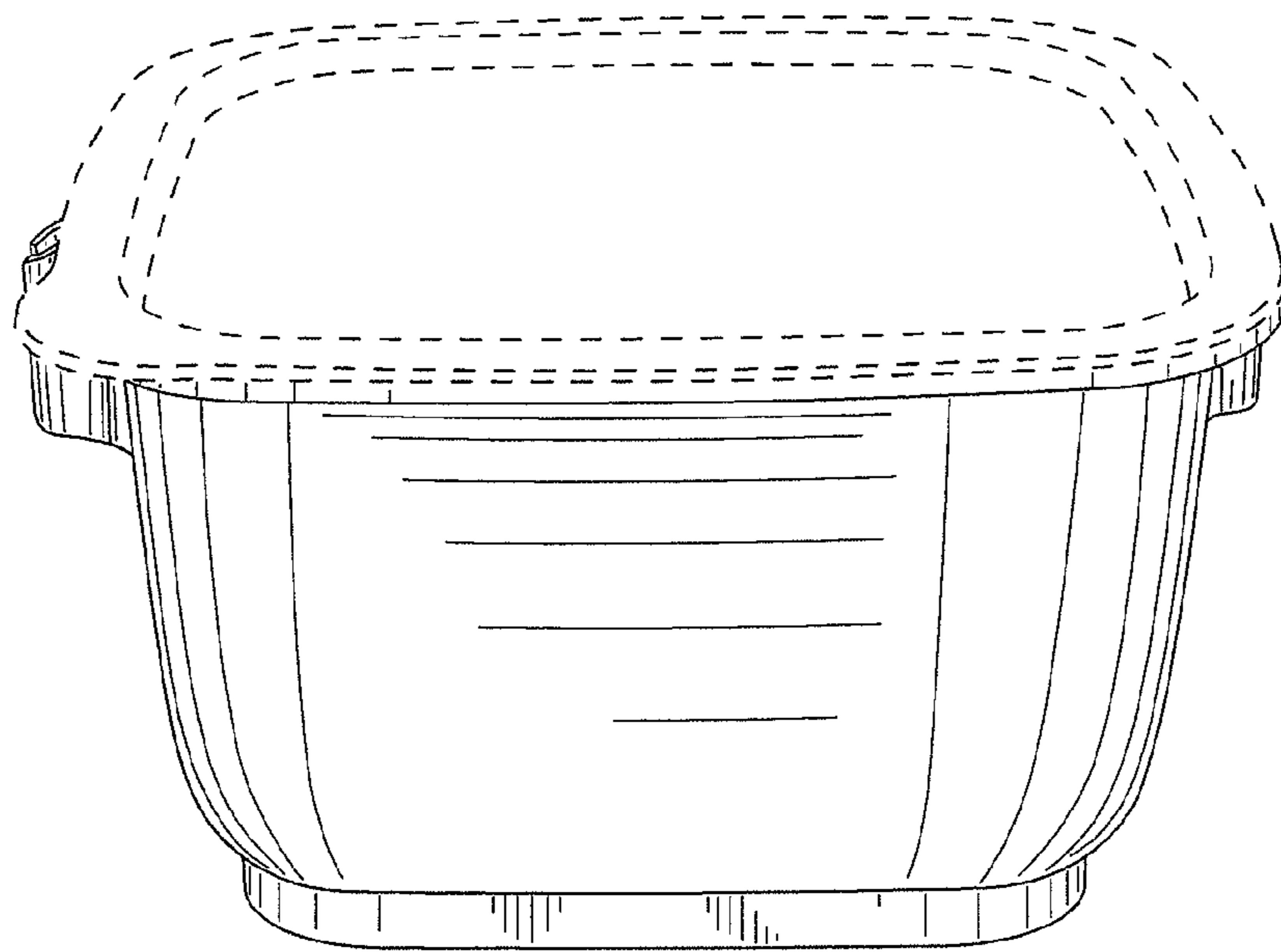


FIG. 9