



US00D651467S

(12) **United States Design Patent**
Bodum

(10) **Patent No.:** **US D651,467 S**
(45) **Date of Patent:** **** Jan. 3, 2012**

(54) **DOUBLE-WALL DRINKING GLASS**

(75) Inventor: **Jørgen Bodum**, Meggen (CH)

(73) Assignee: **Pi-Design AG**, Triengen (CH)

(**) Term: **14 Years**

(21) Appl. No.: **29/369,146**

(22) Filed: **Sep. 2, 2010**

(30) **Foreign Application Priority Data**

Mar. 4, 2010 (WO) DM/073 332

(51) **LOC (9) Cl.** **07-01**

(52) **U.S. Cl.** **D7/523; D7/509**

(58) **Field of Classification Search** D7/500,
D7/510, 511, 317, 316, 523, 412, 376, 608,
D7/532, 509; 215/121, 382, 388, 387; 220/674,
220/715, 713, 718, 592.16, 592.17, 709,
220/708; D9/551, 529

See application file for complete search history.

(56) **References Cited**

U.S. PATENT DOCUMENTS

1,771,186	A *	7/1930	Mock	62/457.3
3,269,144	A *	8/1966	Poris	62/457.3
3,730,385	A *	5/1973	Rost	206/520
5,076,463	A *	12/1991	McGraw	220/592.17
D438,430	S *	3/2001	Gabrhel	D7/523
D519,785	S	5/2006	Bodum	
D526,848	S	8/2006	Bodum	
D550,033	S	9/2007	Bodum	
D550,034	S	9/2007	Bodum	
D551,502	S	9/2007	Bodum	
D553,437	S	10/2007	Bodum	
D553,440	S *	10/2007	Bodum	D7/523
D553,909	S *	10/2007	Bodum	D7/523
D565,354	S *	4/2008	Bodum	D7/523
D565,902	S	4/2008	Bodum	
D565,903	S	4/2008	Bodum	
D566,471	S	4/2008	Bodum	
D568,685	S	5/2008	Bodum	
D577,260	S	9/2008	Bodum	

(Continued)

OTHER PUBLICATIONS

Excerpt from Bodum catalogue 2009, pp. 66 to 74 (published Jan. 2009).

Primary Examiner — Cynthia Underwood

(74) *Attorney, Agent, or Firm* — Sughrue Mion, PLLC

(57) **CLAIM**

The ornamental design for a double-wall drinking glass, as shown and described.

DESCRIPTION

FIG. 1 is a perspective view of a double-wall drinking glass showing a first embodiment of my new design;

FIG. 2 is a front elevation view thereof;

FIG. 3 is a rear elevation view thereof;

FIG. 4 is a right side elevation view thereof

FIG. 5 is a left side elevation view thereof;

FIG. 6 is a top view thereof;

FIG. 7 is a bottom view thereof; and

FIG. 8 is a section view thereof.

FIG. 9 is a perspective view of a double-wall drinking glass showing a second embodiment of my new design;

FIG. 10 is a front elevation view thereof;

FIG. 11 is a rear elevation view thereof;

FIG. 12 is a right side elevation view thereof;

FIG. 13 is a left side elevation view thereof;

FIG. 14 is a top view thereof;

FIG. 15 is a bottom view thereof; and

FIG. 16 is a section view thereof.

FIG. 17 is a perspective view of a double-wall drinking glass showing a third embodiment of my new design;

FIG. 18 is a front elevation view thereof;

FIG. 19 is a rear elevation view thereof;

FIG. 20 is a right side elevation view thereof;

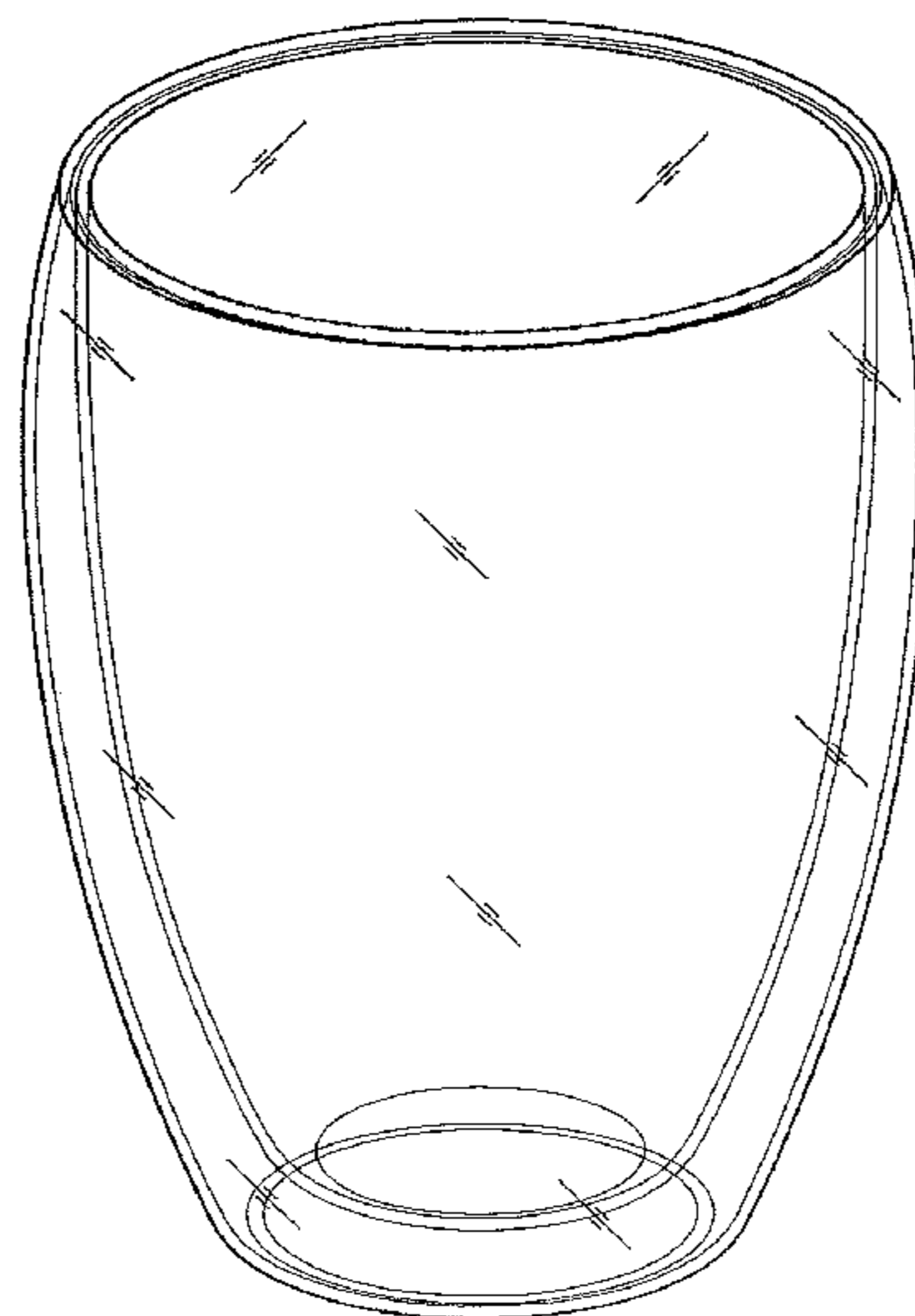
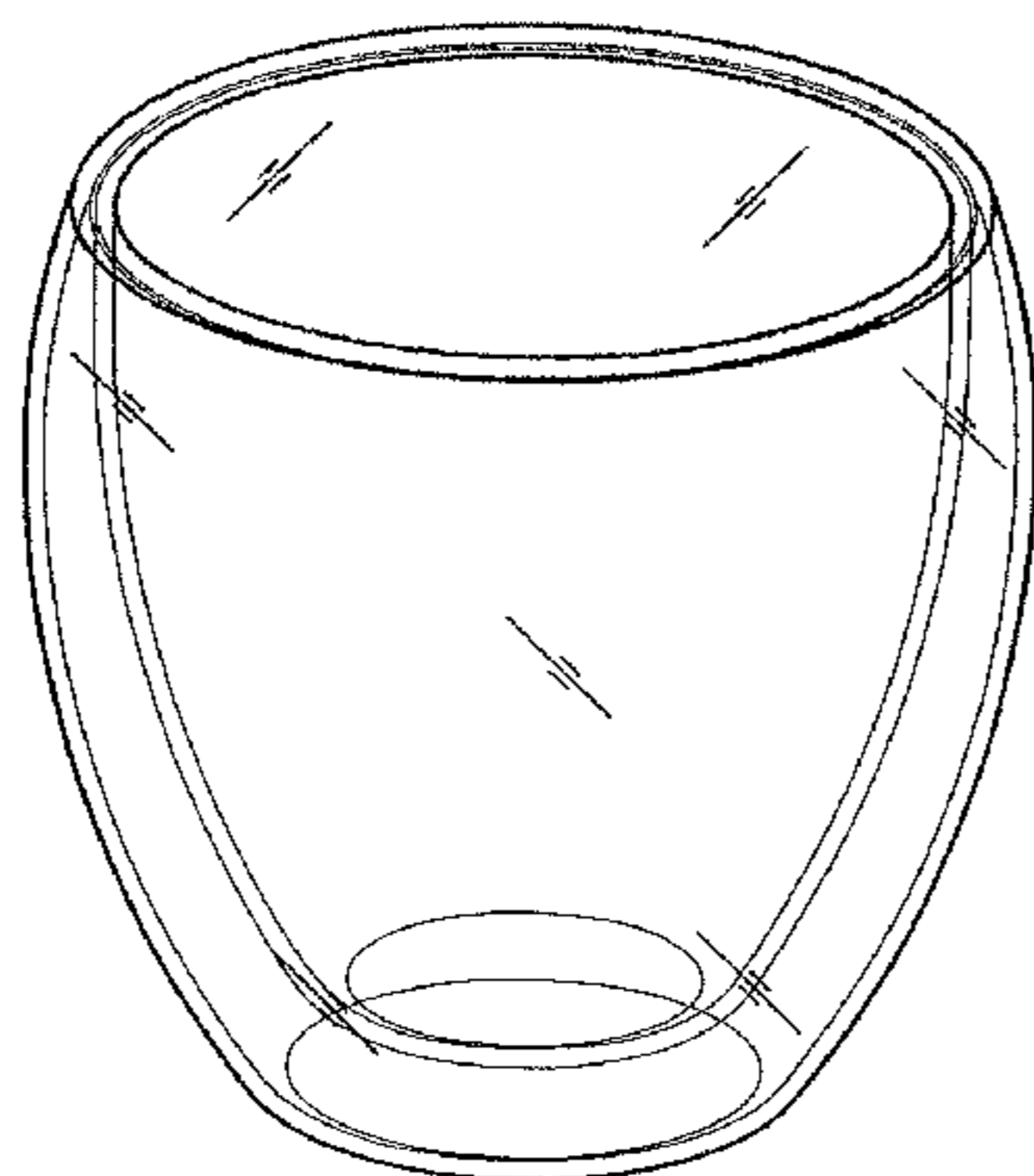
FIG. 21 is a left side elevation view thereof;

FIG. 22 is a top view thereof;

FIG. 23 is a bottom view thereof; and,

FIG. 24 is a section view thereof.

1 Claim, 24 Drawing Sheets



US D651,467 S

Page 2

U.S. PATENT DOCUMENTS

D581,739 S	12/2008	Bodum	
D582,580 S *	12/2008	Spangler et al.	D26/9
D583,194 S *	12/2008	Pourounidis et al.	D7/565
D597,791 S *	8/2009	Lion et al.	D7/523
D597,792 S *	8/2009	Lion et al.	D7/523
D613,996 S *	4/2010	Ross	D7/523
D614,917 S *	5/2010	Calco	D7/509
D618,964 S *	7/2010	Eisenhardt	D7/523
D622,104 S *	8/2010	Ross	D7/523
D622,548 S *	8/2010	Jensen et al.	D7/523
D628,340 S *	11/2010	Krause	D26/128
D631,294 S *	1/2011	Ross	D7/523
D634,159 S *	3/2011	Bodum	D7/509
D637,456 S *	5/2011	Creech et al.	D7/523

* cited by examiner

Figure 1

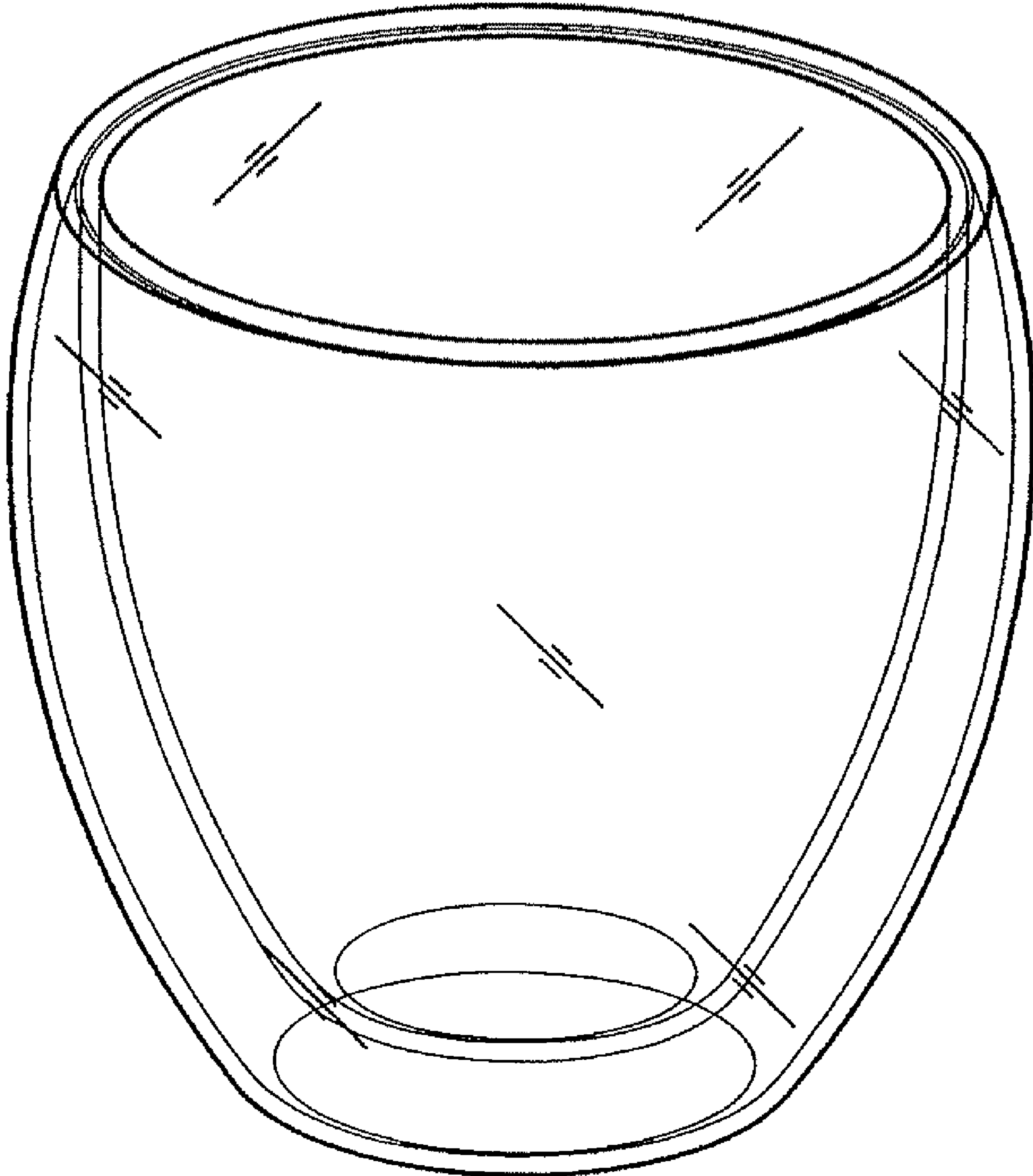


Figure 2

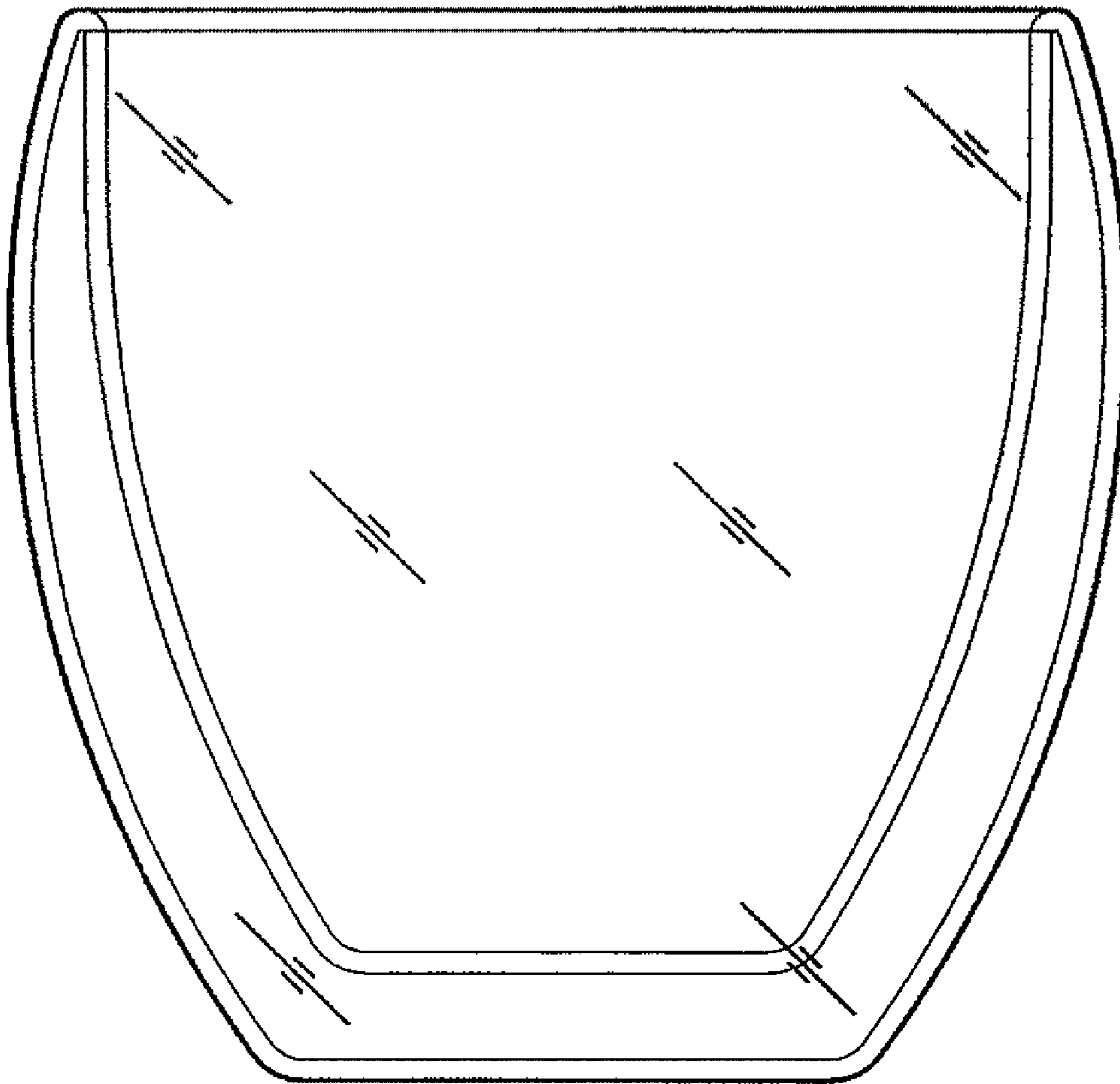


Figure 3

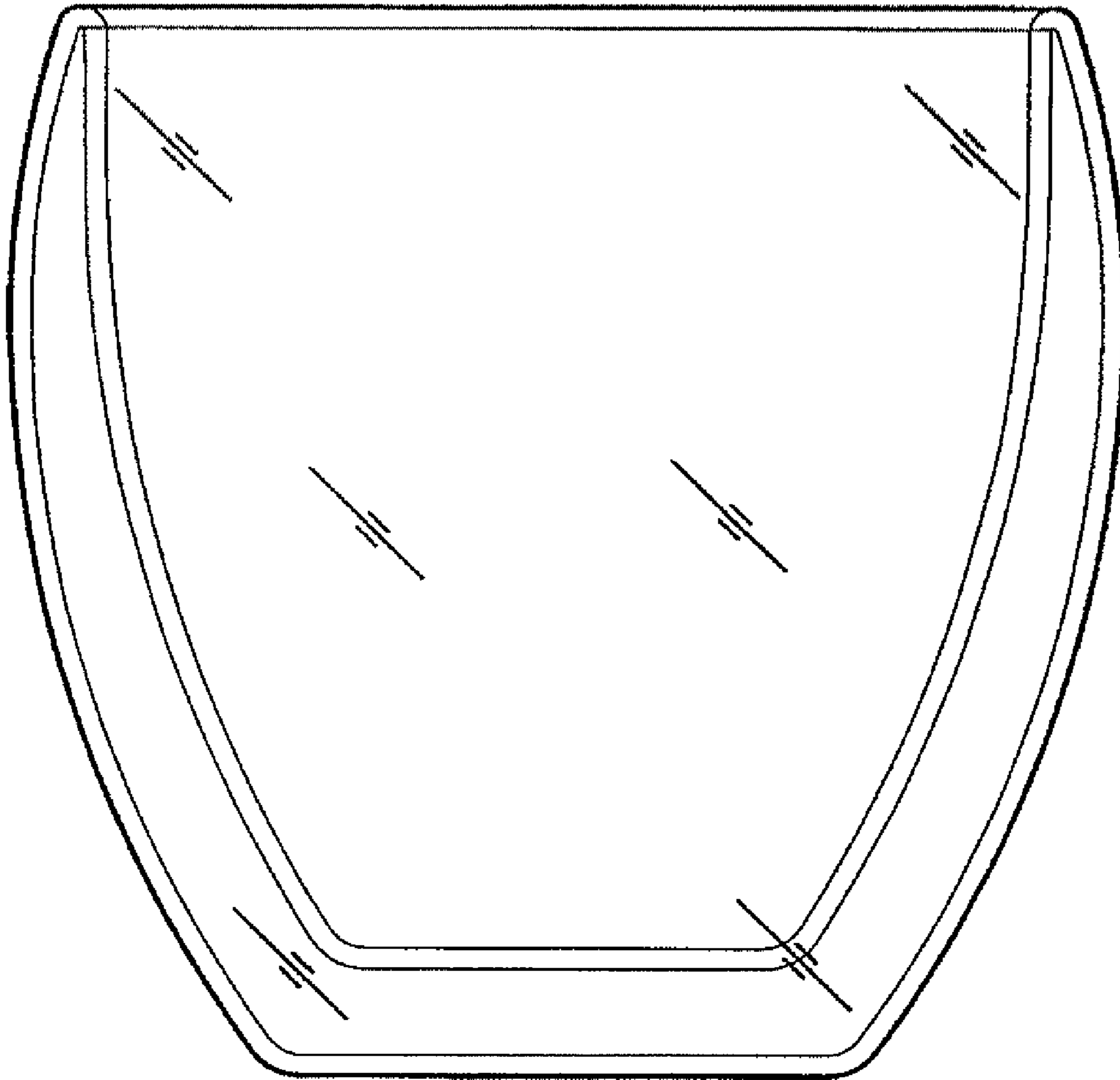


Figure 4

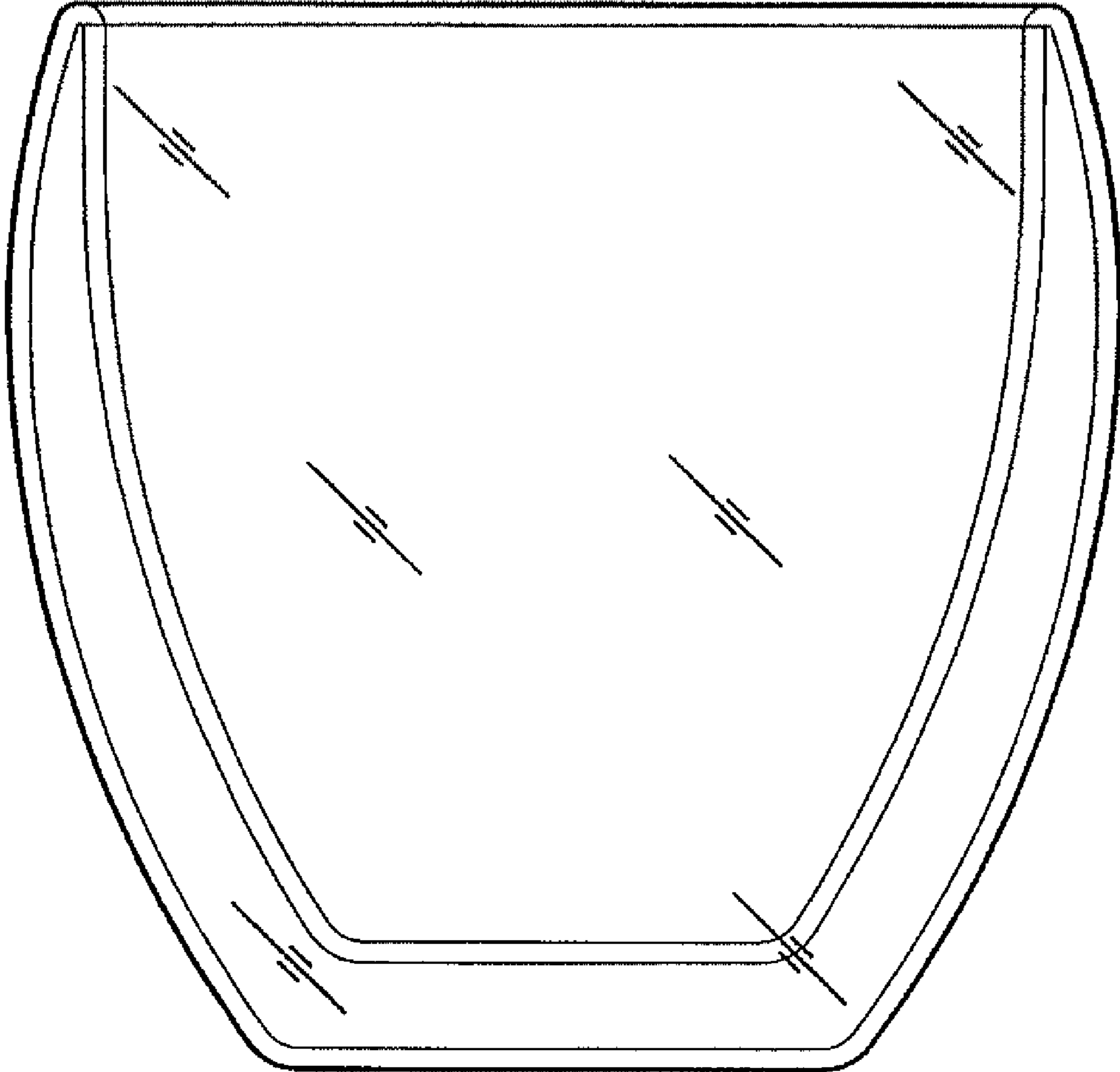


Figure 5

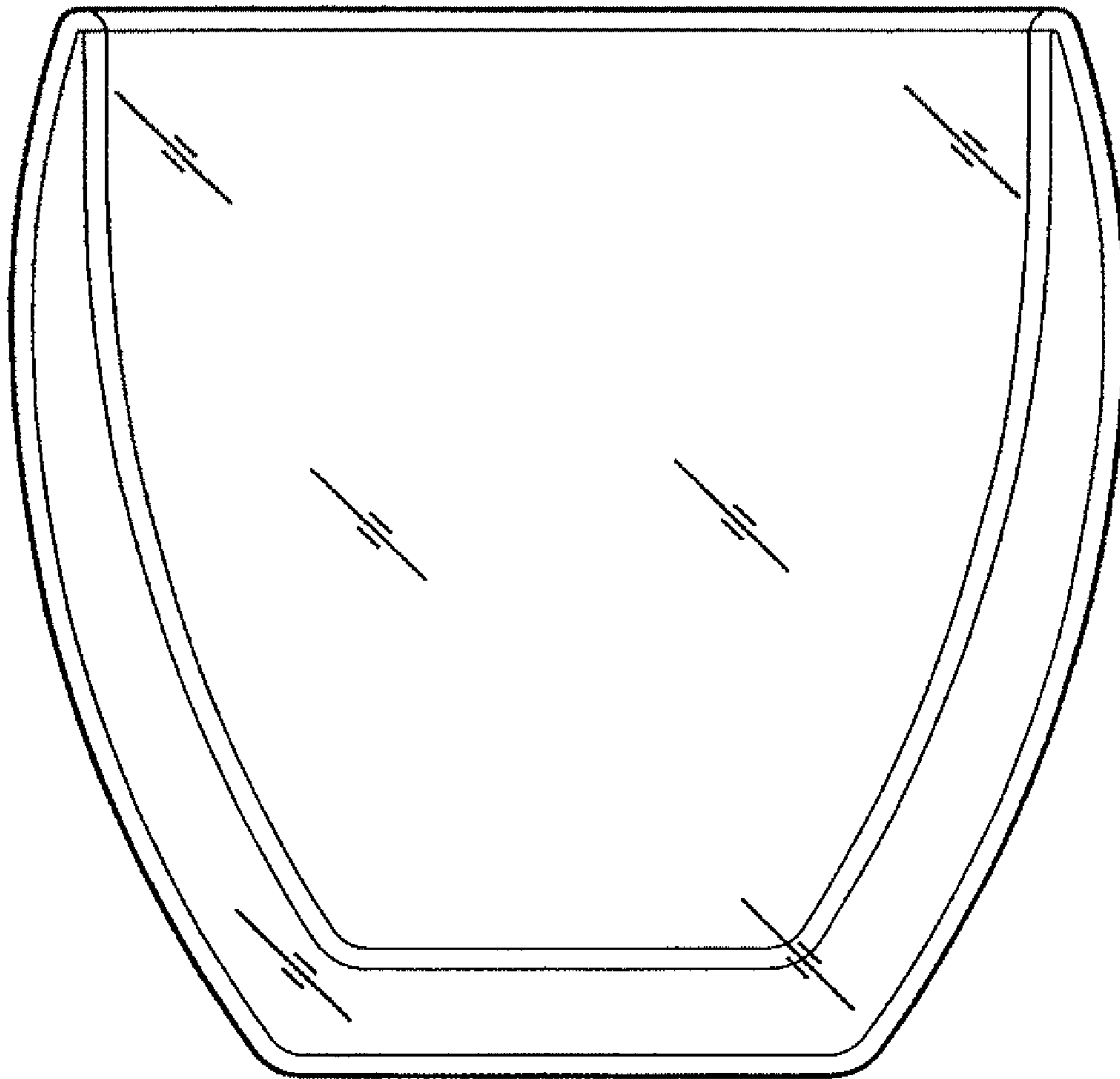


Figure 6

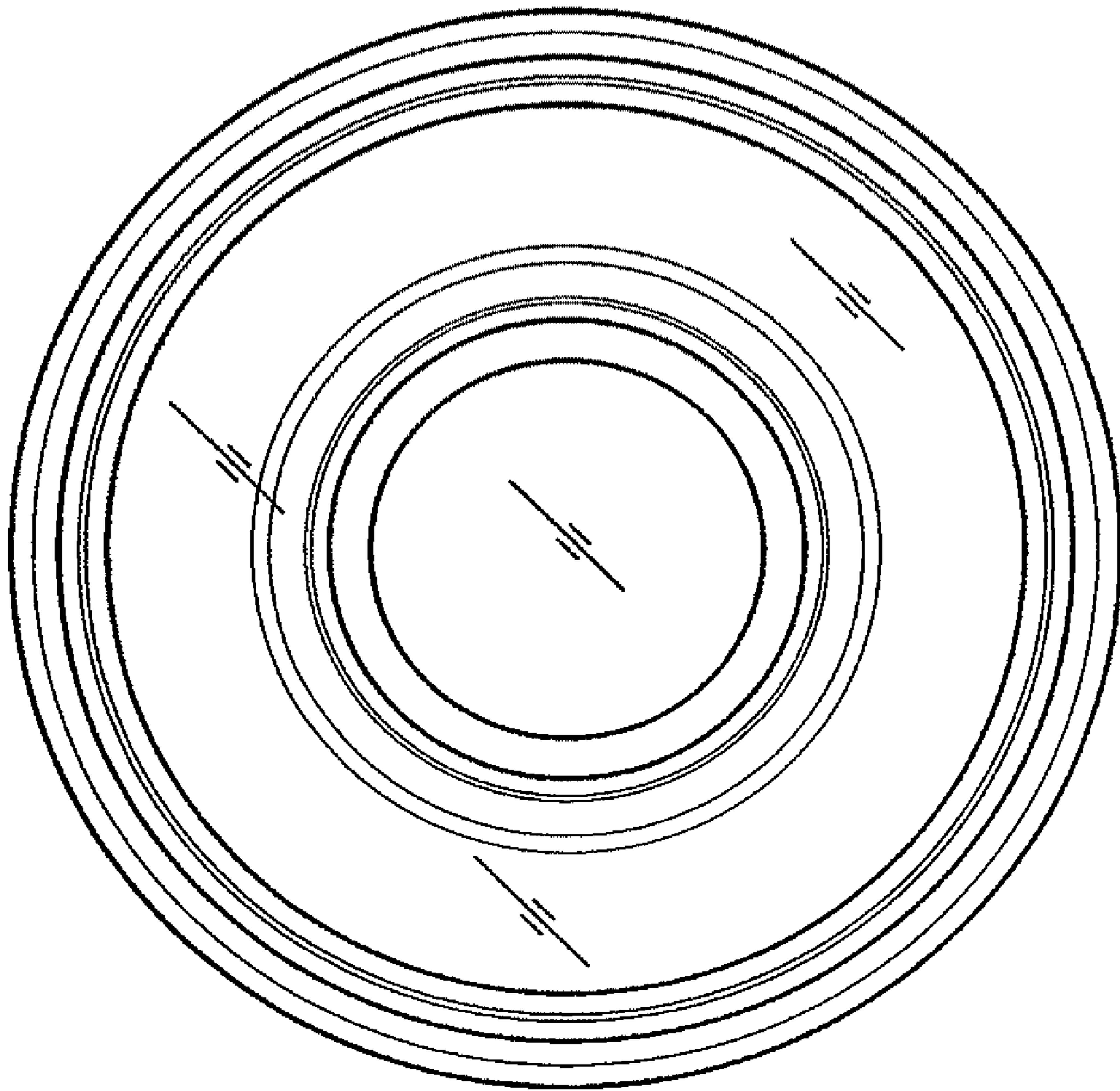


Figure 7

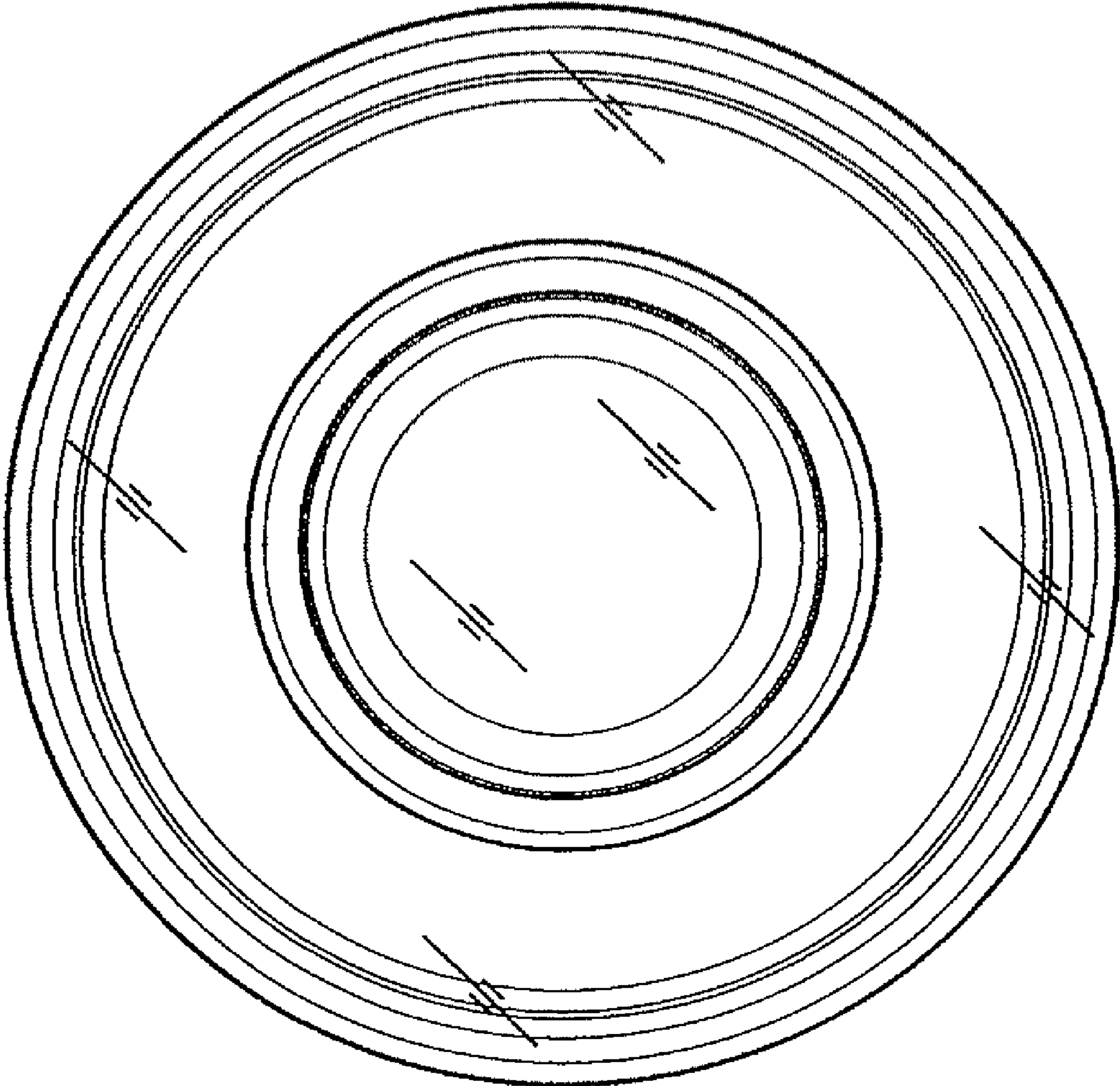


Figure 8

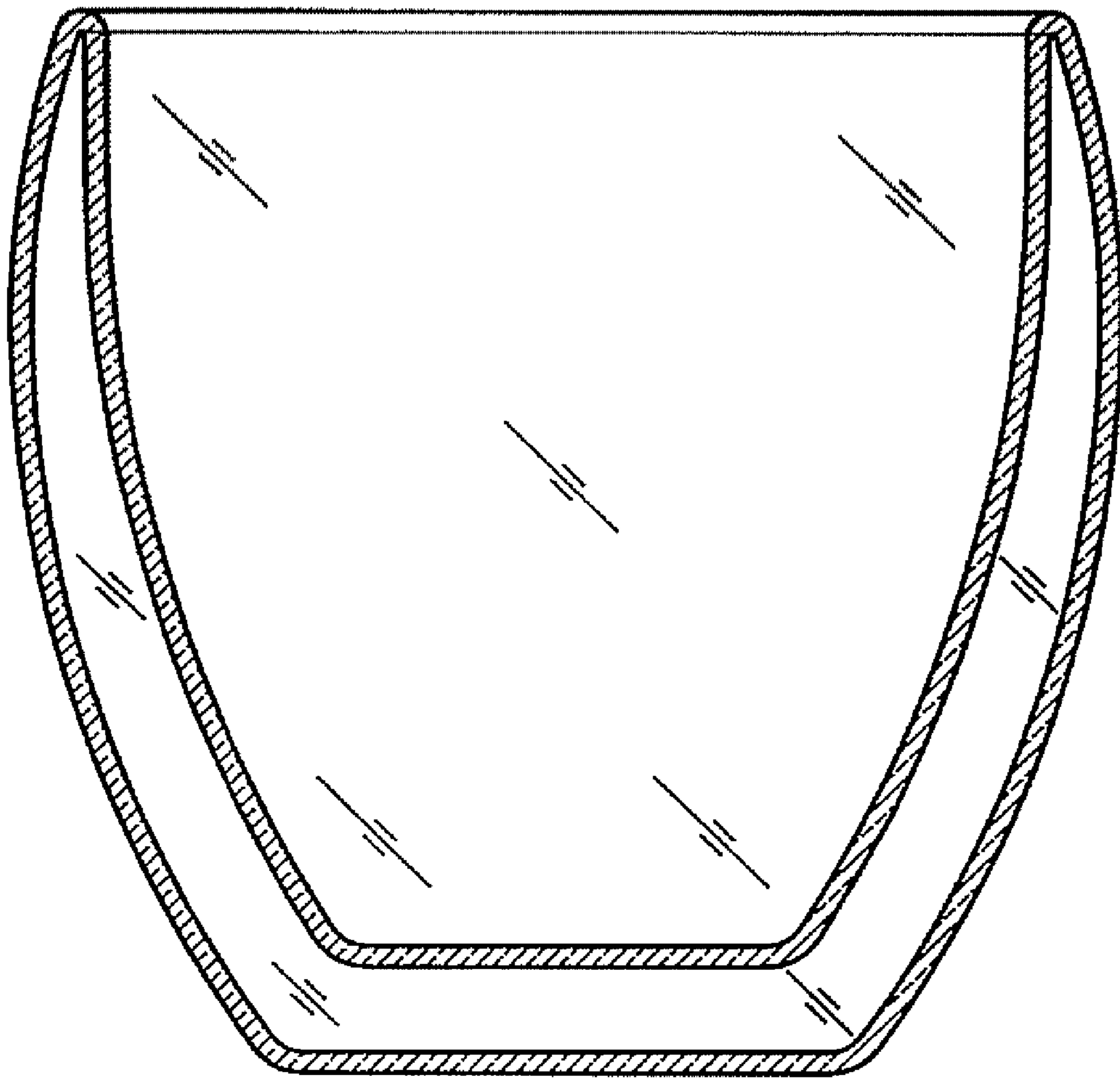


Figure 9

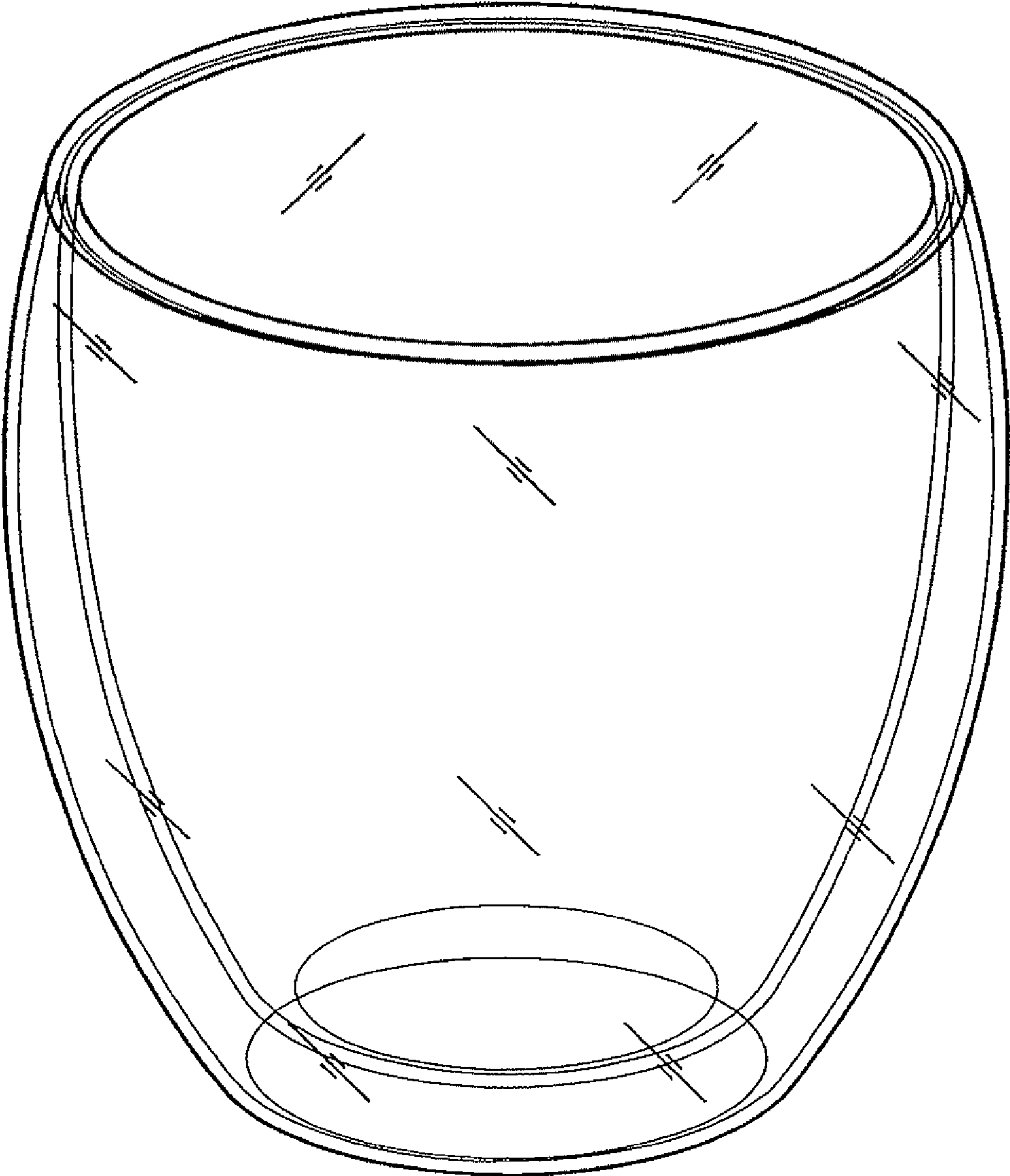


Figure 10

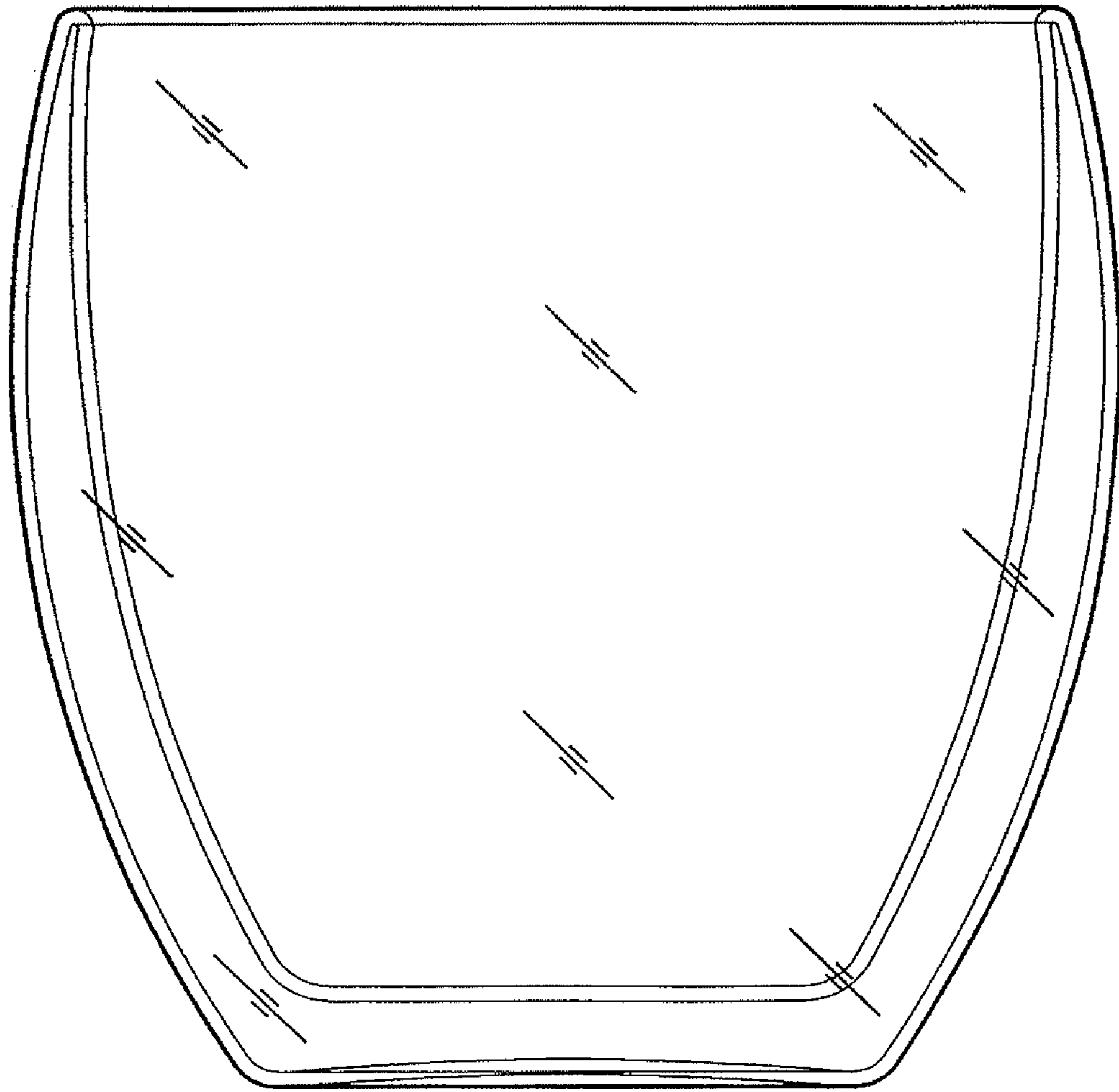


Figure 11

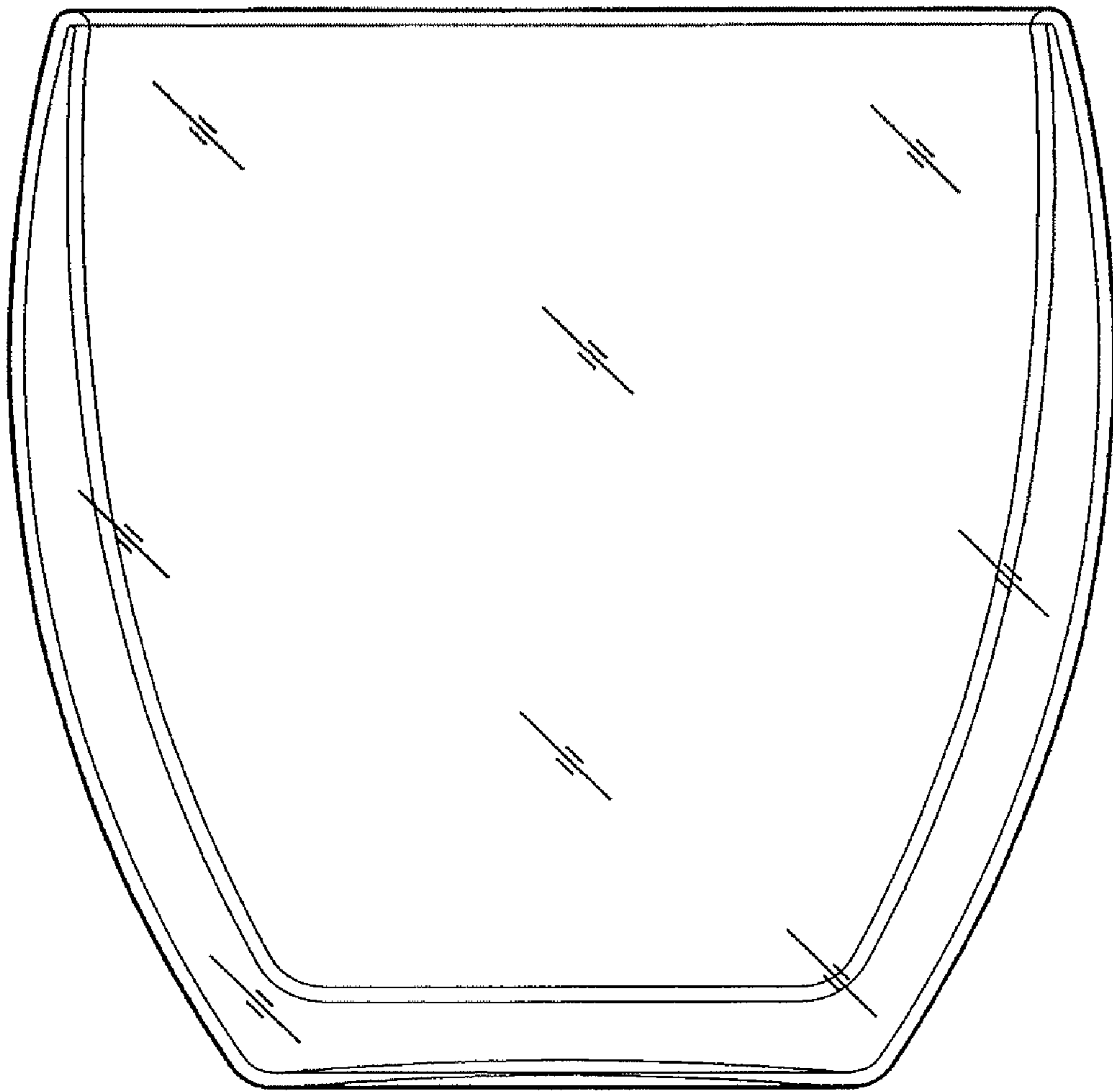


Figure 12

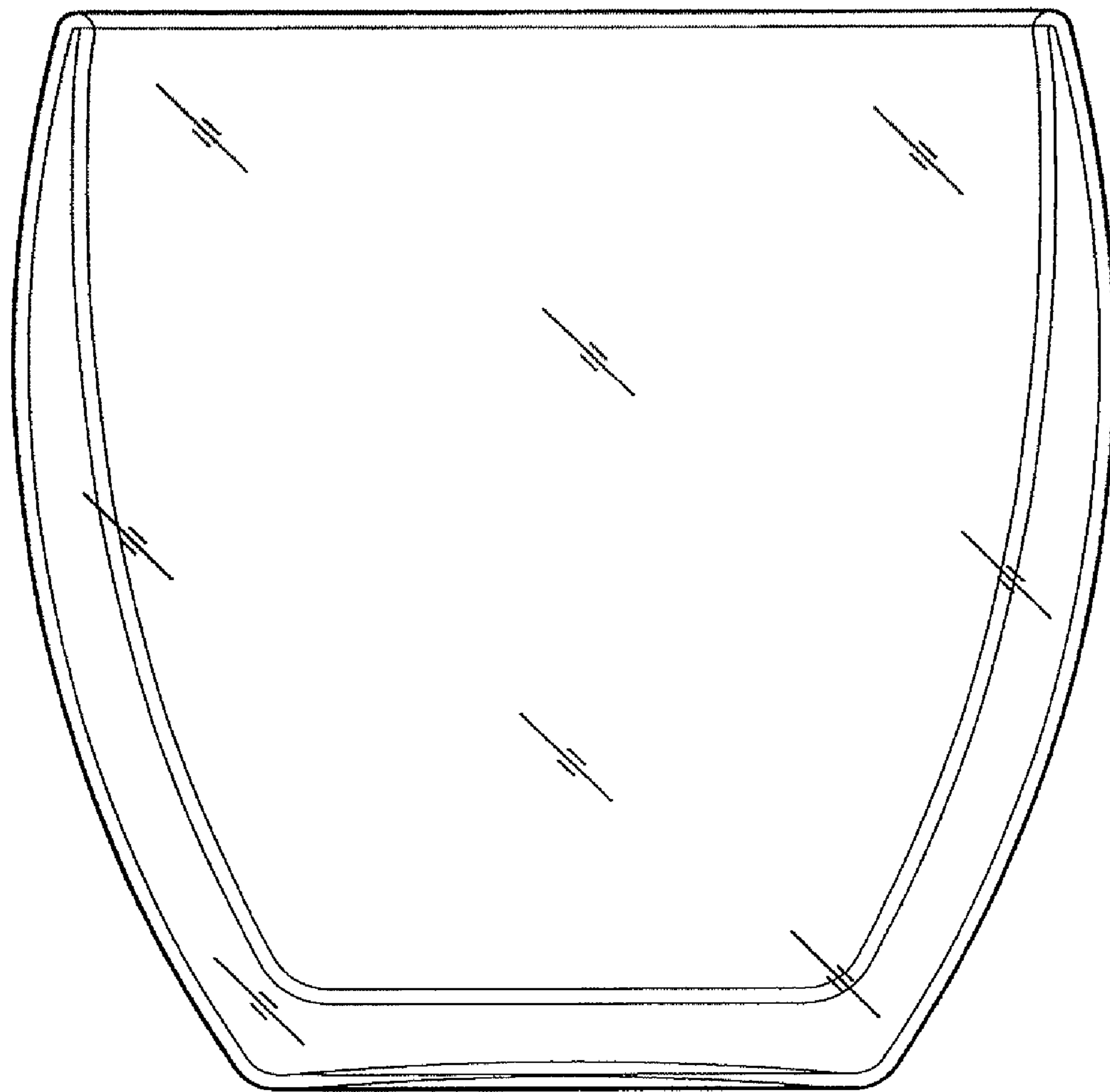


Figure 13

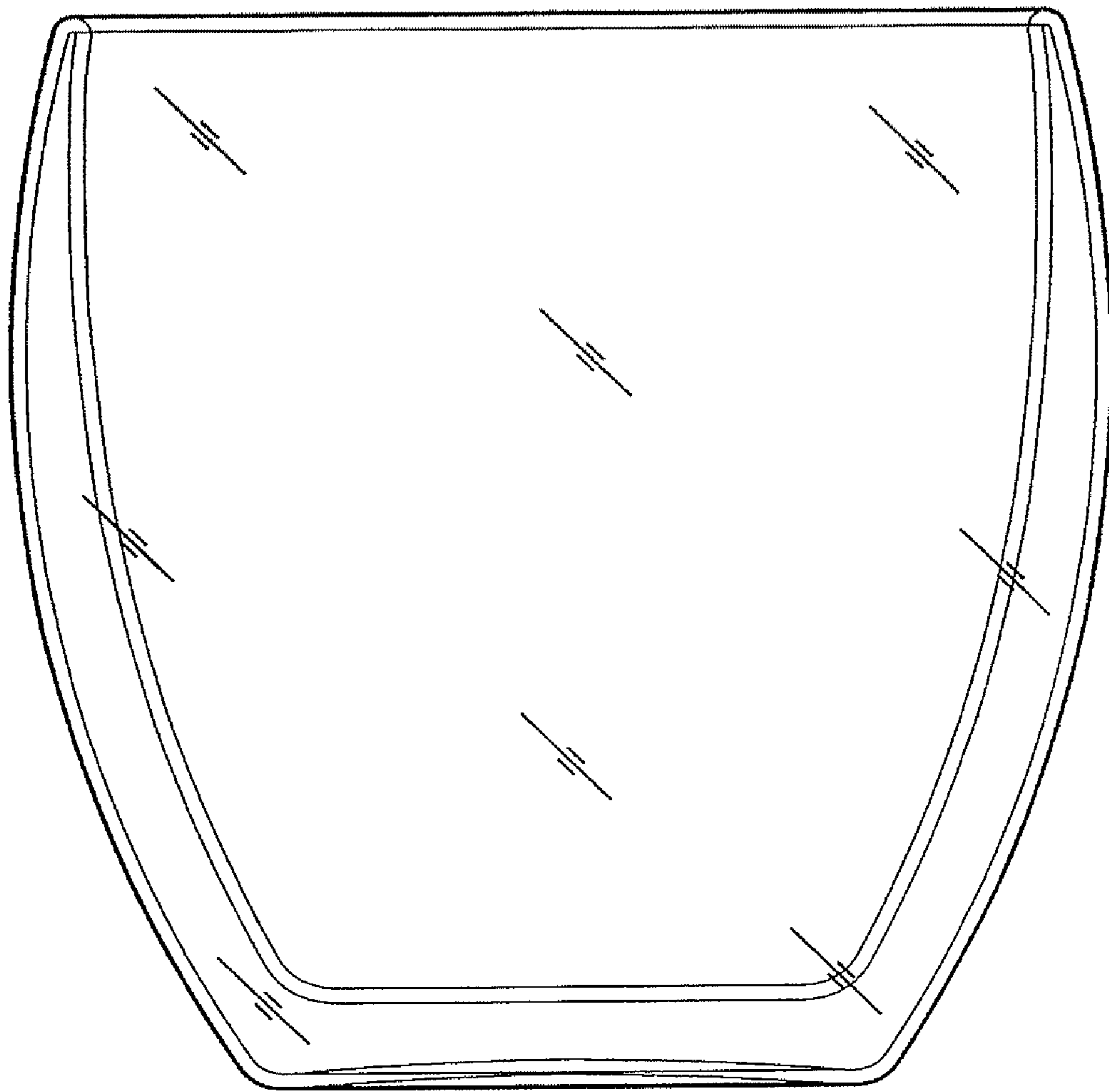


Figure 14

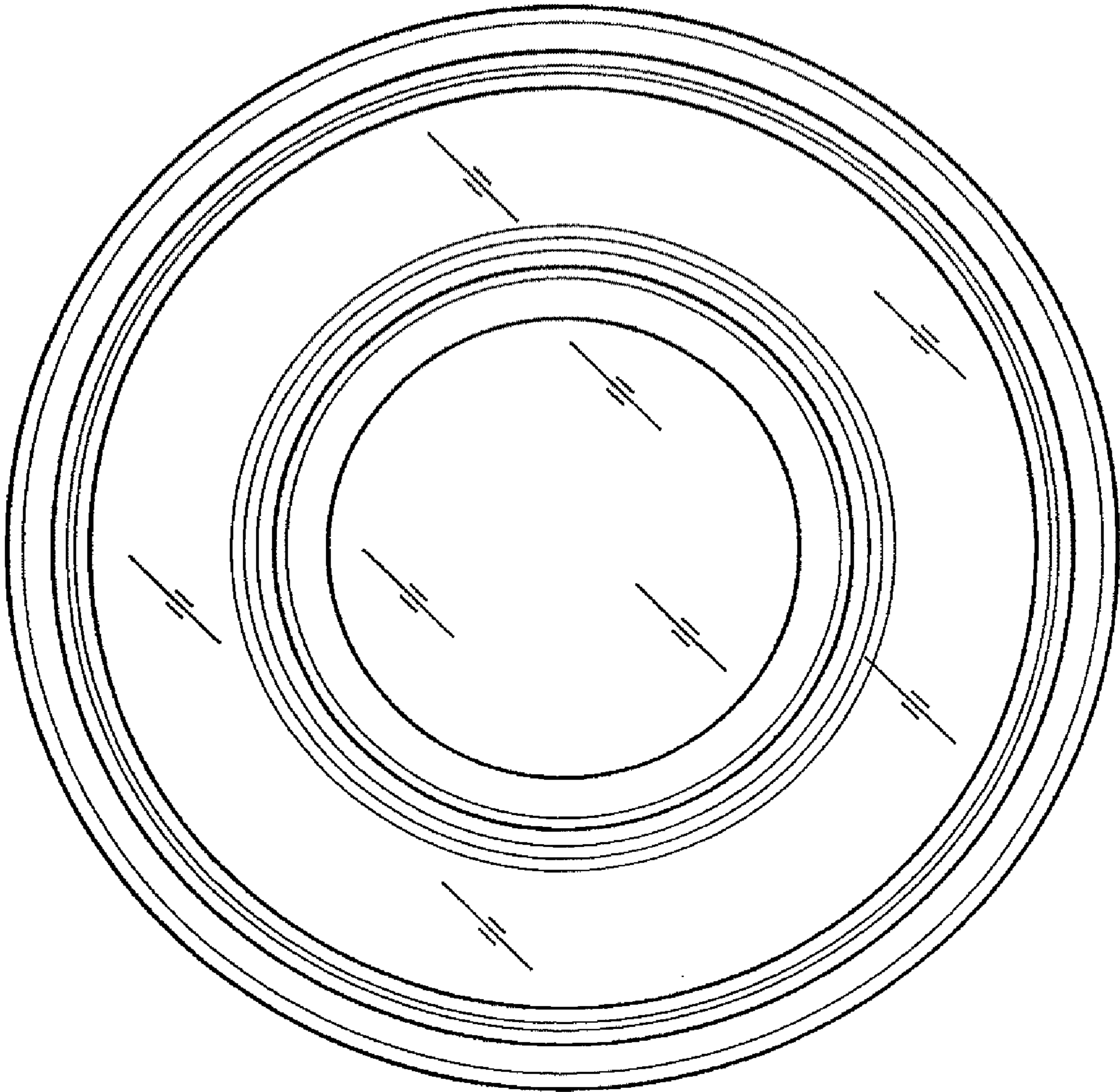


Figure 15

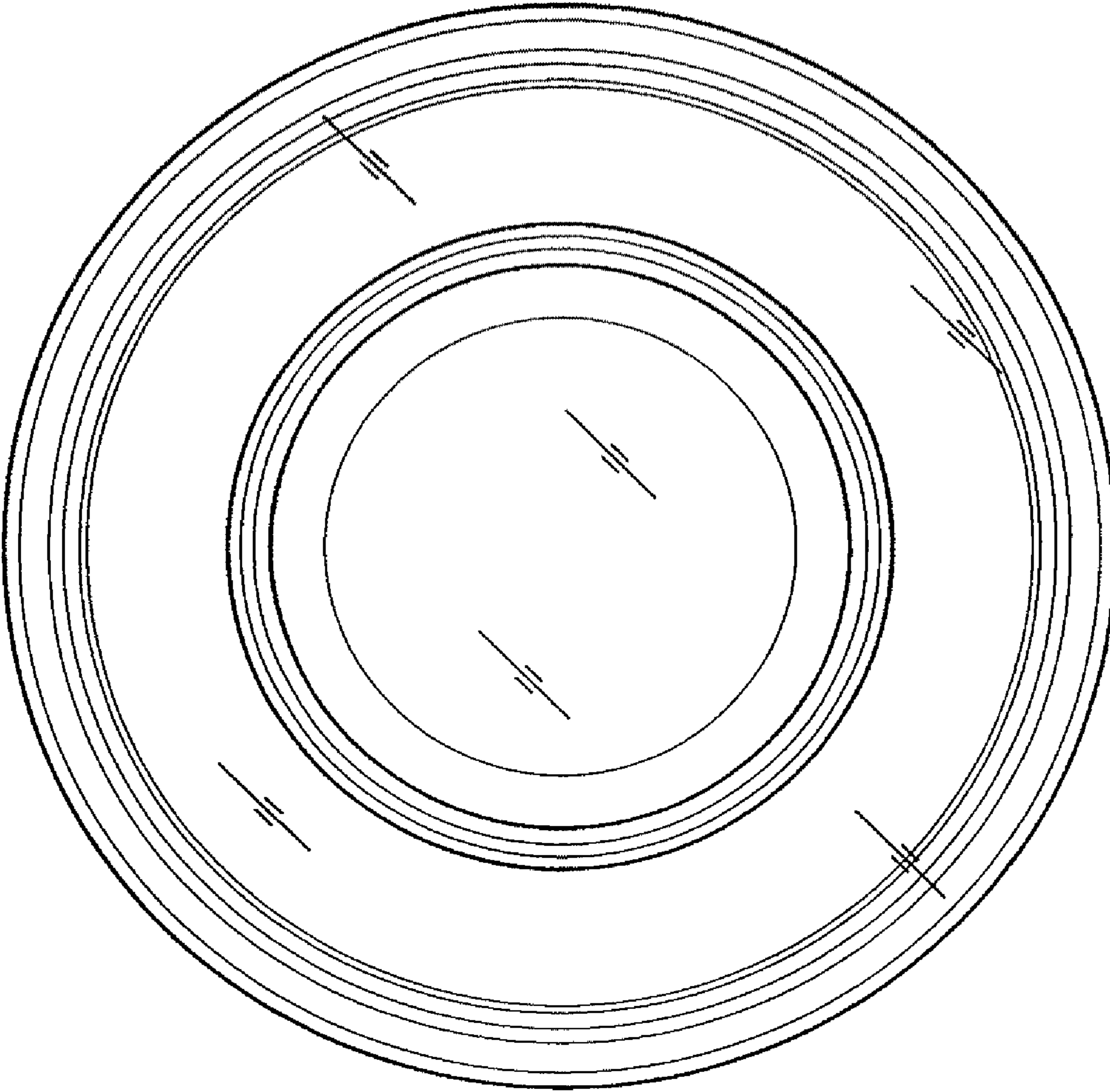


Figure 16

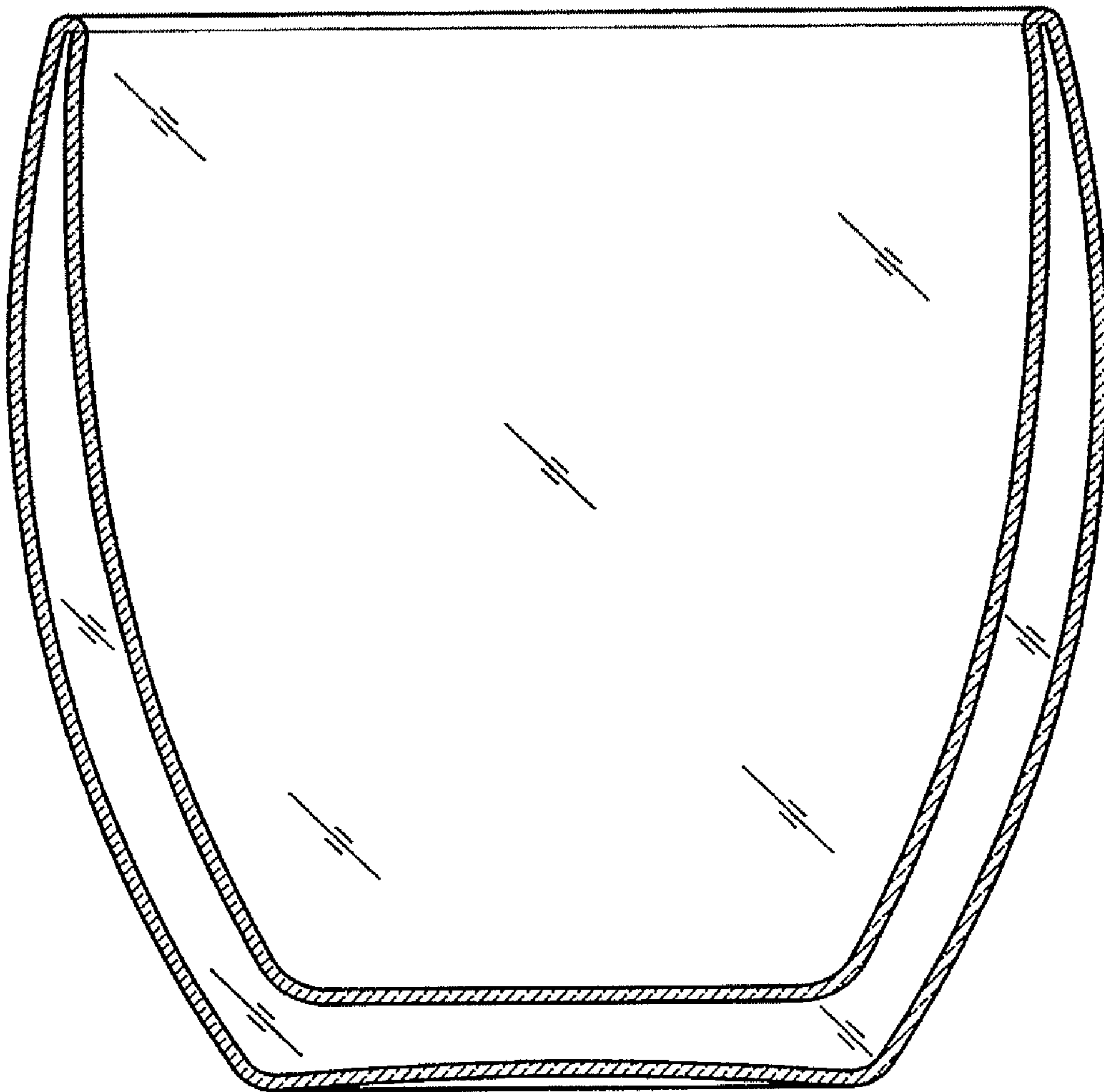


Figure 17

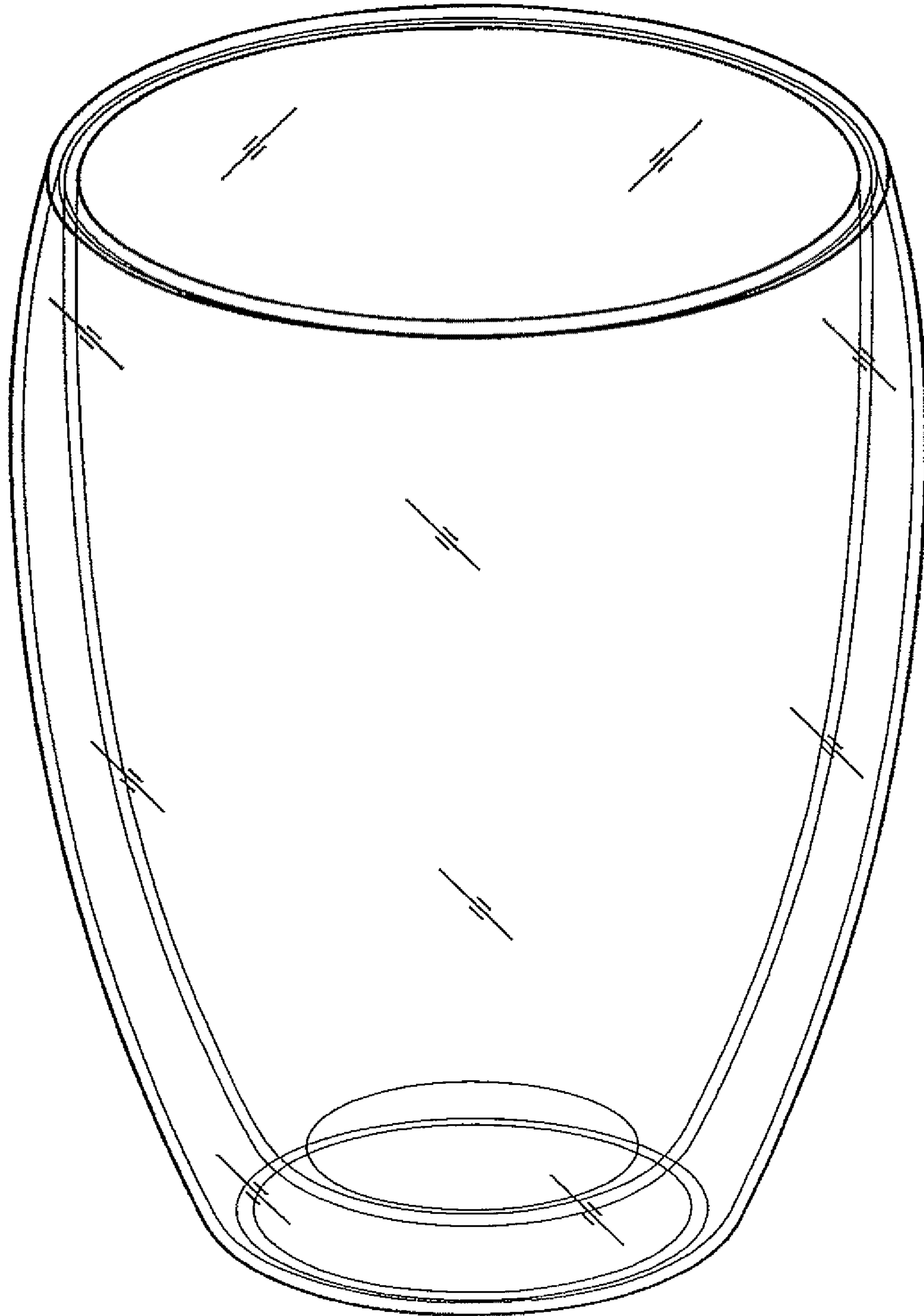


Figure 18

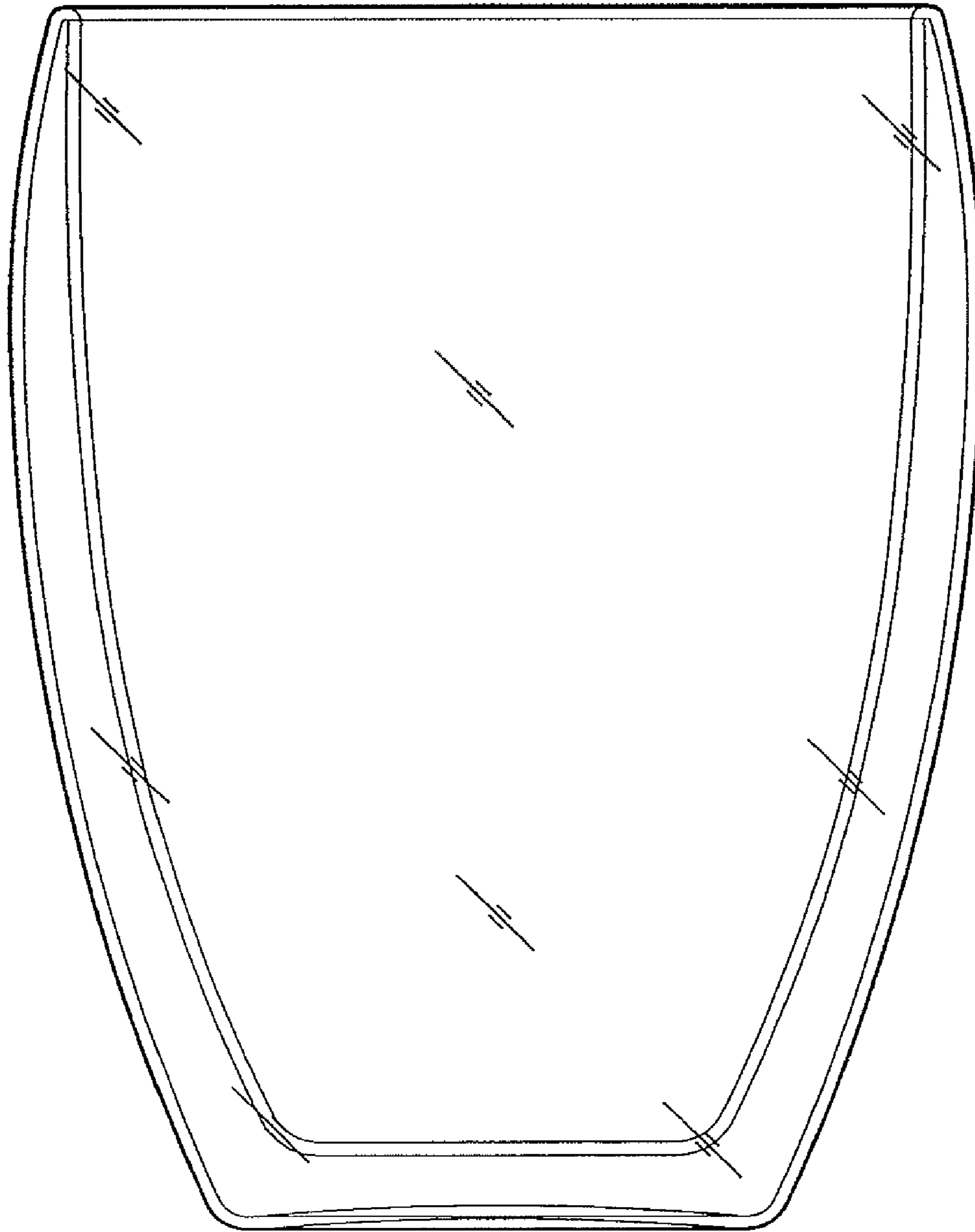


Figure 19

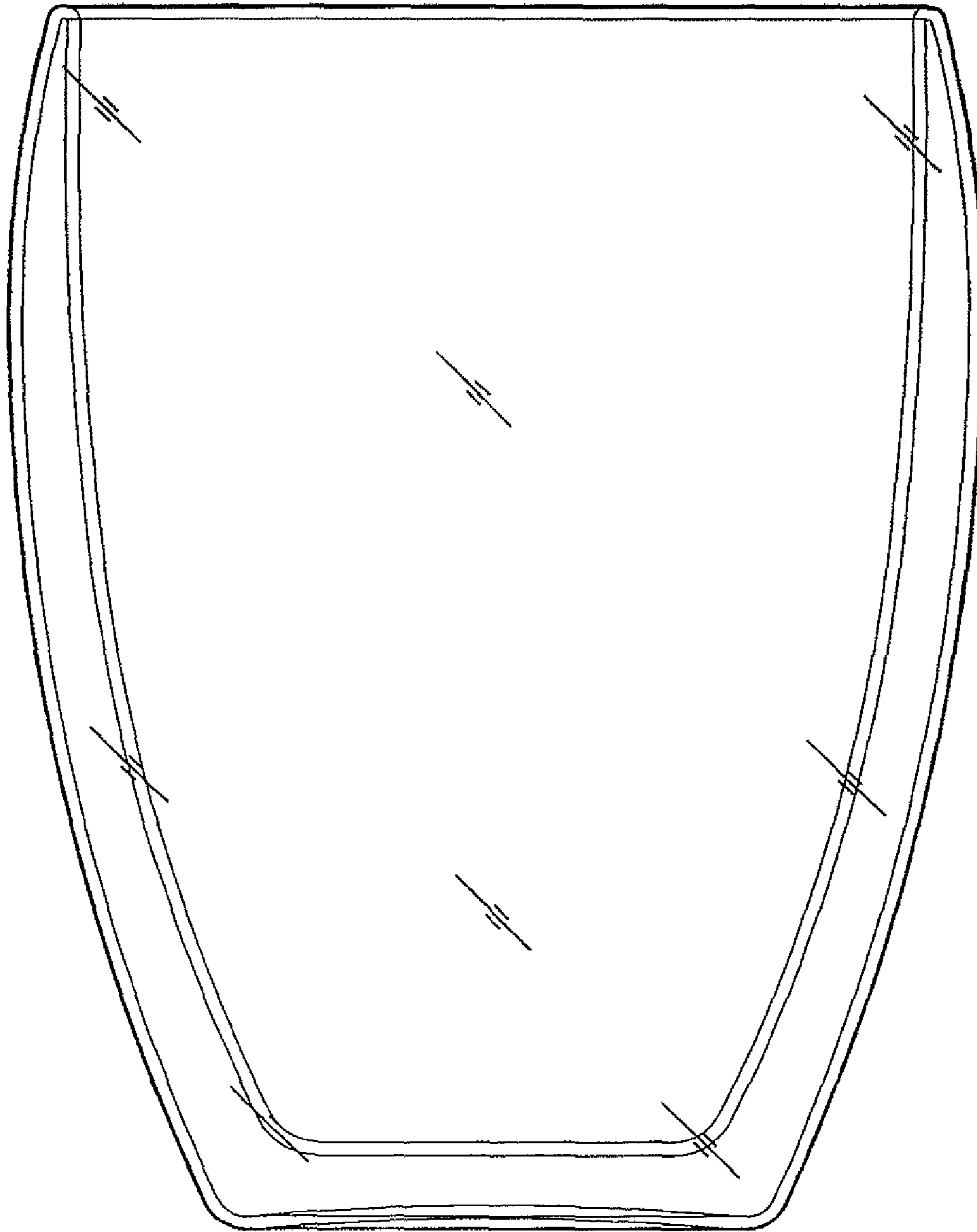


Figure 20

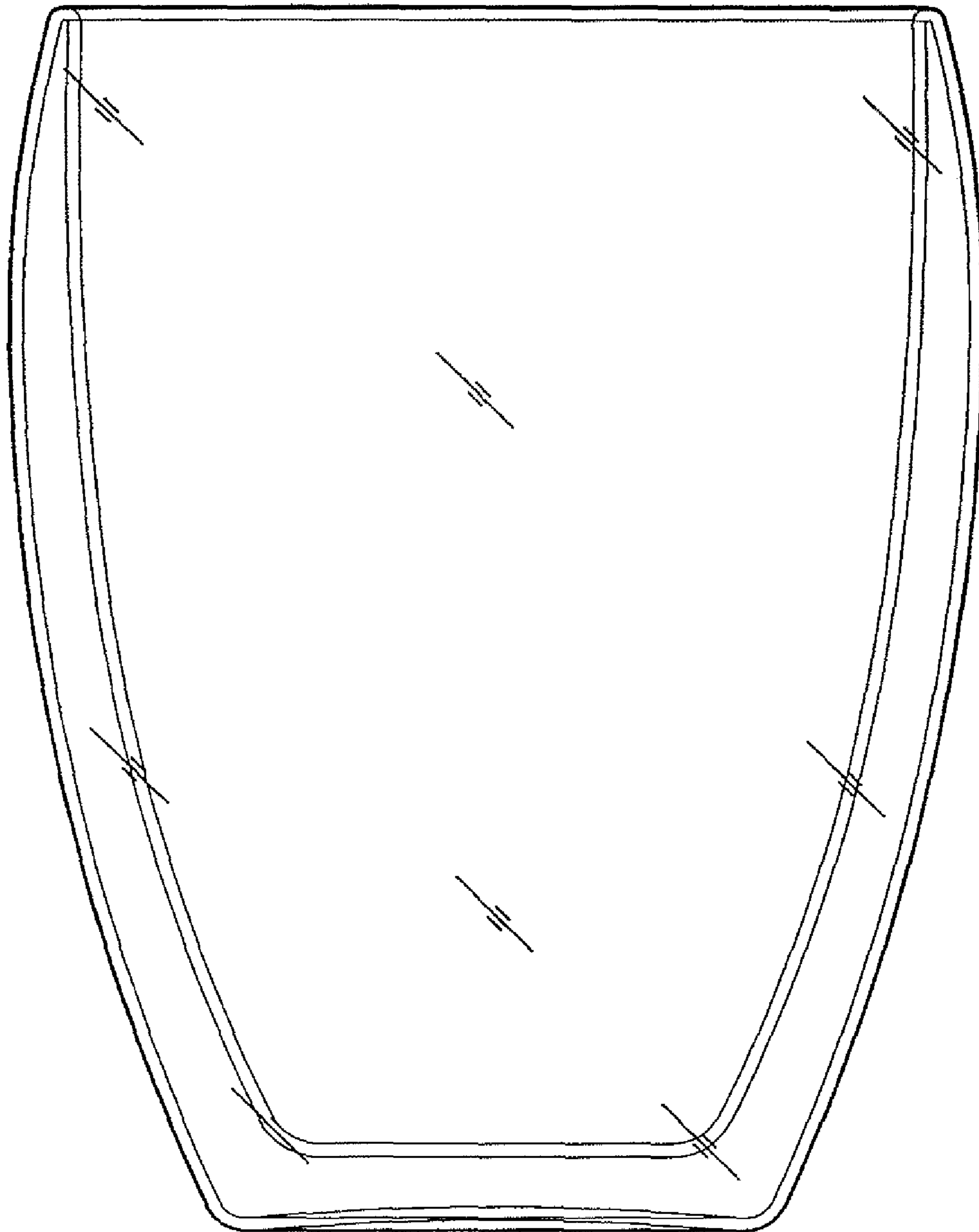


Figure 21

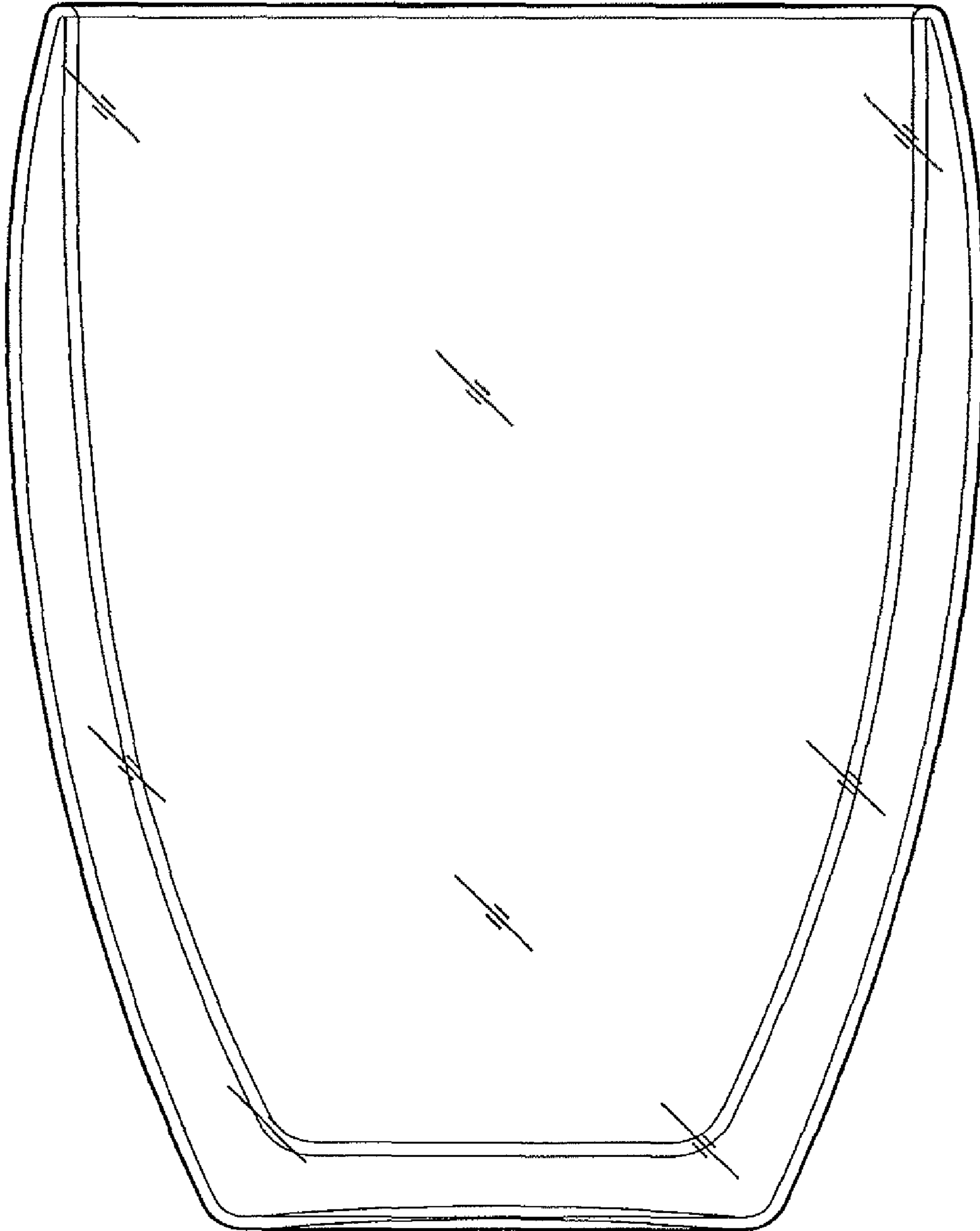


Figure 22

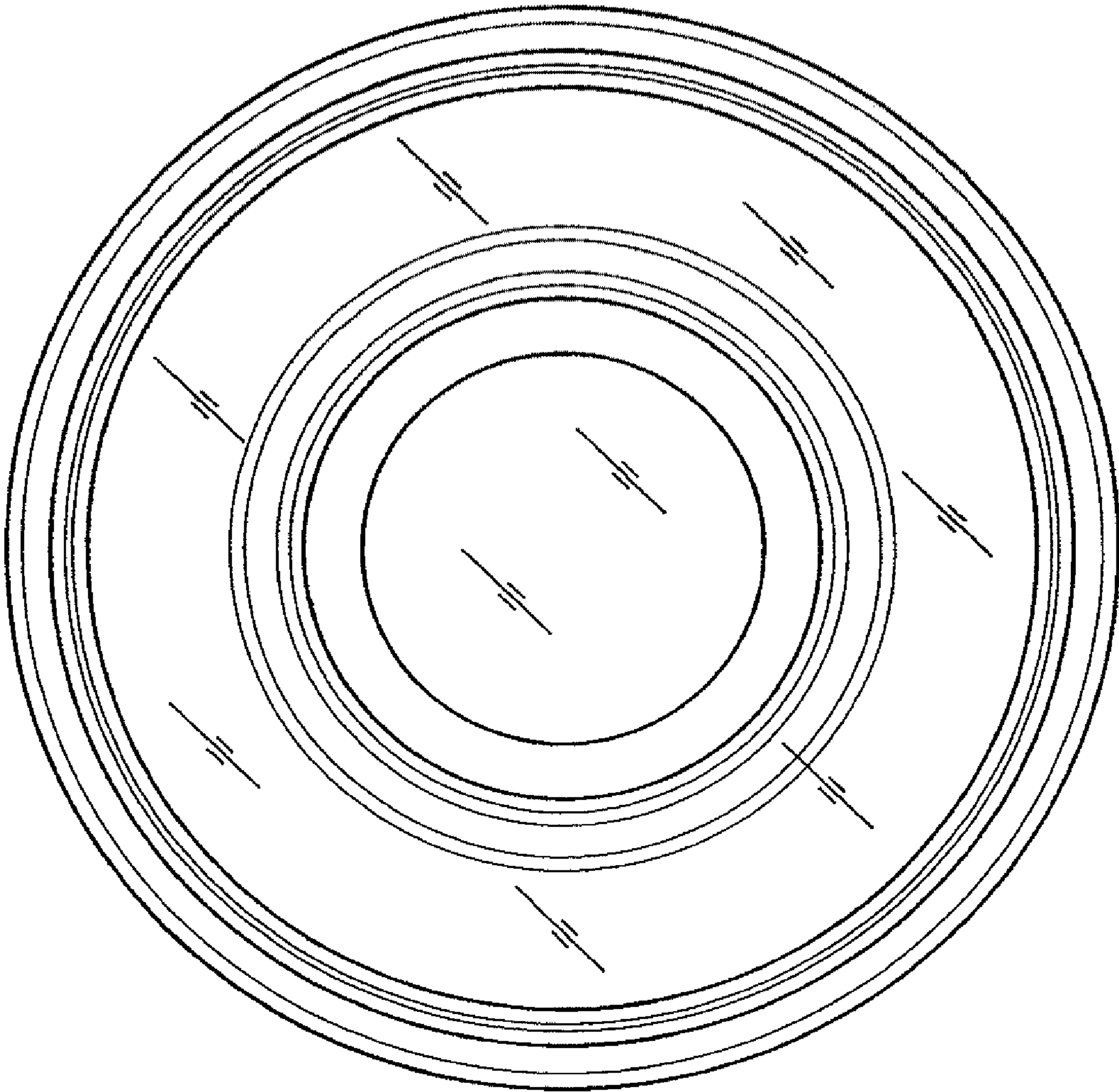


Figure 23

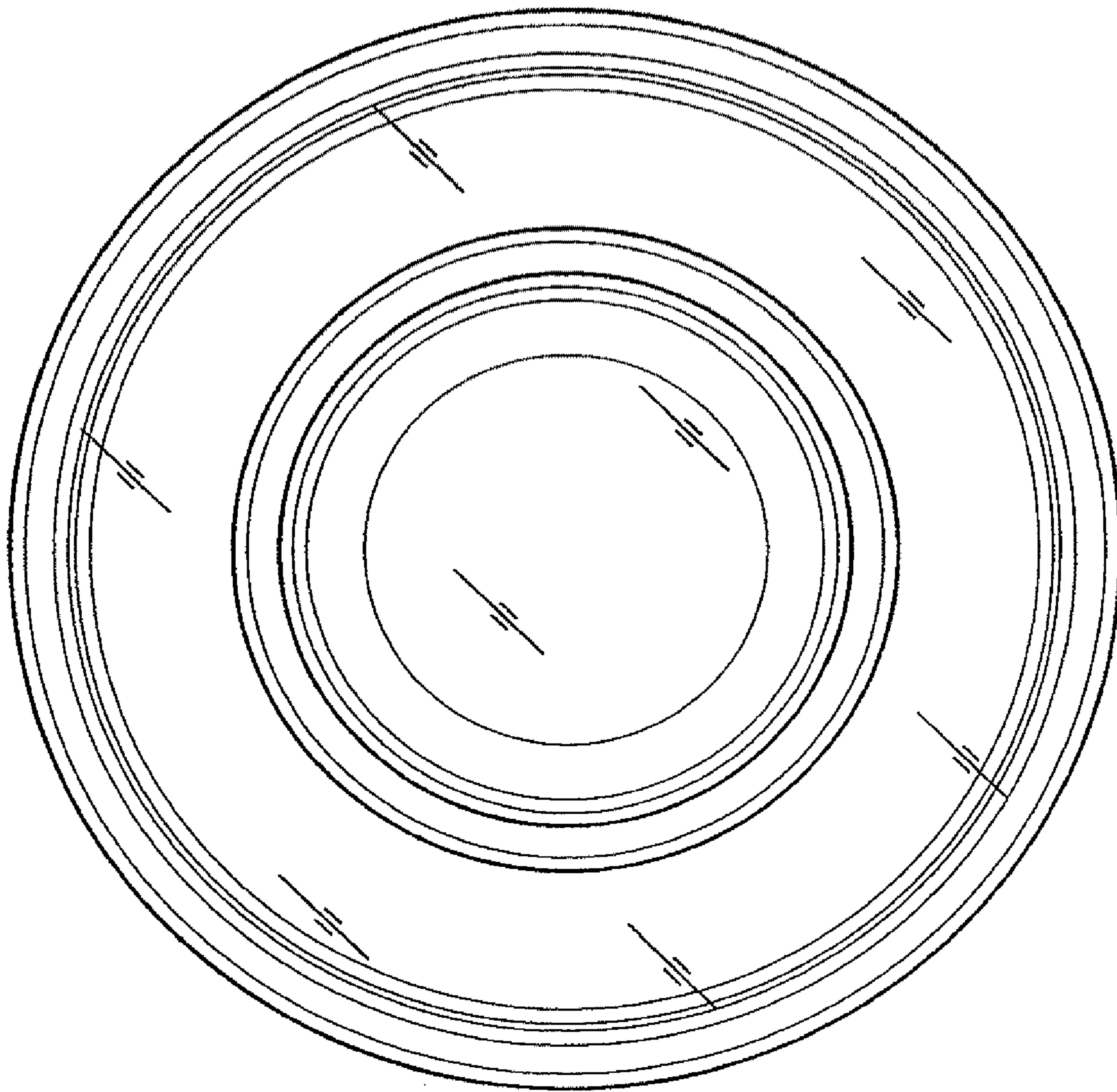


Figure 24

