

US00D651466S

(12) **United States Design Patent**
Forsyth

(10) **Patent No.:** **US D651,466 S**
(45) **Date of Patent:** **** Jan. 3, 2012**

(54) **CUP**
(75) **Inventor:** **Abigail Forsyth, Melbourne (AU)**
(73) **Assignee:** **Keepcup Pty Ltd, Fitzroy, Victoria (AU)**
(**) **Term:** **14 Years**

(21) **Appl. No.:** **29/391,958**
(22) **Filed:** **May 16, 2011**

(30) **Foreign Application Priority Data**

Nov. 17, 2010 (AU) 2010/15030

(51) **LOC (9) Cl.** **07-01**
(52) **U.S. Cl.** **D7/510**
(58) **Field of Classification Search** D7/510,
D7/511, 500, 532, 900, 507; 215/121, 382,
215/388, 387; 220/674, 715, 713, 718, 592.16,
220/592.17, 709, 708, 714; D9/529, 500,
D9/539

See application file for complete search history.

(56) **References Cited**

U.S. PATENT DOCUMENTS

3,905,512 A * 9/1975 Albert et al. 220/714
D266,391 S * 10/1982 Jordon D7/608
D289,937 S * 5/1987 Cleveland, Jr. D34/39

D416,757 S * 11/1999 Ginuntoli D7/523
D451,807 S * 12/2001 Goettner D9/504
D474,111 S * 5/2003 Lazaris D9/428
D587,534 S * 3/2009 Carreno D7/629
7,717,325 B2 * 5/2010 Puls et al. 229/403
D621,710 S * 8/2010 Cueto D9/504

FOREIGN PATENT DOCUMENTS

AU 324241 2/2009

* cited by examiner

Primary Examiner — Cynthia Underwood

(74) *Attorney, Agent, or Firm* — Scott E. Kamholz; Foley Hoag LLP

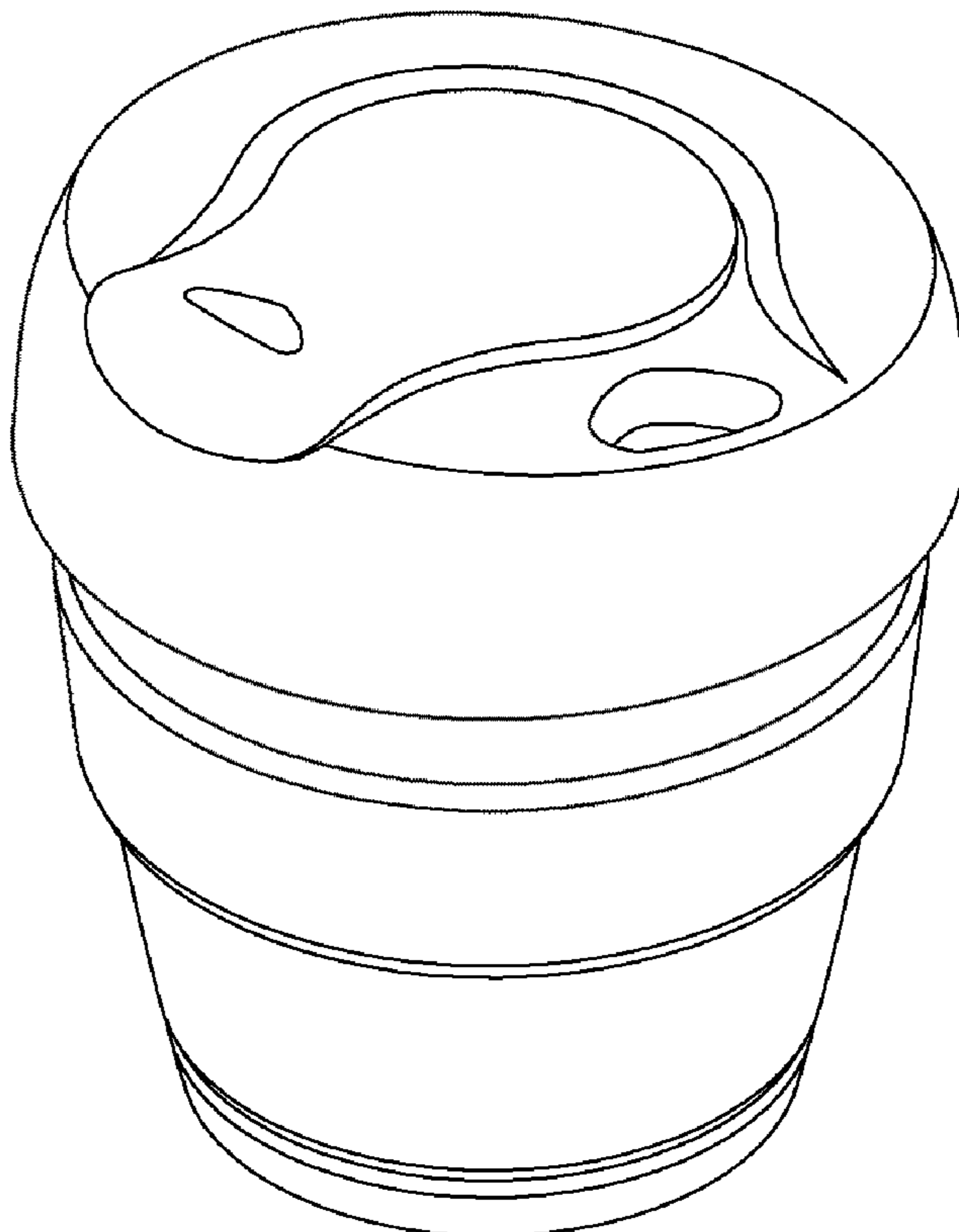
(57) **CLAIM**

The ornamental design for a cup, as shown.

DESCRIPTION

FIG. 1 is a top perspective view showing the design for a cup;
FIG. 2 is a bottom perspective view showing the design;
FIG. 3 is a top plan view showing the design;
FIG. 4 is a bottom plan view showing the design;
FIG. 5 is a left-side elevation view showing the design;
FIG. 6 is a front elevation view showing the design;
FIG. 7 is a right-side elevation view showing the design; and,
FIG. 8 is a back elevation view showing the design.

1 Claim, 8 Drawing Sheets



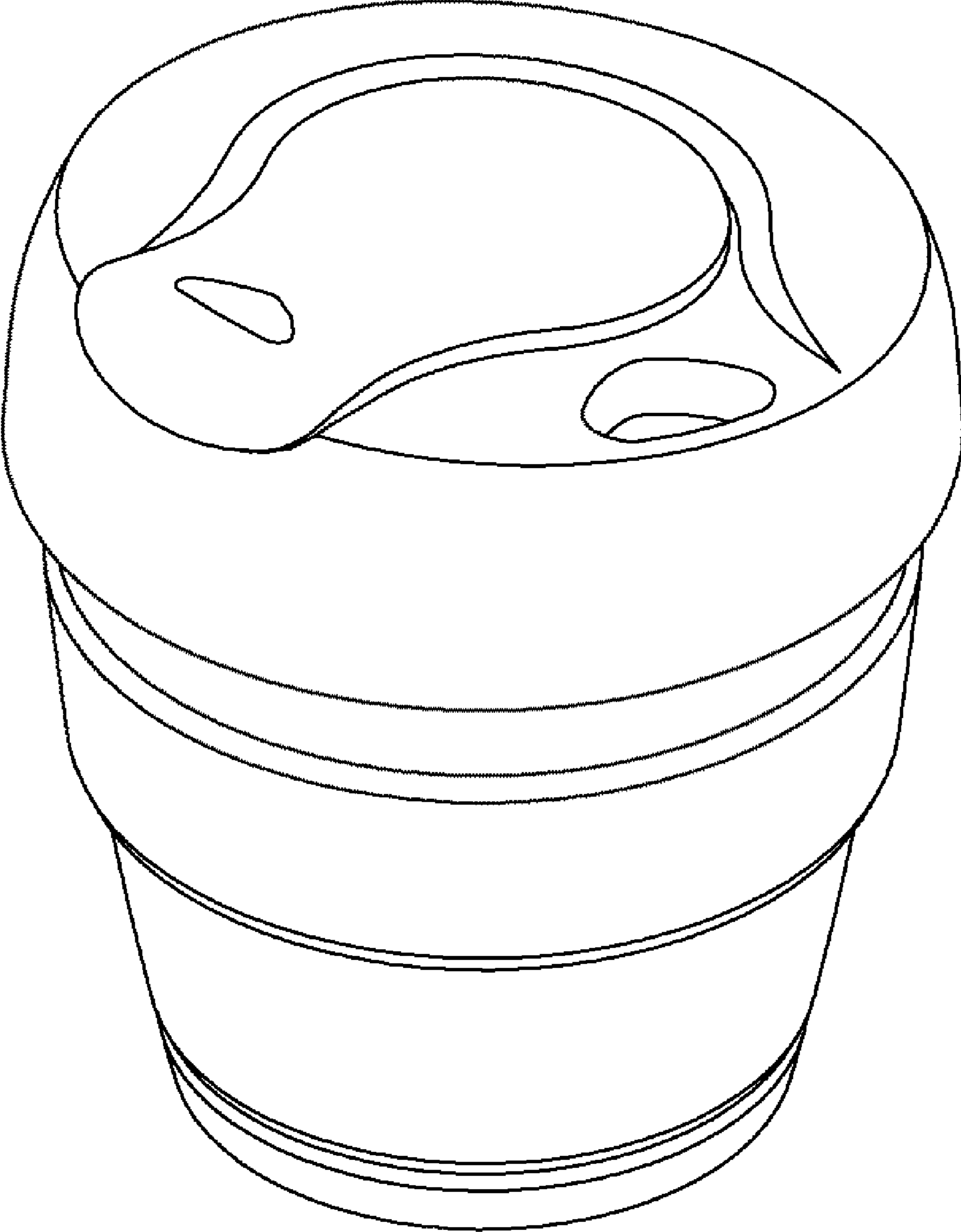


FIG. 1

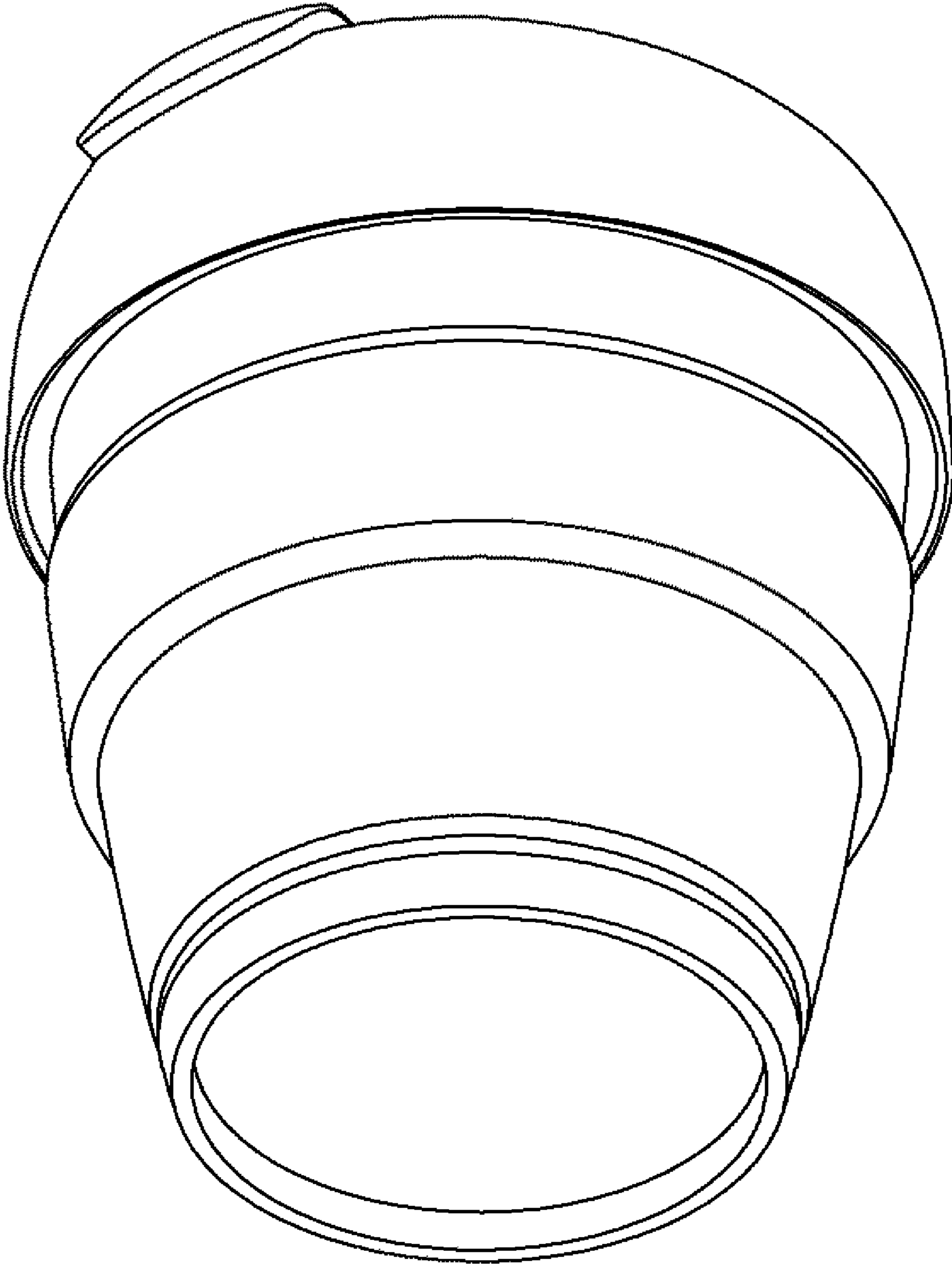


FIG. 2

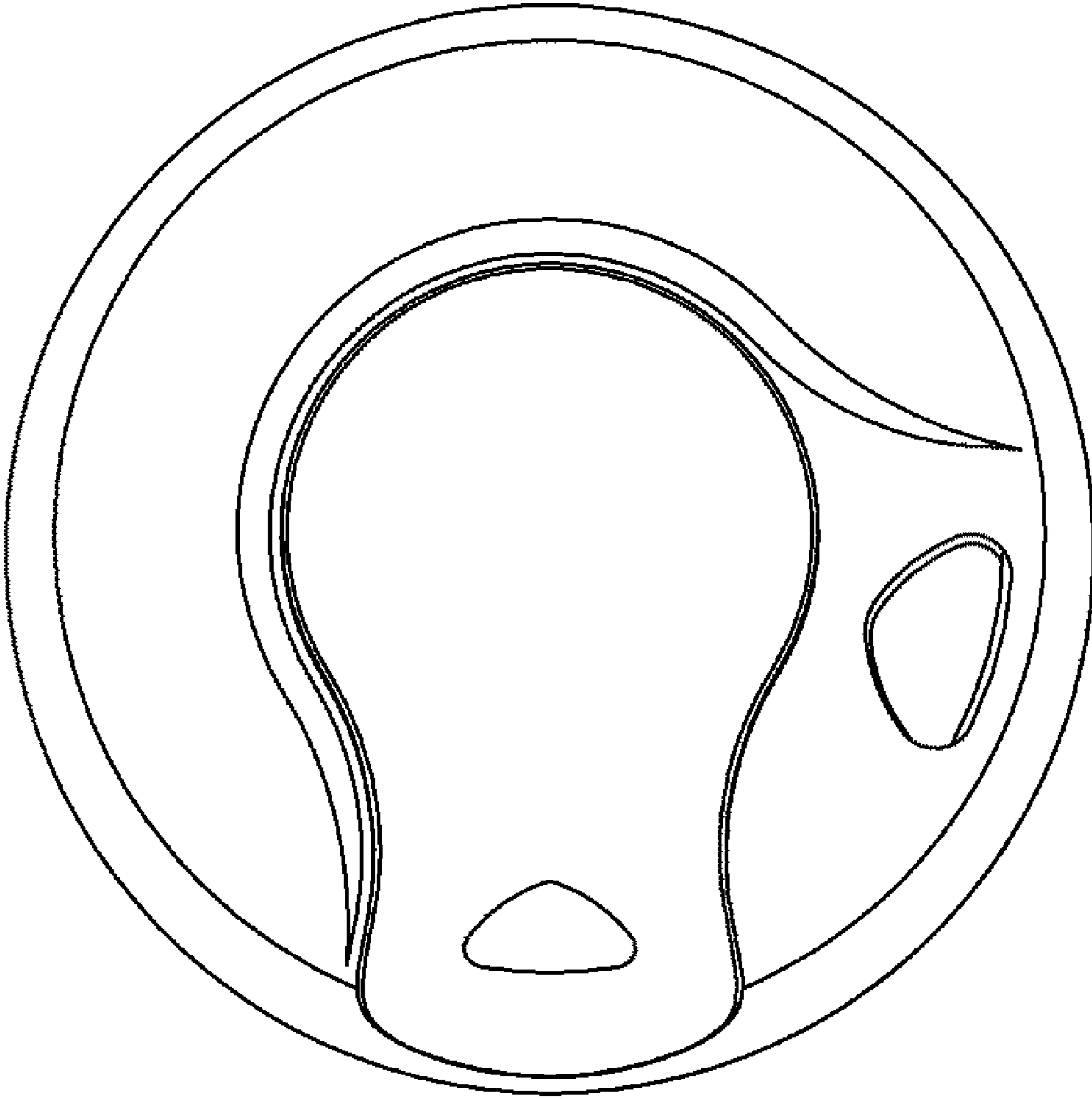


FIG. 3

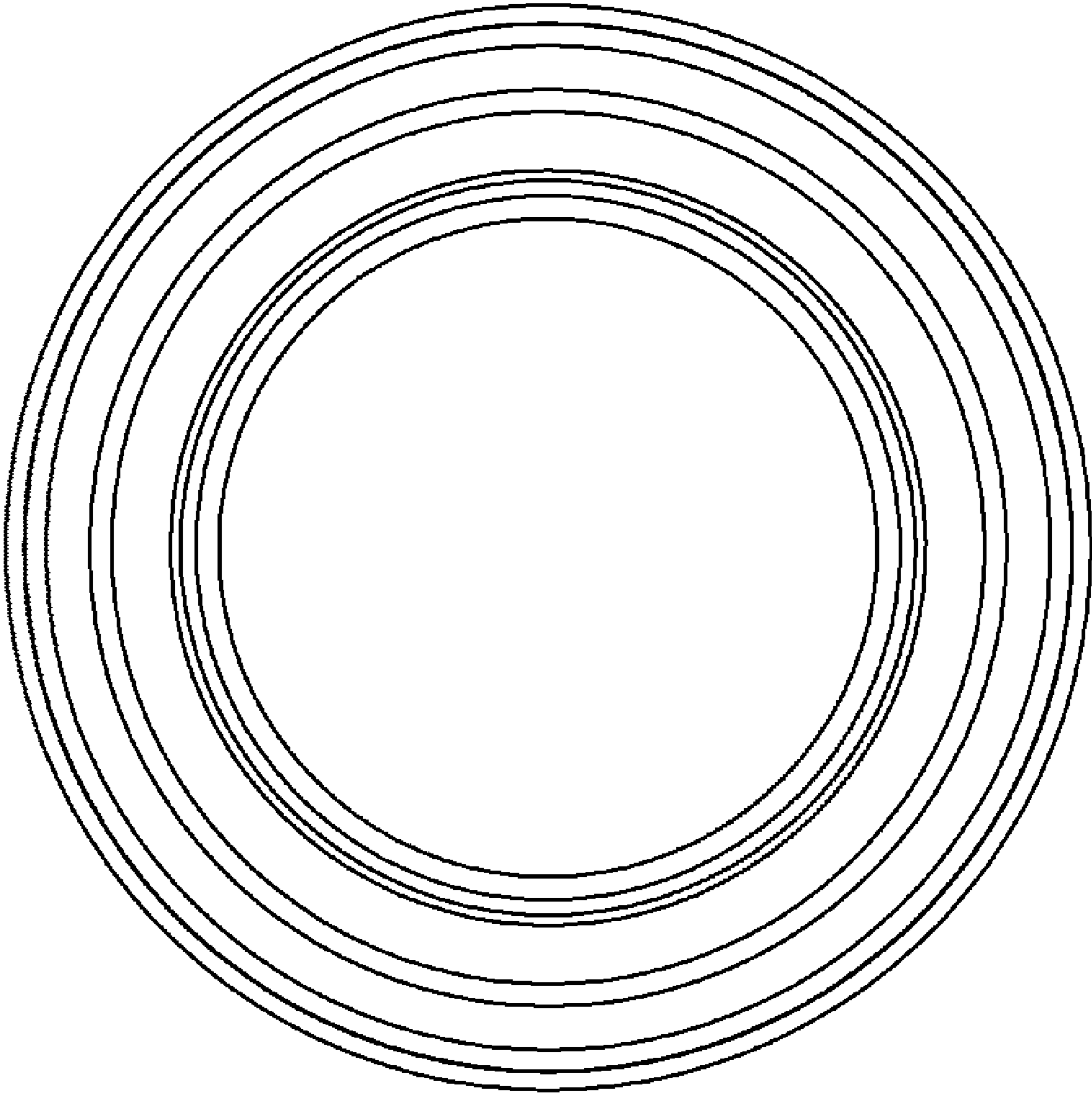


FIG. 4

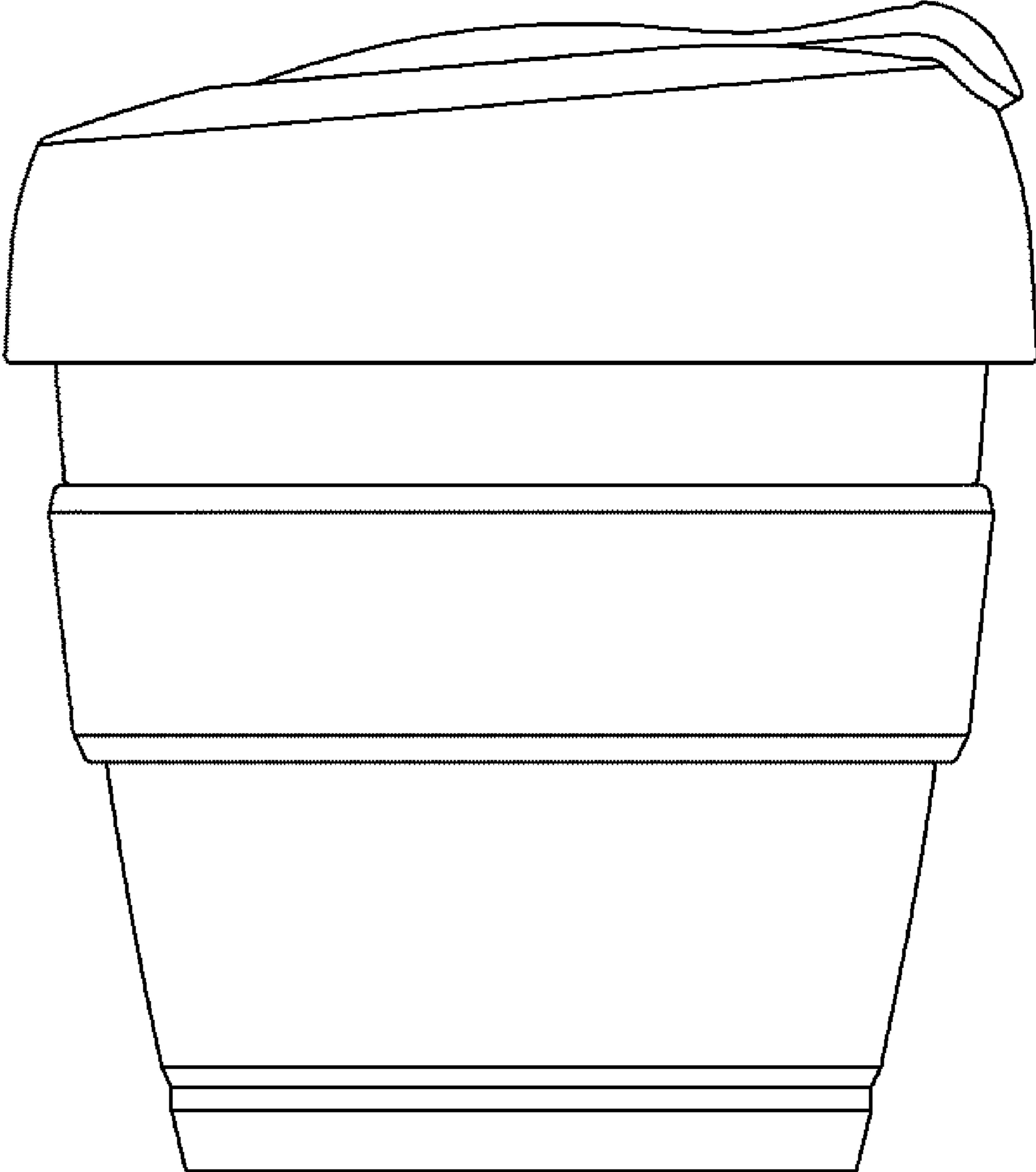


FIG. 5

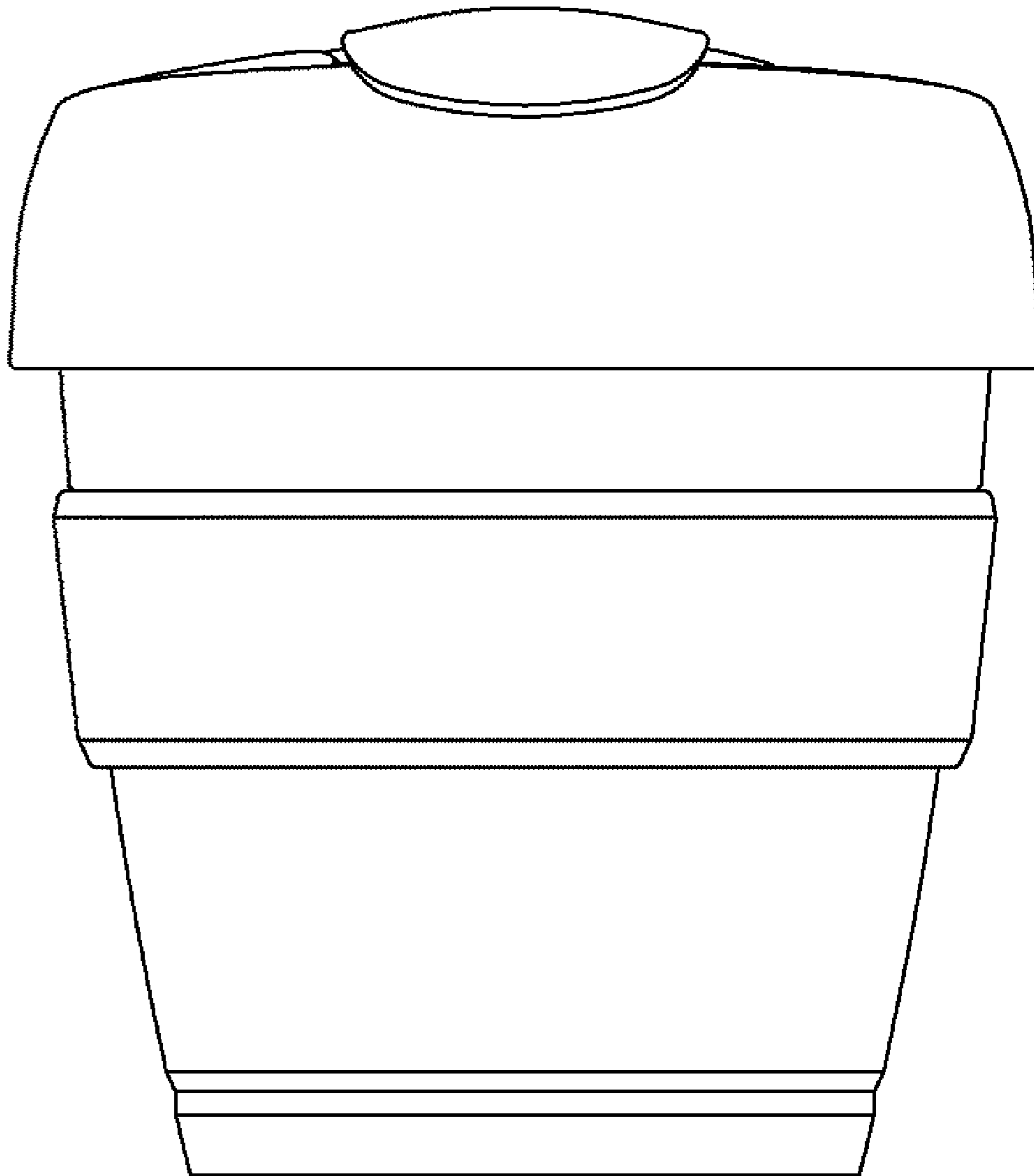


FIG. 6

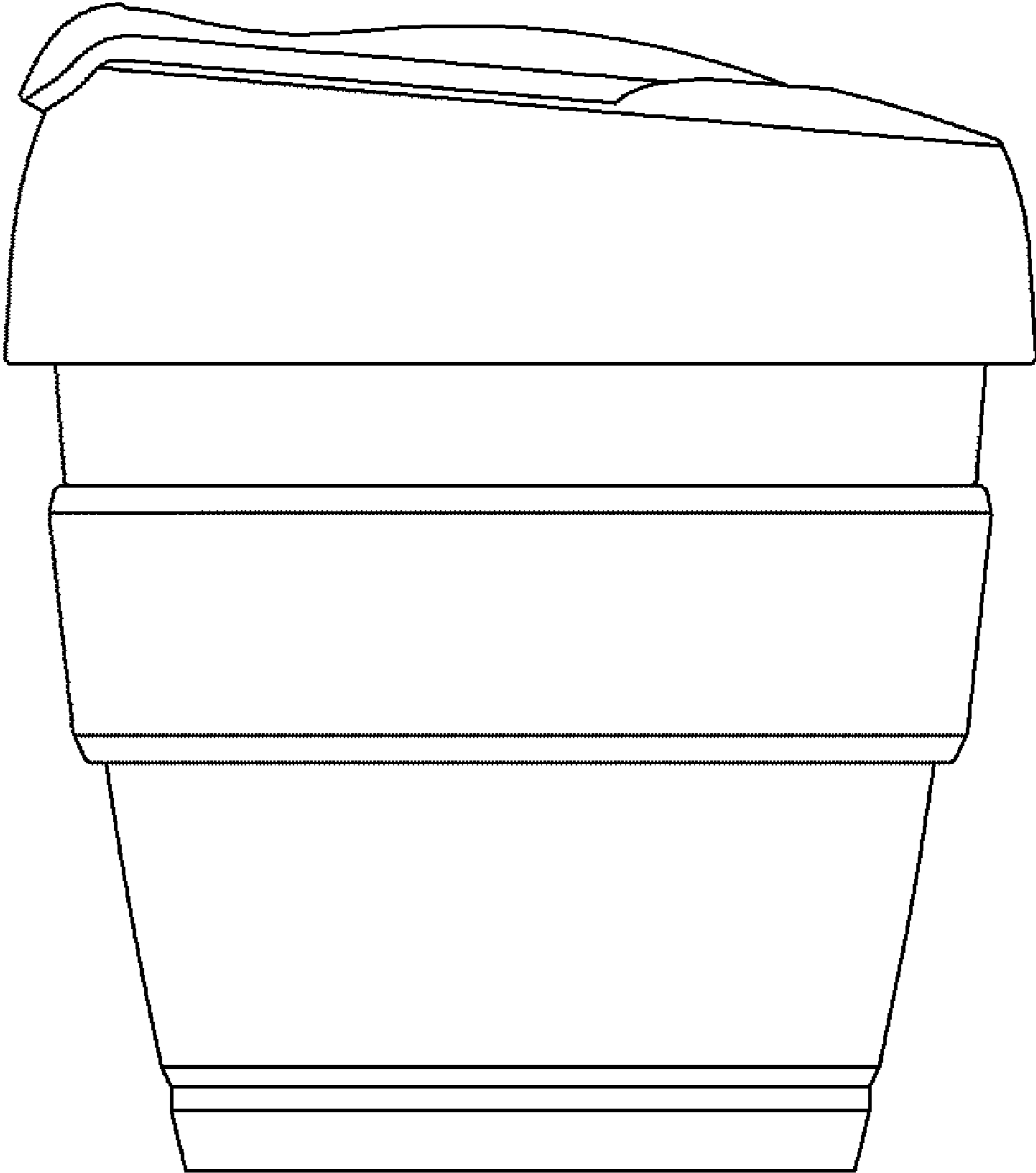


FIG. 7

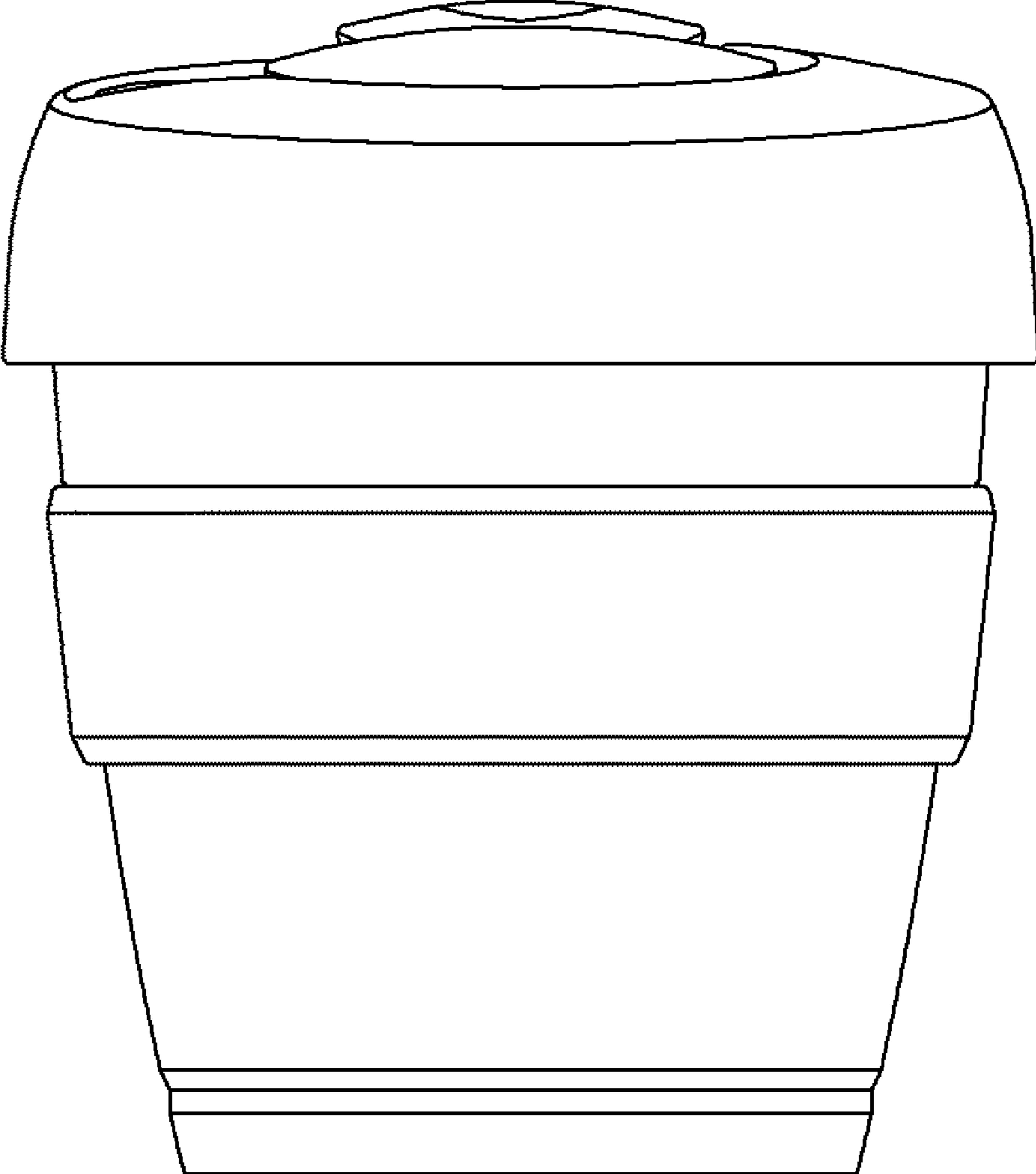


FIG. 8