



US00D651463S

(12) **United States Design Patent**  
**Baacke et al.**

(10) **Patent No.:** **US D651,463 S**  
(45) **Date of Patent:** **\*\* Jan. 3, 2012**

- (54) **RACK FOR COOKING APPLIANCE**
- (75) Inventors: **Sven Baacke**, München (DE);  
**Hermann-Reinhard Segers**, München (DE)
- (73) Assignee: **BSH Bosch und Siemens Hausgeraete GmbH**, Munich (DE)
- (\*\*) Term: **14 Years**
- (21) Appl. No.: **29/396,028**
- (22) Filed: **Jun. 24, 2011**

**Related U.S. Application Data**

- (62) Division of application No. 29/376,366, filed on Oct. 6, 2010, now Pat. No. Des. 645,702, which is a division of application No. 29/359,525, filed on Apr. 13, 2010, now Pat. No. Des. 630,472, which is a division of application No. 29/345,167, filed on Oct. 12, 2009, now Pat. No. Des. 620,311, which is a division of application No. 29/285,903, filed on Apr. 16, 2007, now Pat. No. Des. 610,404.

**Foreign Application Priority Data**

- Nov. 30, 2006 (EM) ..... 000640362
- (51) **LOC (9) Cl.** ..... **07-02**
- (52) **U.S. Cl.** ..... **D7/406; D7/409**
- (58) **Field of Classification Search** ..... D7/323,  
D7/388, 402, 406-409; 126/1 R, 24, 25 R,  
126/29, 332, 337 R, 339; 211/134, 153,  
211/181.1; 312/410; 99/426  
See application file for complete search history.

**References Cited**

**U.S. PATENT DOCUMENTS**

- D251,106 S \* 2/1979 Petursson ..... D7/409
- D425,754 S \* 5/2000 Matteson et al. .... D7/402

- D426,749 S \* 6/2000 Barnes et al. .... D7/409
- D427,487 S \* 7/2000 Holbrook ..... D7/409
- 6,148,813 A \* 11/2000 Barnes et al. .... 126/339
- 6,205,997 B1 \* 3/2001 Bartley ..... 126/337 R
- D442,432 S \* 5/2001 Bartley ..... D7/409
- D444,997 S \* 7/2001 Bartley ..... D7/409
- D445,302 S \* 7/2001 Bartley ..... D7/409
- D448,617 S \* 10/2001 Bartley ..... D7/408
- D454,470 S \* 3/2002 Bartley ..... D7/409
- D457,394 S \* 5/2002 Bartley ..... D7/409
- 6,644,302 B1 \* 11/2003 Bartley ..... 126/337 R
- D508,821 S \* 8/2005 Freese et al. .... D7/409
- D509,103 S \* 9/2005 Shin ..... D7/409
- D509,405 S \* 9/2005 Shin ..... D7/409
- D509,406 S \* 9/2005 Freese et al. .... D7/409
- D509,706 S \* 9/2005 Shin ..... D7/409
- D510,839 S \* 10/2005 Shin ..... D7/409
- 7,703,453 B2 \* 4/2010 Hughes ..... 126/339
- 2004/0094143 A1 \* 5/2004 Bartley ..... 211/153

\* cited by examiner

*Primary Examiner* — T. Chase Nelson

*Assistant Examiner* — Mark Cavanna

(74) *Attorney, Agent, or Firm* — James E. Howard; Andre Pallapies

(57) **CLAIM**

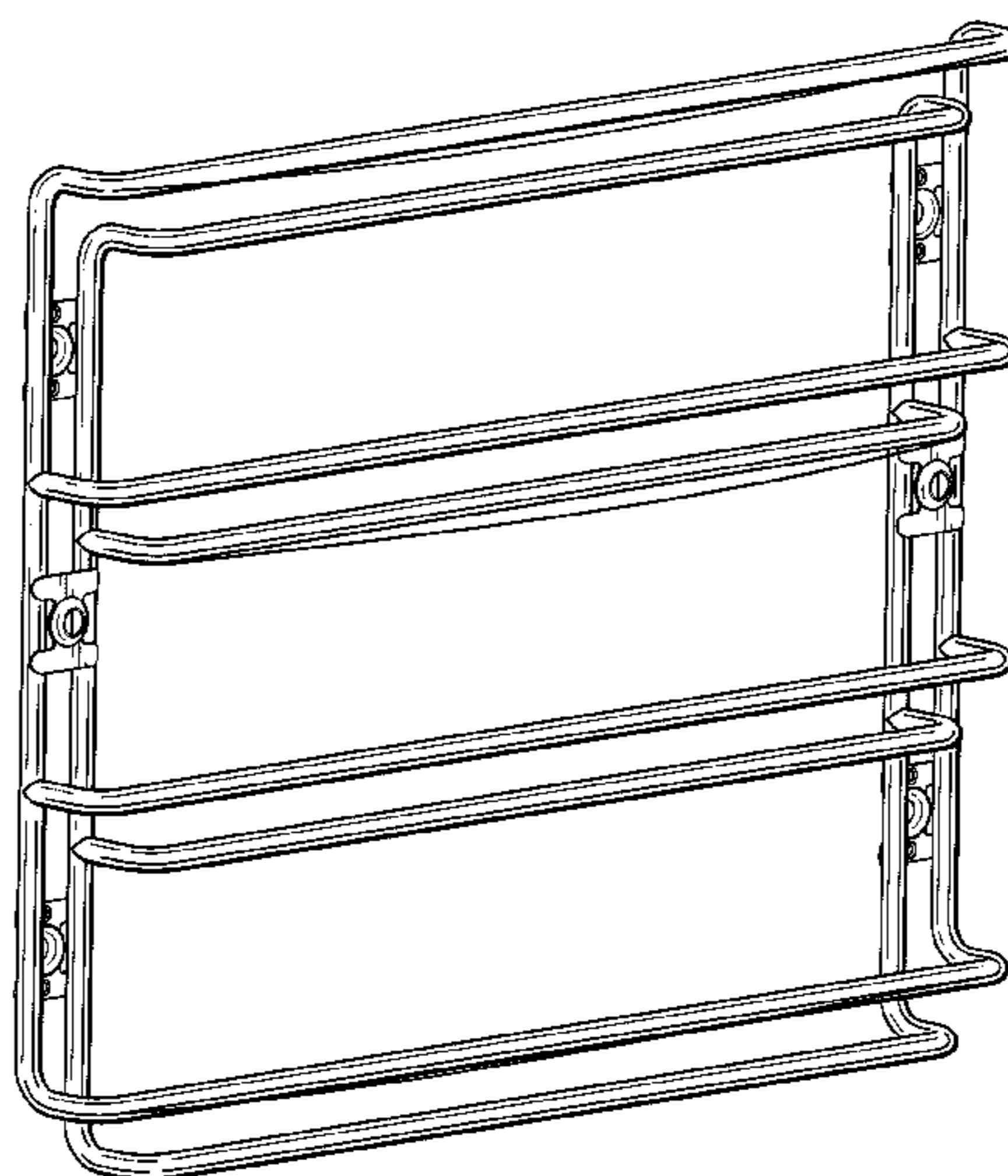
The ornamental design for rack for cooking appliance, as shown and described.

**DESCRIPTION**

FIG. 1 is a perspective view of a rack for cooking appliance showing our new design;  
FIG. 2 is a front view thereof;  
FIG. 3 is a right side view thereof;  
FIG. 4 is a left side view thereof;  
FIG. 5 is a bottom view thereof;  
FIG. 6 is a top view thereof; and  
FIG. 7 is a rear view thereof.

The broken lines represent environment or structure of the display panel, fitting or accessory for a cooking appliance and form no part of the claimed design.

**1 Claim, 3 Drawing Sheets**



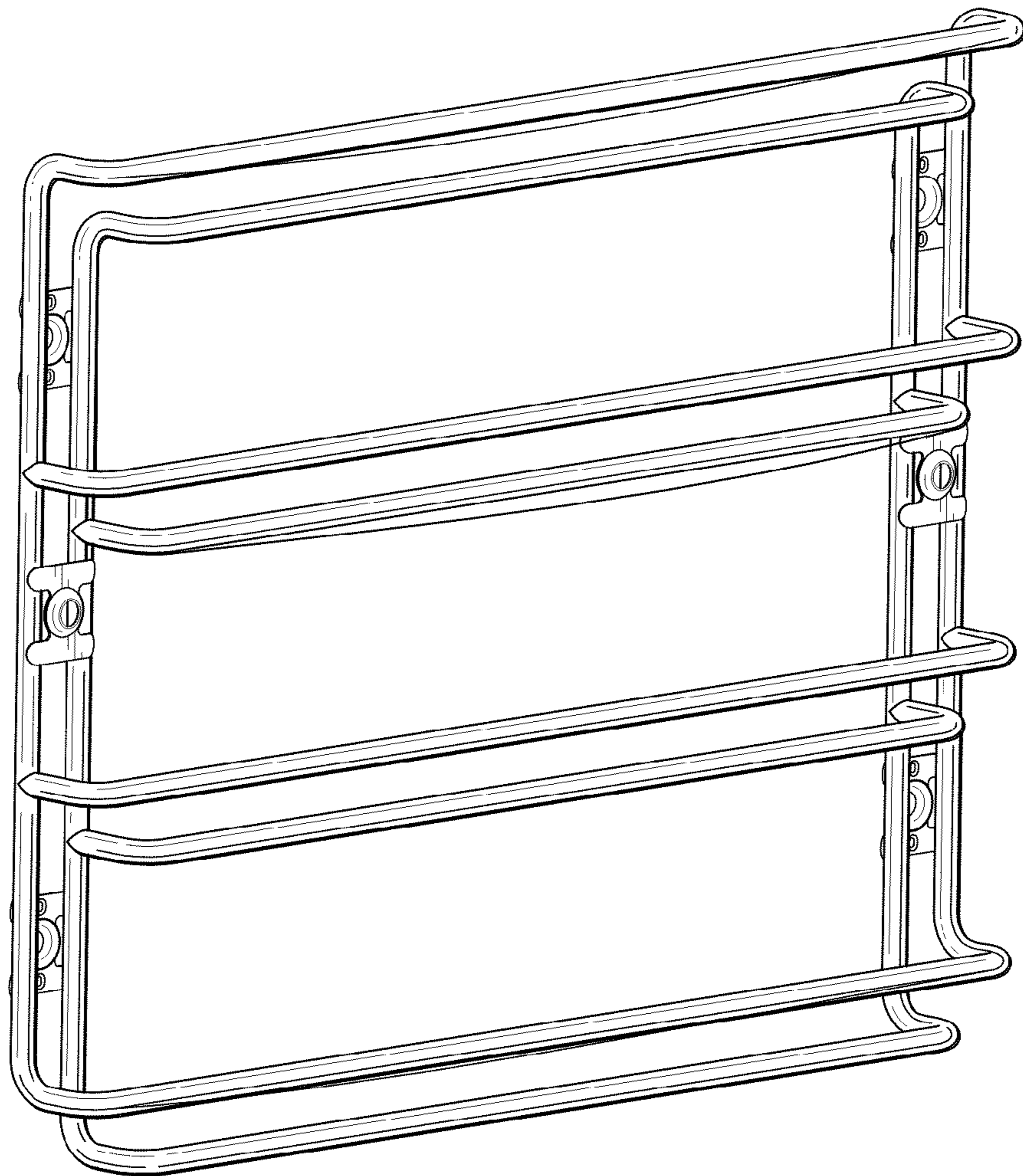


Fig. 1

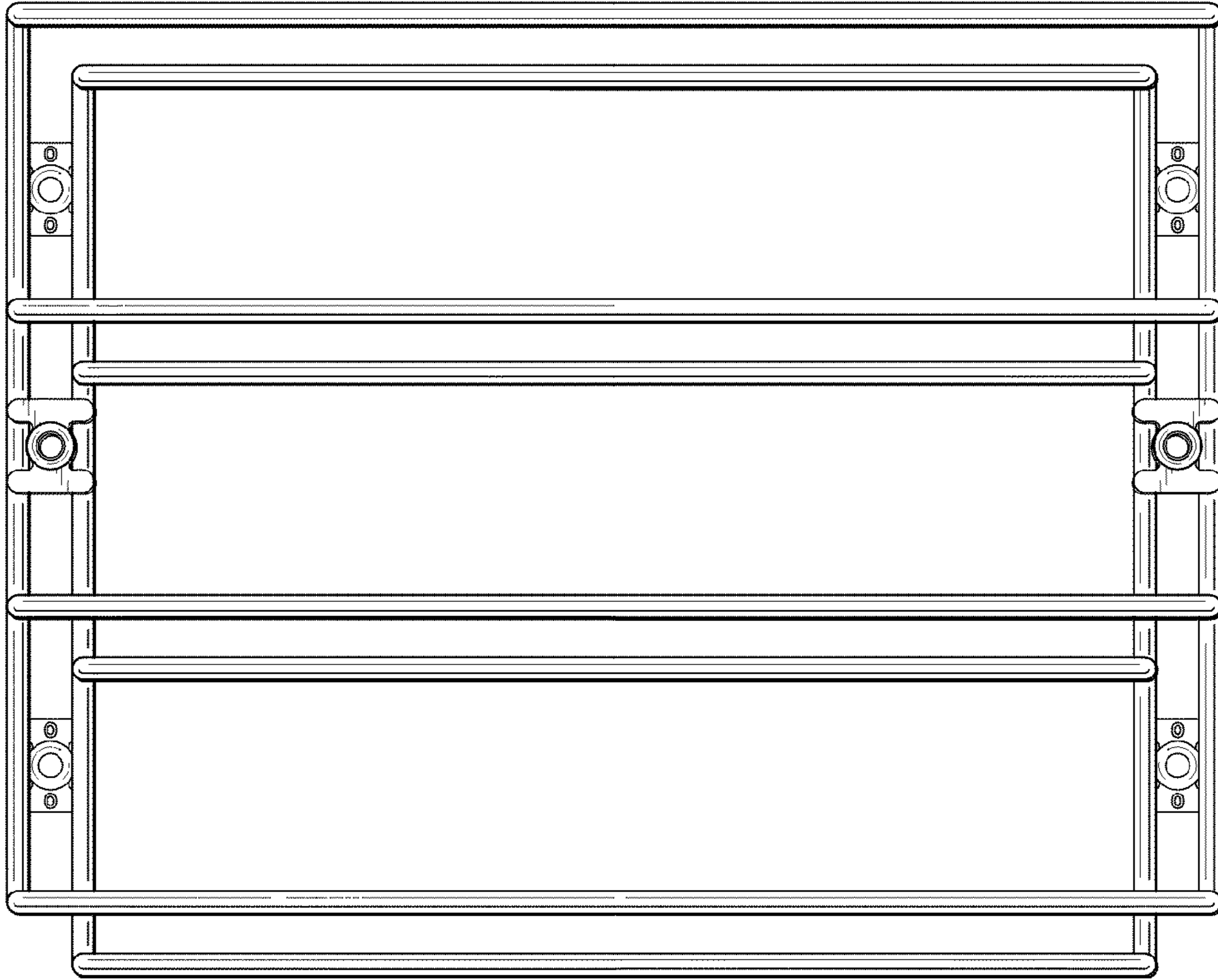


Fig. 2

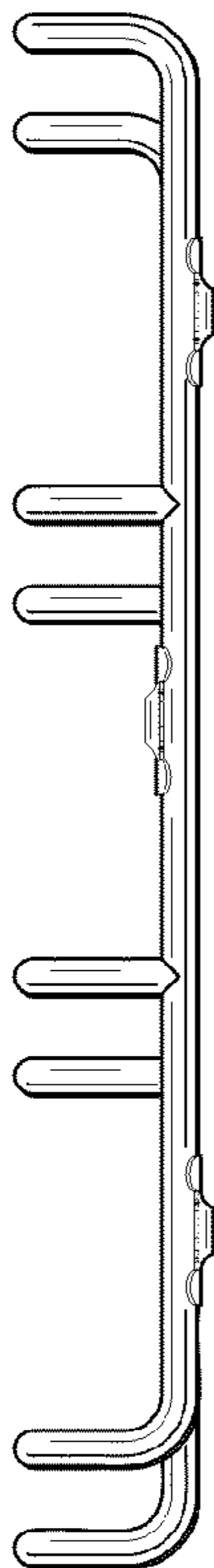


Fig. 3

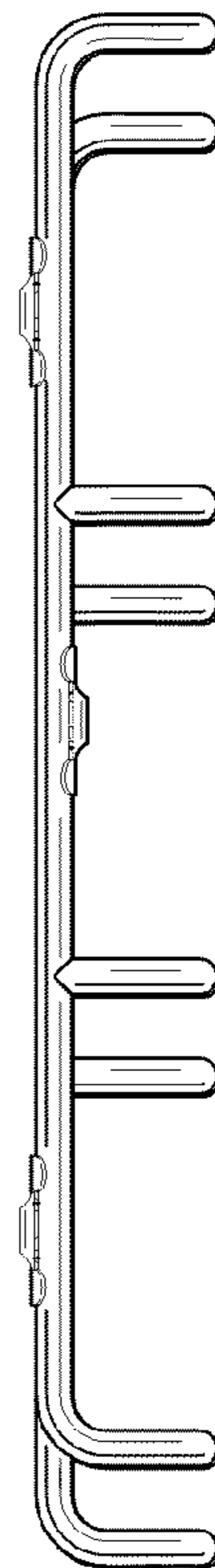


Fig. 4

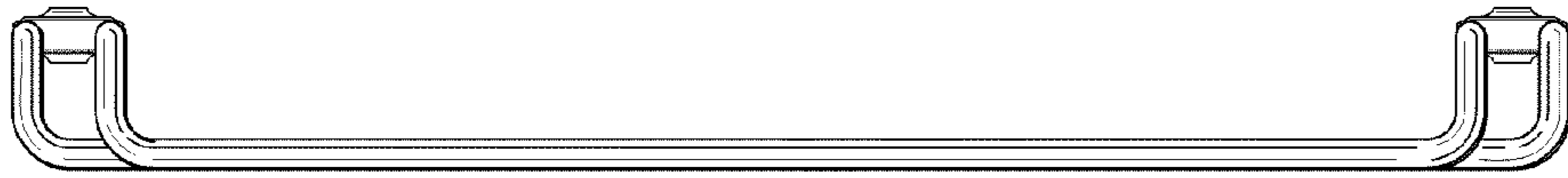


Fig. 5

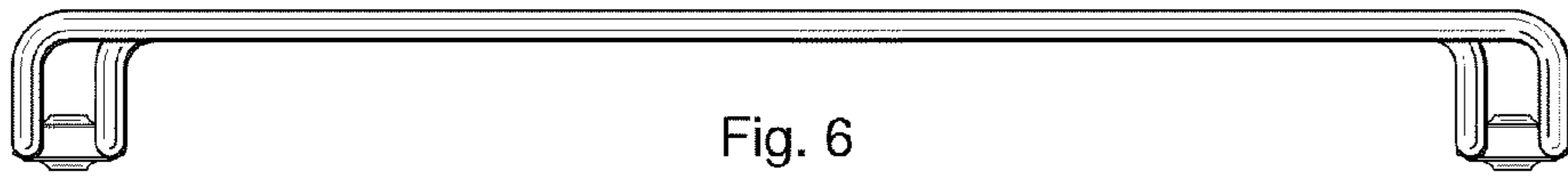


Fig. 6



Fig. 7