



US00D651462S

(12) **United States Design Patent**  
**Browne et al.**

(10) **Patent No.:** **US D651,462 S**  
(45) **Date of Patent:** **\*\* Jan. 3, 2012**

(54) **APPLIANCE WITH A FRONT HAVING THE APPEARANCE OF CHAMFERED SIDES WITH ROUNDED EDGES**

(75) Inventors: **Jeffrey M. Browne**, Benton Harbor, MI (US); **Wyatt A. Cline**, Saint Joseph, MI (US); **Leah Z. Lader**, Mountain View, CA (US); **Joon J. Lee**, Saint Joseph, MI (US); **Jason S. Lind**, Benton Harbor, MI (US); **John W. McConnell**, Chicago, IL (US); **Carl A. Rotter**, Paw Paw, MI (US); **Allen D. Wong**, Saint Joseph, MI (US)

(73) Assignee: **Whirlpool Corporation**, Benton Harbor, MI (US)

(\*\*) Term: **14 Years**

(21) Appl. No.: **29/402,254**

(22) Filed: **Sep. 22, 2011**

**Related U.S. Application Data**

(62) Division of application No. 29/327,514, filed on Nov. 7, 2008.

(51) **LOC (9) Cl.** ..... **07-02**

(52) **U.S. Cl.** ..... **D7/405**

(58) **Field of Classification Search** ..... D7/349, D7/350.1-350.4, 351, 402-408; D15/79-91; D23/315, 372, 386; D32/1-8, 25, 28, 30; 99/327-328, 331-332, 357, 448, 467-468; 62/3.1, 3.6, 3.63, 3.64, 45.1; 126/19 M, 275 R, 126/275 E, 386-387, 756-758; 134/113, 134/135, 200-201; 312/108-109, 236, 352, 312/400-408; D14/441; D3/297, 905; D6/446, D6/448, 470, 474, 491, 492, 494, 510, 509, D6/477, 467, 442, 432; D25/102, 121; D13/184; 40/718; 174/363, 504; 545/251; 52/506.1, 52/11; 361/692

See application file for complete search history.

(56) **References Cited**

U.S. PATENT DOCUMENTS

D326,197	S	*	5/1992	Heiligenthal et al.	.....	D6/474
5,123,874	A	*	6/1992	White, III	.....	454/251
D341,253	S	*	11/1993	Ballman et al.	.....	D3/297
D341,962	S	*	12/1993	Bovermann et al.	.....	D6/492
5,294,748	A	*	3/1994	Schwenk et al.	.....	174/363
D361,681	S	*	8/1995	Calder	.....	D6/494
D361,835	S	*	8/1995	Brandon	.....	D23/372

(Continued)

*Primary Examiner* — T. Chase Nelson

*Assistant Examiner* — Mark Cavanna

(74) *Attorney, Agent, or Firm* — Tara M. Hartman; McGarry Bair PC

(57) **CLAIM**

The ornamental design for an appliance with a front having the appearance of chamfered sides with rounded edges, as shown and described.

**DESCRIPTION**

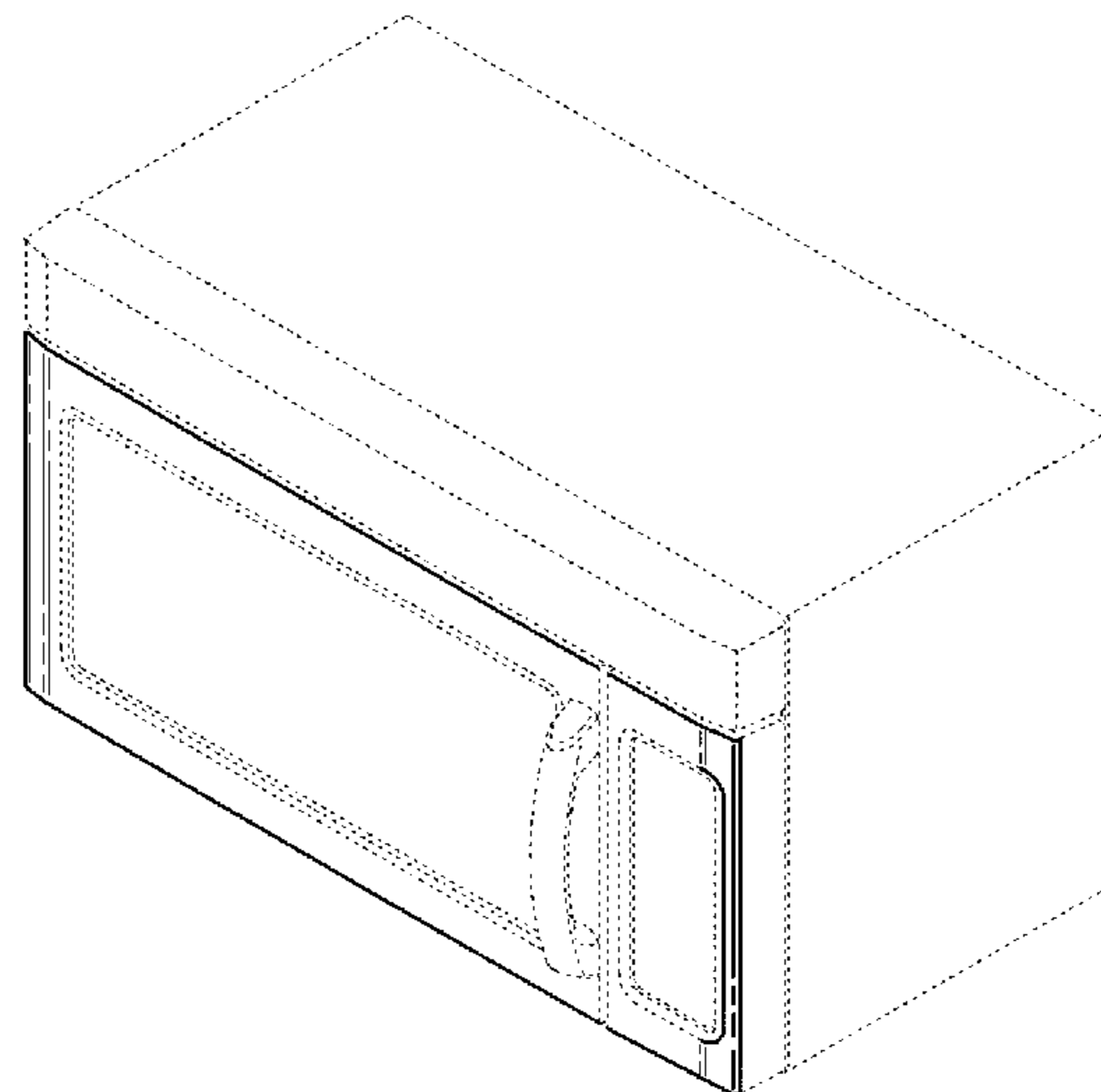
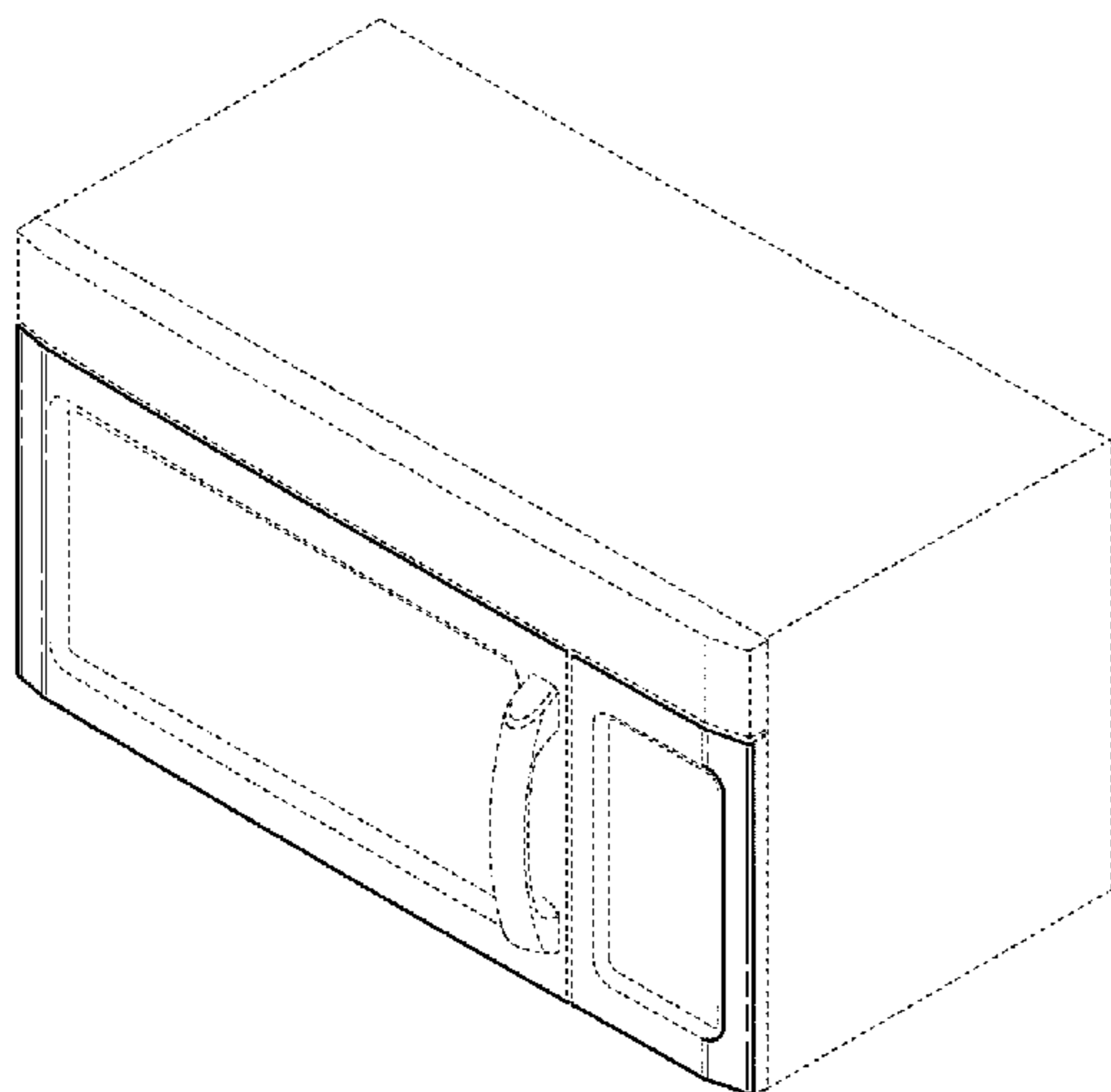
FIG. 1 is a front perspective view of the first embodiment of an appliance with a front having the appearance of chamfered sides with rounded edges illustrated in the environment of a microwave with a door and control panel each having an outer side having the appearance of a chamfered side.

FIG. 2 is a top view of the first embodiment of the appliance of FIG. 1.

FIG. 3 is a front perspective view of the second embodiment of an appliance with a front having the appearance of chamfered sides with rounded edges illustrated in the environment of a microwave with a door and control panel each having an outer side having the appearance of a chamfered side; and, FIG. 4 is a top view of the second embodiment of the appliance of FIG. 3.

The structures depicted by means of broken lines in the figures have been show for illustrative purposes only and form no part of the claimed design.

**1 Claim, 4 Drawing Sheets**



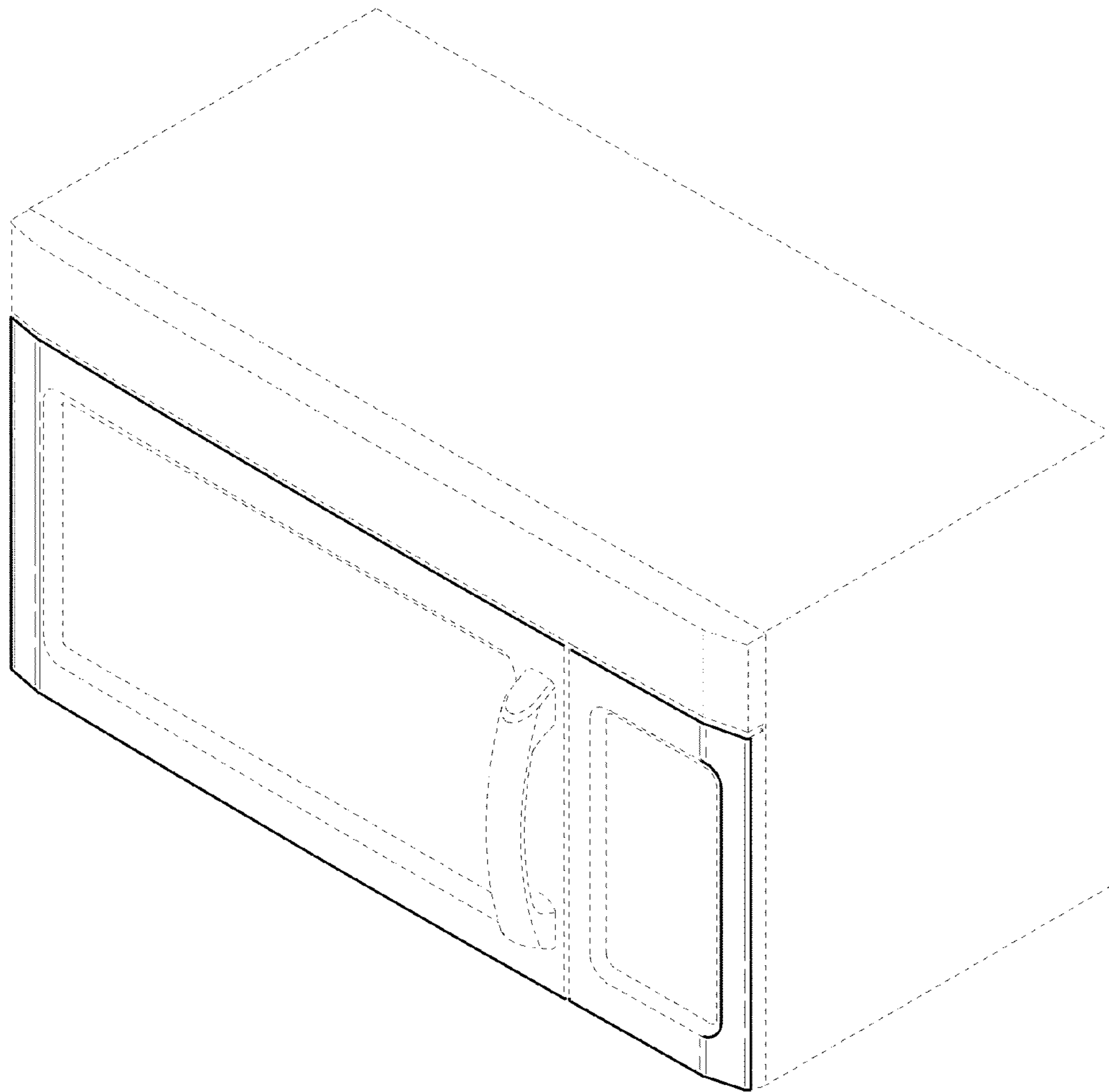
# US D651,462 S

Page 2

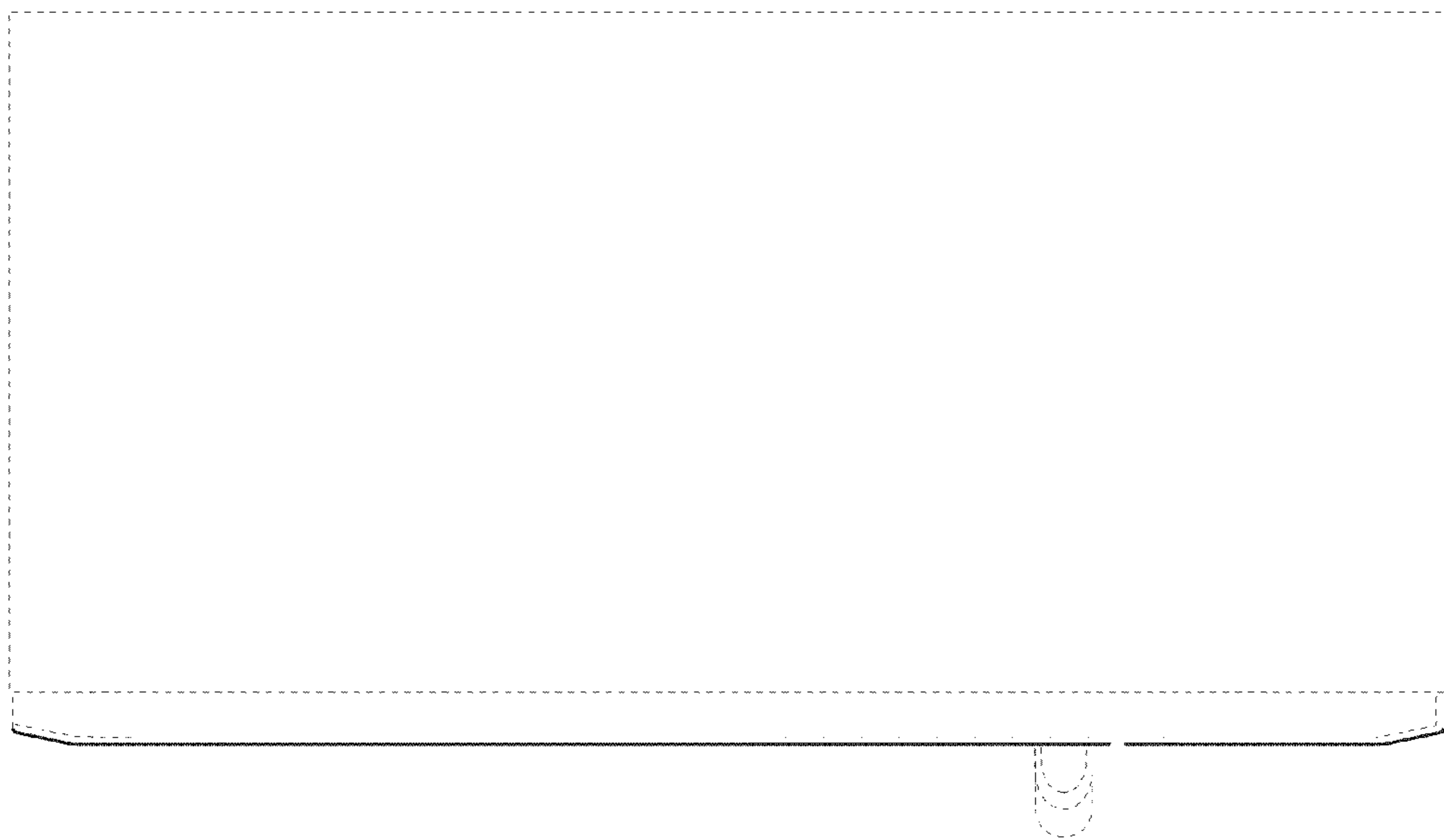
## U.S. PATENT DOCUMENTS

D365,225	S *	12/1995	Poortvliet et al. ....	D6/446	D561,529	S *	2/2008	Suh et al. ....	D7/405
D370,058	S *	5/1996	Bostrom .....	D23/315	D562,362	S *	2/2008	Bissig et al. ....	D15/91
5,787,625	A *	8/1998	Yesbick .....	40/718	D563,439	S *	3/2008	Rosenfelder et al. ....	D15/91
D448,893	S *	10/2001	Costello .....	D32/3	D564,835	S *	3/2008	Crookshanks et al. ....	D7/405
D457,354	S *	5/2002	Reese et al. ....	D6/470	D566,465	S *	4/2008	Crookshanks .....	D7/405
D483,206	S *	12/2003	Schweikarth .....	D6/510	D568,682	S *	5/2008	Crookshanks .....	D7/405
D492,315	S *	6/2004	Gant et al. ....	D14/441	D569,065	S *	5/2008	Ritterling .....	D32/25
D516,758	S *	3/2006	Kirk .....	D32/3	D569,178	S *	5/2008	Crookshanks .....	D7/405
D516,848	S *	3/2006	Schweikarth .....	D6/510	D569,686	S *	5/2008	Martin et al. ....	D7/405
D517,252	S *	3/2006	Kirk .....	D32/3	D572,527	S *	7/2008	Crookshanks .....	D7/405
D519,689	S *	4/2006	Ott et al. ....	D32/3	D572,528	S *	7/2008	Crookshanks .....	D7/405
D525,830	S *	8/2006	Pryor .....	D7/405	D572,529	S *	7/2008	Crookshanks et al. ....	D7/405
D527,948	S *	9/2006	Bengtson .....	D7/405	D572,530	S *	7/2008	Crookshanks et al. ....	D7/405
D530,152	S *	10/2006	Pryor .....	D7/405	D575,560	S *	8/2008	English .....	D6/491
D535,834	S *	1/2007	Bixby et al. ....	D6/448	D579,245	S *	10/2008	Daino et al. ....	D6/510
D538,983	S *	3/2007	Green et al. ....	D32/3	D590,425	S *	4/2009	Rosenfelder et al. ....	D15/91
D539,994	S *	4/2007	Pezzetta et al. ....	D32/3	D592,009	S *	5/2009	Crookshanks .....	D7/405
D549,408	S *	8/2007	Lee .....	D32/25	2003/0106702	A1 *	6/2003	Seamans et al. ....	174/48
D550,726	S *	9/2007	Rand et al. ....	D15/91	2007/0094958	A1 *	5/2007	Rogers .....	52/211
D555,976	S *	11/2007	Baldwin .....	D7/405	2009/0185346	A1 *	7/2009	Cairo et al. ....	361/692
D558,409	S *	12/2007	Pezzetta et al. ....	D32/3	2009/0313935	A1 *	12/2009	Montgomery .....	52/506.1

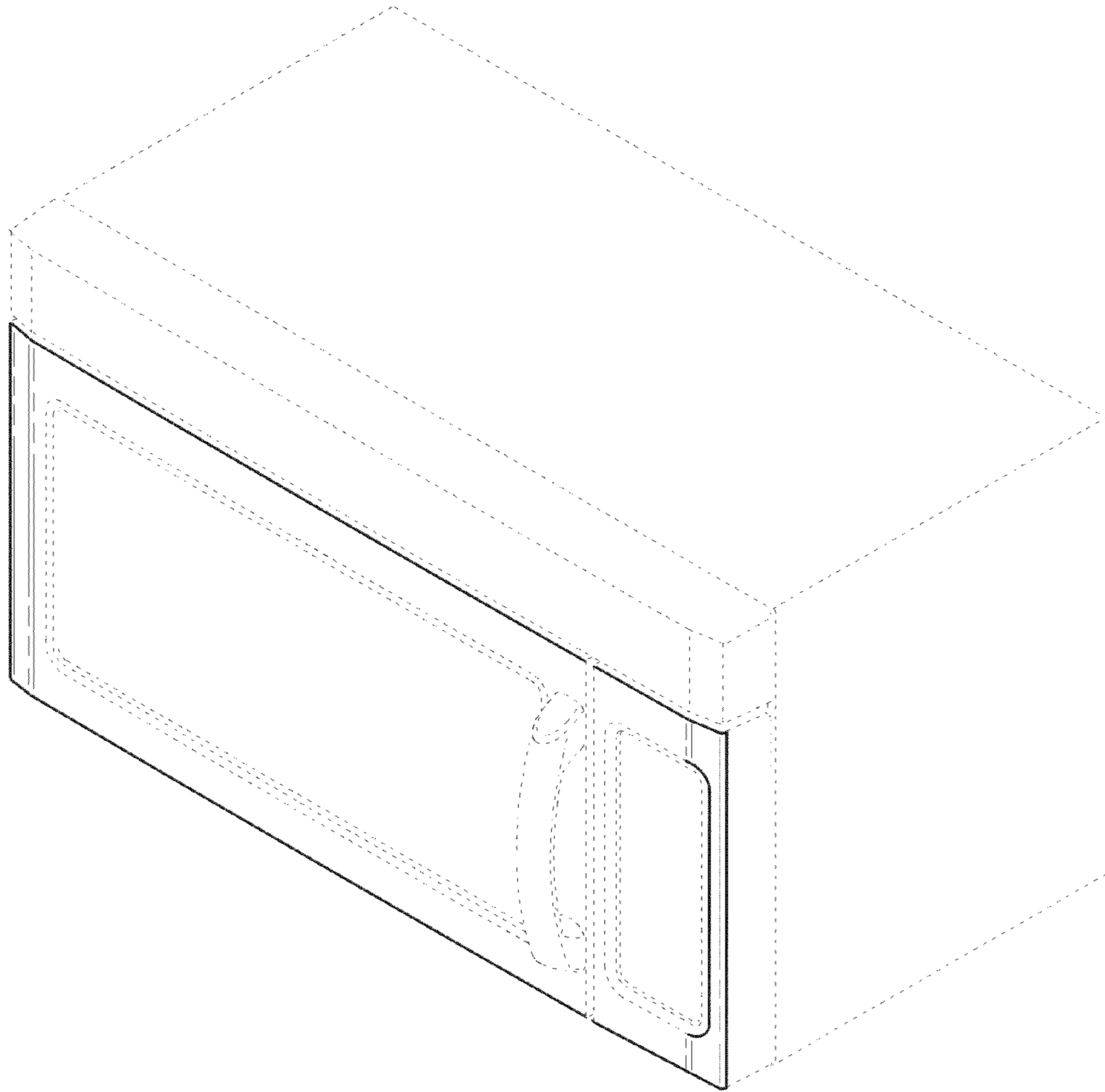
\* cited by examiner



**Fig. 1**



**Fig. 2**



**Fig. 3**



**Fig. 4**