



US00D651461S

(12) **United States Design Patent**
Browne et al.

(10) **Patent No.:** **US D651,461 S**
(45) **Date of Patent:** **** Jan. 3, 2012**

(54) **APPLIANCE WITH A FRONT HAVING THE APPEARANCE OF CHAMFERED SIDES WITH ROUNDED EDGES**

(75) Inventors: **Jeffrey M. Browne**, Benton Harbor, MI (US); **Wyatt A. Cline**, Saint Joseph, MI (US); **Leah Z. Lader**, Mountain View, CA (US); **Joon J. Lee**, Saint Joseph, MI (US); **Jason S. Lind**, Benton Harbor, MI (US); **John W. McConnell**, Chicago, IL (US); **Carl A. Rotter**, Paw Paw, MI (US); **Allen D. Wong**, Saint Joseph, MI (US)

(73) Assignee: **Whirlpool Corporation**, Benton Harbor, MI (US)

(**) Term: **14 Years**

(21) Appl. No.: **29/402,248**

(22) Filed: **Sep. 22, 2011**

Related U.S. Application Data

(62) Division of application No. 29/327,514, filed on Nov. 7, 2008.

(51) **LOC (9) Cl.** **07-02**

(52) **U.S. Cl.** **D7/405**

(58) **Field of Classification Search** D7/349, D7/350.1-350.4, 351, 402-408; D15/79-91; D23/315, 372, 386; D32/1-8, 25, 28, 30; 99/327-328, 331-332, 357, 448, 467-468; 62/3.1, 3.6, 3.63, 3.64, 45.1; 126/19 M, 275 R, 126/275 E, 386-387, 756-758; 134/113, 134/135, 200-201; 312/108-109, 236, 352, 312/400-408; D14/441; D3/297, 905; D6/446, D6/448, 470, 474, 491, 492, 494, 510, 509, D6/477, 467, 442, 432; D25/102, 121; D13/184; 40/718; 174/363, 504; 545/251; 52/506.1, 52/11; 361/692

See application file for complete search history.

(56) **References Cited**

U.S. PATENT DOCUMENTS

D326,197	S	*	5/1992	Heiligenthal et al.	D6/474
5,123,874	A	*	6/1992	White, III	454/251
D341,253	S	*	11/1993	Ballman et al.	D3/297
D341,962	S	*	12/1993	Bovermann et al.	D6/492
5,294,748	A	*	3/1994	Schwenk et al.	174/363
D361,681	S	*	8/1995	Calder	D6/494

(Continued)

Primary Examiner — T. Chase Nelson

Assistant Examiner — Mark Cavanna

(74) *Attorney, Agent, or Firm* — Tara M. Hartman; McGarry Bair PC

(57) **CLAIM**

The ornamental design for an appliance with a front having the appearance of chamfered sides with rounded edges, as shown and described.

DESCRIPTION

FIG. 1 is a front perspective view of the first embodiment of an appliance with a front having the appearance of chamfered sides with rounded edges illustrated in the environment of a range with an upper door and lower drawer, each of which having the appearance of chamfered sides with rounded edges, which collectively form continuous chamfered sides with rounded edges.

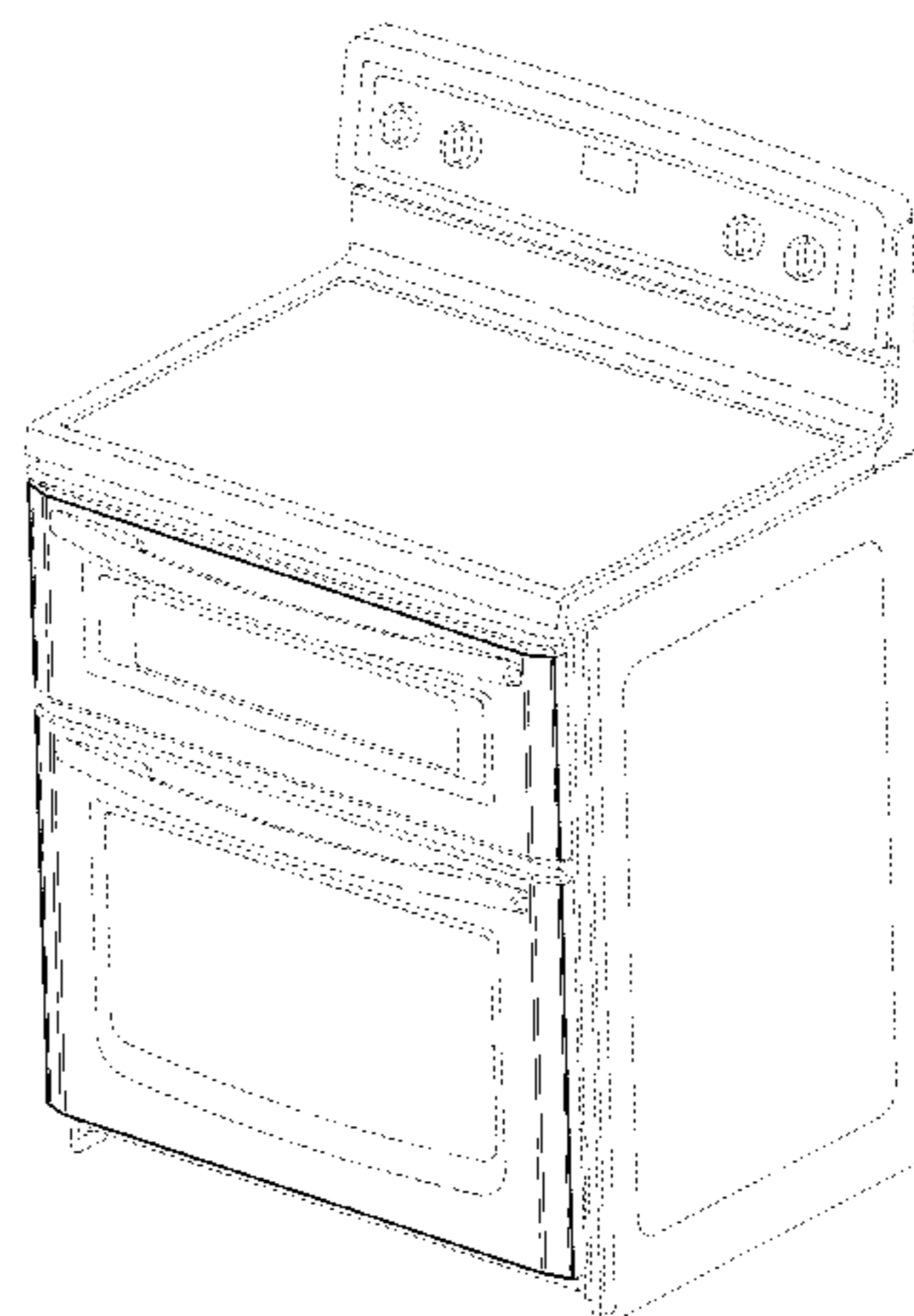
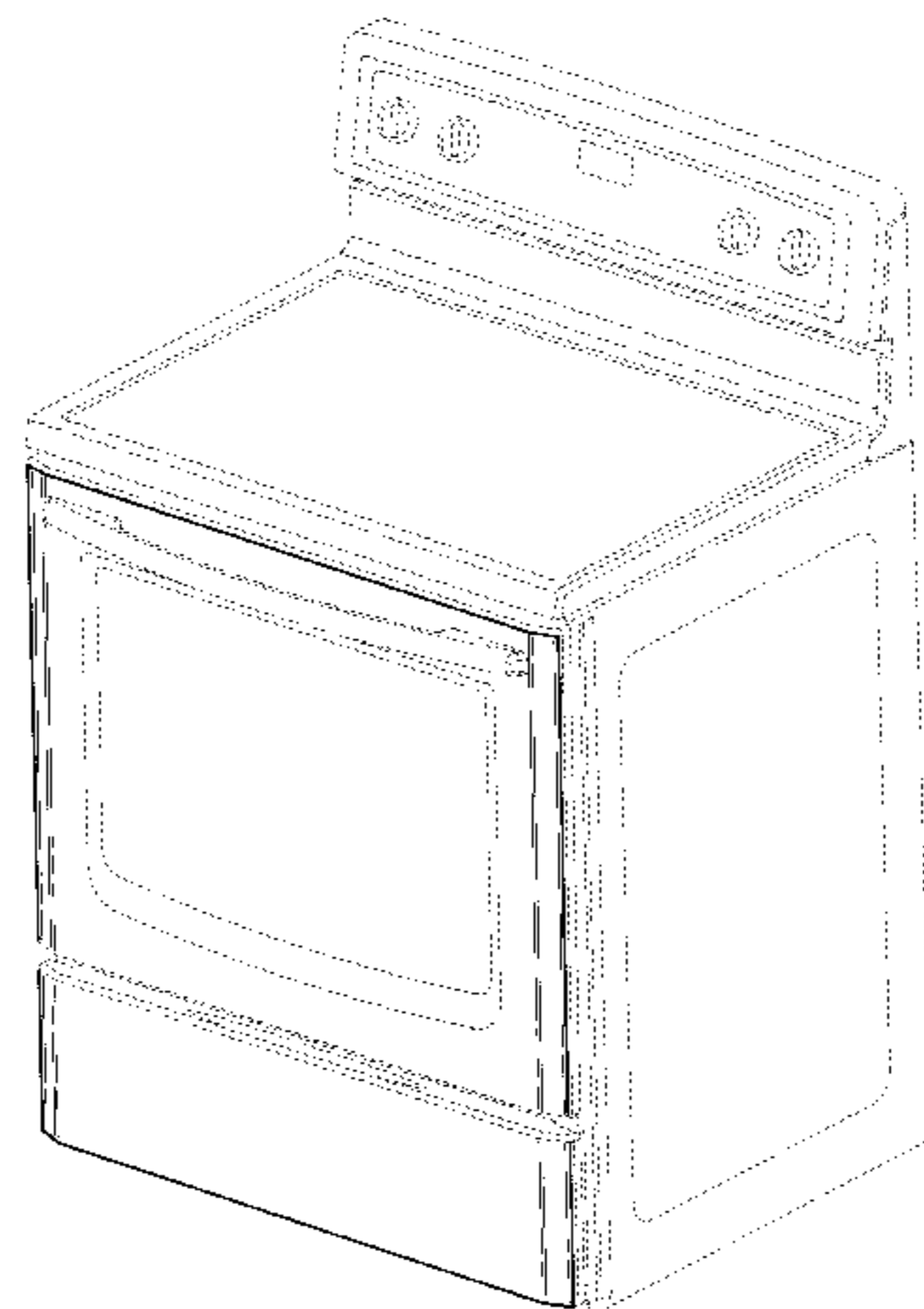
FIG. 2 is a top view of the first embodiment of the appliance of FIG. 1.

FIG. 3 is a front perspective view of the second embodiment of an appliance with a front having the appearance of chamfered sides with rounded edges illustrated in the environment of a range with upper doors, each of which having the appearance of chamfered sides with rounded edges, which collectively form continuous chamfered sides with rounded edges; and,

FIG. 4 is a top view of the second embodiment of the appliance of FIG. 3.

The structures depicted by means of broken lines in the figures have been show for illustrative purposes only and form no part of the claimed design.

1 Claim, 4 Drawing Sheets



US D651,461 S

Page 2

U.S. PATENT DOCUMENTS

D361,835	S *	8/1995	Brandon	D23/372
D365,225	S *	12/1995	Poortvliet et al.	D6/446
D370,058	S *	5/1996	Bostrom	D23/315
5,787,625	A *	8/1998	Yesbick	40/718
D448,893	S *	10/2001	Costello	D32/3
D457,354	S *	5/2002	Reese et al.	D6/470
D483,206	S *	12/2003	Schweikarth	D6/510
D492,315	S *	6/2004	Gant et al.	D14/441
D516,758	S *	3/2006	Kirk	D32/3
D516,848	S *	3/2006	Schweikarth	D6/510
D517,252	S *	3/2006	Kirk	D32/3
D519,689	S *	4/2006	Ott et al.	D32/3
D525,830	S *	8/2006	Pryor	D7/405
D527,948	S *	9/2006	Bengtson	D7/405
D530,152	S *	10/2006	Pryor	D7/405
D535,834	S *	1/2007	Bixby et al.	D6/448
D538,983	S *	3/2007	Green et al.	D32/3
D539,994	S *	4/2007	Pezzetta et al.	D32/3
D549,408	S *	8/2007	Lee	D32/25
D550,726	S *	9/2007	Rand et al.	D15/91
D555,976	S *	11/2007	Baldwin	D7/405
D558,409	S *	12/2007	Pezzetta et al.	D32/3
D561,529	S *	2/2008	Suh et al.	D7/405
D562,362	S *	2/2008	Bissig et al.	D15/91
D563,439	S *	3/2008	Rosenfelder et al.	D15/91
D564,835	S *	3/2008	Crookshanks et al.	D7/405
D566,465	S *	4/2008	Crookshanks	D7/405
D568,682	S *	5/2008	Crookshanks	D7/405
D569,065	S *	5/2008	Ritterling	D32/25
D569,178	S *	5/2008	Crookshanks	D7/405
D569,686	S *	5/2008	Martin et al.	D7/405
D572,527	S *	7/2008	Crookshanks	D7/405
D572,528	S *	7/2008	Crookshanks	D7/405
D572,529	S *	7/2008	Crookshanks et al.	D7/405
D572,530	S *	7/2008	Crookshanks et al.	D7/405
D575,560	S *	8/2008	English	D6/491
D579,245	S *	10/2008	Daino et al.	D6/510
D590,425	S *	4/2009	Rosenfelder et al.	D15/91
D592,009	S *	5/2009	Crookshanks	D7/405
2003/0106702	A1 *	6/2003	Seamans et al.	174/48
2007/0094958	A1 *	5/2007	Rogers	52/211
2009/0185346	A1 *	7/2009	Cairo et al.	361/692
2009/0313935	A1 *	12/2009	Montgomery	52/506.1

* cited by examiner

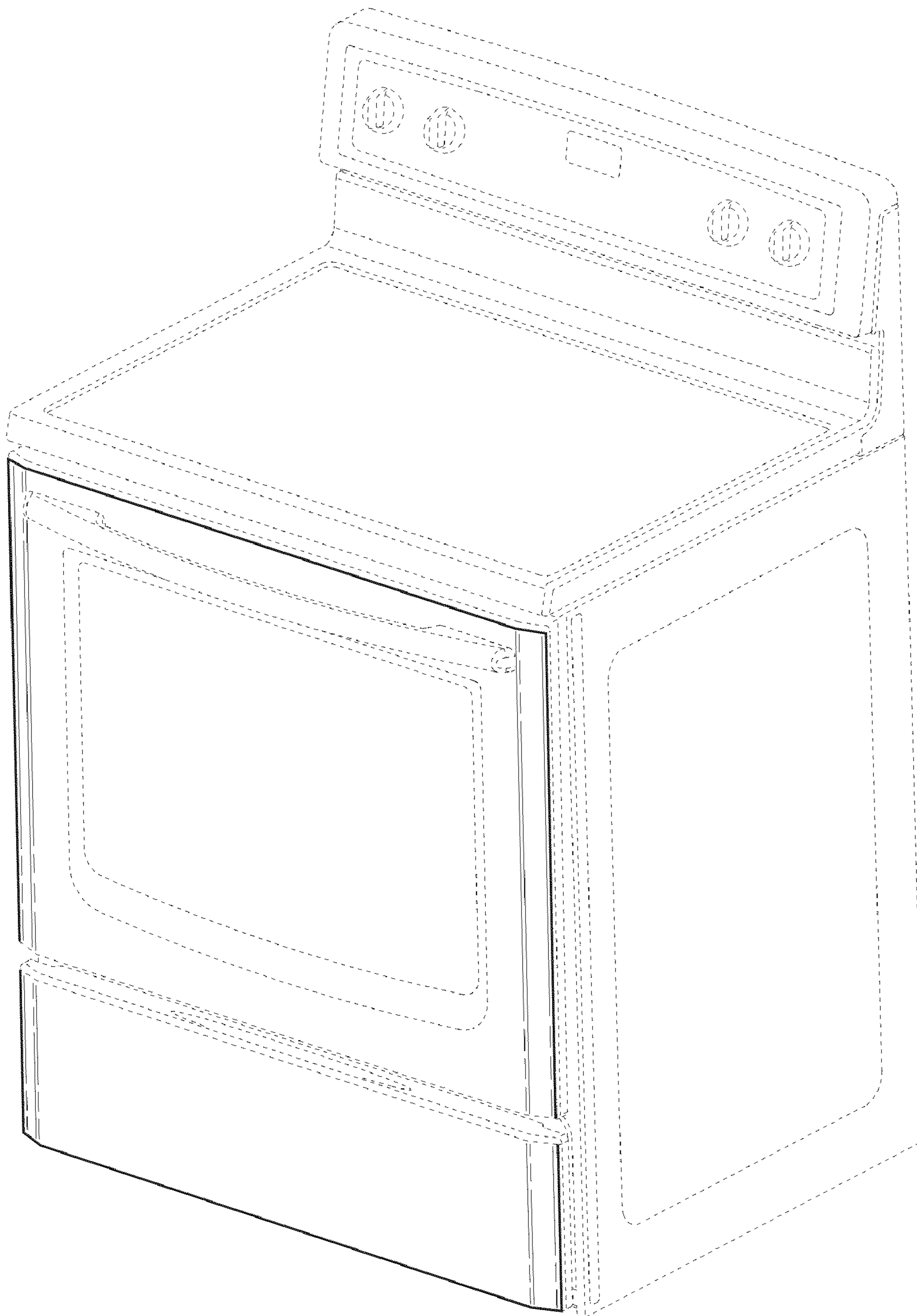


Fig. 1

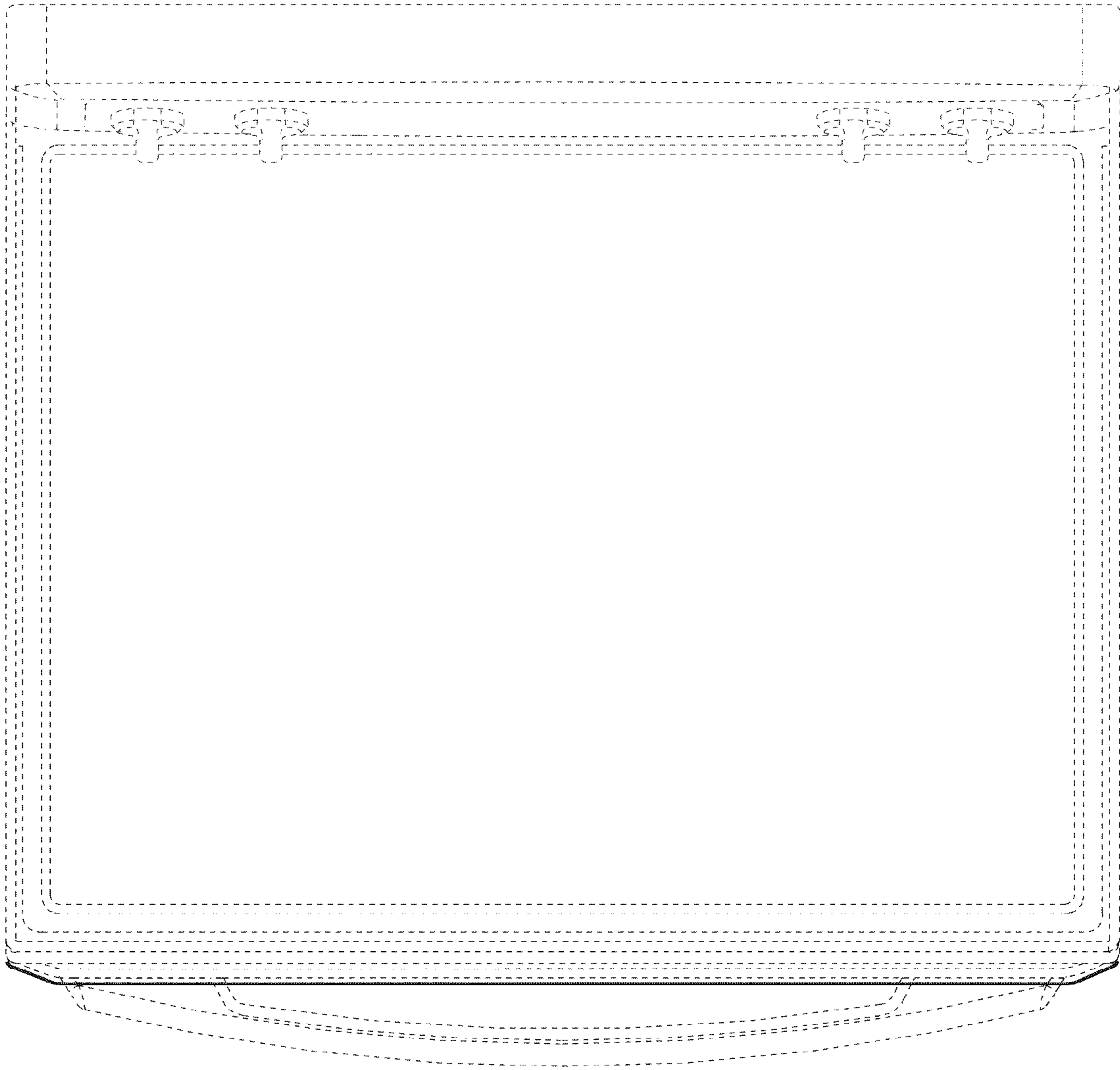


Fig. 2

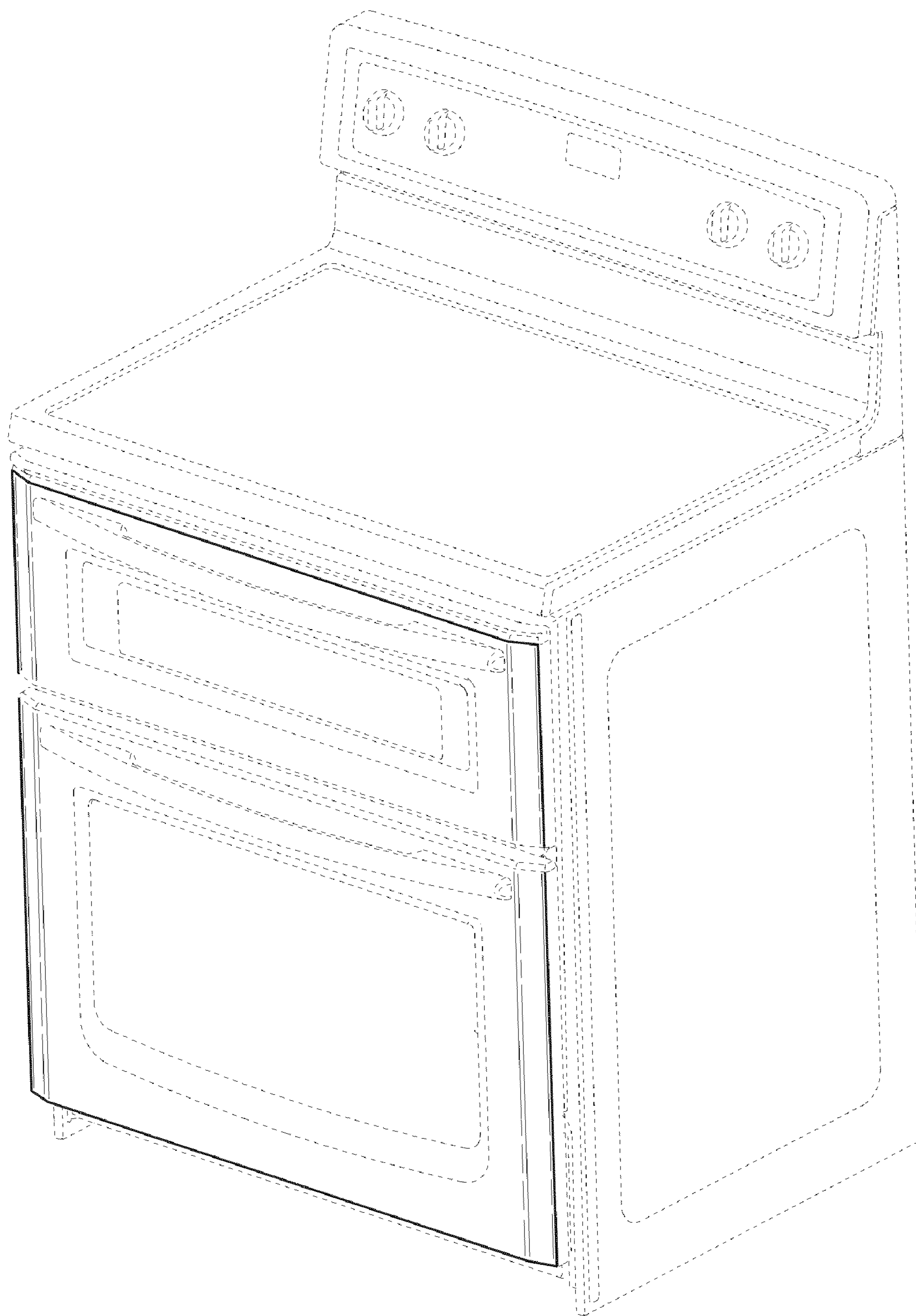


Fig. 3

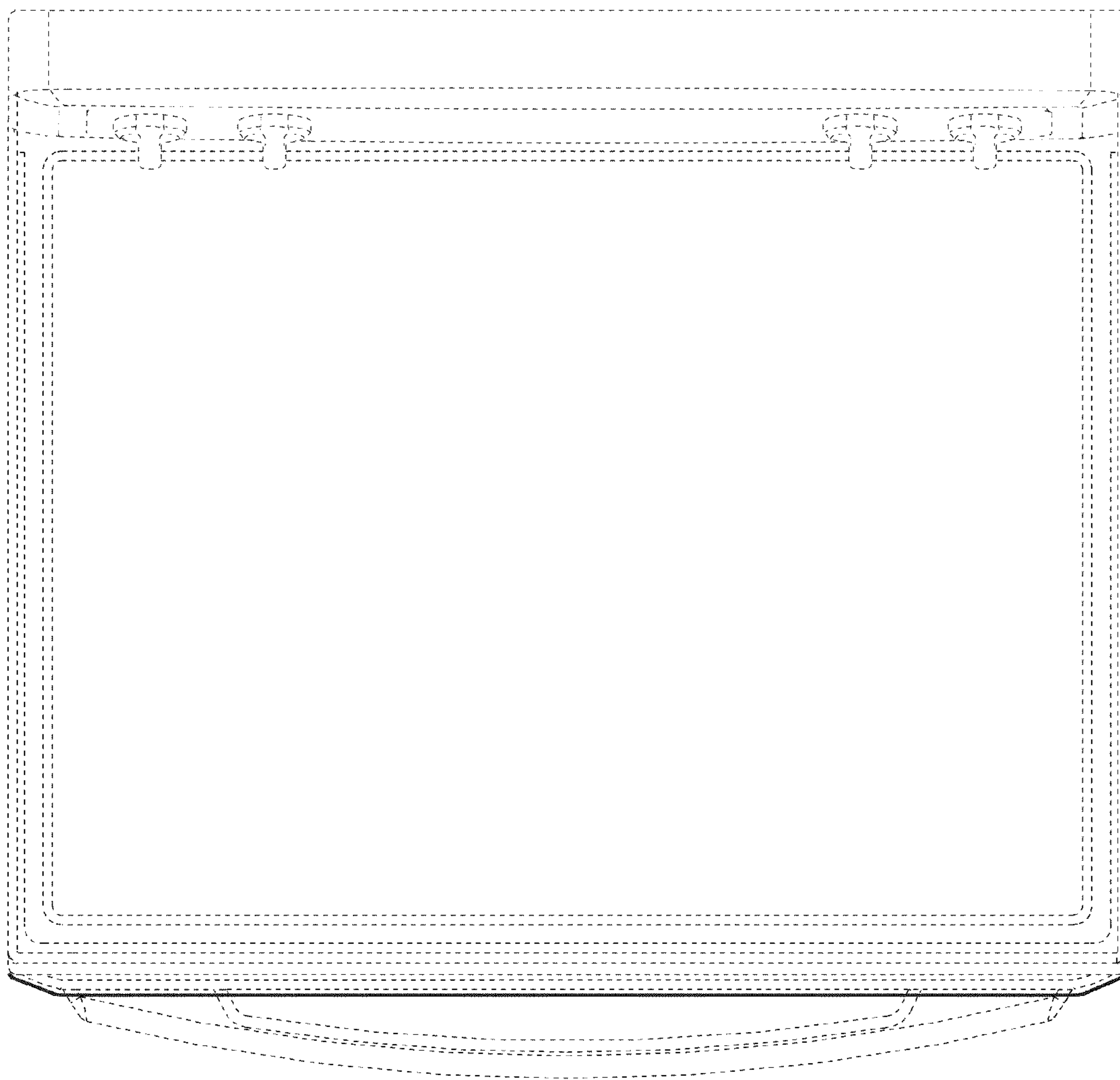


Fig. 4