



US00D651460S

(12) **United States Design Patent**
Sadtler

(10) **Patent No.:** **US D651,460 S**
(45) **Date of Patent:** **** Jan. 3, 2012**

(54) **STEAM OVEN**

(75) Inventor: **Graham Sadtler**, Huntington Beach, CA (US)

(73) Assignee: **BSH Home Appliances Corporation**, Huntington Beach, CA (US)

(**) Term: **14 Years**

(21) Appl. No.: **29/396,027**

(22) Filed: **Jun. 24, 2011**

Related U.S. Application Data

(62) Division of application No. 29/379,578, filed on Nov. 22, 2010, now Pat. No. Des. 645,703, which is a division of application No. 29/366,174, filed on Jul. 21, 2010, now Pat. No. Des. 633,336.

(51) **LOC (9) Cl.** **07-02**

(52) **U.S. Cl.** **D7/405**

(58) **Field of Classification Search** D7/339-441;
126/19 R, 21 A, 21 R, 39 B, 39 C, 239 R,
126/273 A, 273 R; 219/391-394, 756-758;
99/DIG. 14; D32/3
See application file for complete search history.

(56) **References Cited**

U.S. PATENT DOCUMENTS

D175,184 S *	7/1955	Lachey et al.	D7/405
D379,734 S *	6/1997	Baldwin	D7/405
D399,390 S *	10/1998	Baldwin	D7/405
D423,287 S *	4/2000	Marchand	D7/405
D429,953 S *	8/2000	Orzel et al.	D7/405

D512,873 S *	12/2005	Grutzke et al.	D7/405
D516,379 S *	3/2006	Grutzke et al.	D7/405
D516,862 S *	3/2006	Grutzke et al.	D7/405
D521,805 S *	5/2006	Hessen et al.	D7/405
D555,976 S *	11/2007	Baldwin	D7/405
D566,465 S *	4/2008	Crookshanks	D7/405
D570,156 S *	6/2008	Laundroche	D7/405
D571,149 S *	6/2008	Crookshanks	D7/405
D586,618 S *	2/2009	Cutino	D7/405
D592,009 S *	5/2009	Crookshanks	D7/405
D622,914 S *	8/2010	Crookshanks et al.	D32/3

* cited by examiner

Primary Examiner — T. Chase Nelson

Assistant Examiner — Mark Cavanna

(74) *Attorney, Agent, or Firm* — James E. Howard; Andre Pallapies

(57) **CLAIM**

The ornamental design for steam oven, as shown and described.

DESCRIPTION

FIG. 1 is a perspective view from the front, right of steam oven showing my new design;
FIG. 2 is a front view thereof;
FIG. 3 is a top view thereof, with the bottom view being a mirror image thereof (with the exception of the unclaimed handle); and,
FIG. 4 is a right side view thereof, with the left side view thereof being a mirror image thereof.
The broken lines represent portions of the steam oven that do not form any part of the claimed design.
The rear of the steam oven is unornamented and unclaimed.

1 Claim, 4 Drawing Sheets

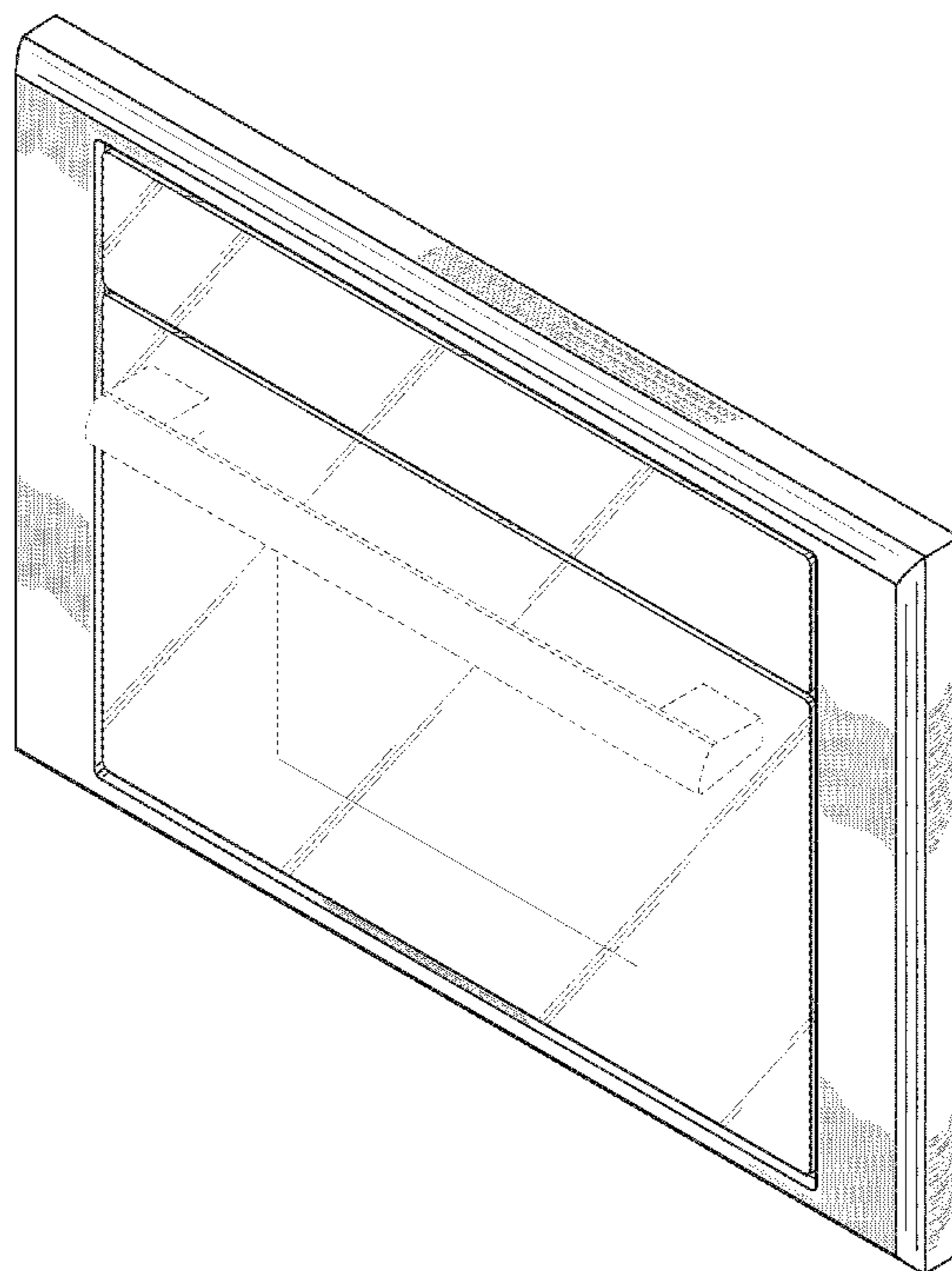
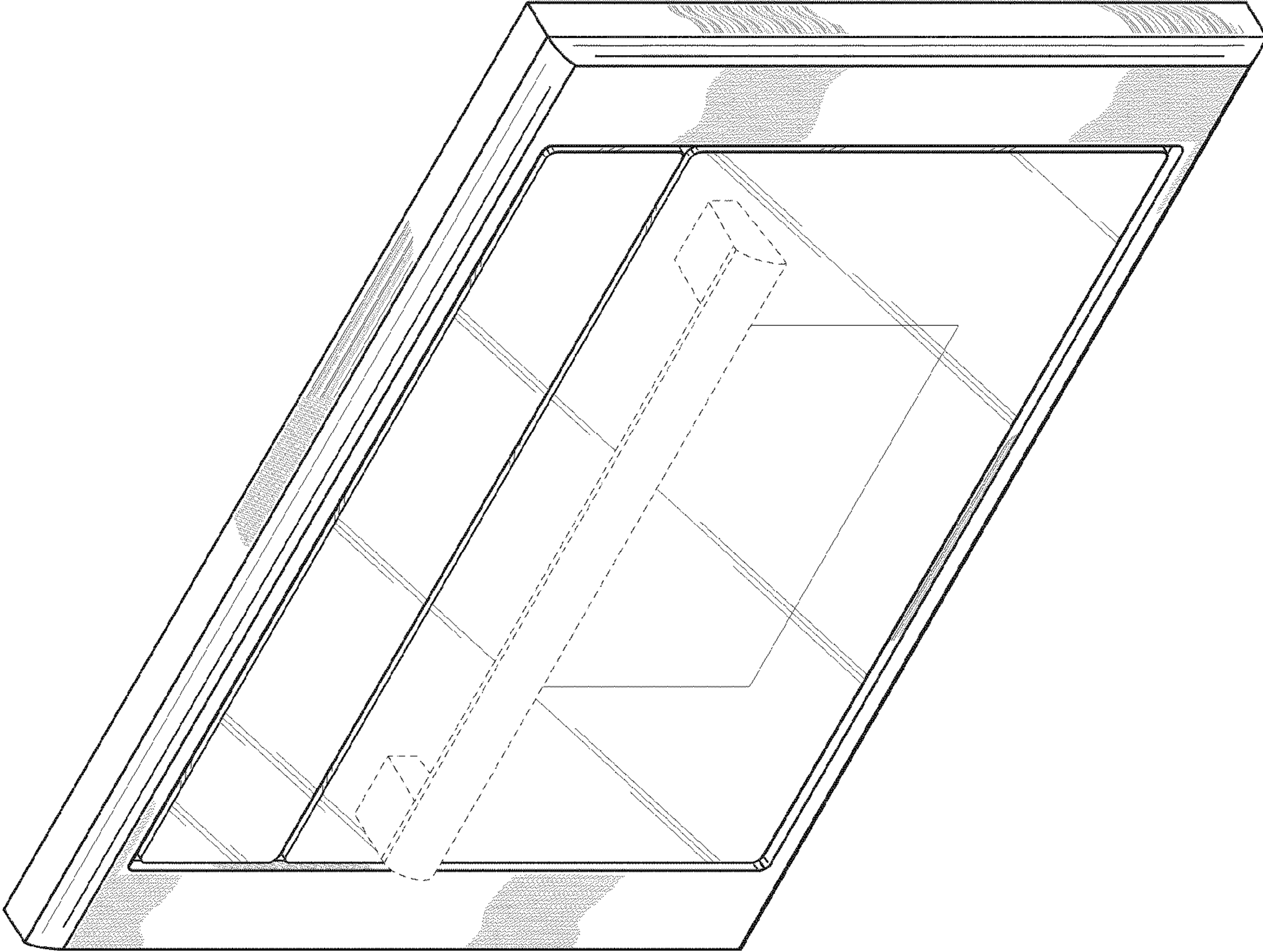


Fig. 1



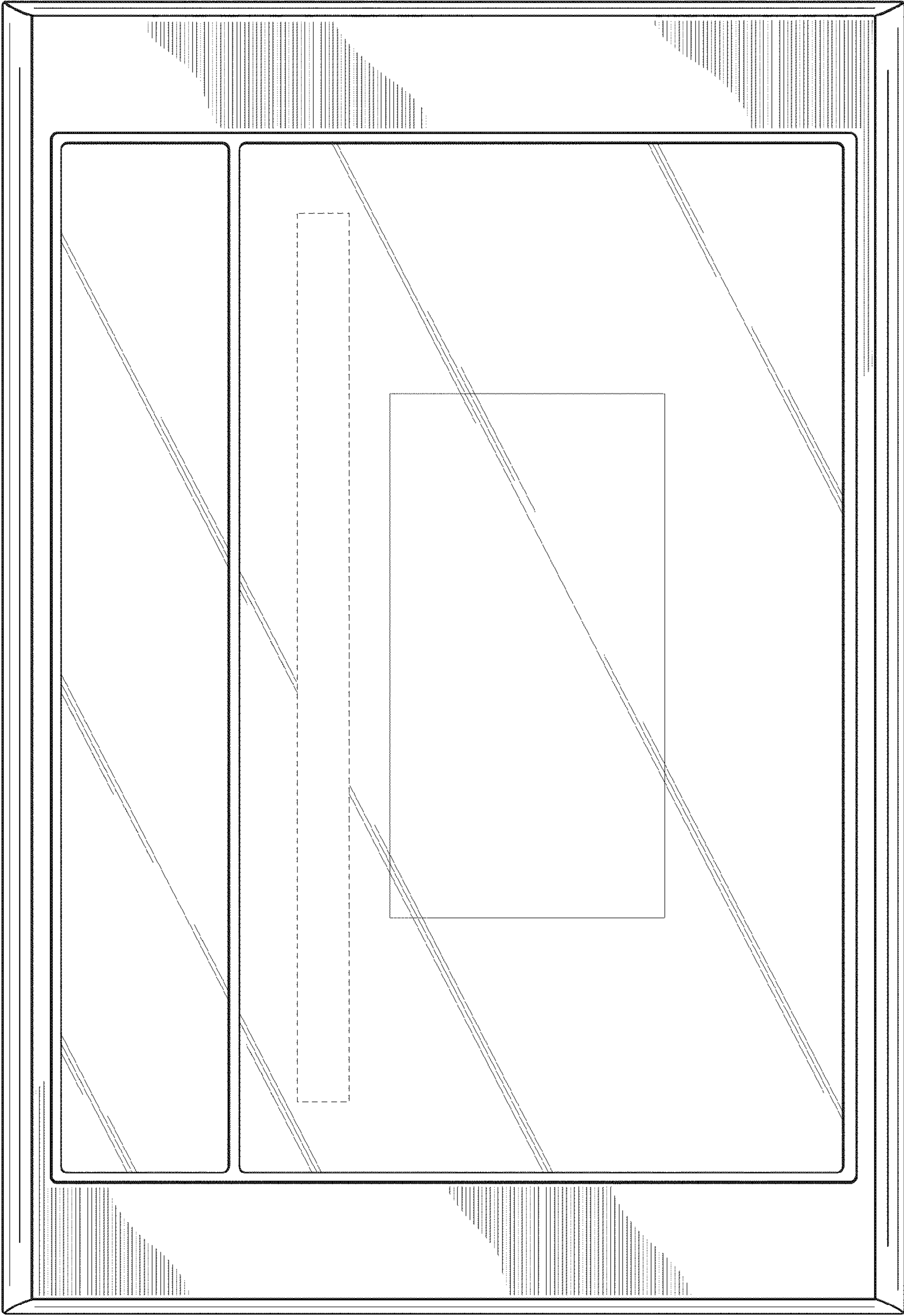


Fig. 2

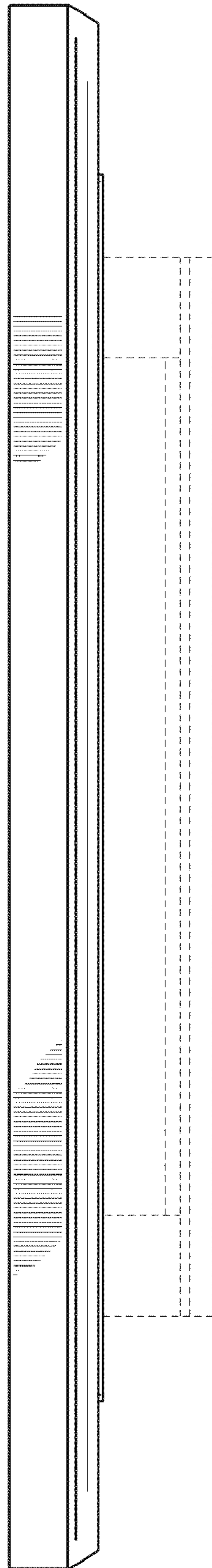


Fig. 3

Fig. 4

